



US00D630335S

(12) **United States Design Patent**
Wise et al.

(10) **Patent No.:** **US D630,335 S**

(45) **Date of Patent:** **** Jan. 4, 2011**

(54) **COLLAR APPARATUS SET FOR RETAINING
A COLD OR HOT PACK**

(76) Inventors: **Renee Wise**, 1112 Willoughby Rd.,
Monroe, NC (US) 28110; **Richard M.
Rucker**, 1112 Willoughby Rd., Monroe,
NC (US) 28110

(**) Term: **14 Years**

(21) Appl. No.: **29/355,595**

(22) Filed: **Feb. 10, 2010**

(51) **LOC (9) Cl.** **24-04**

(52) **U.S. Cl.** **D24/206; D24/207**

(58) **Field of Classification Search** D24/206–208,
D24/189–192; 602/1–7, 17–27, 61–66, 74;
128/95.1, 96, 197.1, 100.1, 101.1, 876; 606/204,
606/27; 607/96, 108, 109, 111, 112; D29/101.2,
D29/101.5, 120.1, 121.1; D3/327
See application file for complete search history.

(56) **References Cited**

U.S. PATENT DOCUMENTS

4,381,025	A *	4/1983	Schooley	607/112
4,475,543	A *	10/1984	Brooks et al.	602/19
4,527,566	A	7/1985	Abare	
4,576,169	A	3/1986	Williams	
4,641,655	A	2/1987	Abt	
4,645,498	A *	2/1987	Kosak	607/112
4,676,247	A	6/1987	Van Cleve	
4,805,619	A	2/1989	Swearingen	
4,832,030	A	5/1989	De Canto	
5,005,374	A *	4/1991	Spitler	607/108
5,148,804	A *	9/1992	Hill et al.	607/108

5,247,928	A	9/1993	Stilts, Jr.	
D369,866	S	5/1996	Baughn	
D405,534	S *	2/1999	Hall	D24/206
D426,308	S *	6/2000	Negron	D24/189
D435,911	S *	1/2001	Yeager	D24/206
D438,974	S *	3/2001	Crapps	D24/206
6,503,216	B1 *	1/2003	Thibodo, Jr.	602/21
6,537,308	B2 *	3/2003	Burkhart	607/109
D492,789	S *	7/2004	Stassi et al.	D24/207
7,393,336	B2 *	7/2008	Sloot	602/60
2005/0177925	A1	8/2005	Peeples	
2007/0106350	A1	5/2007	Carstens	

* cited by examiner

Primary Examiner—David G Muller

(57) **CLAIM**

The ornamental design for a collar apparatus set for retaining a cold or hot pack, as shown and described.

DESCRIPTION

FIG. 1 is a perspective view of a collar apparatus set for retaining a cold or hot pack showing my new design;

FIG. 2 is a front elevation view thereof;

FIG. 3 is a rear elevation view thereof;

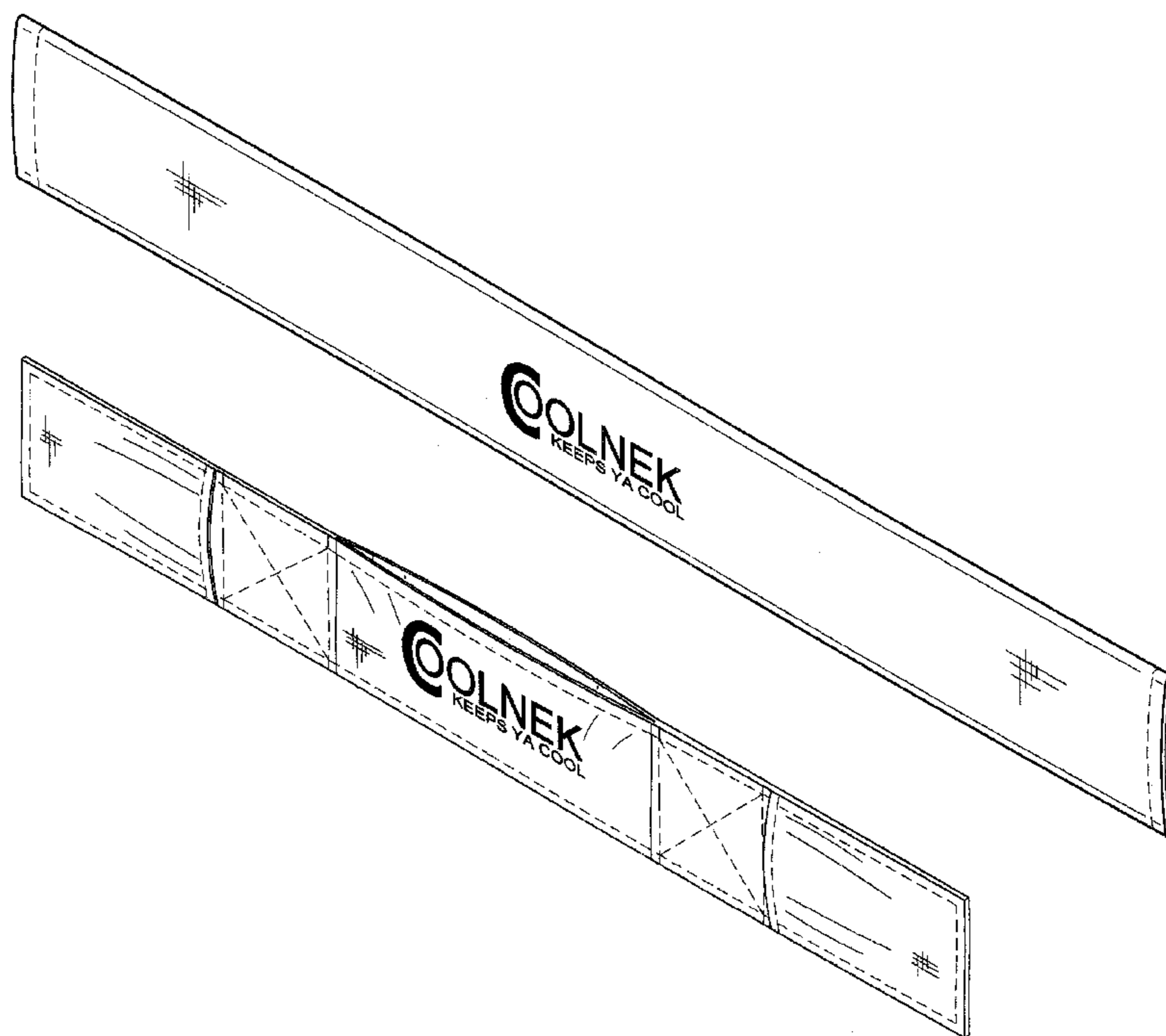
FIG. 4 is a side elevation view thereof, the opposite side view being a mirror image;

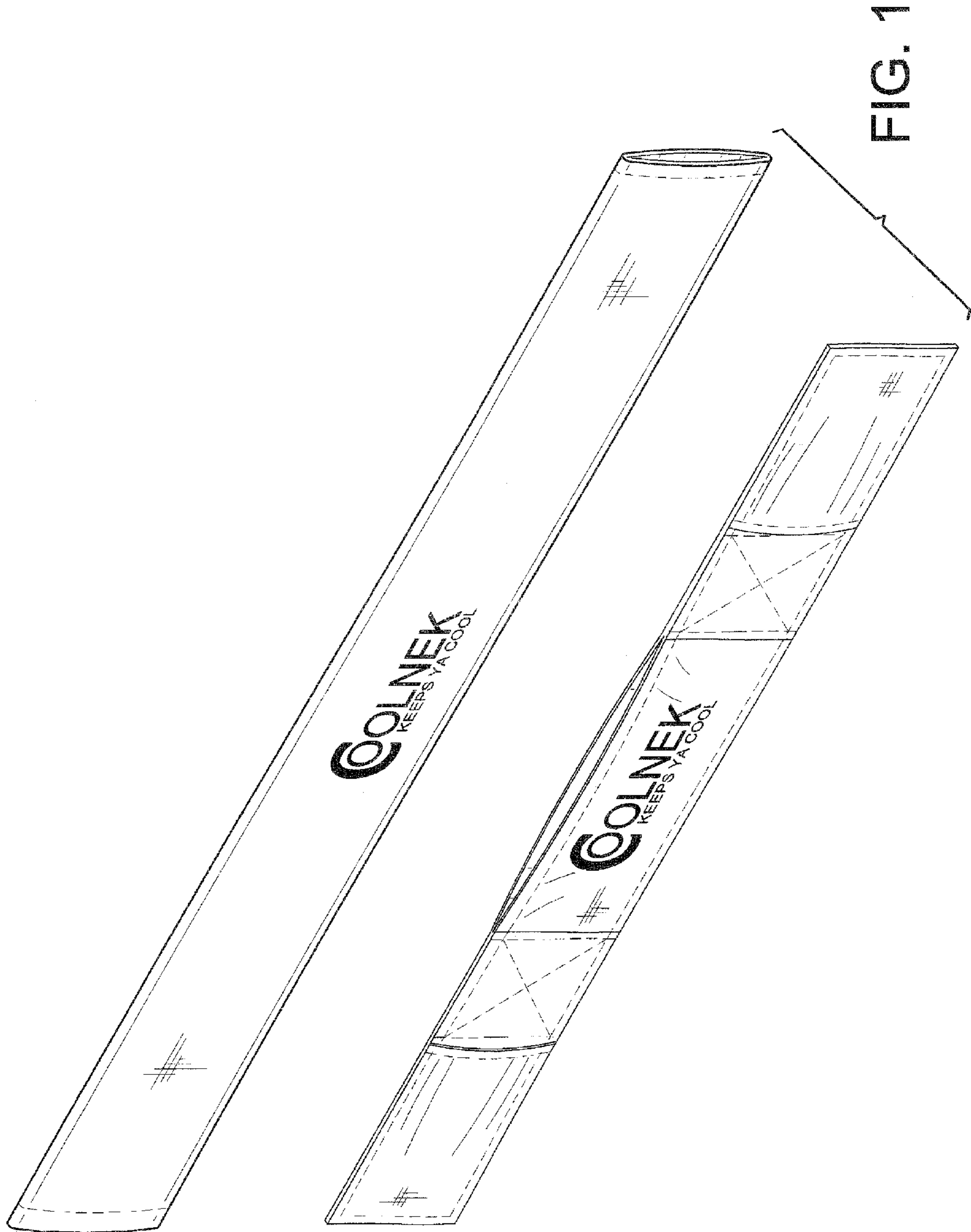
FIG. 5 is an top plan view thereof; and,

FIG. 6 is a bottom plan view thereof.

The dashed lines in FIGS. 1, 2 and 3 represent stitching, and do not form part of the claimed design.

1 Claim, 3 Drawing Sheets





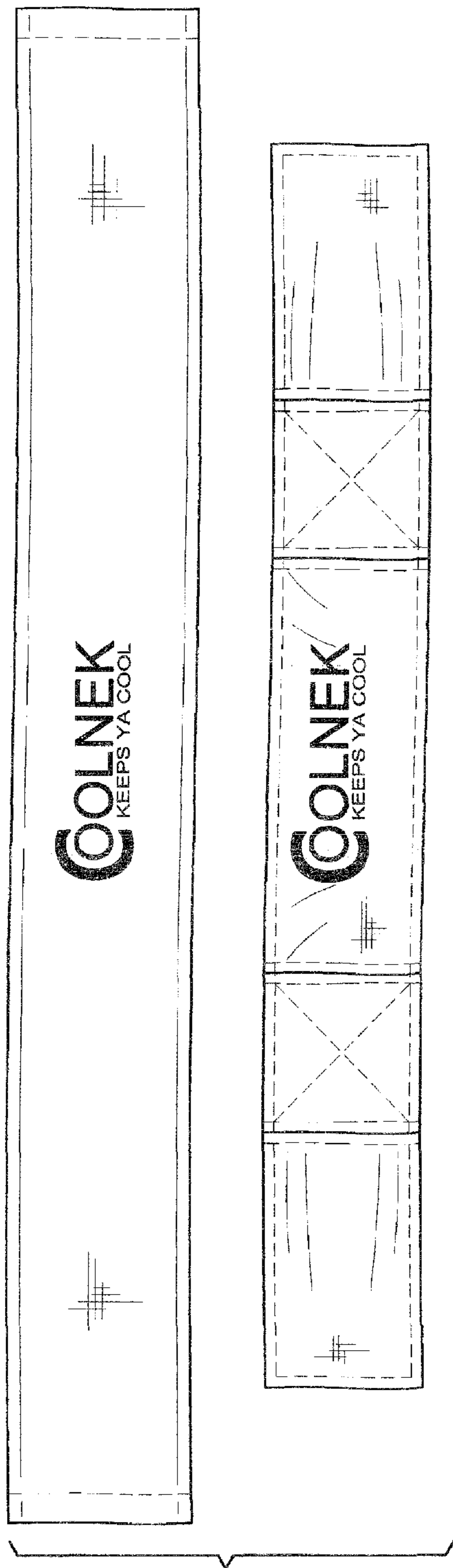


FIG. 2

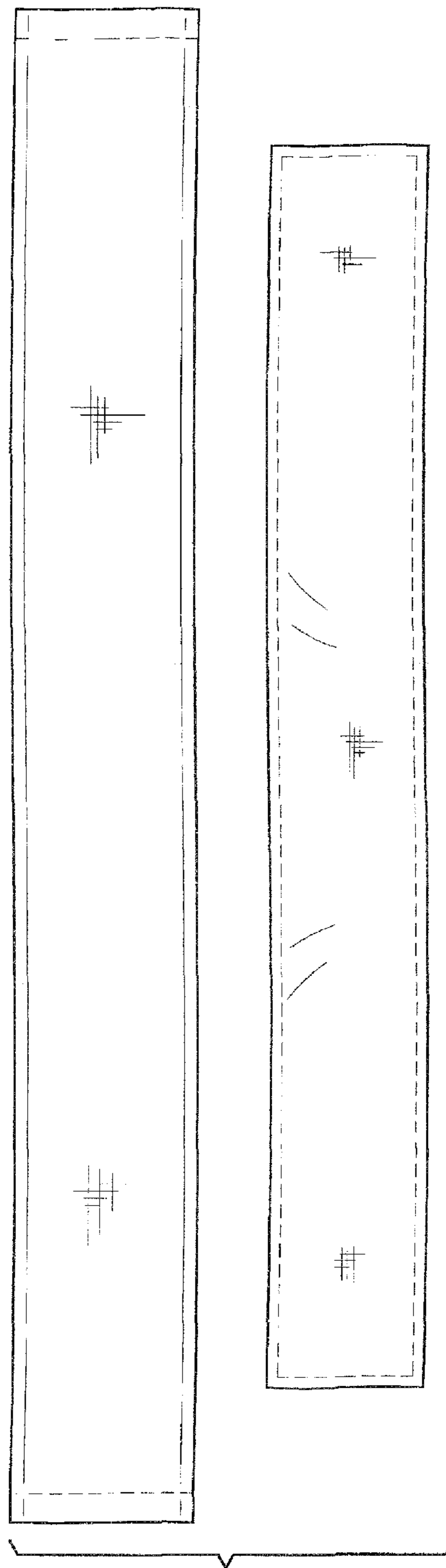


FIG. 3

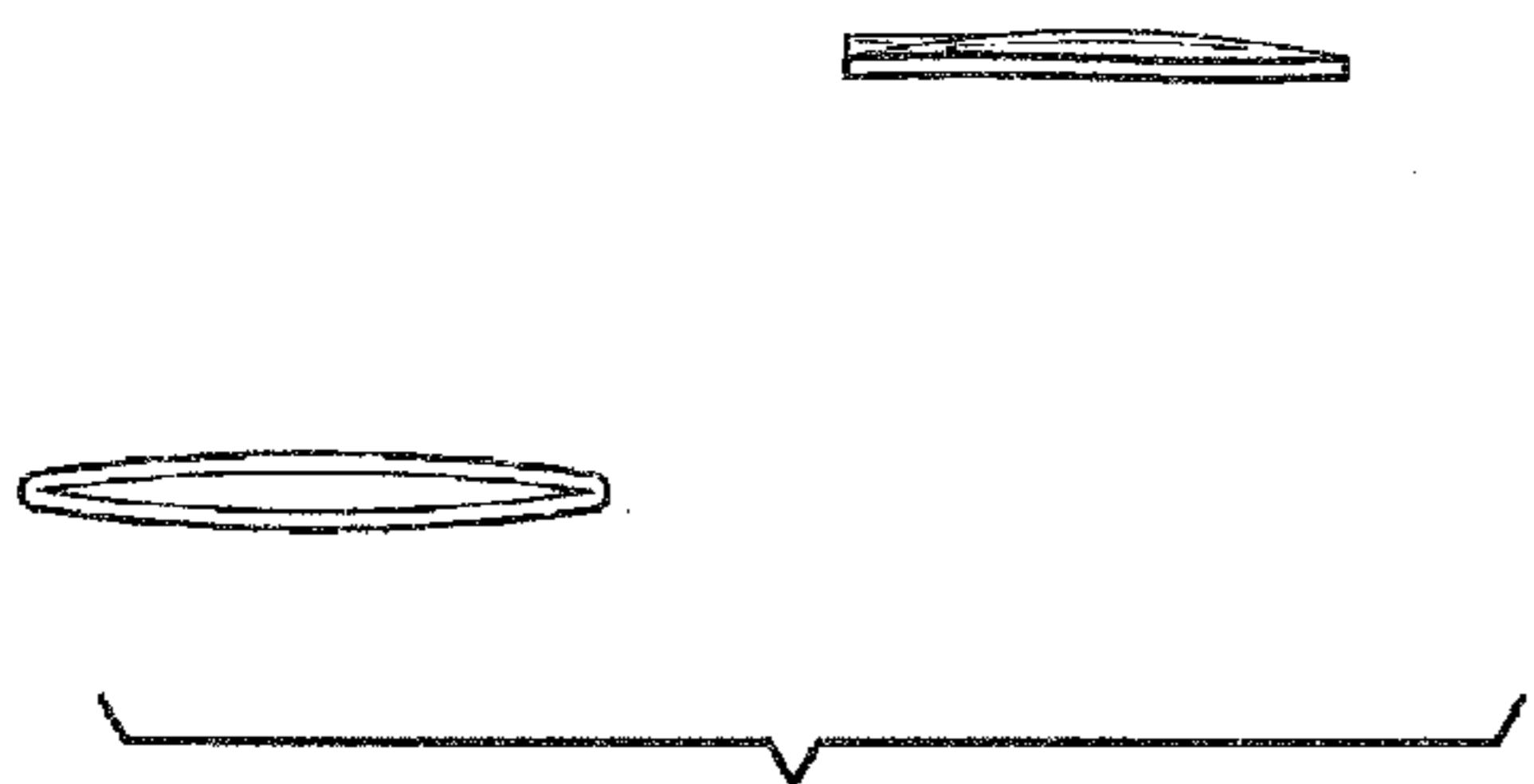


FIG. 4

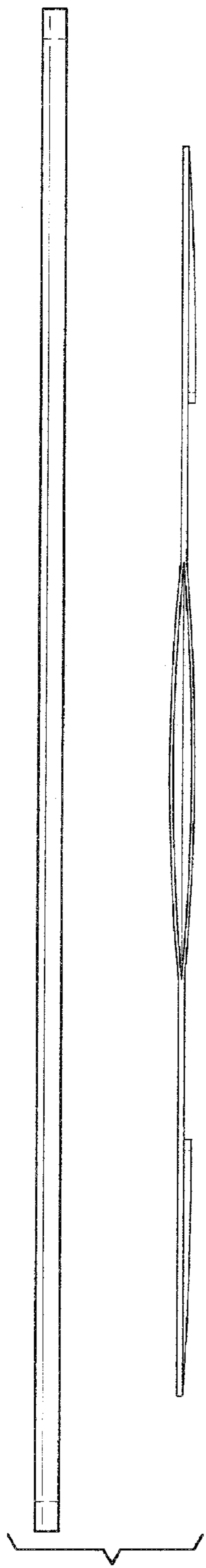


FIG. 5

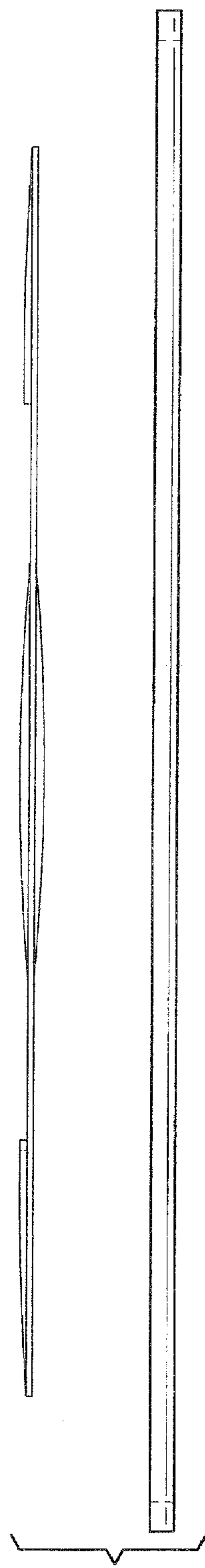


FIG. 6