



US00D630331S

(12) **United States Design Patent**
Moscovita et al.

(10) **Patent No.:** **US D630,331 S**
(45) **Date of Patent:** **** Jan. 4, 2011**

(54) **HANDHELD VASCULAR TESTING DEVICE**

D568,775 S * 5/2008 Kumauchi et al. D10/81
D569,982 S * 5/2008 Loerwald D24/186

(75) Inventors: **Peter A Moscovita**, North Kingstown, RI (US); **Kevin Maloney**, North Kingstown, RI (US)

* cited by examiner

(73) Assignee: **Unetixs Vascular, Inc.**, North Kingstown, RI (US)

Primary Examiner—T. Chase Nelson
Assistant Examiner—Anhdao Doan
(74) *Attorney, Agent, or Firm*—Barlow, Josephs & Holmes, Ltd.

(**) Term: **14 Years**

(57) **CLAIM**

(21) Appl. No.: **29/329,641**

The ornamental design for a handheld vascular testing device, as shown and described.

(22) Filed: **Dec. 18, 2008**

(51) **LOC (9) Cl.** **24-01**

DESCRIPTION

(52) **U.S. Cl.** **D24/169**

(58) **Field of Classification Search** D24/165,
D24/167, 169, 186; D10/78, 81; 600/309,
600/316, 322, 365, 368, 490, 493–495, 499,
600/500, 501; 128/900

FIG. 1 is a perspective view of a handheld vascular testing device, showing our new design;

FIG. 2 is a front view thereof;

FIG. 3 is a rear view thereof;

FIG. 4 is a top end view thereof;

FIG. 5 is a bottom end view thereof;

FIG. 6 is a left side view thereof;

FIG. 7 is a right side view thereof; and,

FIG. 8 is an alternate perspective view of the handheld vascular testing device, received in a base cradle.

See application file for complete search history.

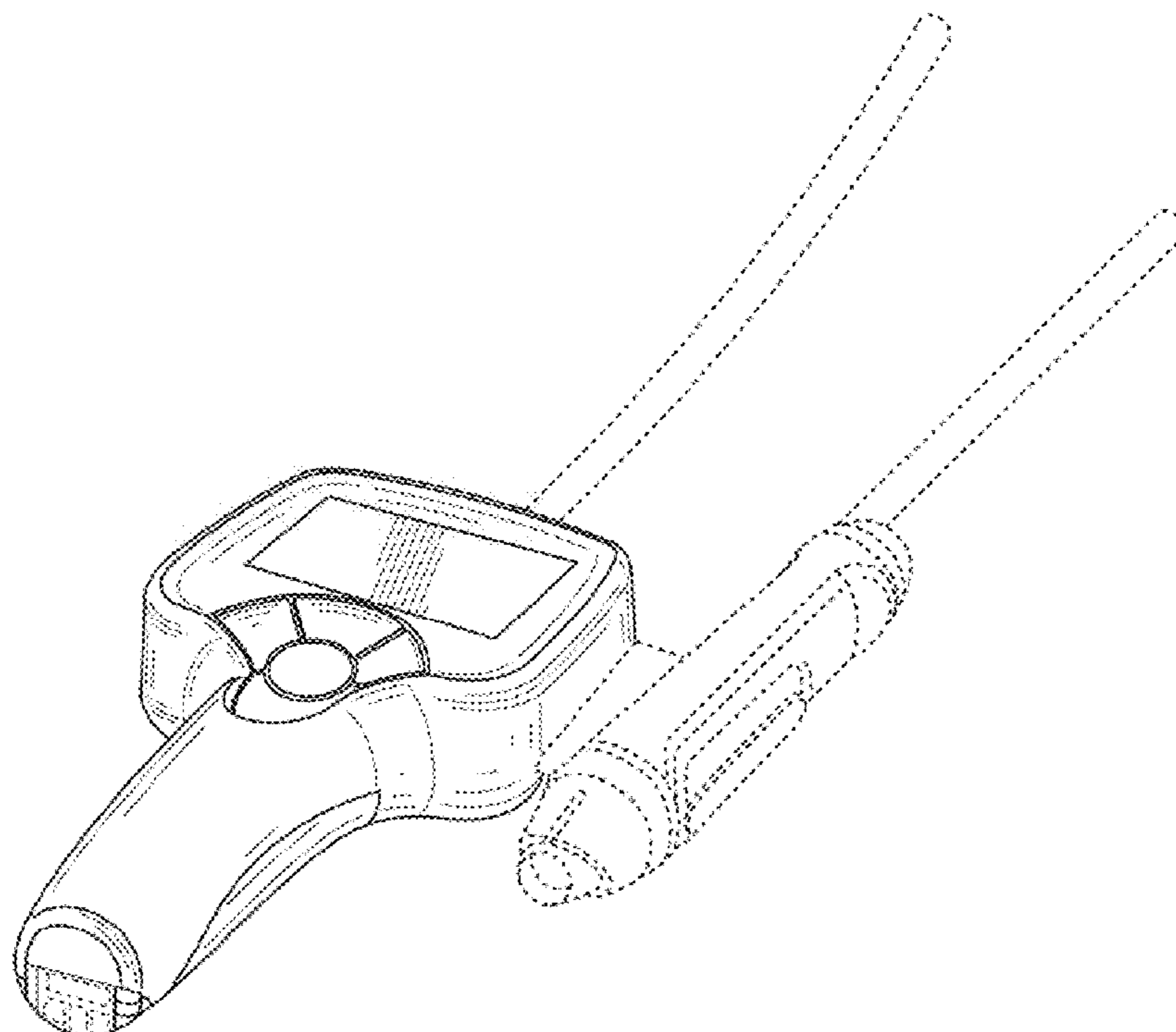
The broken lines that depict the cable loop shown on the top of the device, the probe member, the interface shown on the bottom of the device and the base cradle are for environmental purposes and form no part of the claimed design.

(56) **References Cited**

U.S. PATENT DOCUMENTS

- D386,700 S * 11/1997 Wright D10/81
- D399,566 S * 10/1998 Sohrab et al. D24/169
- D435,657 S * 12/2000 Bhullar et al. D24/169
- D469,877 S * 2/2003 Felix et al. D24/187
- D530,424 S * 10/2006 Manser et al. D24/169
- D533,095 S * 12/2006 Kaushal et al. D10/81
- D534,445 S * 1/2007 Kaushal et al. D10/81
- D551,350 S * 9/2007 Lorimer et al. D24/186
- D557,422 S * 12/2007 Arbogast et al. D24/186
- D560,529 S * 1/2008 Kaushal et al. D10/81

1 Claim, 5 Drawing Sheets



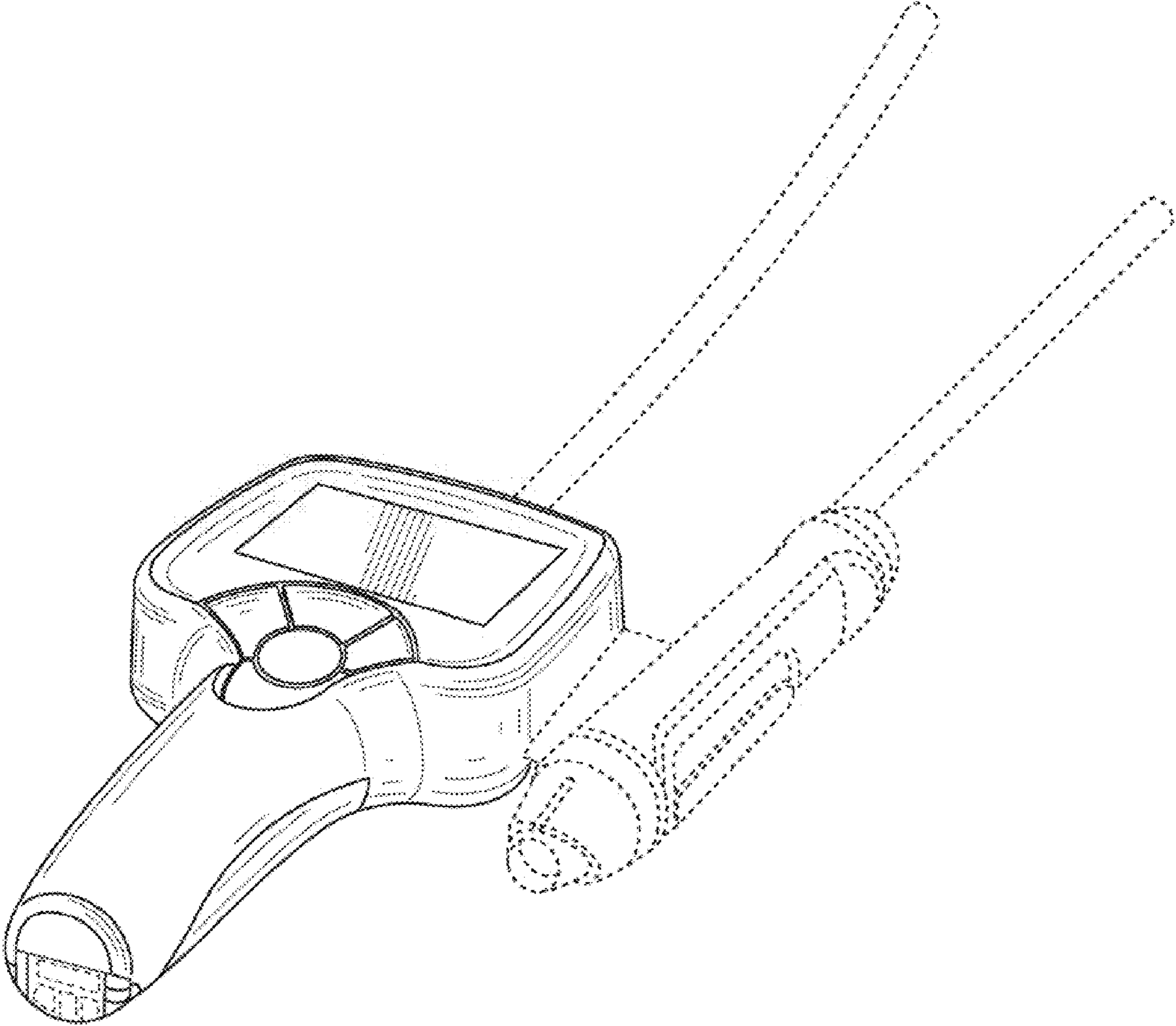


FIG. 1

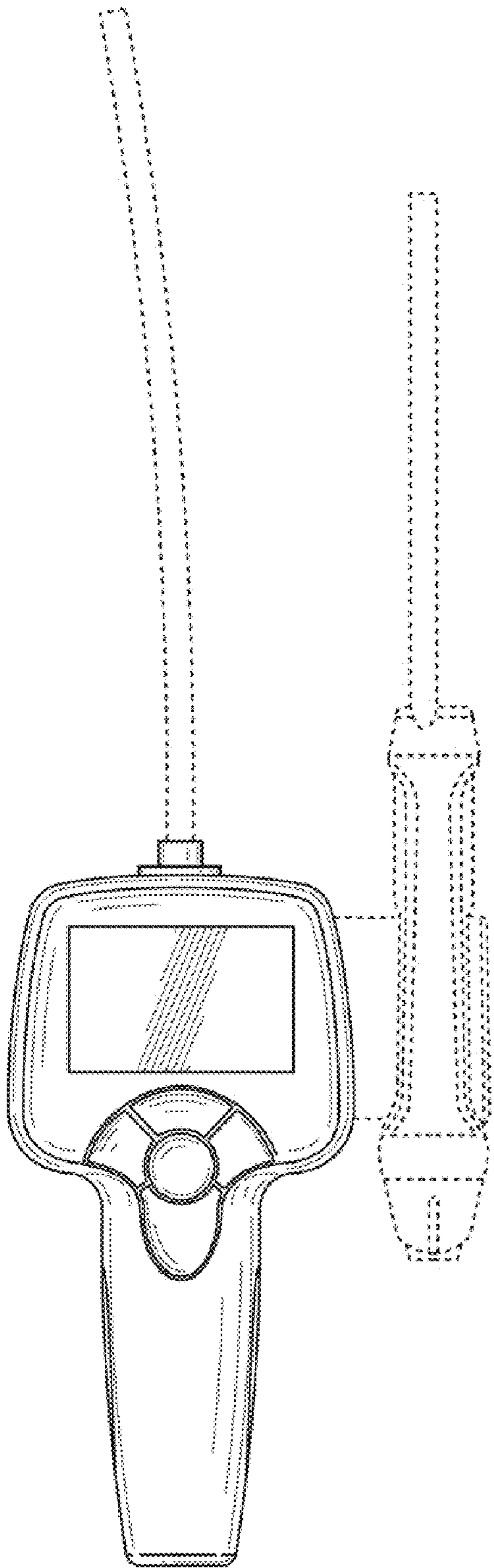


FIG. 2

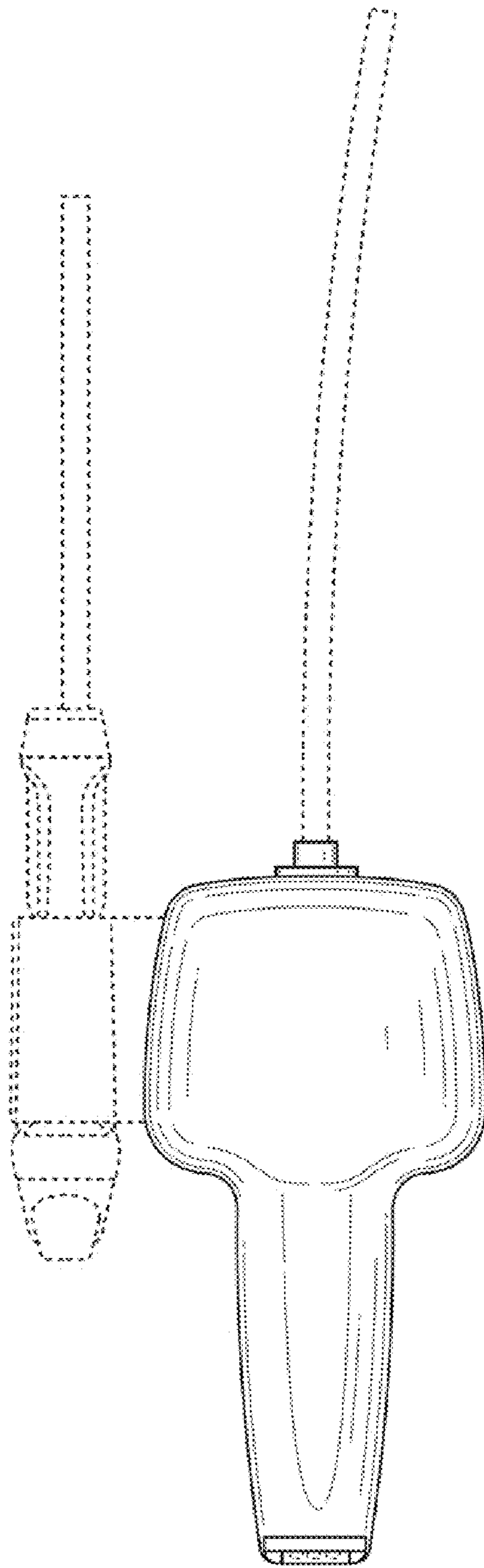


FIG. 3

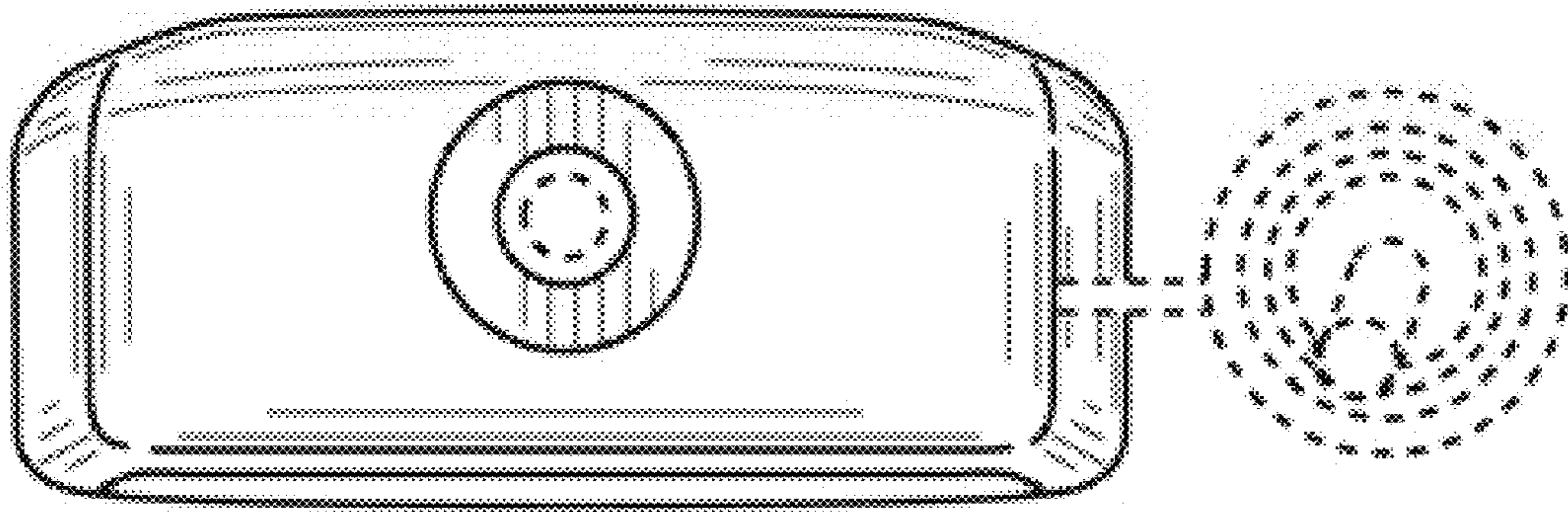


FIG. 4

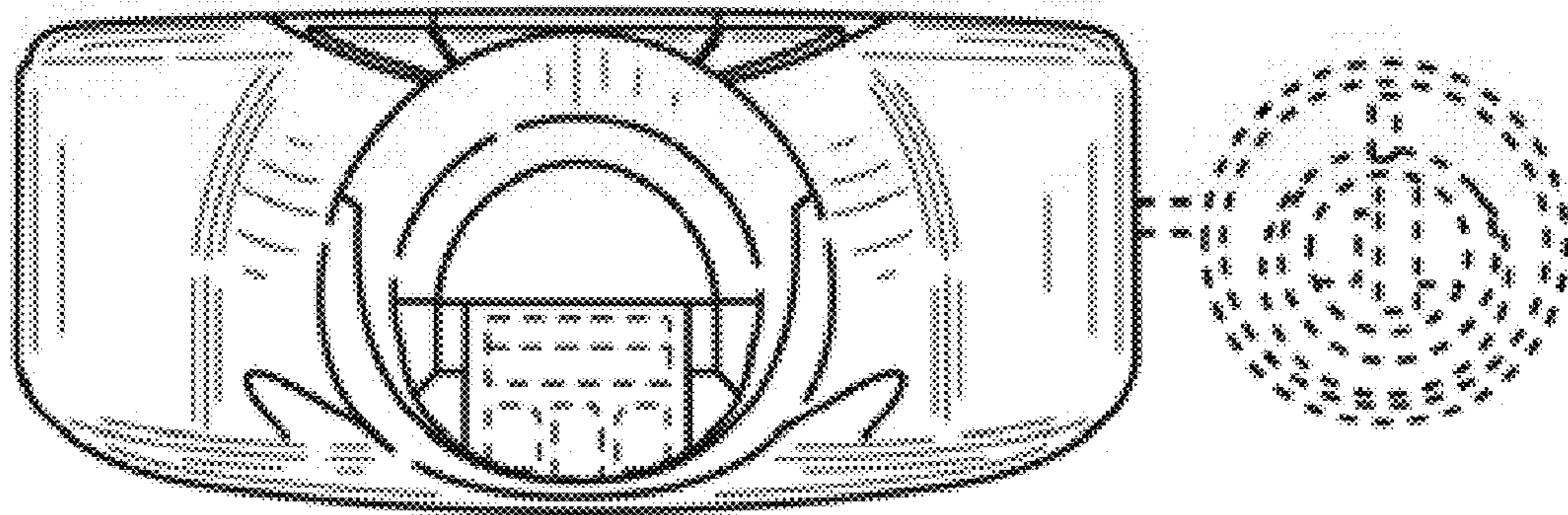


FIG. 5

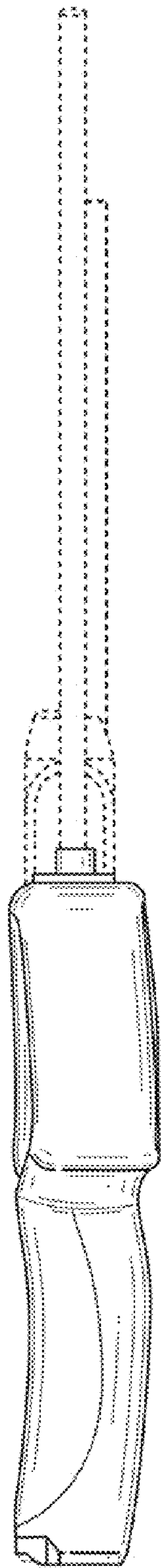


FIG. 6

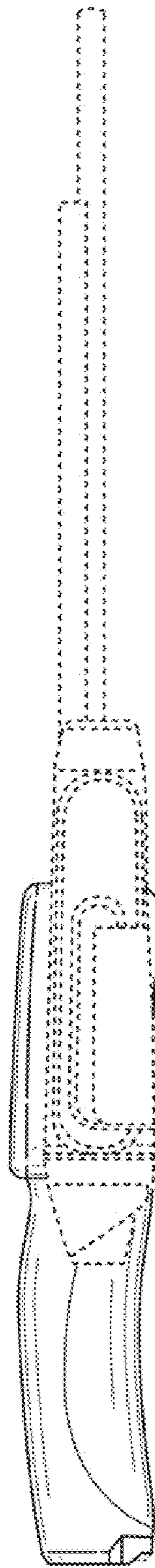


FIG. 7

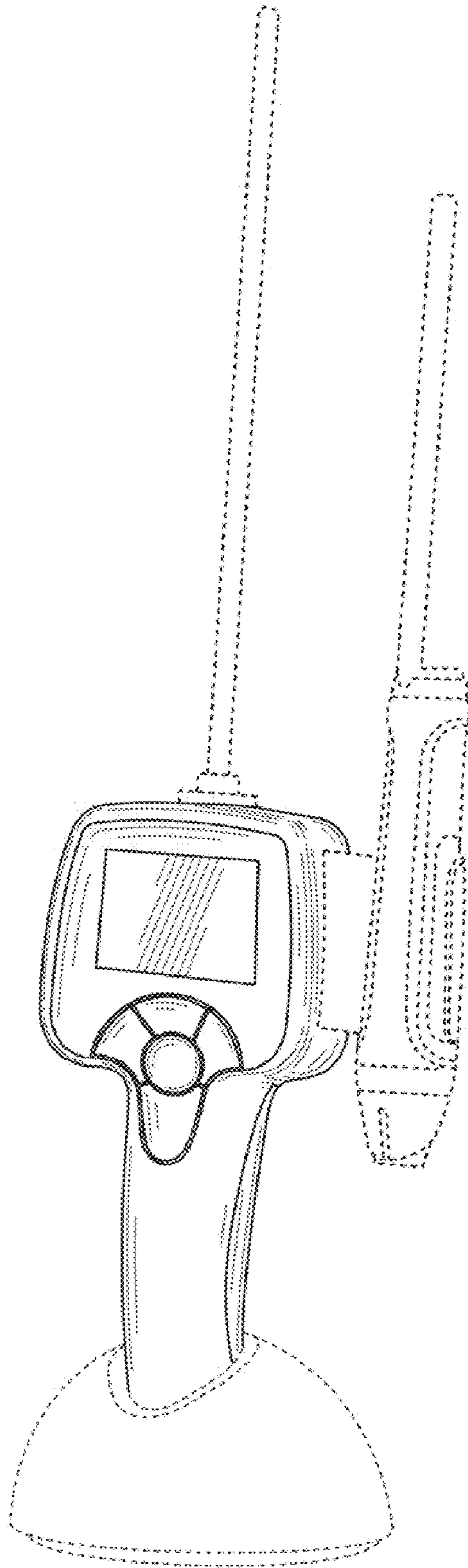


FIG. 8