



US00D630330S

(12) **United States Design Patent**  
**Baba**

(10) **Patent No.:** **US D630,330 S**  
(45) **Date of Patent:** **\*\* Jan. 4, 2011**

(54) **BED OF A SCANNER FOR AN X-RAY TOMOGRAPHY DIAGNOSIS APPARATUS**

JP D1107887 5/2001  
JP D1123268 10/2001

(75) Inventor: **Noriaki Baba**, Tokyo (JP)

\* cited by examiner

(73) Assignees: **Kabushiki Kaisha Toshiba**, Tokyo (JP);  
**Toshiba Medical Systems Corporation**,  
Tochigi-Ken (JP)

*Primary Examiner*—T. Chase Nelson  
*Assistant Examiner*—Anhdao Doan  
(74) *Attorney, Agent, or Firm*—Banner & Witcoff, Ltd.

(\*\*) Term: **14 Years**

(57) **CLAIM**

(21) Appl. No.: **29/356,326**

The ornamental design for a bed of a scanner for an X-ray tomography diagnosis apparatus, as shown and described.

(22) Filed: **Feb. 24, 2010**

**DESCRIPTION**

(30) **Foreign Application Priority Data**

Aug. 25, 2009 (JP) ..... 2009-019367

FIG. 1 is a front, top and left side perspective view of a bed of a scanner for an X-ray tomography diagnosis apparatus, showing my new design;

(51) **LOC (9) Cl.** ..... **24-01**

FIG. 2 is a perspective view thereof with a base of the bed in an extended state;

(52) **U.S. Cl.** ..... **D24/159**

(58) **Field of Classification Search** ..... D24/158-161,  
D24/186, 183-185; 378/4, 19-21, 23, 25,  
378/27, 146; 5/601, 607, 611

FIG. 3 is a front elevational view thereof;

FIG. 4 is a rear elevational view thereof;

See application file for complete search history.

FIG. 5 is a top plan view thereof;

FIG. 6 is a bottom plan view thereof;

(56) **References Cited**

**U.S. PATENT DOCUMENTS**

- D161,100 S \* 12/1950 Goldfield et al. .... D24/159
- D161,717 S \* 1/1951 Stava ..... D24/159
- D270,182 S \* 8/1983 Wagner ..... D24/159
- 6,334,708 B1 \* 1/2002 Kosugi ..... 378/197
- D462,445 S \* 9/2002 Barde et al. .... D24/183
- 6,505,364 B2 \* 1/2003 Simmons et al. .... 5/600
- D527,459 S \* 8/2006 Gireesh ..... D24/183
- D553,246 S \* 10/2007 Banryu ..... D24/183

FIG. 7 is a right side elevational view thereof;

FIG. 8 is a left side elevational view thereof;

FIG. 9 is a front elevational view thereof with the base of the bed in a lowered state; and,

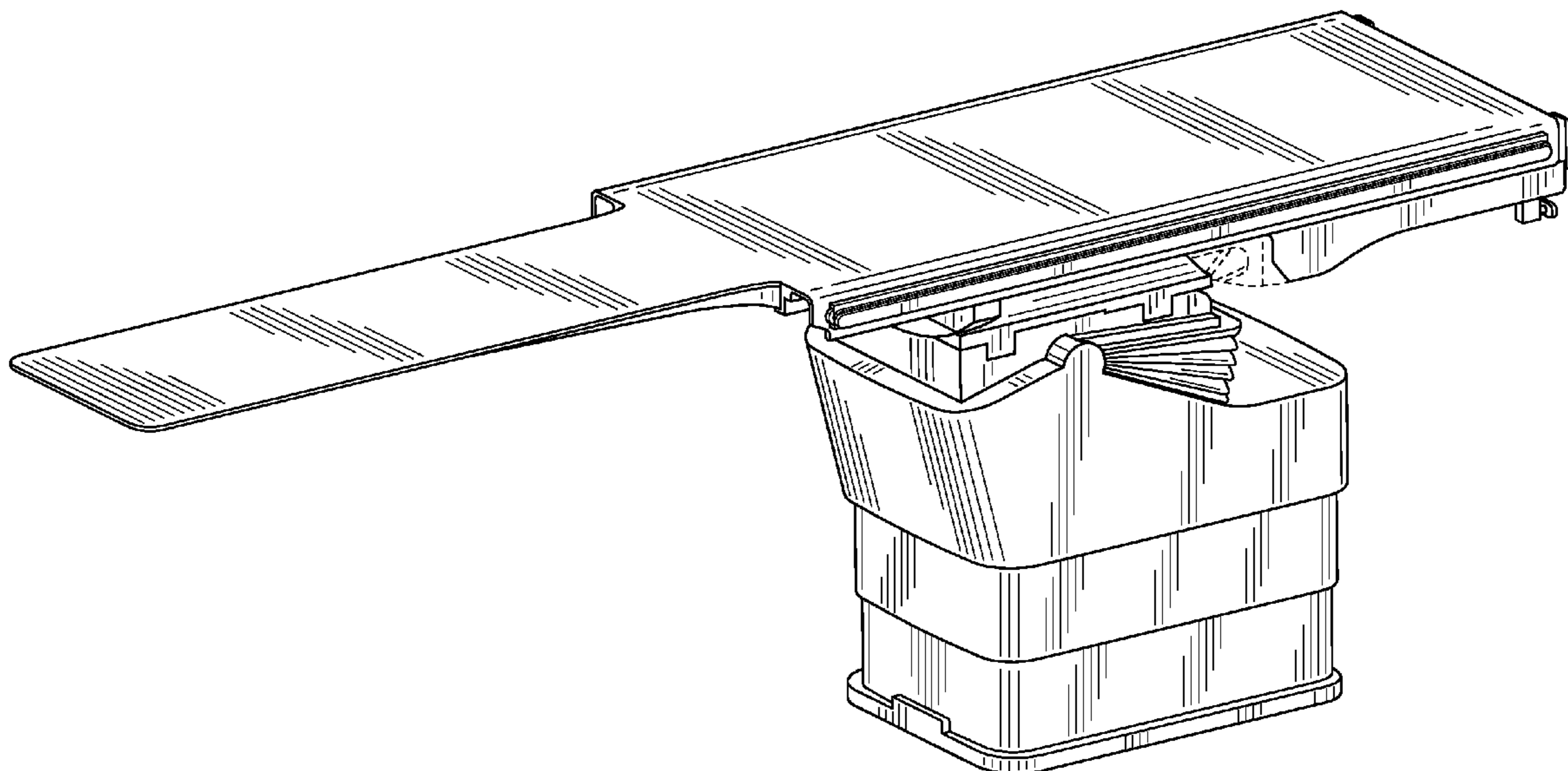
FIG. 10 is a front elevational view thereof with the base of the bed in a tilted state.

The broken line showing of the remainder of the bed of the scanner is for environmental purposes only and forms no part of the claimed design.

**FOREIGN PATENT DOCUMENTS**

JP 966652 10/1996

**1 Claim, 9 Drawing Sheets**



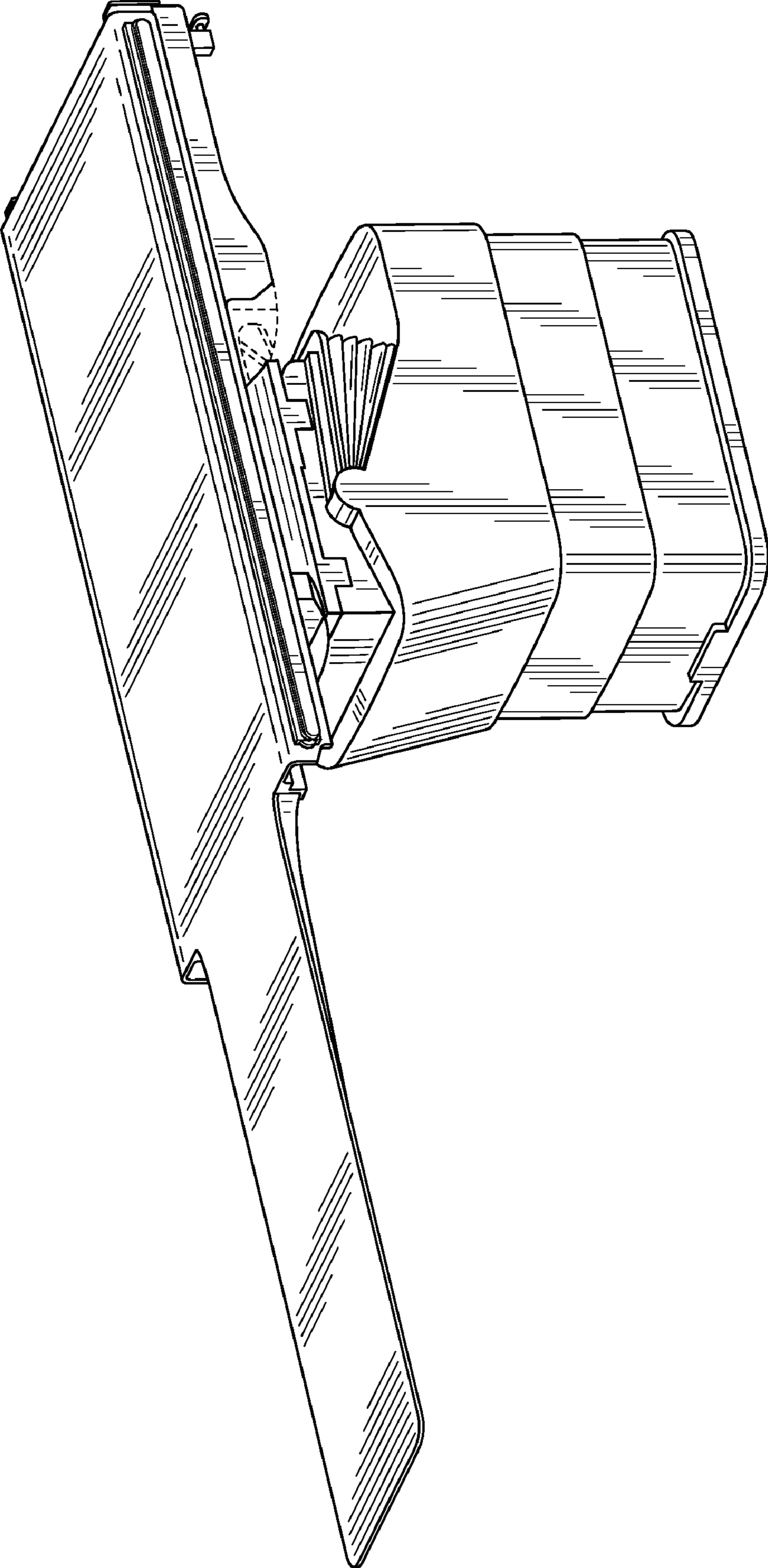


FIG. 1

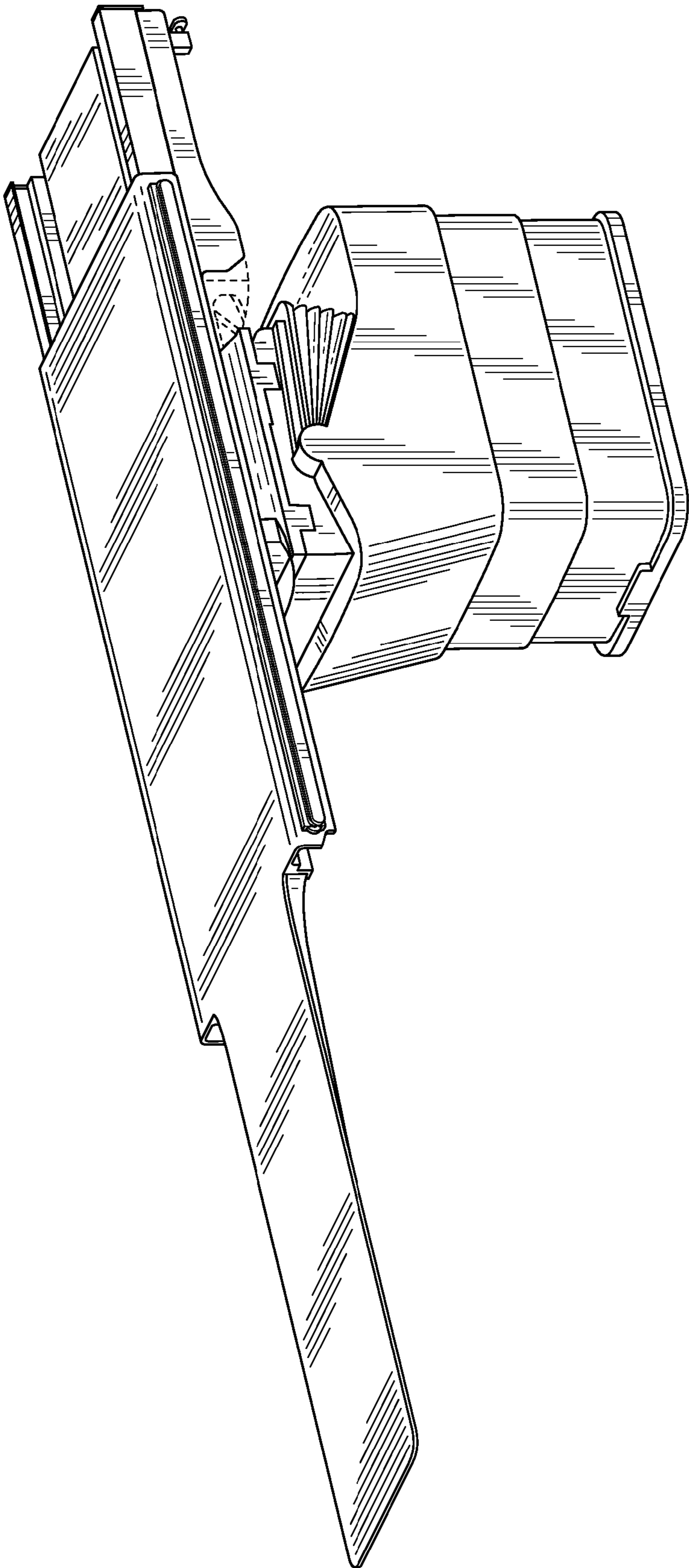


FIG. 2

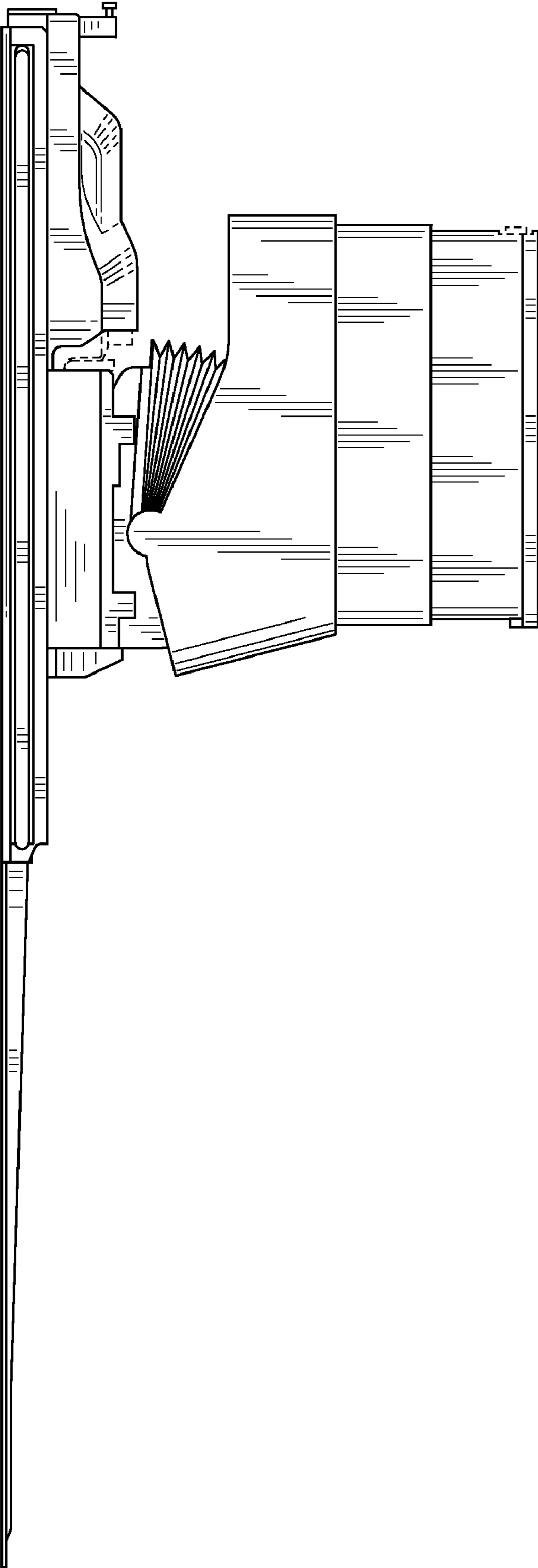


FIG. 3

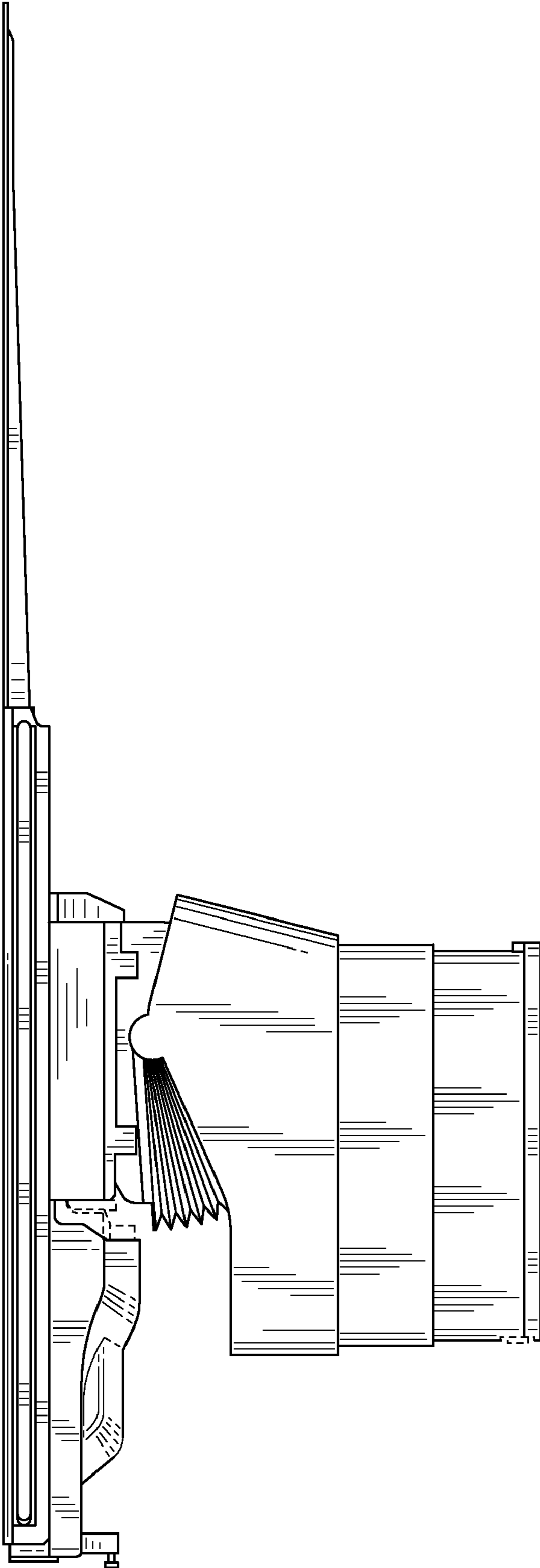


FIG. 4

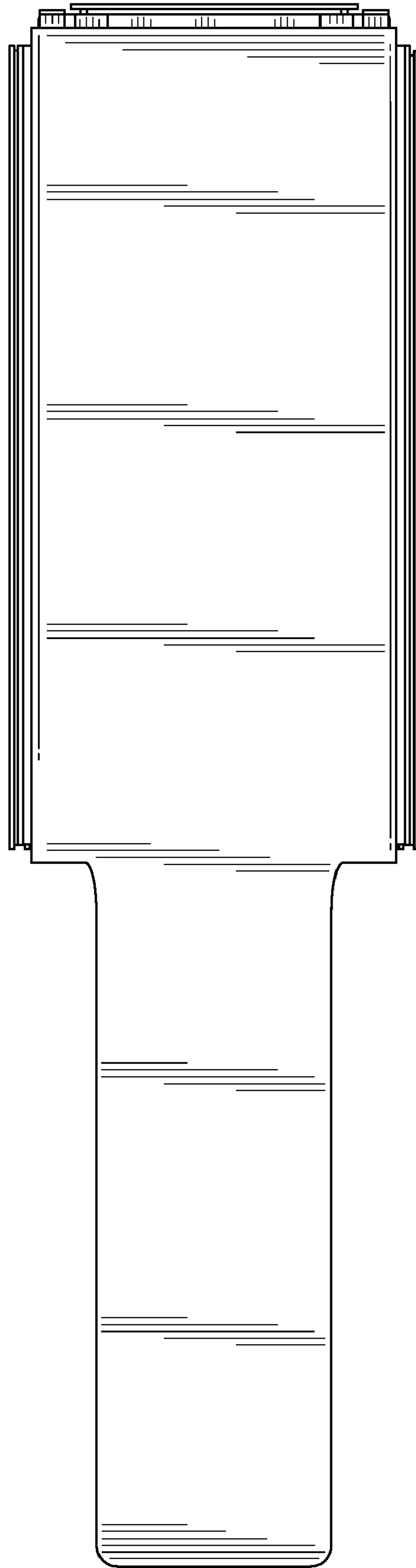


FIG. 5

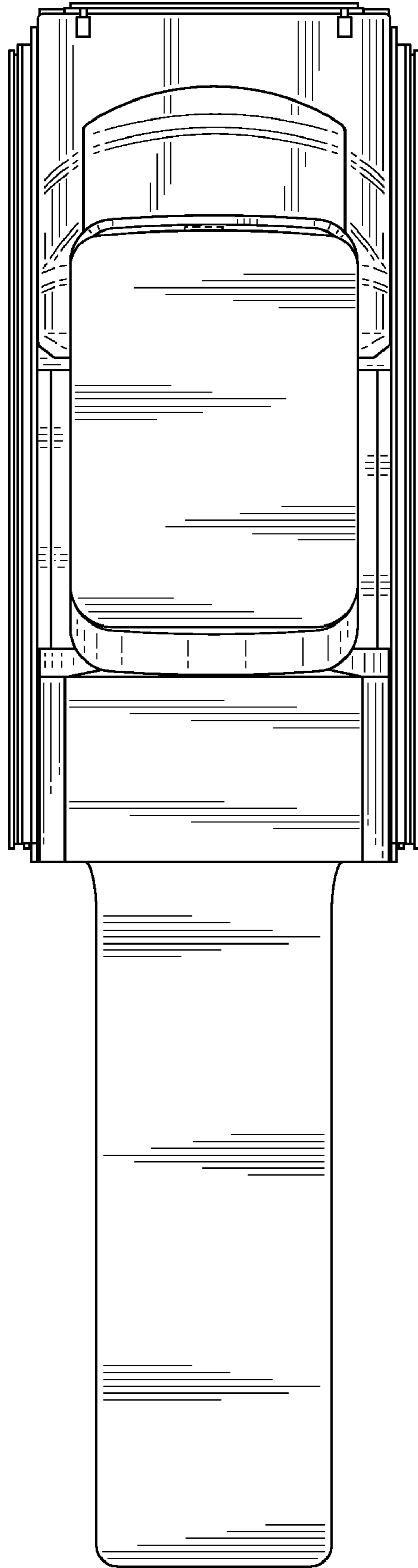


FIG. 6

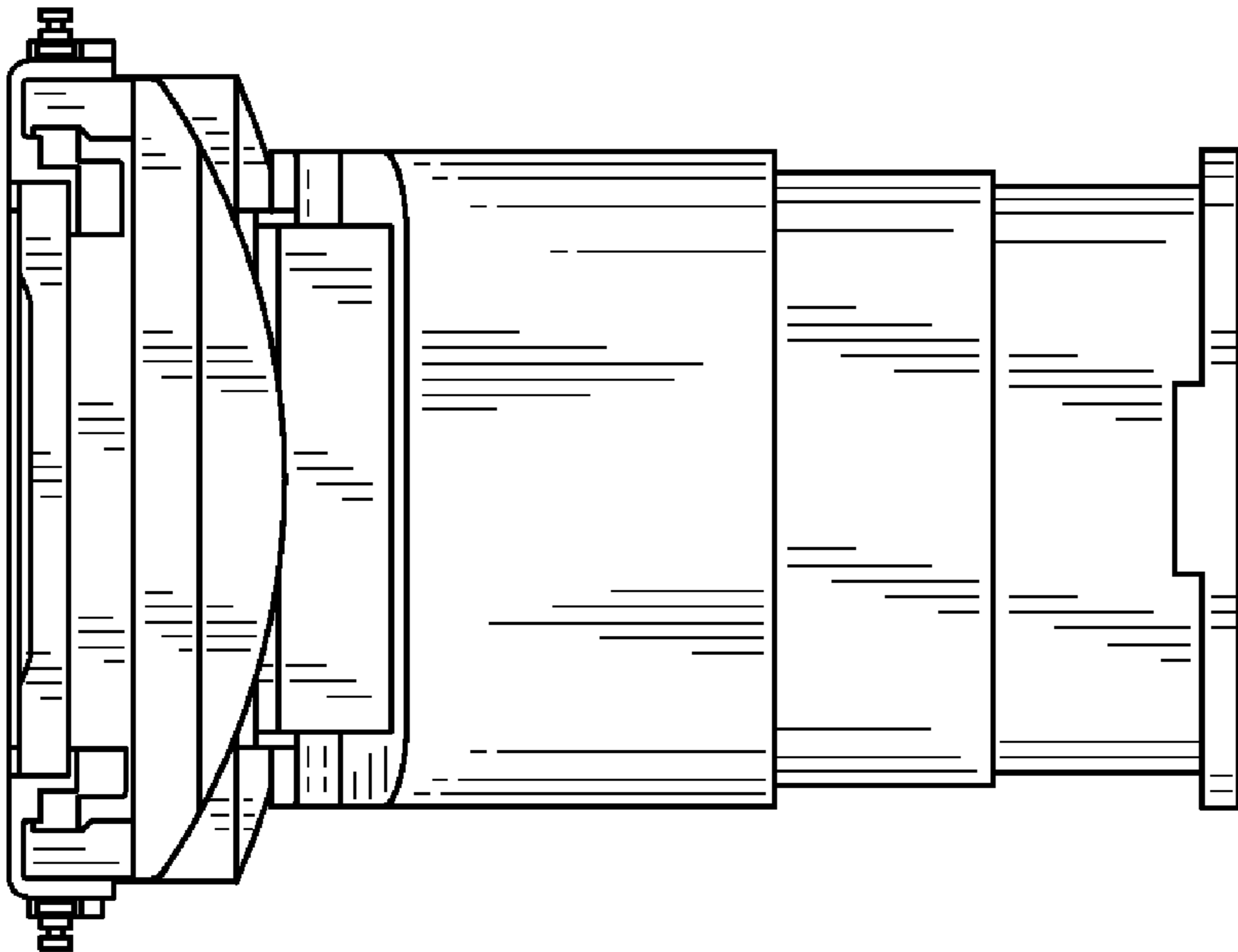


FIG. 8

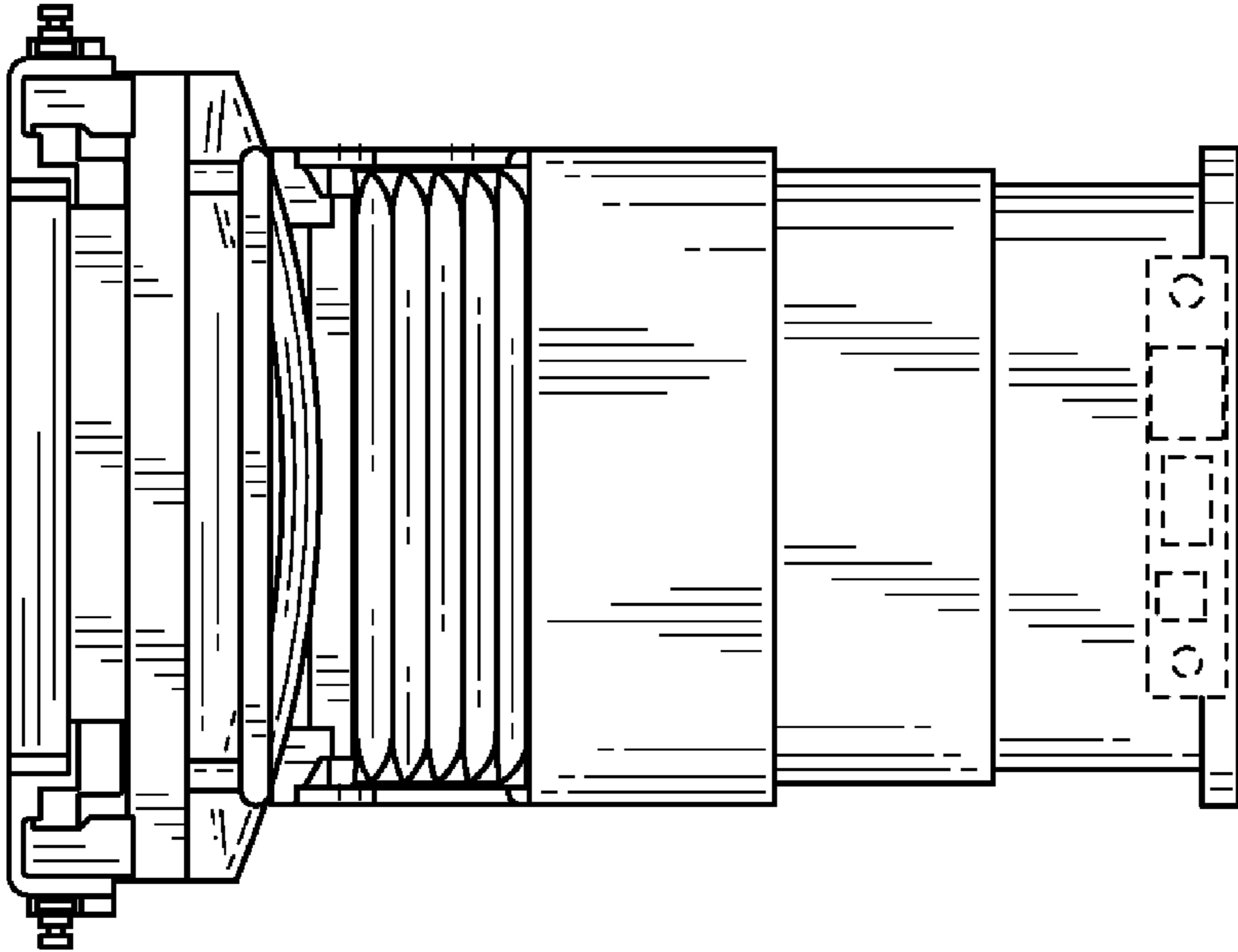


FIG. 7



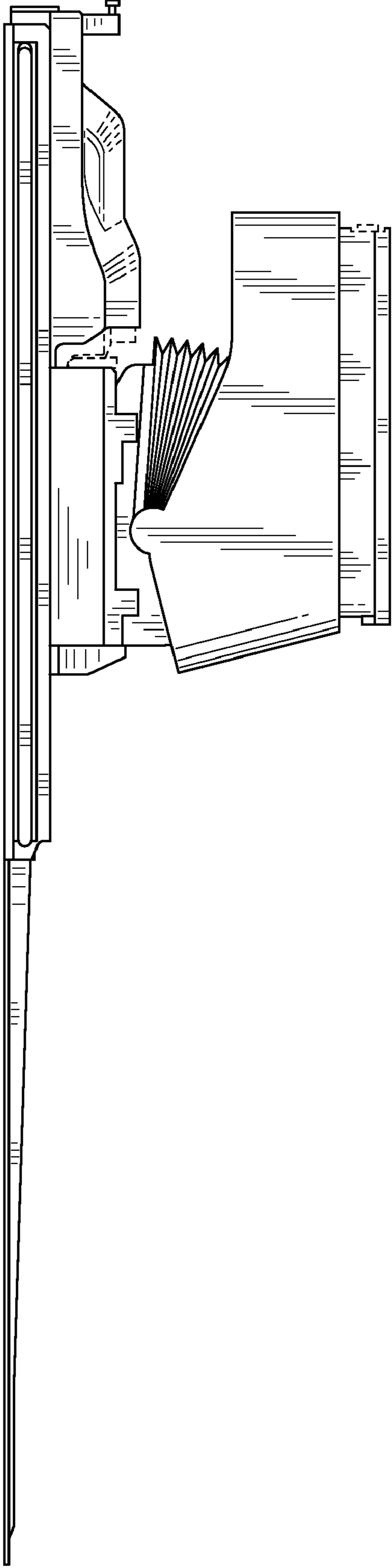


FIG. 9

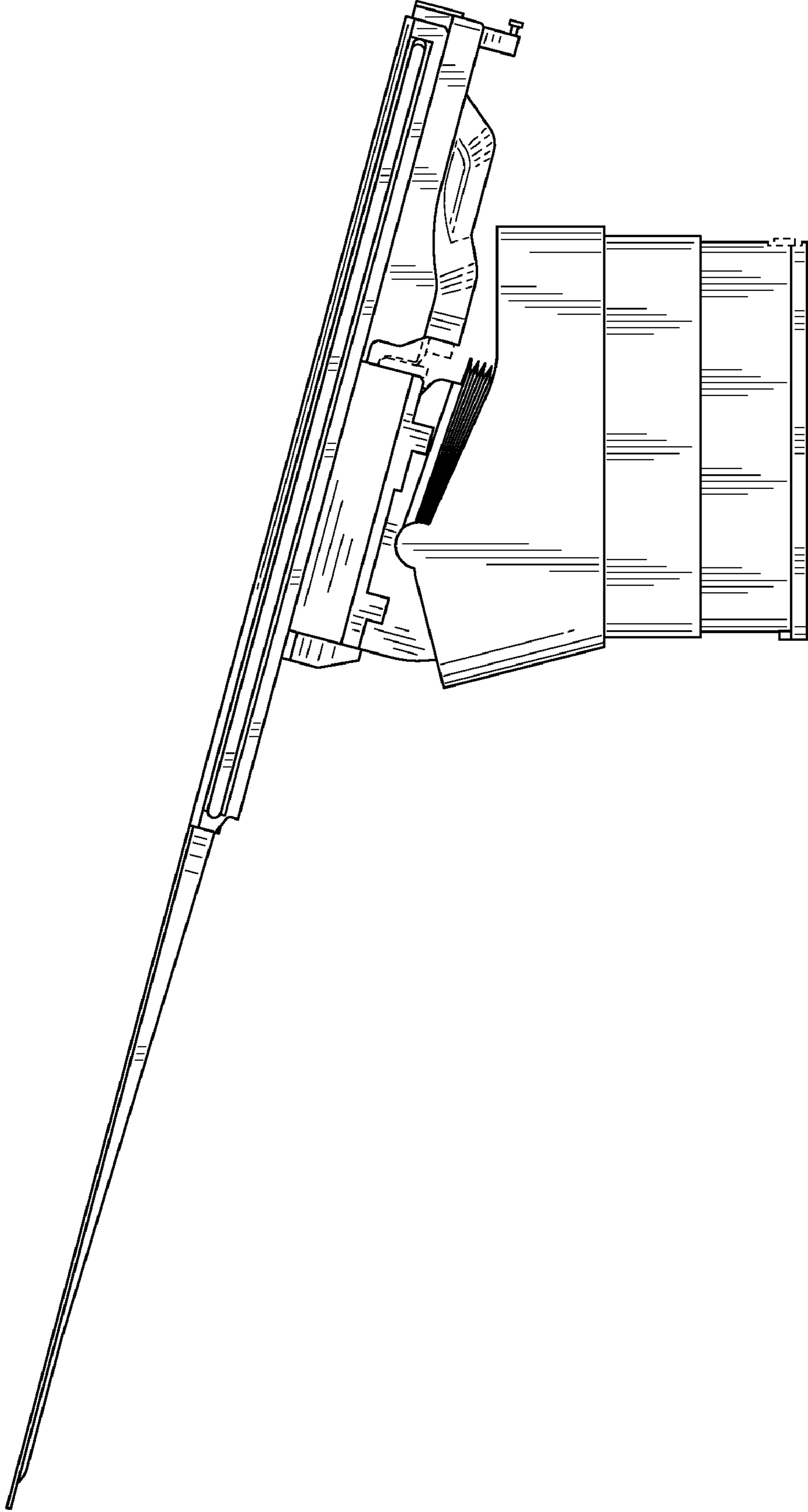


FIG. 10