



US00D630328S

(12) **United States Design Patent**
Fishburne, Jr.

(10) **Patent No.:** **US D630,328 S**
(45) **Date of Patent:** **** Jan. 4, 2011**

(54) **SYMMETRICAL DENTAL BILATERAL BITE BLOCK**

(75) Inventor: **Cotsworth P. Fishburne, Jr.**, Rockhill, SC (US)

(73) Assignee: **Centrix, Inc.**, Shelton, CT (US)

(**) Term: **14 Years**

(21) Appl. No.: **29/348,095**

(22) Filed: **Nov. 25, 2009**

(51) **LOC (9) Cl.** **24-02**

(52) **U.S. Cl.** **D24/152**

(58) **Field of Classification Search** D24/152, D24/155, 176, 180, 156; D8/107, 83, 16, D8/88, 89, 397; D28/65; 606/80; 417/420, 417/11; 433/141, 102, 39, 93; 602/41-43, 602/48; 623/21.14; 414/525.51

See application file for complete search history.

(56) **References Cited**

U.S. PATENT DOCUMENTS

2,823,455	A	4/1956	Sprague	
2,937,445	A	10/1956	Erickson	
4,179,815	A	12/1979	Hoffman	433/140
4,511,329	A	4/1985	Diamond	433/31
D310,414	S *	9/1990	Briggs, III	D24/128

D379,513	S *	5/1997	Ierulli	D24/135
D401,329	S *	11/1998	Bierman	D24/128
6,234,739	B1 *	5/2001	Smith et al.	414/525.51
6,267,591	B1	7/2001	Barstow	433/93
D485,617	S *	1/2004	Bosma et al.	D24/152
D485,907	S *	1/2004	Bosma et al.	D24/152
7,425,664	B2	9/2008	Maass, Jr. et al.	604/358
7,541,510	B2 *	6/2009	Beaudry	602/41

* cited by examiner

Primary Examiner—Charles A Rademaker

(74) *Attorney, Agent, or Firm*—Fattibene and Fattibene LLC; Paul A. Fattibene

(57) **CLAIM**

The ornamental design for a symmetrical dental bilateral bite block, as shown and described.

DESCRIPTION

FIG. 1 is a perspective view of a symmetrical dental bilateral bite BLOCK showing the new design;

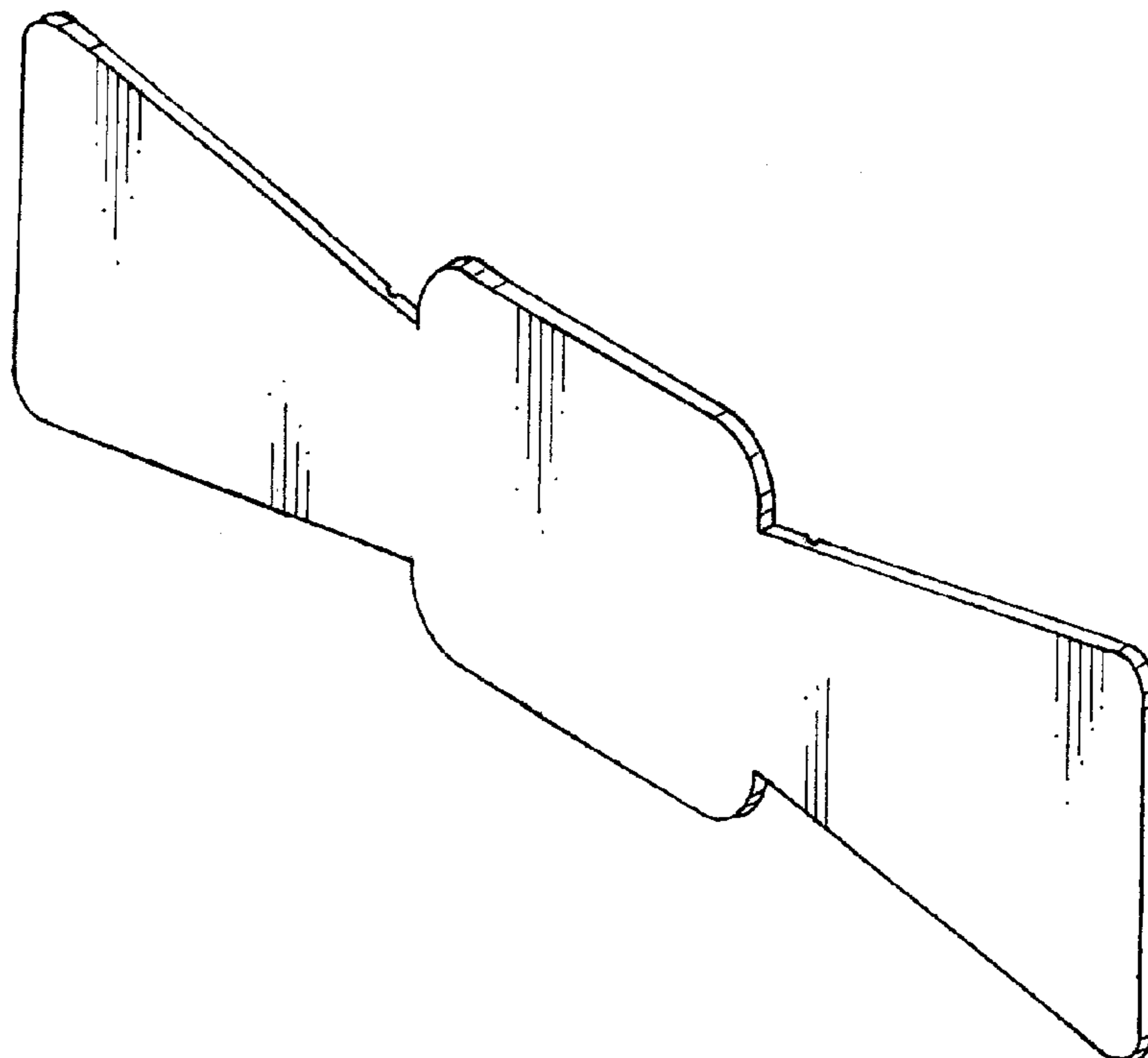
FIG. 2 is a front elevation view thereof;

FIG. 3 is a rear elevation view thereof;

FIG. 4 is a top plan view thereof, with the bottom plan view being a mirror image; and,

FIG. 5 is a right side elevation view thereof, with the left side elevation view being a mirror image.

1 Claim, 1 Drawing Sheet



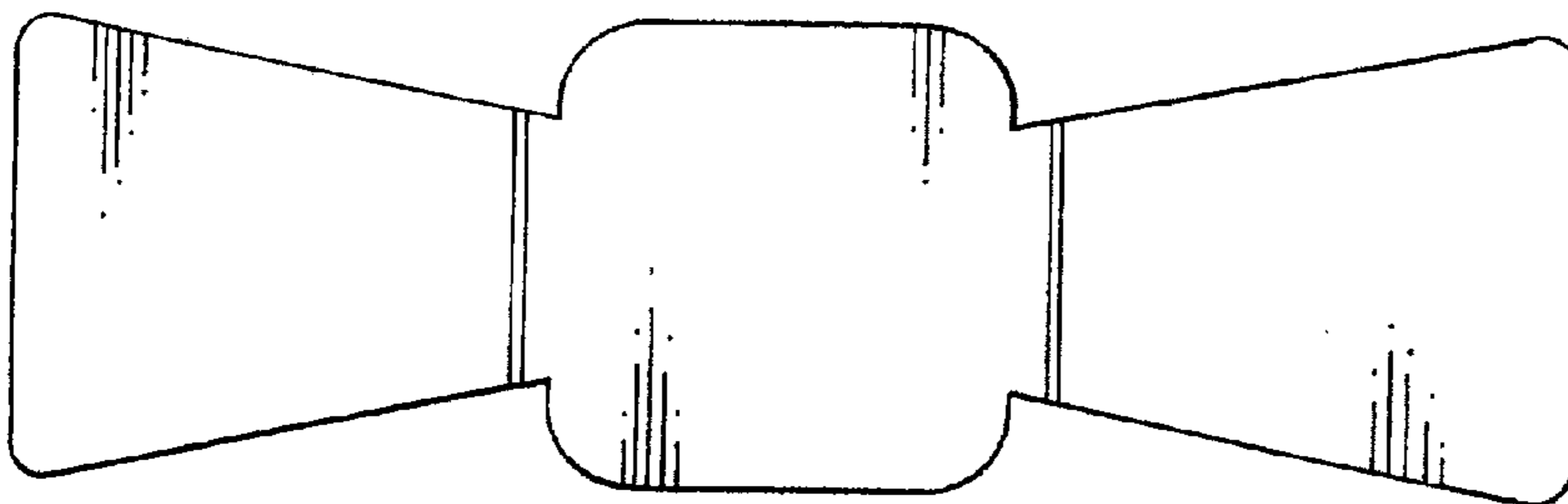
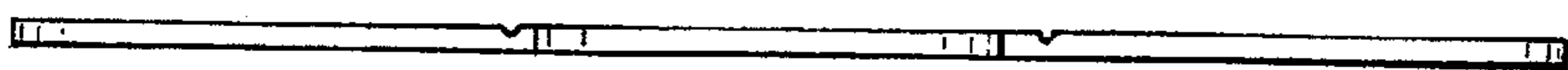
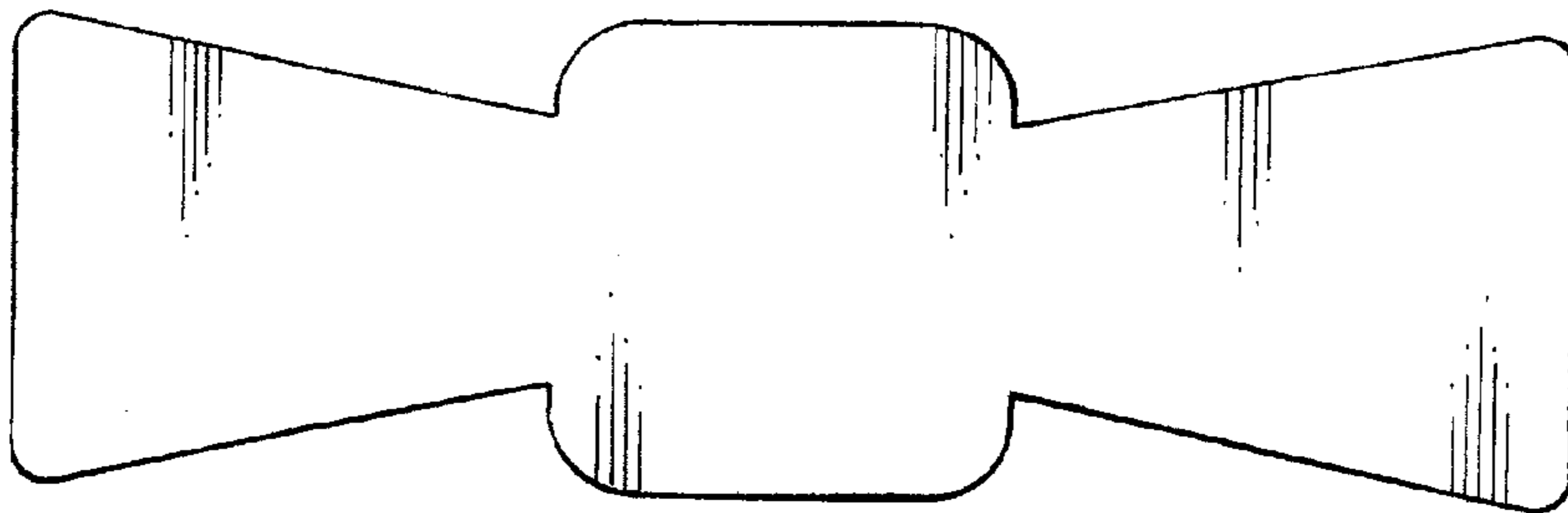
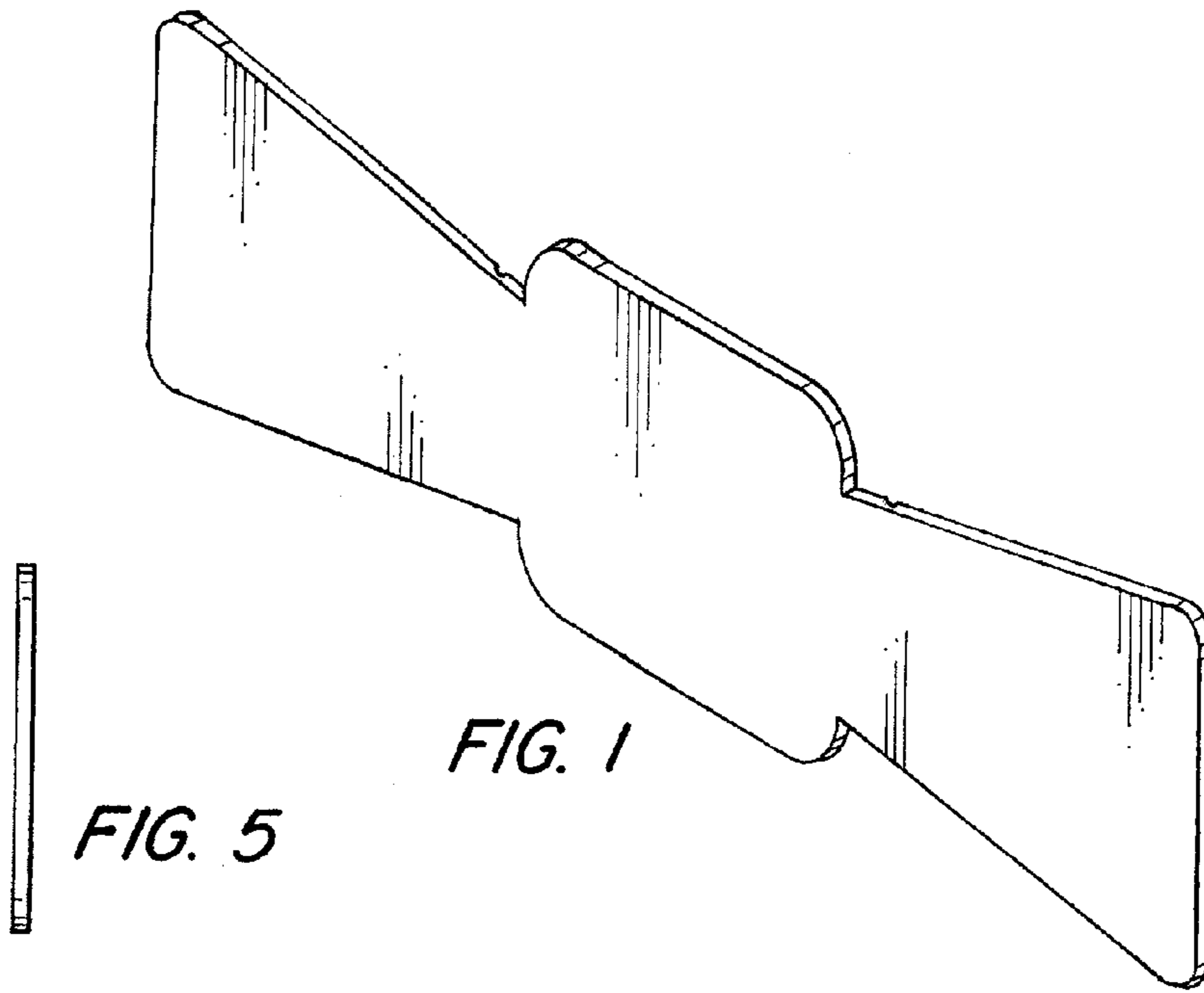


FIG. 2

FIG. 4

FIG. 3