



US00D630325S

(12) **United States Design Patent**
Kirsch et al.

(10) **Patent No.:** **US D630,325 S**
(45) **Date of Patent:** **** Jan. 4, 2011**

(54) **SUTURE PACKAGE**

(75) Inventors: **David Kirsch**, Madison, CT (US);
Matthew Chowaniec, Middletown, CT (US)

(73) Assignee: **Tyco Healthcare Group LP**, North Haven, CT (US)

(**) Term: **14 Years**

(21) Appl. No.: **29/342,233**

(22) Filed: **Aug. 20, 2009**

(51) **LOC (9) Cl.** **24-02**

(52) **U.S. Cl.** **D24/145; D24/147**

(58) **Field of Classification Search** D24/145-147;
D9/428, 432, 425, 414; 606/139, 228; 206/63.3,
206/439, 380, 480, 482, 483, 338, 341, 557,
206/370; 53/430

See application file for complete search history.

(56) **References Cited**

U.S. PATENT DOCUMENTS

| | | | | |
|-----------|-----|---------|-----------------|---------|
| 2,615,565 | A | 10/1952 | Bower et al. | |
| 3,495,703 | A | 2/1970 | Calabrese | |
| 3,972,418 | A | 8/1976 | Schuler et al. | |
| 4,424,898 | A | 1/1984 | Thyen et al. | |
| 4,961,498 | A | 10/1990 | Kalinski et al. | |
| 4,967,902 | A | 11/1990 | Sobel et al. | |
| 5,052,551 | A | 10/1991 | Cerwin et al. | |
| 5,056,658 | A | 10/1991 | Sobel et al. | |
| 5,099,994 | A * | 3/1992 | Kalinski et al. | 206/409 |
| 5,154,283 | A | 10/1992 | Brown | |
| 5,165,217 | A | 11/1992 | Sobel et al. | |
| 5,179,818 | A * | 1/1993 | Kalinski et al. | 53/430 |
| 5,213,210 | A | 5/1993 | Cascio et al. | |
| 5,228,565 | A | 7/1993 | Sinn | |
| 5,230,424 | A | 7/1993 | Alpern et al. | |
| 5,236,083 | A | 8/1993 | Sobel et al. | |
| 5,249,673 | A | 10/1993 | Sinn | |
| 5,271,495 | A | 12/1993 | Alpern | |

| | | | |
|-----------|---|---------|-----------------|
| 5,284,240 | A | 2/1994 | Alpern et al. |
| 5,350,060 | A | 9/1994 | Alpern et al. |
| 5,392,903 | A | 2/1995 | Sinn |
| 5,462,162 | A | 10/1995 | Kaplan et al. |
| 5,472,081 | A | 12/1995 | Kilgrow et al. |
| 5,478,344 | A | 12/1995 | Stone et al. |
| D374,284 | S | 10/1996 | Stone et al. |
| D374,285 | S | 10/1996 | DeFonzo et al. |
| 5,575,382 | A | 11/1996 | Sobel et al. |
| D378,131 | S | 2/1997 | Stone et al. |
| 5,628,395 | A | 5/1997 | Daniele et al. |
| 5,655,652 | A | 8/1997 | Sobel et al. |
| 5,667,155 | A | 9/1997 | Cerwin et al. |
| 5,669,490 | A | 9/1997 | Colligan et al. |
| 5,728,107 | A | 3/1998 | Zlock et al. |

(Continued)

Primary Examiner—Stella M Reid
Assistant Examiner—Wan Laymon

(57) **CLAIM**

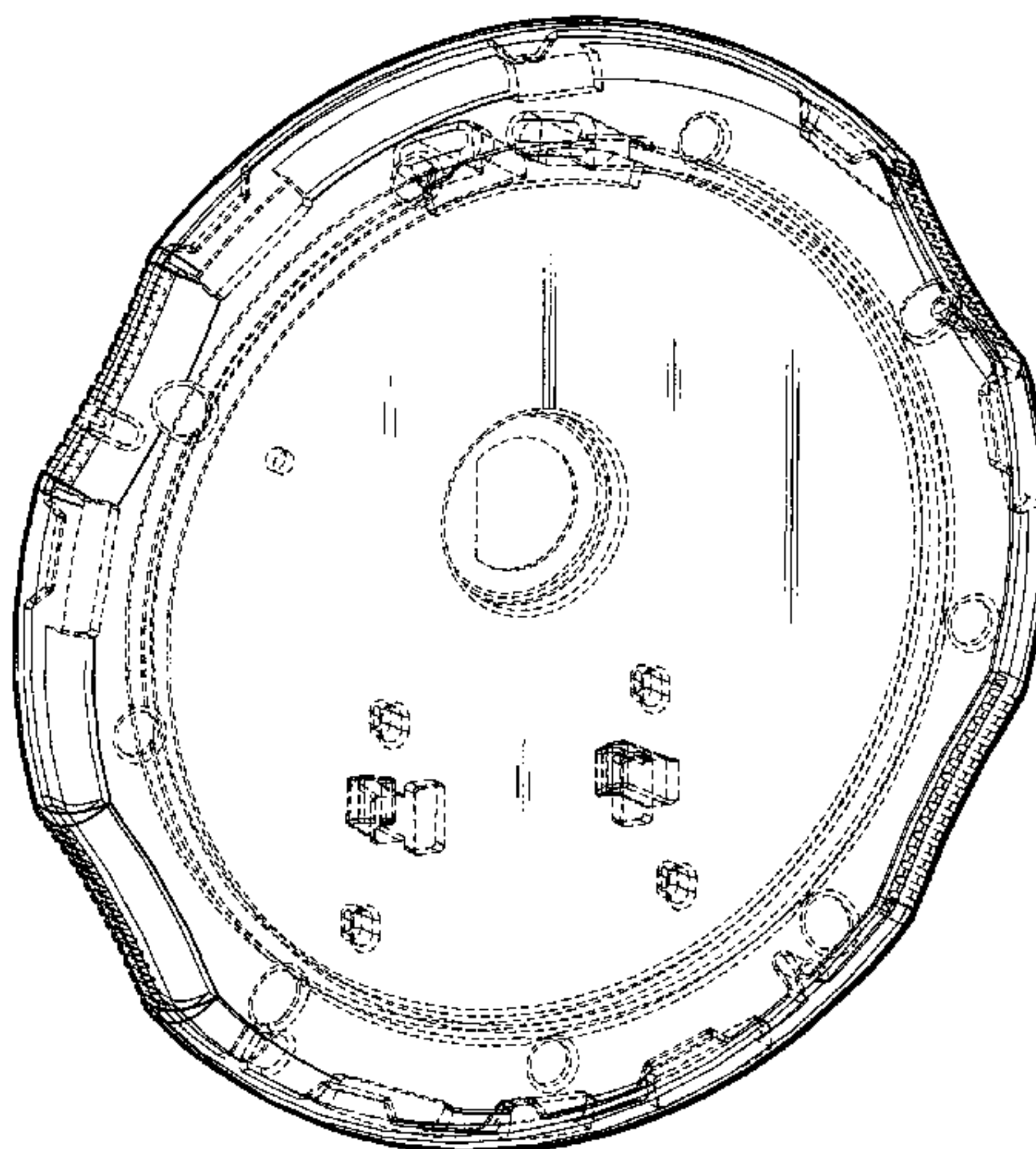
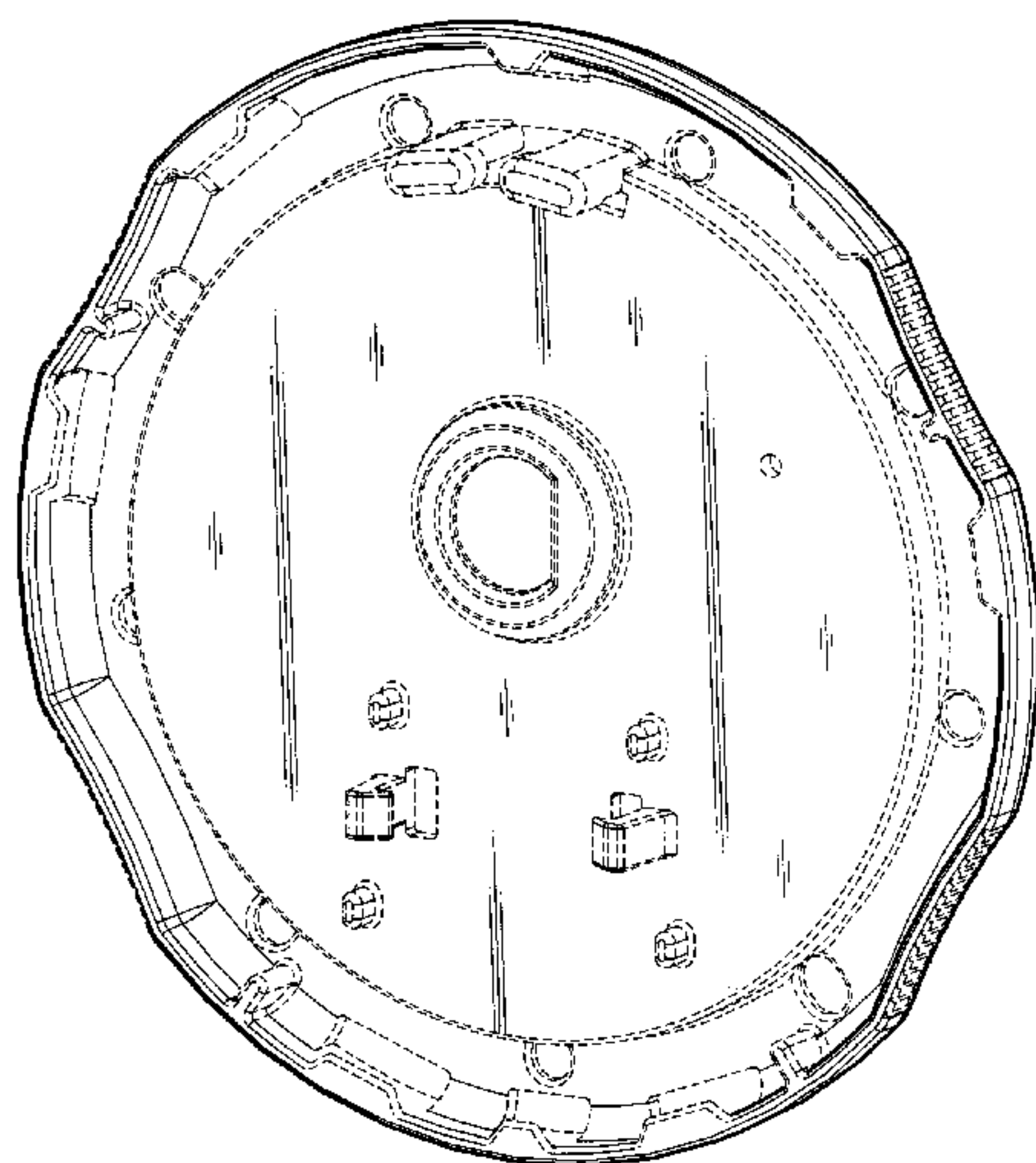
The ornamental design for a suture package, as shown and described.

DESCRIPTION

FIG. 1 is a top perspective view of a suture package;
FIG. 2 is a top plan view;
FIG. 3 is a side view;
FIG. 4 is a side view;
FIG. 5 is a side view;
FIG. 6 is a side view;
FIG. 7 is a bottom plan view; and,
FIG. 8 is a bottom perspective view.

The broken lines immediately adjacent to the shaded areas represent the bounds of the claimed design while all other broken lines showing portions of the suture package are included for illustrating environmental structure and form no part of the claimed design.

1 Claim, 6 Drawing Sheets



US D630,325 S

Page 2

| U.S. PATENT DOCUMENTS | | | | | |
|-----------------------|---------|--------------------------|---------------------|---------|------------------------------|
| | | | 6,804,937 B2 * | 10/2004 | Dey et al. 206/63.3 |
| | | | 6,915,623 B2 * | 7/2005 | Dey et al. 53/430 |
| | | | 7,520,382 B2 * | 4/2009 | Kennedy et al. 206/63.3 |
| | | | 7,637,369 B2 * | 12/2009 | Kennedy et al. 206/63.3 |
| | | | 7,665,279 B2 * | 2/2010 | Prescott 53/430 |
| | | | 2004/0050721 A1 | 3/2004 | Roby et al. |
| | | | 2005/0035007 A1 | 2/2005 | Kennedy et al. |
| | | | 2006/0226031 A1 | 10/2006 | Kennedy et al. |
| | | | 2007/0227914 A1 | 10/2007 | Cerwin et al. |
| | | | 2007/0256945 A1 | 11/2007 | Kennedy et al. |
| | | | 2008/0185752 A1 | 8/2008 | Cerwin et al. |
| | | | 2009/0205987 A1 | 8/2009 | Kennedy et al. |
| | | | 2009/0250356 A1 | 10/2009 | Kirsch et al. |
| | | | 2010/0084294 A1 * | 4/2010 | Kirsch et al. 206/370 |
| | | | * cited by examiner | | |
| 5,733,293 A | 3/1998 | Scirica et al. | | | |
| 5,755,729 A | 5/1998 | de la Torre et al. | | | |
| 5,833,055 A | 11/1998 | Cerwin et al. | | | |
| 5,887,706 A | 3/1999 | Pohle et al. | | | |
| 5,906,273 A | 5/1999 | Pohle et al. | | | |
| 6,047,815 A | 4/2000 | Cerwin et al. | | | |
| 6,076,659 A | 6/2000 | Baumgartner et al. | | | |
| 6,135,272 A | 10/2000 | Sobel et al. | | | |
| 6,260,699 B1 | 7/2001 | Kaplan et al. | | | |
| 6,463,719 B2 * | 10/2002 | Dey et al. 206/63.3 | | | |
| 6,464,071 B2 | 10/2002 | Baumgartner | | | |
| 6,481,568 B1 | 11/2002 | Cerwin et al. | | | |
| 6,533,112 B2 | 3/2003 | Warnecke | | | |
| 6,644,469 B2 | 11/2003 | Alpern | | | |

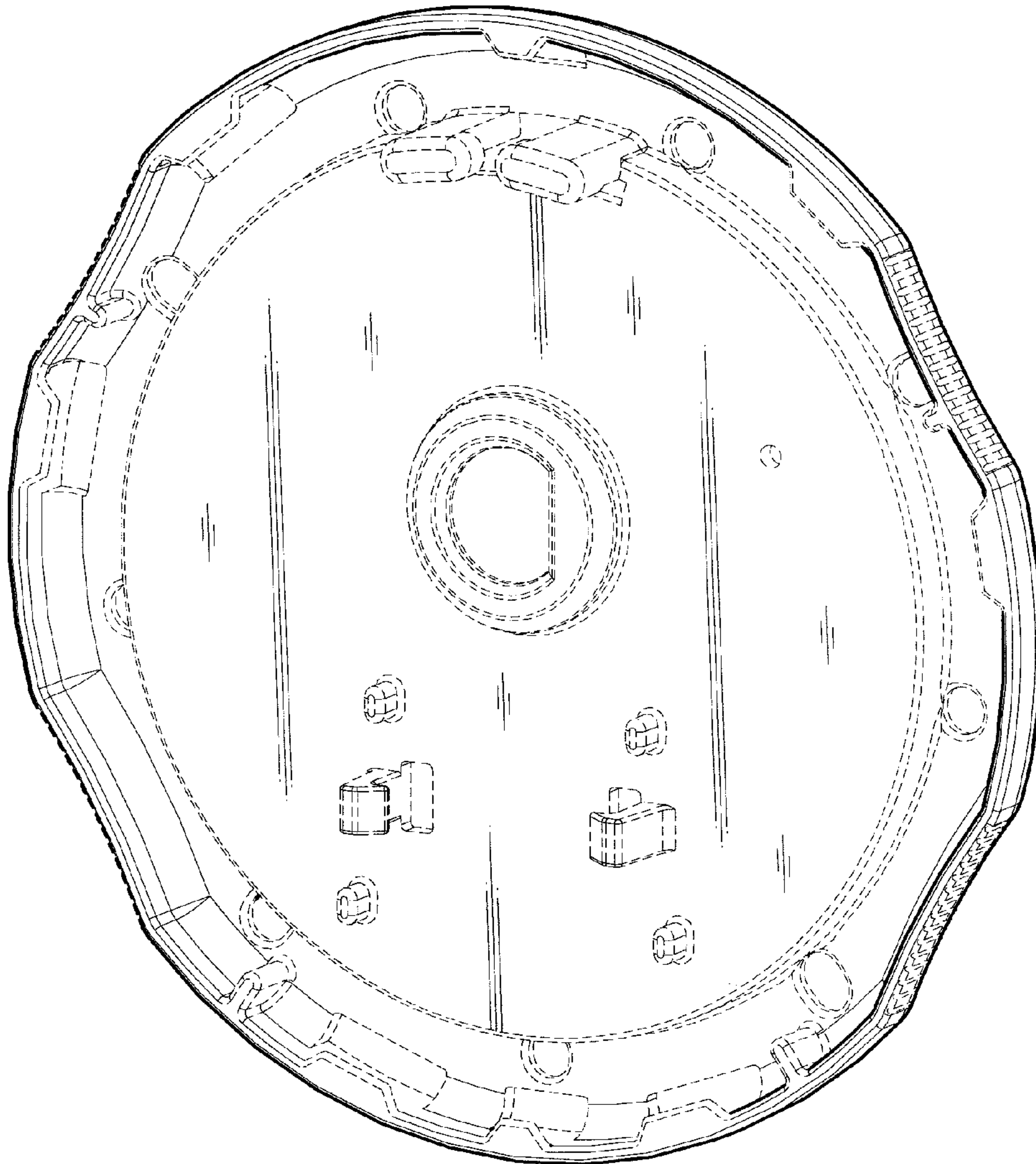


FIG. 1

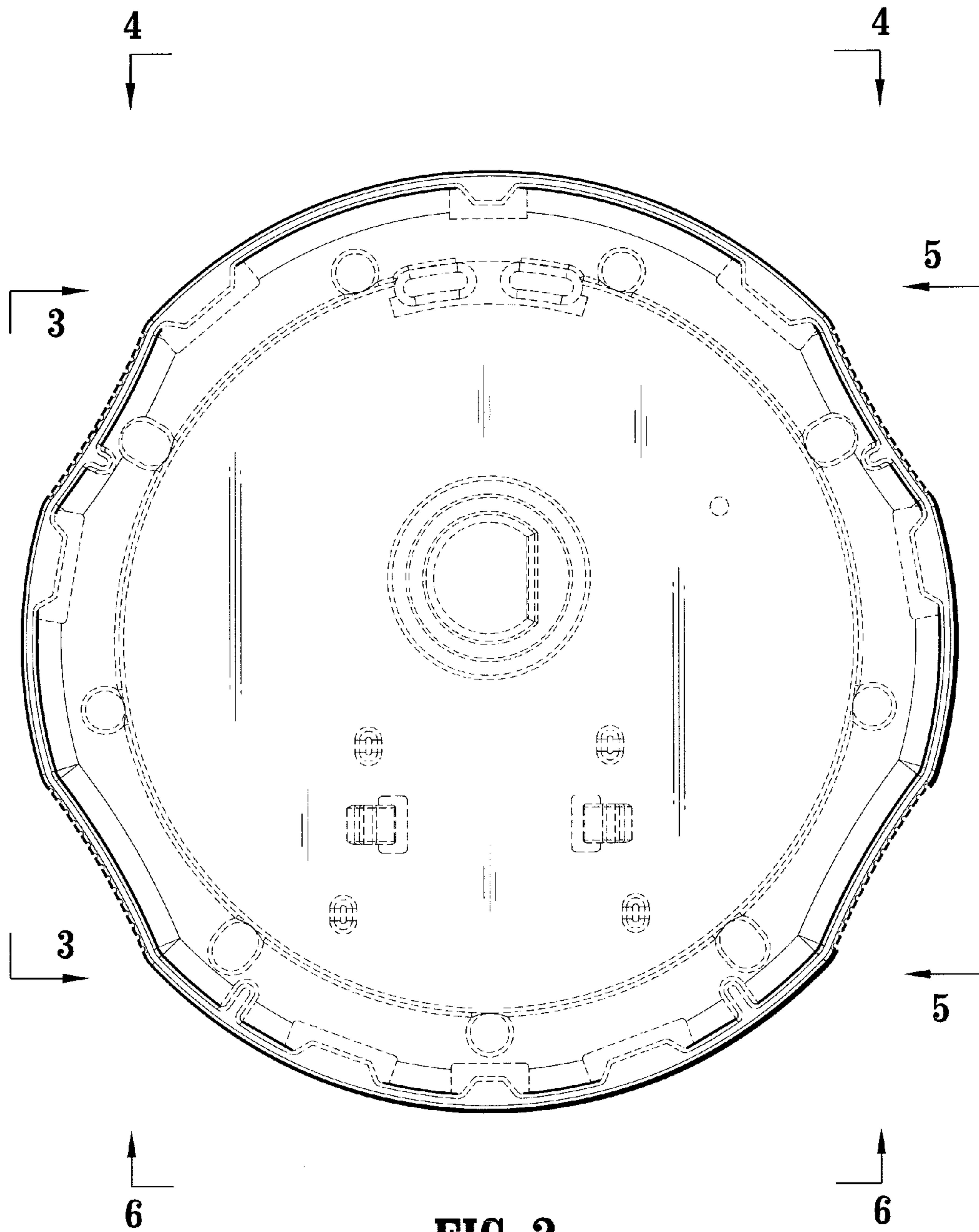


FIG. 2

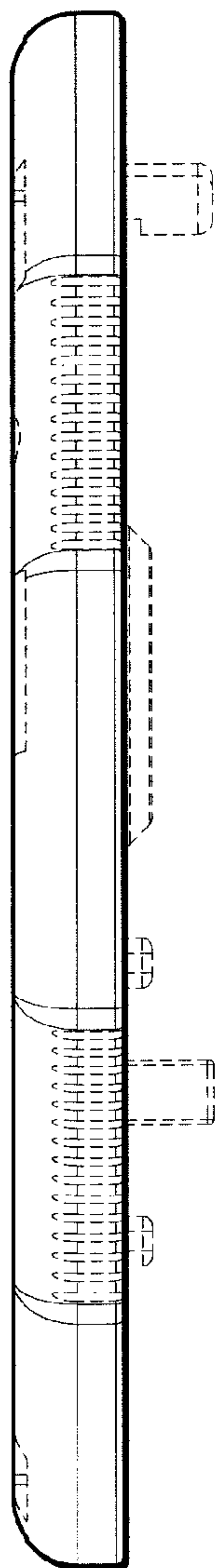


FIG. 3

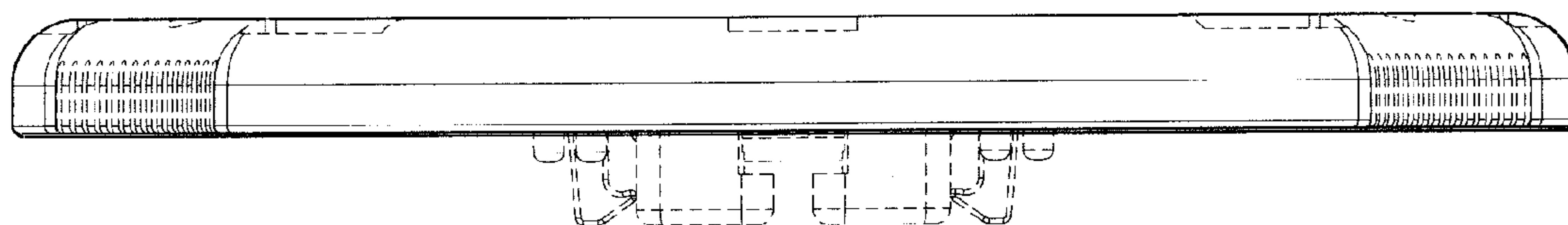


FIG. 4

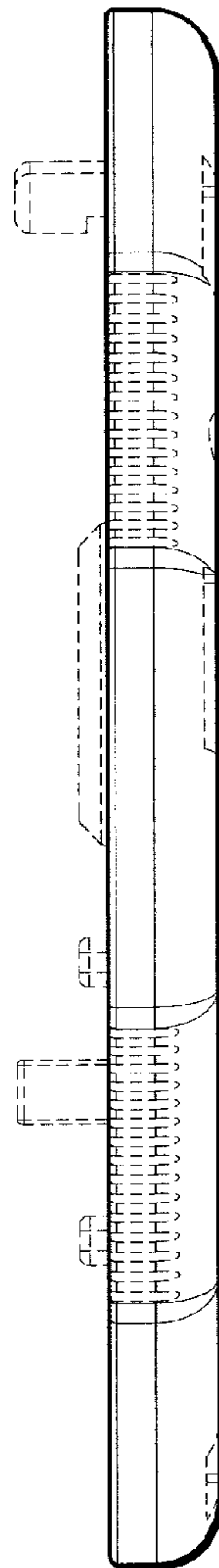


FIG. 5

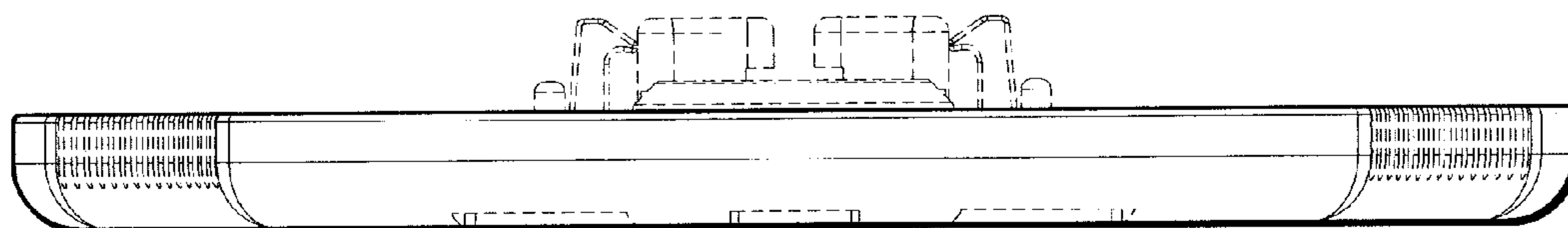


FIG. 6

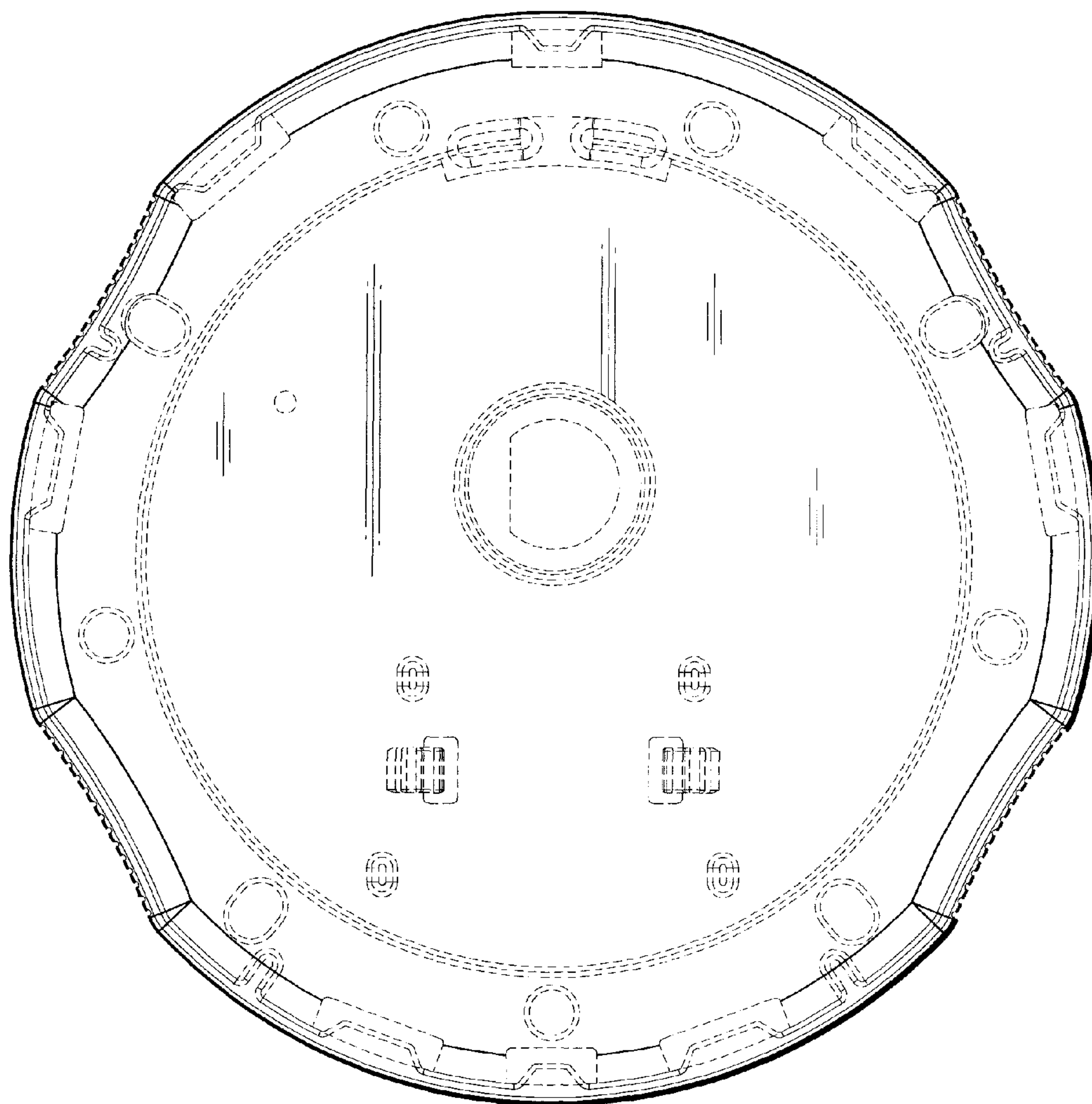


FIG. 7

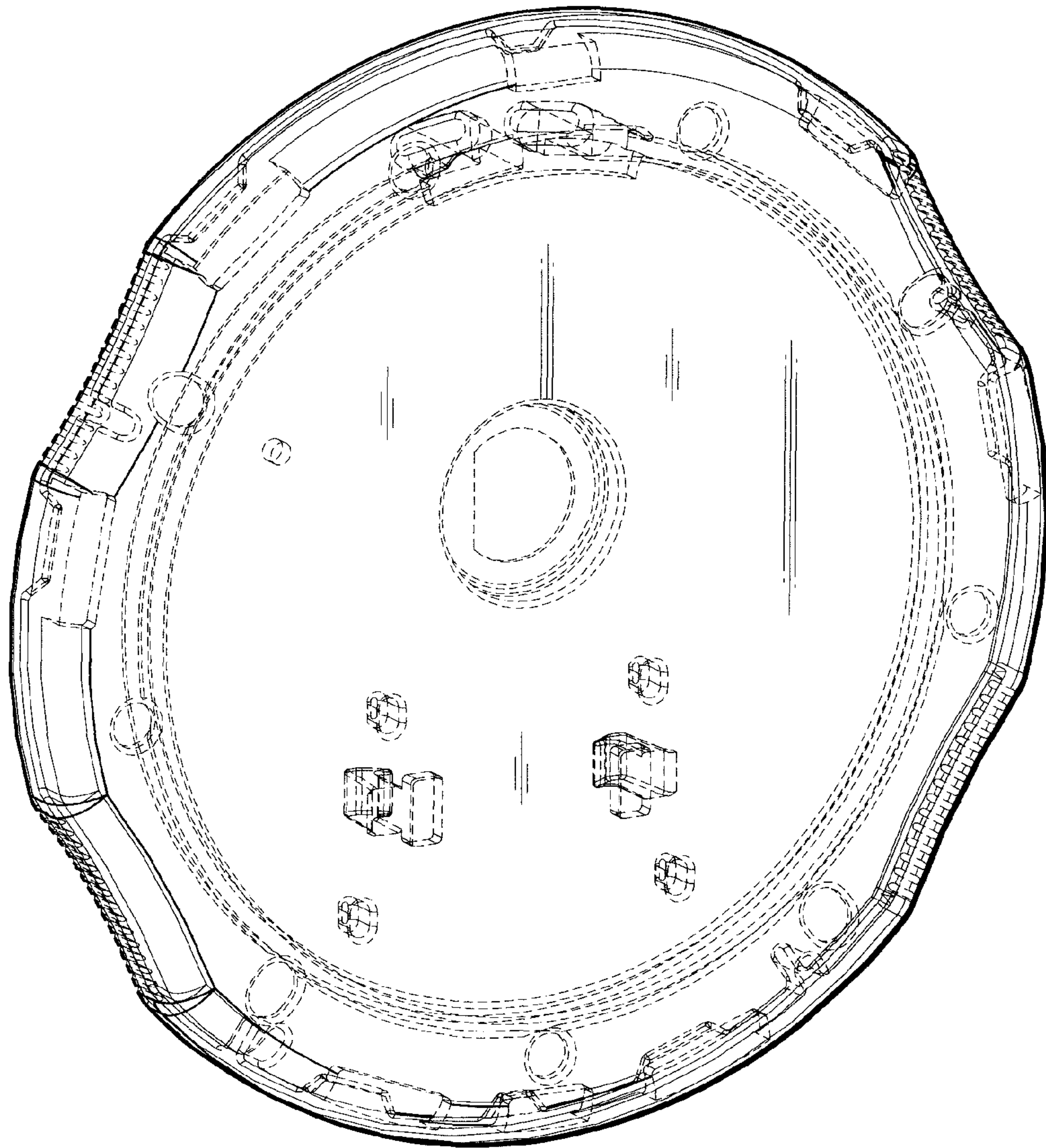


FIG. 8