



US00D630324S

(12) **United States Design Patent**  
**Reschke**

(10) **Patent No.:** **US D630,324 S**  
(45) **Date of Patent:** **\*\* Jan. 4, 2011**

(54) **DISSECTING SURGICAL JAW**

6,860,880 B2 3/2005 Treat et al.

(75) Inventor: **Arlan J. Reschke**, Longmont, CO (US)

(Continued)

(73) Assignee: **TYCO Healthcare Group LP**, Boulder, CO (US)

FOREIGN PATENT DOCUMENTS

DE 2415263 10/1975

(\*\*) Term: **14 Years**

(Continued)

(21) Appl. No.: **29/341,415**

OTHER PUBLICATIONS

(22) Filed: **Aug. 5, 2009**

Michael Choti, "Abdominoperineal Resection with the LigaSure Vessel Sealing System and LigaSure Atlas 20 cm Open Instrument"; Innovations That Work, Jun. 2003.

(51) **LOC (9) Cl.** ..... **24-02**

(Continued)

(52) **U.S. Cl.** ..... **D24/143; D24/144; D24/146; D24/148**

*Primary Examiner*—Stella M Reid  
*Assistant Examiner*—Wan Laymon

(58) **Field of Classification Search** ..... D24/133, D24/145-148, 143; D8/52, 57; 606/48, 606/51-52, 170, 205-208

(57) **CLAIM**

See application file for complete search history.

The ornamental design for a dissecting surgical jaw, as shown and described.

(56) **References Cited**

U.S. PATENT DOCUMENTS

3,862,630	A	1/1975	Balamuth	
5,591,181	A	1/1997	Stone et al.	
5,665,100	A	9/1997	Yoon	
5,674,220	A	10/1997	Fox et al.	
5,755,717	A	5/1998	Yates et al.	
5,797,927	A	8/1998	Yoon	
5,810,877	A	9/1998	Roth et al.	
5,893,863	A	4/1999	Yoon	
5,984,938	A	11/1999	Yoon	
6,050,996	A *	4/2000	Schmaltz et al.	606/51
6,083,223	A	7/2000	Baker	
6,113,598	A	9/2000	Baker	
6,270,508	B1	8/2001	Klieman et al.	
6,352,536	B1 *	3/2002	Buyse et al.	606/51
6,464,704	B2 *	10/2002	Schmaltz et al.	606/51
7,150,097	B2	6/2003	Sremcich et al.	
6,685,724	B1	2/2004	Haluck	
6,689,131	B2	2/2004	McClurken	
6,702,810	B2	3/2004	McClurken et al.	

**DESCRIPTION**

FIG. 1 is a left side perspective view of a dissecting surgical jaw in accordance of the present design;

FIG. 2 is a right side perspective view of a dissecting surgical jaw of FIG. 1;

FIG. 3 is a top plan view of the dissecting surgical jaw;

FIG. 4 is a bottom plan view of the dissecting surgical jaw;

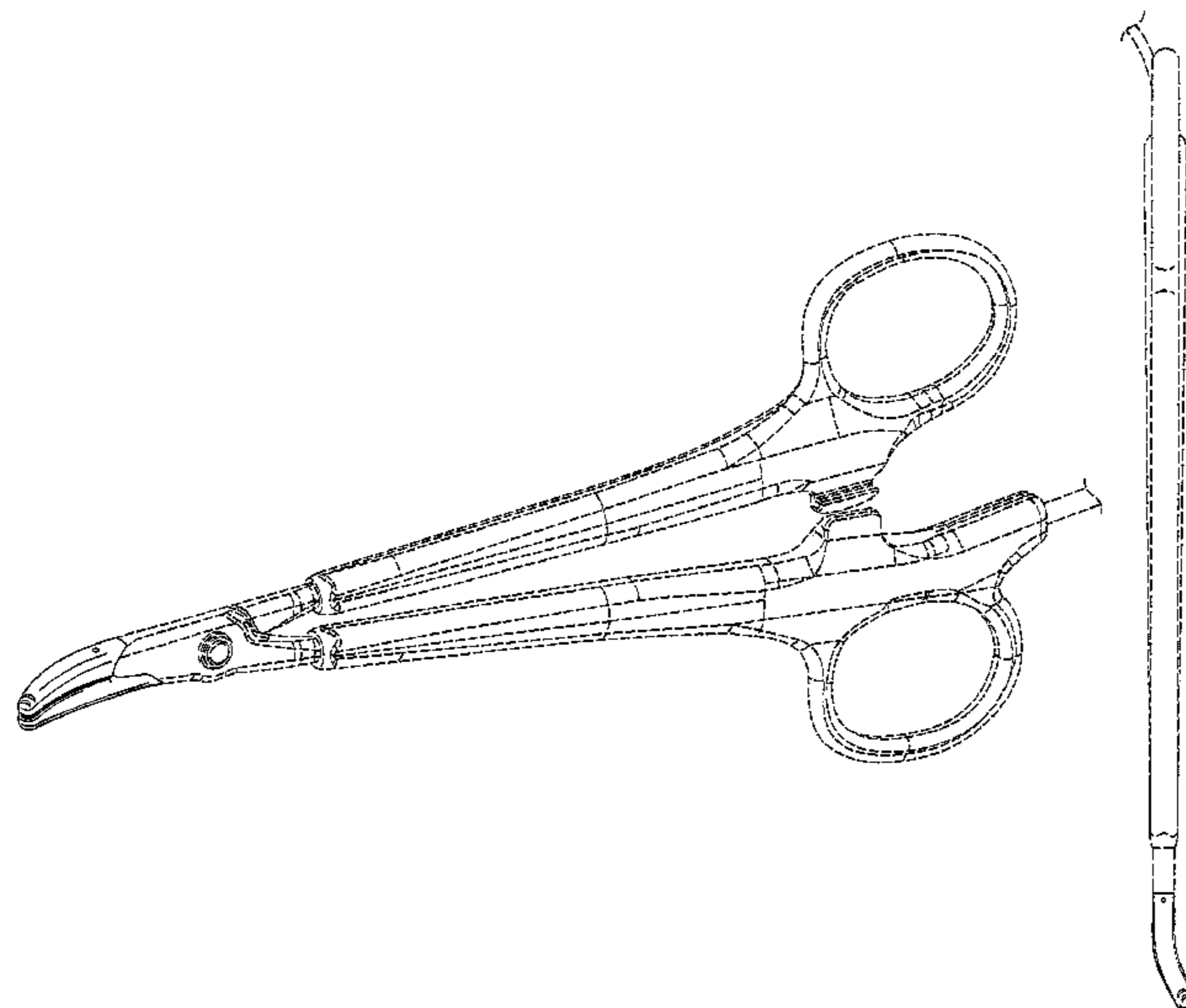
FIG. 5 is a right side elevation view of the dissecting surgical jaw;

FIG. 6 is a left side elevation view of the dissecting surgical jaw; and,

FIG. 7 is a front elevation view of the dissecting surgical jaw.

In FIGS. 1-7, the features of the dissecting surgical jaw shown in phantom lines are for illustrative purposes only and do not constitute a part of the claimed design.

**1 Claim, 6 Drawing Sheets**



U.S. PATENT DOCUMENTS

D538,932	S *	3/2007	Malik .....	D24/143
D575,401	S *	8/2008	Hixson et al. ....	D24/146
7,594,916	B2 *	9/2009	Weinberg .....	606/51
7,744,615	B2 *	6/2010	Couture .....	606/51
7,766,910	B2 *	8/2010	Hixson et al. ....	606/51
2003/0069571	A1	4/2003	Treat et al.	
2003/0199869	A1 *	10/2003	Johnson et al. ....	606/51
2004/0030330	A1	2/2004	Brassell et al.	
2005/0033278	A1	2/2005	McClurken et al.	
2006/0079891	A1 *	4/2006	Arts et al. ....	606/51
2006/0116675	A1	6/2006	McClurken et al.	
2007/0118115	A1 *	5/2007	Artale et al. ....	606/51
2009/0306660	A1	12/2009	Johnson et al.	
2010/0016857	A1	1/2010	McKenna et al.	
2010/0023009	A1	1/2010	Moses et al.	
2010/0036375	A1	2/2010	Regadas	
2010/0042140	A1	2/2010	Cunningham	
2010/0042142	A1	2/2010	Cunningham	
2010/0042143	A1	2/2010	Cunningham	
2010/0049187	A1	2/2010	Carlton et al.	
2010/0057081	A1	3/2010	Hanna	
2010/0057082	A1	3/2010	Hanna	
2010/0057083	A1	3/2010	Hanna	
2010/0057084	A1	3/2010	Hanna	
2010/0063500	A1	3/2010	Muszala	
2010/0069903	A1	3/2010	Allen, IV et al.	
2010/0069904	A1	3/2010	Cunningham	
2010/0069953	A1	3/2010	Cunningham et al.	
2010/0076427	A1	3/2010	Heard	
2010/0076430	A1	3/2010	Romero	
2010/0076431	A1	3/2010	Allen, IV	
2010/0076432	A1	3/2010	Horner	
2010/0087816	A1	4/2010	Roy	
2010/0087818	A1	4/2010	Cunningham	
2010/0094286	A1	4/2010	Chojin	
2010/0094287	A1	4/2010	Cunningham et al.	
2010/0100122	A1	4/2010	Hinton	
2010/0145334	A1	6/2010	Olson et al.	
2010/0179539	A1	7/2010	Nau, Jr.	
2010/0179545	A1	7/2010	Twomey et al.	
2010/0179546	A1	7/2010	Cunningham	
2010/0179547	A1	7/2010	Cunningham et al.	
2010/0249769	A1	9/2010	Nau, Jr. et al.	

FOREIGN PATENT DOCUMENTS

DE	2514501	10/1976
DE	2627679	1/1977
DE	3423356	6/1986
DE	3612646	4/1987
DE	8712328	3/1988
DE	4303882	8/1994
DE	4403252	8/1995
DE	19515914	7/1996
DE	29616210	1/1997
DE	19608716	4/1997
DE	19751106	5/1998
DE	19751108	5/1999
DE	10045375	10/2002
DE	19738457	1/2009
EP	1159926	12/2001
EP	1683496	12/2008
JP	61-501068	9/1984
JP	65-502328	3/1992
JP	5-5106	1/1993
JP	5-40112	2/1993
JP	06343644	12/1994
JP	07265328	10/1995
JP	08056955	3/1996
JP	08252263	10/1996
JP	09010223	1/1997

JP	11-070124	5/1998
JP	2000-102545	9/1998
JP	11244298	9/1999
JP	2000-342599	12/2000
JP	2000-350732	12/2000
JP	2001-008944	1/2001
JP	2001-029356	2/2001
JP	2001-128990	5/2001
SU	401367	11/1974
WO	WO 00/36986	6/2000
WO	WO 01/54604	8/2001
WO	WO 2005/110264	11/2005

OTHER PUBLICATIONS

Chung et al., "Clinical Experience of Sutureless Closed Hemorrhoidectomy with LigaSure" *Diseases of the Colon & Rectum* Vol. 46, No. 1 Jan. 2003.

Carbonell et al., "Comparison of the Gyrus PlasmaKinetic Sealer and the Valleylab LigaSure Device in the Hemostasis of Small, Medium, and Large-Sized Arteries" *Carolinas Laparoscopic and Advanced Surgery Program, Carolinas Medical Center, Charlotte, NC; Date: Aug. 2003.*

Peterson et al. "Comparison of Healing Process Following Ligation with Sutures and Bipolar Vessel Sealing" *Surgical Technology International* (2001).

"Electrosurgery: A Historical Overview" *Innovations in Electrosurgery; Sales/Product Literature; Dec. 31, 2000.*

Johnson et al. "Evaluation of a Bipolar Electrothermal Vessel Sealing Device in Hemorrhoidectomy" *Sales/Product Literature; Jan. 2004.*

E. David Crawford "Evaluation of a New Vessel Sealing Device in Urologic Cancer Surgery" *Sales/Product Literature 2000.*

Johnson et al. "Evaluation of the LigaSure Vessel Sealing System in Hemorrhoidectomy" *American College of Surgeons (ACS) Clinica Congress Poster (2000).*

Muller et al., "Extended Left Hemicolectomy Using the LigaSure Vessel Sealing System" *Innovations That Work, Sep. 1999.*

Kennedy et al. "High-burst-strength, feedback-controlled bipolar vessel sealing" *Surgical Endoscopy (1998) 12: 876-878.*

Carus et al., "Initial Experience With The LigaSure Vessel Sealing System in Abdominal Surgery" *Innovations That Work, Jun. 2002.*

Heniford et al. "Initial Research and Clinical Results with an Electrothermal Bipolar Vessel Sealer" *Oct. 1999.*

Heniford et al. "Initial Results with an Electrothermal Bipolar Vessel Sealer" *Surgical Endoscopy (2000) 15:799-801.*

Herman et al., "Laparoscopic Intestinal Resection With the LigaSure Vessel Sealing System: A Case Report"; *Innovations That Work, Feb. 2002.*

Koyle et al., "Laparoscopic Palomo Varicocele Ligation in Children and Adolescents" *Pediatric Endosurgery & Innovative Techniques, vol. 6, No. 1, 2002.*

W. Scott Helton, "LigaSure Vessel Sealing System: Revolutionary Hemostasis Product for General Surgery"; *Sales/Product Literature 1999.*

LigaSure Vessel Sealing System, the Seal of Confidence in General, Gynecologic, Urologic, and Laparoscopic Surgery; *Sales/Product Literature; Apr. 2002.*

Joseph Ortenberg "LigaSure System Used in Laparoscopic 1st and 2nd Stage Orchiopexy" *Innovations That Work, Nov. 2002.*

Sigel et al. "The Mechanism of Blood Vessel Closure by High Frequency Electrocoagulation" *Surgery Gynecology & Obstetrics, Oct. 1965 pp. 823-831.*

Sampayan et al., "Multilayer Ultra-High Gradient Insulator Technology" *Discharges and Electrical Insulation in Vacuum, 1998. Netherlands Aug. 17-21, 1998; vol. 2, pp. 740-743.*

Paul G. Horgan, "A Novel Technique for Parenchymal Division During Hepatectomy" *The American Journal of Surgery, vol. 181, No. 3, Apr. 2001 pp. 236-237.*

Olsson et al. "Radical Cystectomy in Females" *Current Surgical Techniques in Urology, vol. 14, Issue 3, 2001.*

Palazzo et al. "Randomized clinical trial of Ligasure versus open haemorrhoidectomy" *British Journal of Surgery 2002, 89, 154-157.*

- Levy et al. "Randomized Trial of Suture Versus Electrosurgical Bipolar Vessel Sealing in Vaginal Hysterectomy" *Obstetrics & Gynecology*, vol. 102, No. 1, Jul. 2003.
- "Reducing Needlestick Injuries in the Operating Room" Sales/Product Literature 2001.
- Bergdahl et al. "Studies on Coagulation and the Development of an Automatic Computerized Bipolar Coagulator" *J. Neurosurg*, vol. 75, Jul. 1991, pp. 148-151.
- Strasberg et al. "A Phase I Study of the LigaSure Vessel Sealing System in Hepatic Surgery" Section of HPB Surger, Washington University School of Medicine, St. Louis MO, Presented at AHPBA, Feb. 2001.
- Sayfan et al. "Sutureless Closed Hemorrhoidectomy: A New Technique" *Annals of Surgery* vol. 234 No. 1 Jul. 2001; pp. 21-24.
- Levy et al., "Update on Hysterectomy—New Technologies and Techniques" *OBG Management*, Feb. 2003.
- Dulemba et al. "Use of a Bipolar Electrothermal Vessel Sealer in Laparoscopically Assisted Vaginal Hysterectomy" Sales/Product Literature; Jan. 2004.
- Strasberg et al., "Use of a Bipolar Vessel-Sealing Device for Parenchymal Transection During Liver Surgery" *Journal of Gastrointestinal Surgery*, vol. 6, No. 4, Jul./Aug. 2002 pp. 569-574.
- Sengupta et al., "Use of a Computer-Controlled Bipolar Diathermy System in Radical Prostatectomies and Other Open Urological Surgery" *ANZ Journal of Surgery* (2001) 71.9 pp. 538-540.
- Rothenberg et al. "Use of the LigaSure Vessel Sealing System in Minimally Invasive Surgery in Children" *Int'l Pediatric Endosurgery Group (IPEG)* 2000.
- Crawford et al. "Use of the LigaSure Vessel Sealing System in Urologic Cancer Surgery" *Grand Rounds in Urology* 1999 vol. 1 Issue 4 pp. 10-17.
- Craig Johnson, "Use of the LigaSure Vessel Sealing System in Bloodless Hemorrhoidectomy" *Innovations That Work*, Mar. 2000.
- Levy et al. "Use of a New Energy-based Vessel Ligation Device During Vaginal Hysterectomy" *Int'l Federation of Gynecology and Obstetrics (FIGO) World Congress* 1999.
- Barbara Levy, "Use of a New Vessel Ligation Device During Vaginal Hysterectomy" *FIGO* 2000, Washington, D.C.
- E. David Crawford "Use of a Novel Vessel Sealing Technology in Management of the Dorsal Venous Complex" Sales/Product Literature 2000.
- Jarrett et al., "Use of the LigaSure Vessel Sealing System for Perihilar Vessels in Laparoscopic Nephrectomy" Sales/Product Literature 2000.
- Crouch et al. "A Velocity-Dependent Model for Needle Insertion in Soft Tissue" *MICCAI* 2005; LNCS 3750 pp. 624-632, Dated: 2005.
- McLellan et al. "Vessel Sealing for Hemostasis During Pelvic Surgery" *Int'l Federation of Gynecology and Obstetrics FIGO World Congress* 2000, Washington, D.C.
- McLellan et al. "Vessel Sealing for Hemostasis During Gynecologic Surgery" Sales/Product Literature 1999.
- Int'l Search Report EP 98944778.4 dated Oct. 31, 2000.
- Int'l Search Report EP 98957771 dated Aug. 9, 2001.
- Int'l Search Report EP 98958575.7 dated Sep. 20, 2002.
- Int'l Search Report EP 04013772.1 dated Apr. 1, 2005.
- Int'l Search Report EP 04027314.6 dated Mar. 10, 2005.
- Int'l Search Report EP 04027479.7 dated Mar. 8, 2005.
- Int'l Search Report EP 04027705.5 dated Feb. 3, 2005.
- Int'l Search Report EP 04752343.6 dated Jul. 20, 2007.
- Int'l Search Report EP 05002671.5 dated Dec. 22, 2008.
- Int'l Search Report EP 05002674.9 dated Jan. 16, 2009.
- Int'l Search Report EP 05013463.4 dated Oct. 7, 2005.
- Int'l Search Report EP 05013895.7 dated Oct. 21, 2005.
- Int'l Search Report EP 05016399.7 dated Jan. 13, 2006.
- Int'l Search Report EP 05017281.6 dated Nov. 24, 2005.
- Int'l Search Report EP 05019130.3 dated Oct. 27, 2005.
- Int'l Search Report EP 05019429.9 dated May 6, 2008.
- Int'l Search Report EP 05020665.5 dated Feb. 27, 2006.
- Int'l Search Report EP 05020666.3 dated Feb. 27, 2006.
- Int'l Search Report EP 05021197.8 dated Feb. 20, 2006.
- Int'l Search Report EP 05021779.3 dated Feb. 2, 2006.
- Int'l Search Report EP 05021780.1 dated Feb. 23, 2006.
- Int'l Search Report EP 05021937.7 dated Jan. 23, 2006.
- Int'l Search Report—extended—EP 05021937.7 dated Mar. 15, 2006.
- Int'l Search Report EP 05023017.6 dated Feb. 24, 2006.
- Int'l Search Report EP 06002279.5 dated Mar. 30, 2006.
- Int'l Search Report EP 06005185.1 dated May 10, 2006.
- Int'l Search Report EP 06006716.2 dated Aug. 4, 2006.
- Int'l Search Report EP 06008515.6 dated Jan. 8, 2009.
- Int'l Search Report EP 06008779.8 dated Jul. 13, 2006.
- Int'l Search Report EP 06014461.5 dated Oct. 31, 2006.
- Int'l Search Report EP 06020574.7 dated Oct. 2, 2007.
- Int'l Search Report EP 06020583.8 dated Feb. 7, 2007.
- Int'l Search Report EP 06020584.6 dated Feb. 1, 2007.
- Int'l Search Report EP 06020756.0 dated Feb. 16, 2007.
- Int'l Search Report EP 06 024122.1 dated Apr. 16, 2007.
- Int'l Search Report EP 06024123.9 dated Mar. 6, 2007.
- Int'l Search Report EP 07 001480.8 dated Apr. 19, 2007.
- Int'l Search Report EP 07 001488.1 dated Jun. 5, 2007.
- Int'l Search Report EP 07 009026.1 dated Oct. 8, 2007.
- Int'l Search Report Extended—EP 07 009029.5 dated Jul. 20, 2007.
- Int'l Search Report EP 07 009321.6 dated Aug. 28, 2007.
- Int'l Search Report EP 07 010672.9 dated Oct. 16, 2007.
- Int'l Search Report EP 07 013779.9 dated Oct. 26, 2007.
- Int'l Search Report EP 07 014016 dated Jan. 28, 2008.
- Int'l Search Report EP 07 015191.5 dated Jan. 23, 2008.
- Int'l Search Report EP 07 015601.3 dated Jan. 4, 2008.
- Int'l Search Report EP 07 020283.3 dated Feb. 5, 2008.
- Int'l Search Report EP 07 021646.0 dated Mar. 20, 2008.
- Int'l Search Report EP 07 021646.0 dated Jul. 9, 2008.
- Int'l Search Report EP 07 021647.8 dated May 2, 2008.
- Int'l Search Report EP 08 002692.5 dated Dec. 12, 2008.
- Int'l Search Report EP 08 004655.0 dated Jun. 24, 2008.
- Int'l Search Report EP 08 006732.5 dated Jul. 29, 2008.
- Int'l Search Report EP 08 006917.2 dated Jul. 3, 2008.
- Int'l Search Report EP 08 016539.2 dated Jan. 8, 2009.
- Int'l Search Report EP 09 003813.4 dated Aug. 3, 2009.
- Int'l Search Report EP 09 004491.8 dated Sep. 9, 2009.
- Int'l Search Report EP 09 005575.7 dated Sep. 9, 2009.
- Int'l Search Report EP 09 152267.2 dated Jun. 15, 2009.
- Int'l Search Report EP 09 152898.4 dated Jun. 10, 2009.
- Int'l Search Report EP 09 154850.3 dated Jul. 20, 2009.
- Int'l Search Report EP 09 160476.9 dated Aug. 4, 2009.
- Int'l Search Report EP 09 164903.8 dated Aug. 21, 2009.
- Int'l Search Report PCT/US98/18640 dated Jan. 29, 1999.
- Int'l Search Report PCT/US98/23950 dated Jan. 14, 1999.
- Int'l Search Report PCT/US98/24281 dated Feb. 22, 1999.
- Int'l Search Report PCT/US99/24869 dated Feb. 3, 2000.
- Int'l Search Report PCT/US01/11218 dated Aug. 14, 2001.
- Int'l Search Report PCT/US01/11224 dated Nov. 13, 2001.
- Int'l Search Report PCT/US01/11340 dated Aug. 16, 2001.
- Int'l Search Report PCT/US01/11420 dated Oct. 16, 2001.
- Int'l Search Report PCT/US02/01890 dated Jul. 25, 2002.
- Int'l Search Report PCT/US02/11100 dated Jul. 16, 2002.
- Int'l Search Report PCT/US03/28534 dated Dec. 19, 2003.
- Int'l Search Report PCT/US04/03436 dated Mar. 3, 2005.
- Int'l Search Report PCT/US04/13273 dated Dec. 15, 2004.
- Int'l Search Report PCT/US04/15311 dated Jan. 12, 2005.
- Int'l Search Report PCT/US07/021438 dated Apr. 1, 2008.
- Int'l Search Report PCT/US07/021440 dated Apr. 8, 2008.
- Int'l Search Report PCT/US08/61498 dated Sep. 22, 2008.
- Int'l Search Report PCT/US09/032690 dated Jun. 16, 2009.
- U.S. Appl. No. 12/411,542, filed Mar. 26, 2009, Not Yet Published.
- U.S. Appl. No. 12/419,729, filed Apr. 7, 2009, Not Yet Published.
- U.S. Appl. No. 12/429,533, filed Apr. 24, 2009, Not Yet Published.
- U.S. Appl. No. 12/434,382, filed May 1, 2009, Not Yet Published.
- U.S. Appl. No. 12/503,256, filed Jul. 15, 2009, Not Yet Published.
- U.S. Appl. No. 12/535,869, filed Aug. 5, 2009, Not Yet Published.
- U.S. Appl. No. 12/543,831, filed Aug. 19, 2009, Not Yet Published.
- U.S. Appl. No. 12/548,031, filed Aug. 26, 2009, Not Yet Published.
- U.S. Appl. No. 12/548,534, filed Aug. 27, 2009, Not Yet Published.
- U.S. Appl. No. 12/548,566, filed Aug. 27, 2009, Not Yet Published.
- U.S. Appl. No. 12/551,944, filed Sep. 1, 2009, Not Yet Published.
- U.S. Appl. No. 12/553,509, filed Sep. 3, 2009, Not Yet Published.
- U.S. Appl. No. 12/556,025, filed Sep. 9, 2009, Not Yet Published.

# US D630,324 S

Page 4

---

U.S. Appl. No. 12/556,407, filed Sep. 9, 2009, Not Yet Published.  
U.S. Appl. No. 12/556,427, filed Sep. 9, 2009, Not Yet Published.  
U.S. Appl. No. 12/556,796, filed Sep. 10, 2009, Not Yet Published.  
U.S. Appl. No. 12/562,281, filed Sep. 18, 2009, Not Yet Published.  
U.S. Appl. No. 12/565,281, filed Sep. 23, 2009, Not Yet Published.  
U.S. Appl. No. 12/568,199, filed Sep. 28, 2009, Not Yet Published.  
U.S. Appl. No. 12/568,282, filed Sep. 28, 2009, Not Yet Published.

U.S. Appl. No. 12/569,395, filed Sep. 29, 2009, Not Yet Published.  
U.S. Appl. No. 12/569,710, filed Sep. 29, 2009, Not Yet Published.  
U.S. Appl. No. 12/574,001, filed Oct. 6, 2009, Not Yet Published.  
U.S. Appl. No. 12/574,292, filed Oct. 6, 2009, Not Yet Published.  
U.S. Appl. No. 12/576,380, filed Oct. 9, 2009, Not Yet Published.  
U.S. Appl. No. 12/607,191, filed Oct. 28, 2009, Not Yet Published.

\* cited by examiner

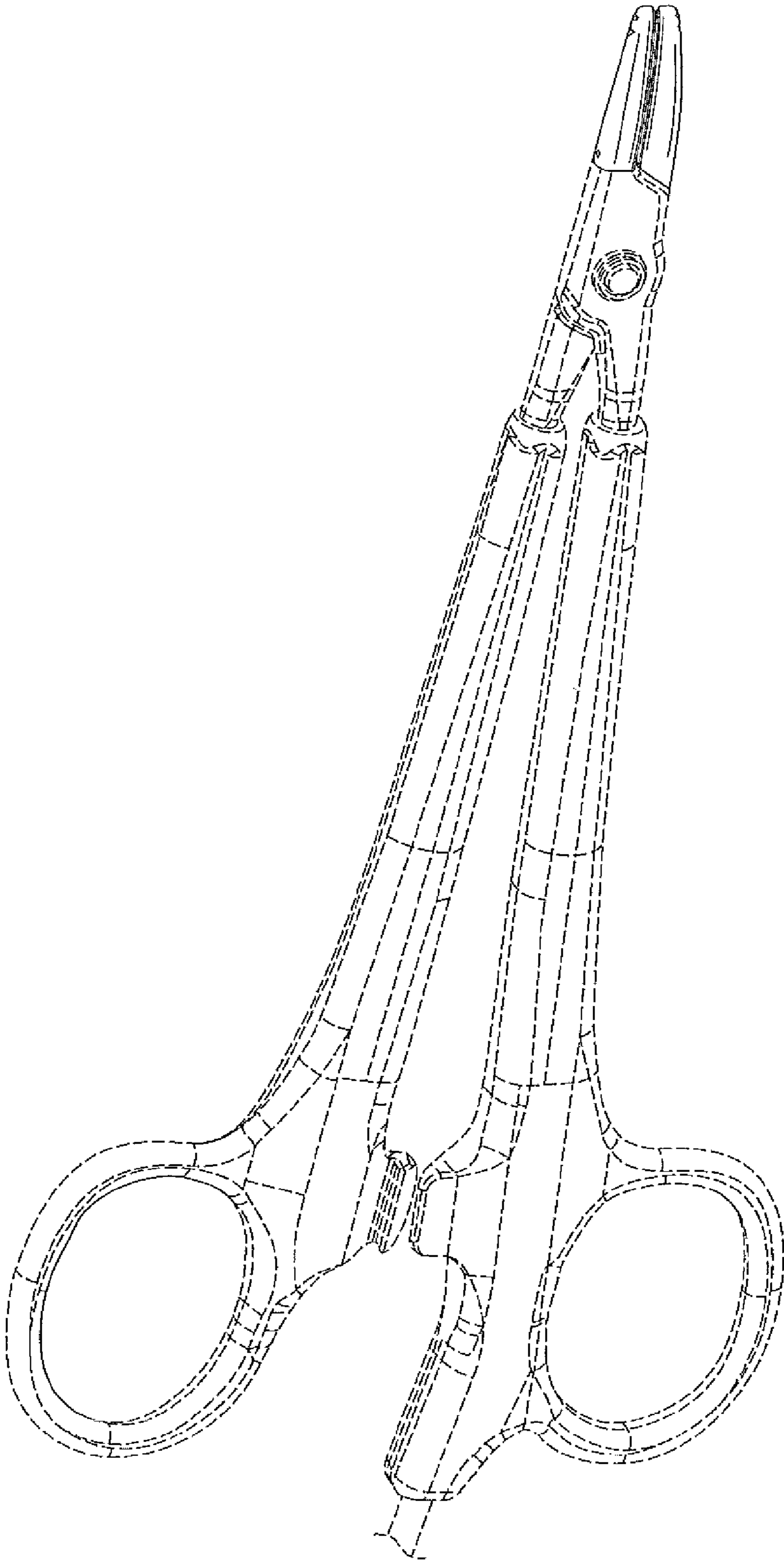


FIG. 1

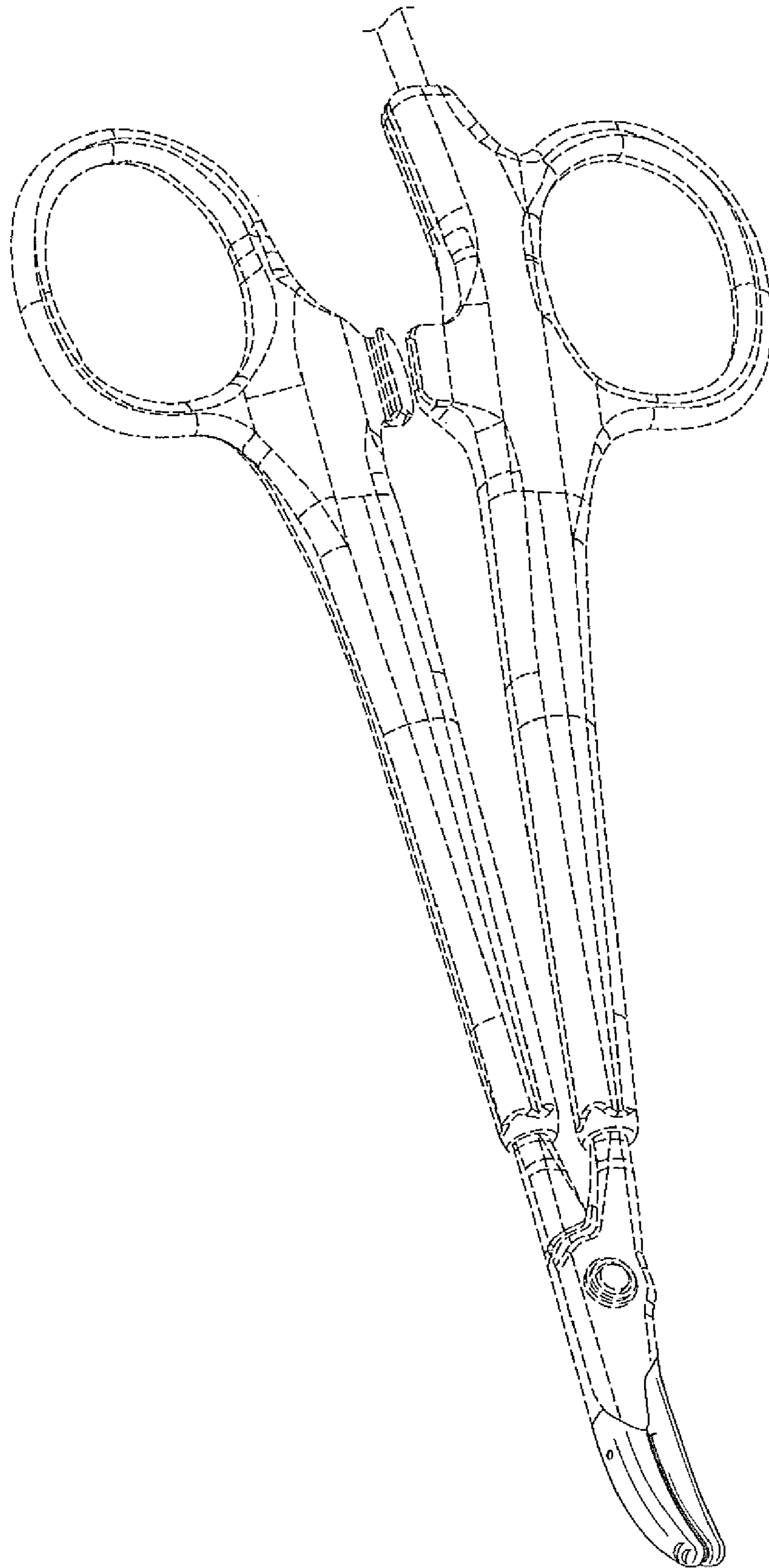


FIG. 2

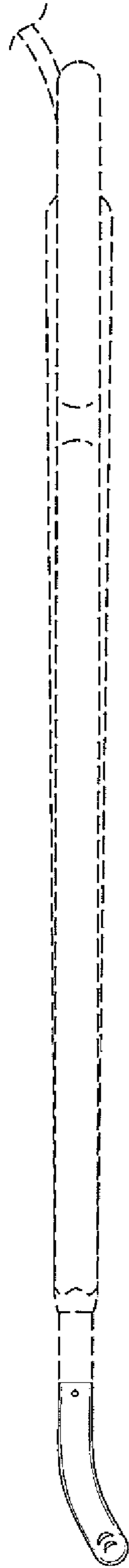


FIG. 3

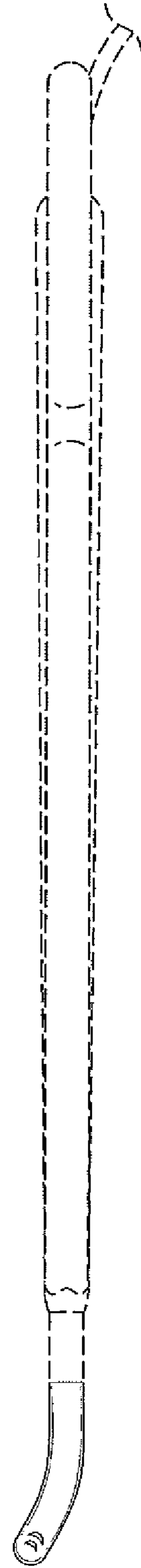


FIG. 4

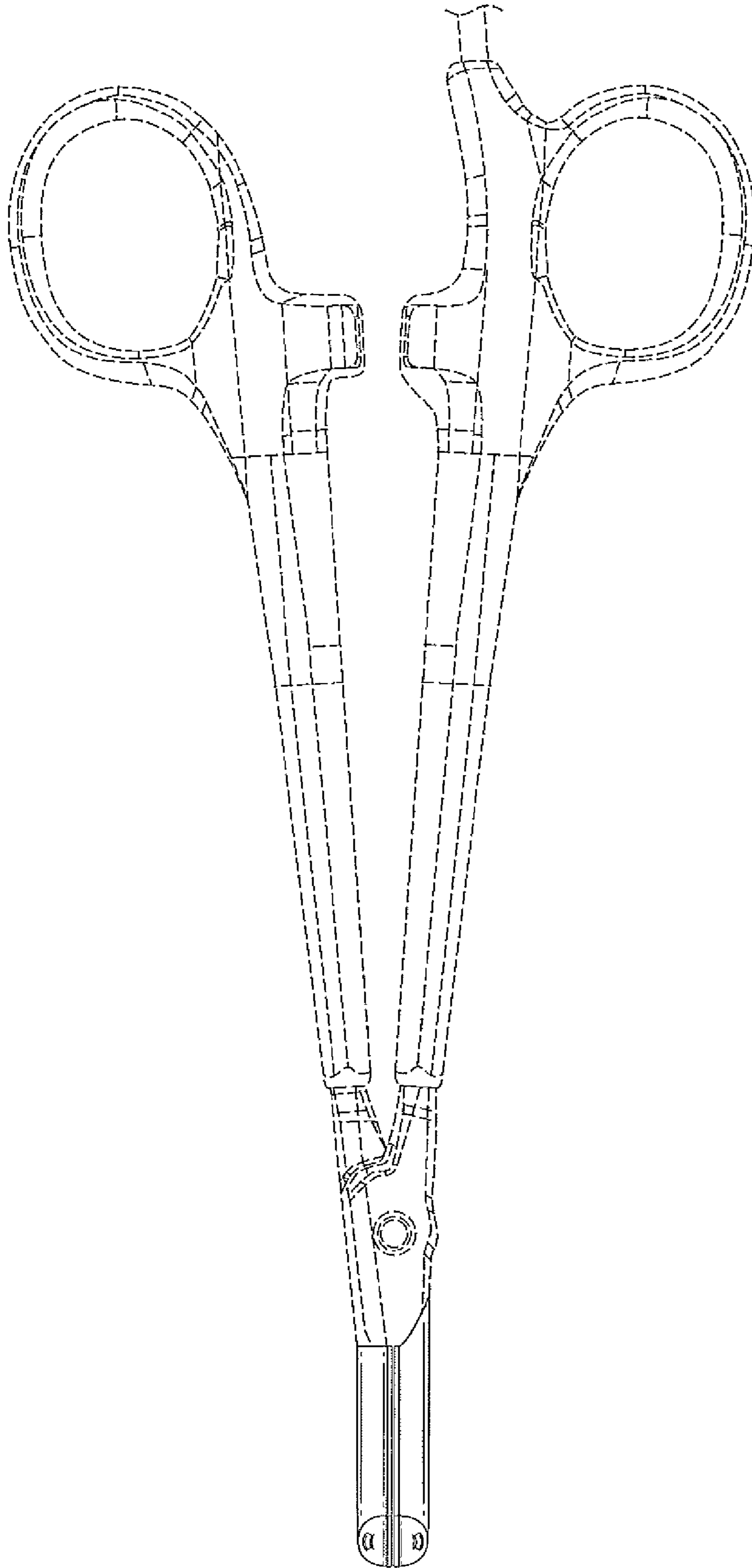


FIG. 5



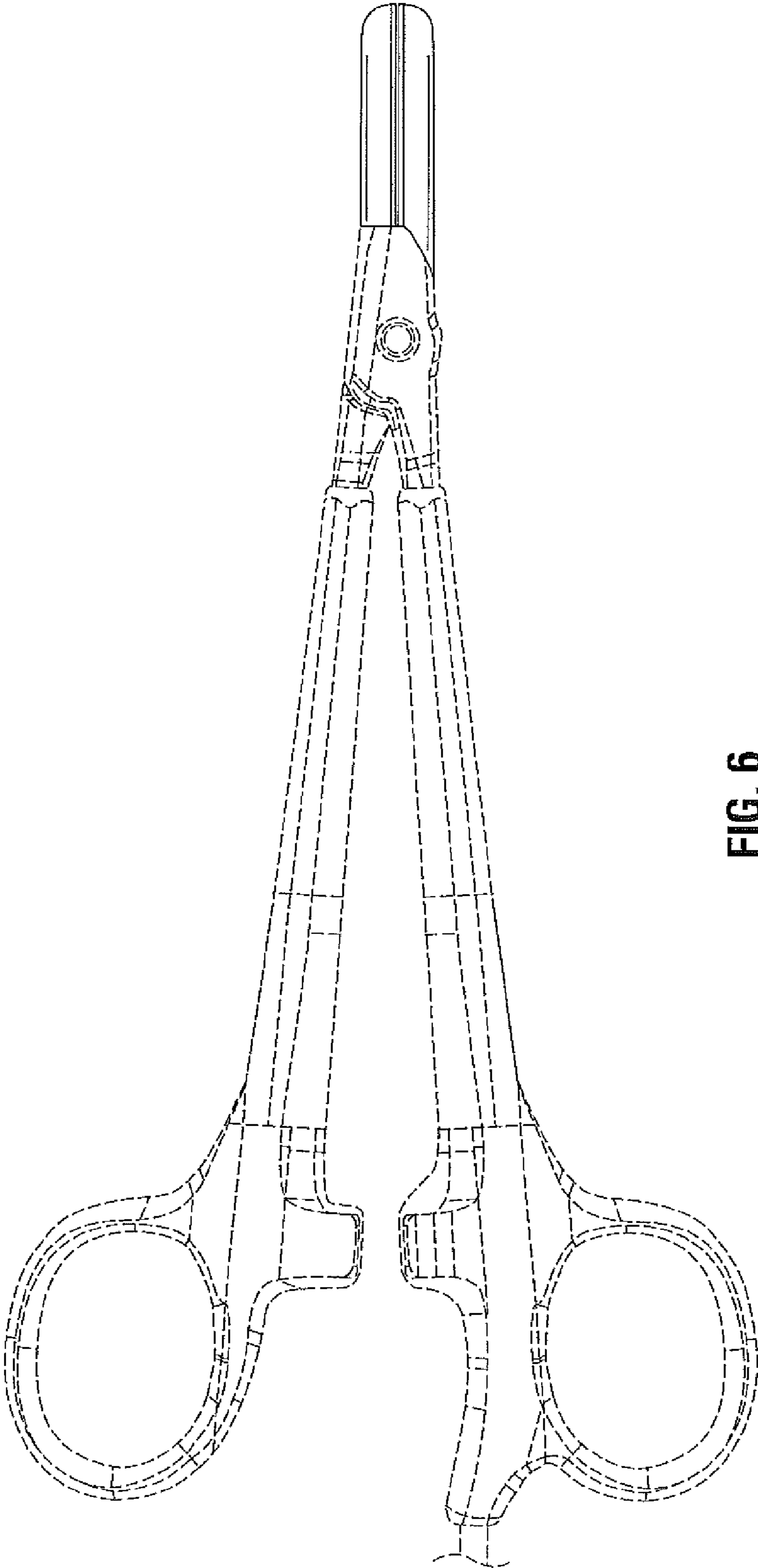


FIG. 6

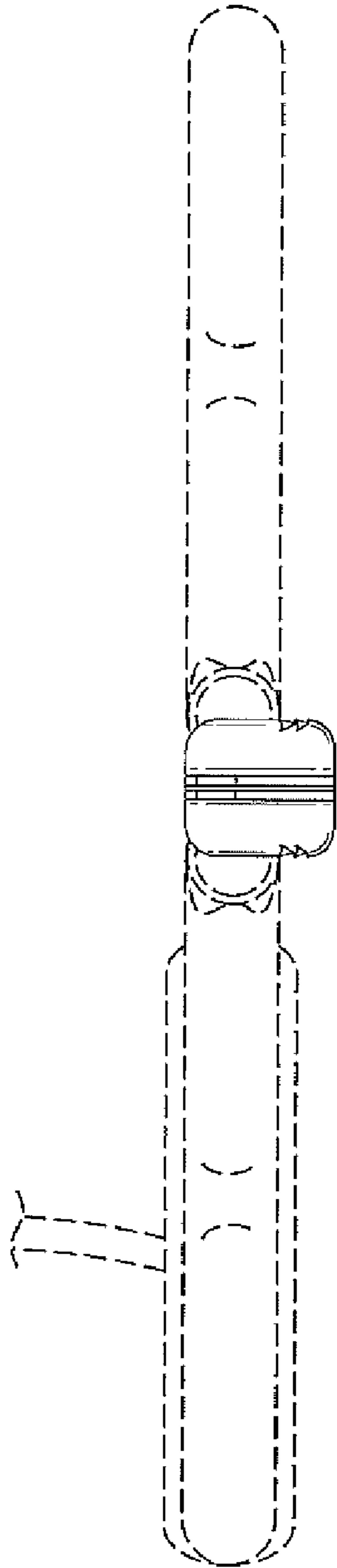


FIG. 7