



(12) **United States Design Patent**
Munasar

(10) **Patent No.:** **US D630,323 S**
(45) **Date of Patent:** **** Jan. 4, 2011**

(54) **FACE MOLE REMOVER**

(76) Inventor: **Ahmad Munasar**, 10500 Dix Ave.,
Dearborn, MI (US) 48120

(**) Term: **14 Years**

(21) Appl. No.: **29/355,295**

(22) Filed: **Feb. 4, 2010**

(51) **LOC (9) Cl.** **24-02**

(52) **U.S. Cl.** **D24/133**

(58) **Field of Classification Search** D24/133,
D24/140, 143, 146, 147, 189, 200, 209, 250;
D16/244; D28/59; 606/131

See application file for complete search history.

(56) **References Cited**

U.S. PATENT DOCUMENTS

D179,828	S	*	3/1957	Welt	D16/244
D191,380	S	*	9/1961	Kraus	D16/244
3,807,405	A		4/1974	Niebel		
3,934,590	A	*	1/1976	Campagna et al.	604/302
D250,771	S	*	1/1979	Charewicz	D24/128
D253,003	S		9/1979	Tanaka		
D260,432	S	*	8/1981	Kadar	D24/113
D260,927	S	*	9/1981	Glenn	D24/140
D274,463	S	*	6/1984	Clark	D24/183

D326,105	S	*	5/1992	Doi	D16/244
5,209,755	A		5/1993	Abraham et al.		
D415,061	S	*	10/1999	Lamacchia et al.	D11/86
7,056,324	B2		6/2006	Stough		
D567,375	S	*	4/2008	Amann	D24/151
D607,037	S	*	12/2009	Lee	D16/244
2005/0075651	A1		4/2005	Ortiz		
2007/0111954	A1		5/2007	Crutchfield, III et al.		
2009/0198107	A1*		8/2009	Park et al.	600/215

* cited by examiner

Primary Examiner—Bridget L Eland

(57) **CLAIM**

The ornamental design for a face mole remover, as shown and described.

DESCRIPTION

FIG. 1 is a perspective view of a face mole remover showing my new design;

FIG. 2 is a front view thereof;

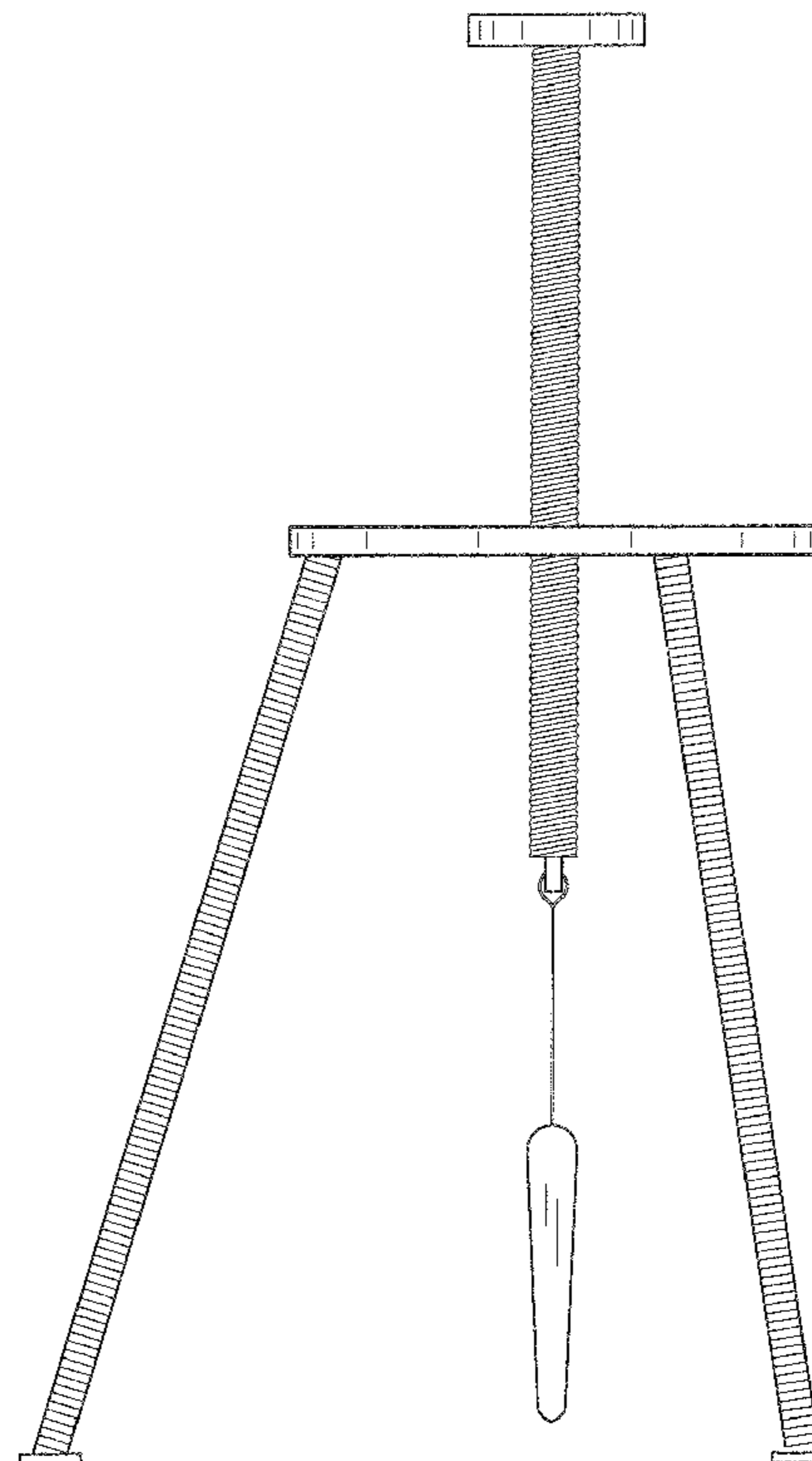
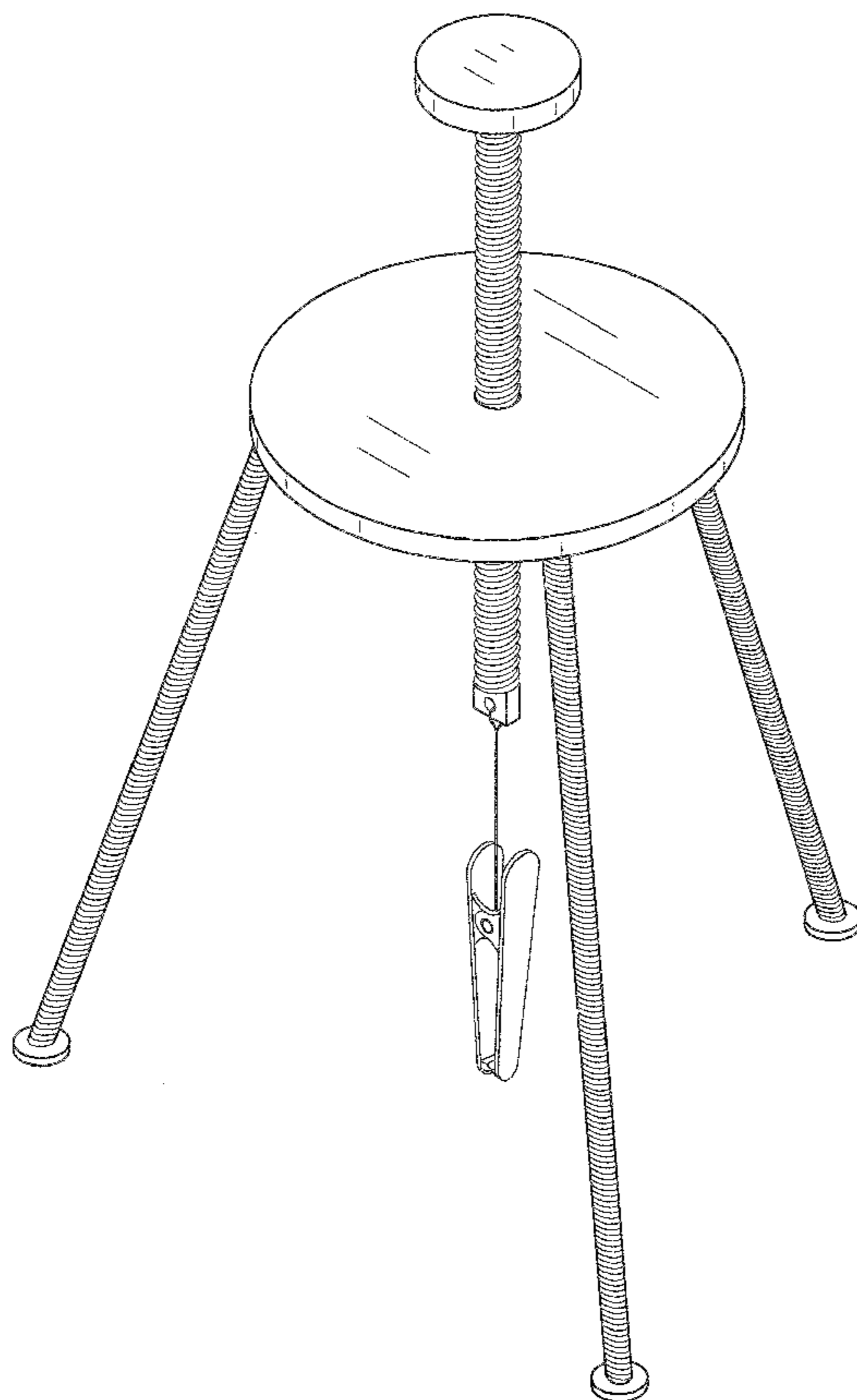
FIG. 3 is a back view thereof;

FIG. 4 is a side view thereof (opposite side is mirror image);

FIG. 5 is a top view thereof; and,

FIG. 6 is a bottom view thereof.

1 Claim, 6 Drawing Sheets



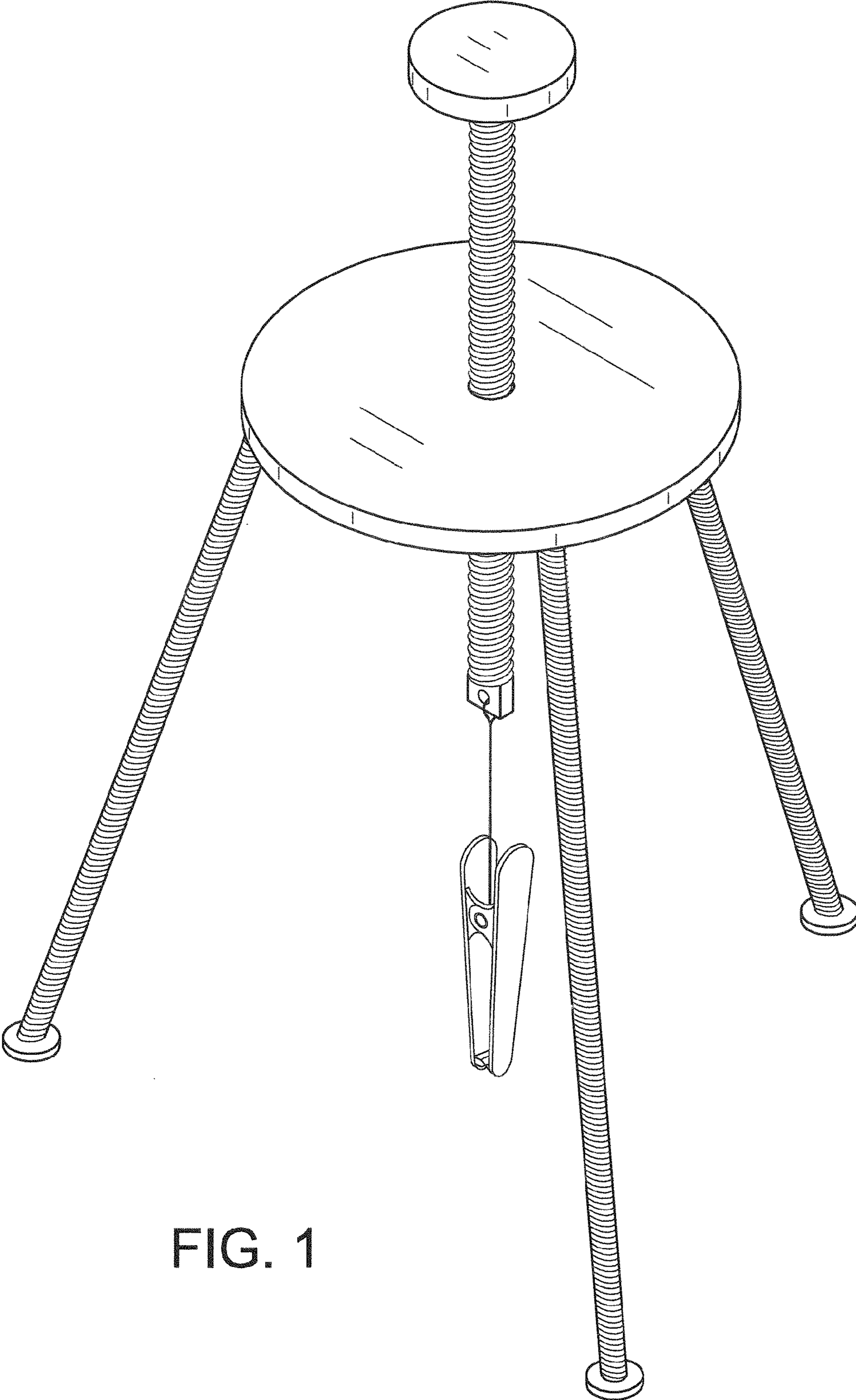


FIG. 1

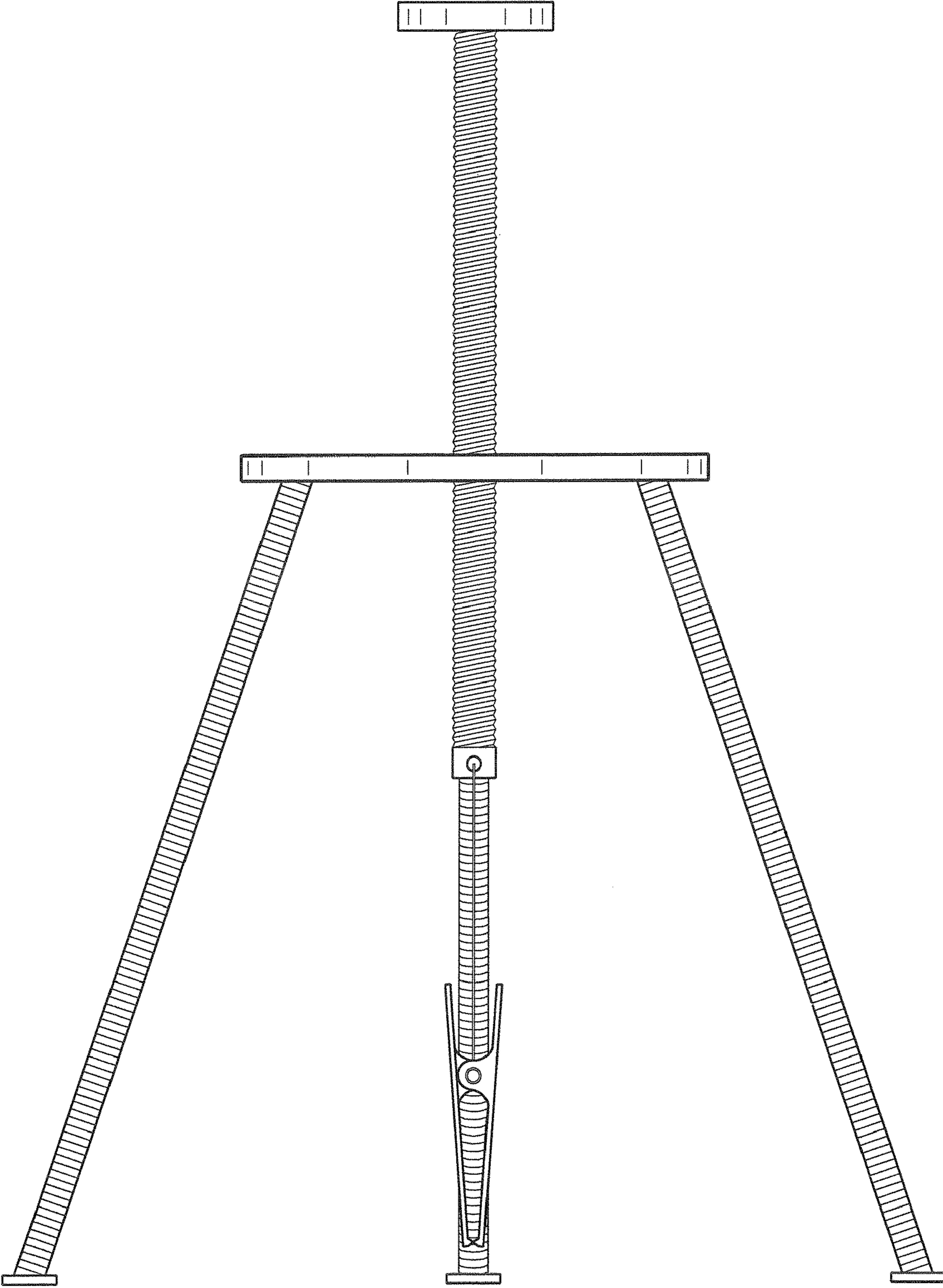


FIG. 2

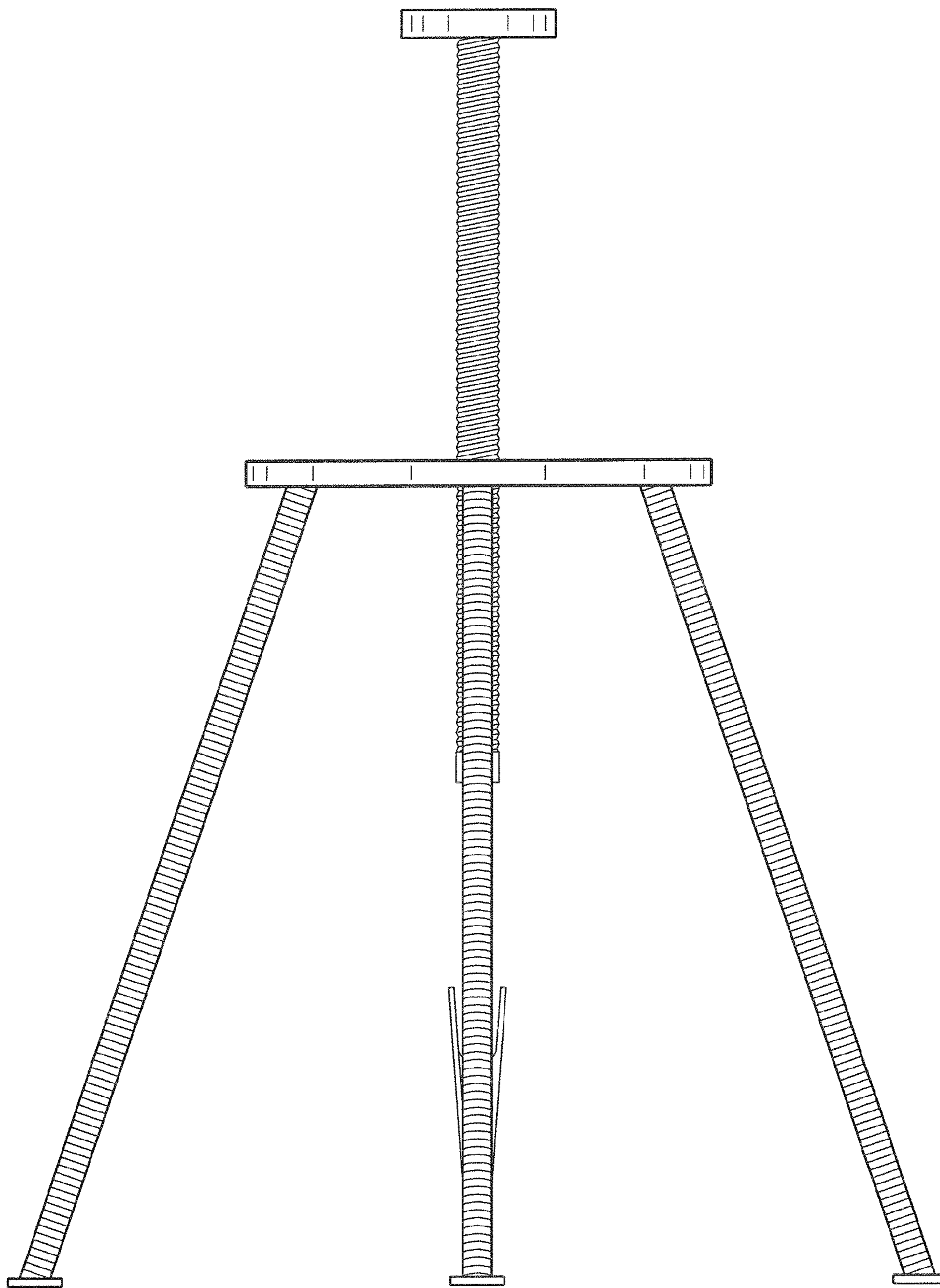


FIG. 3

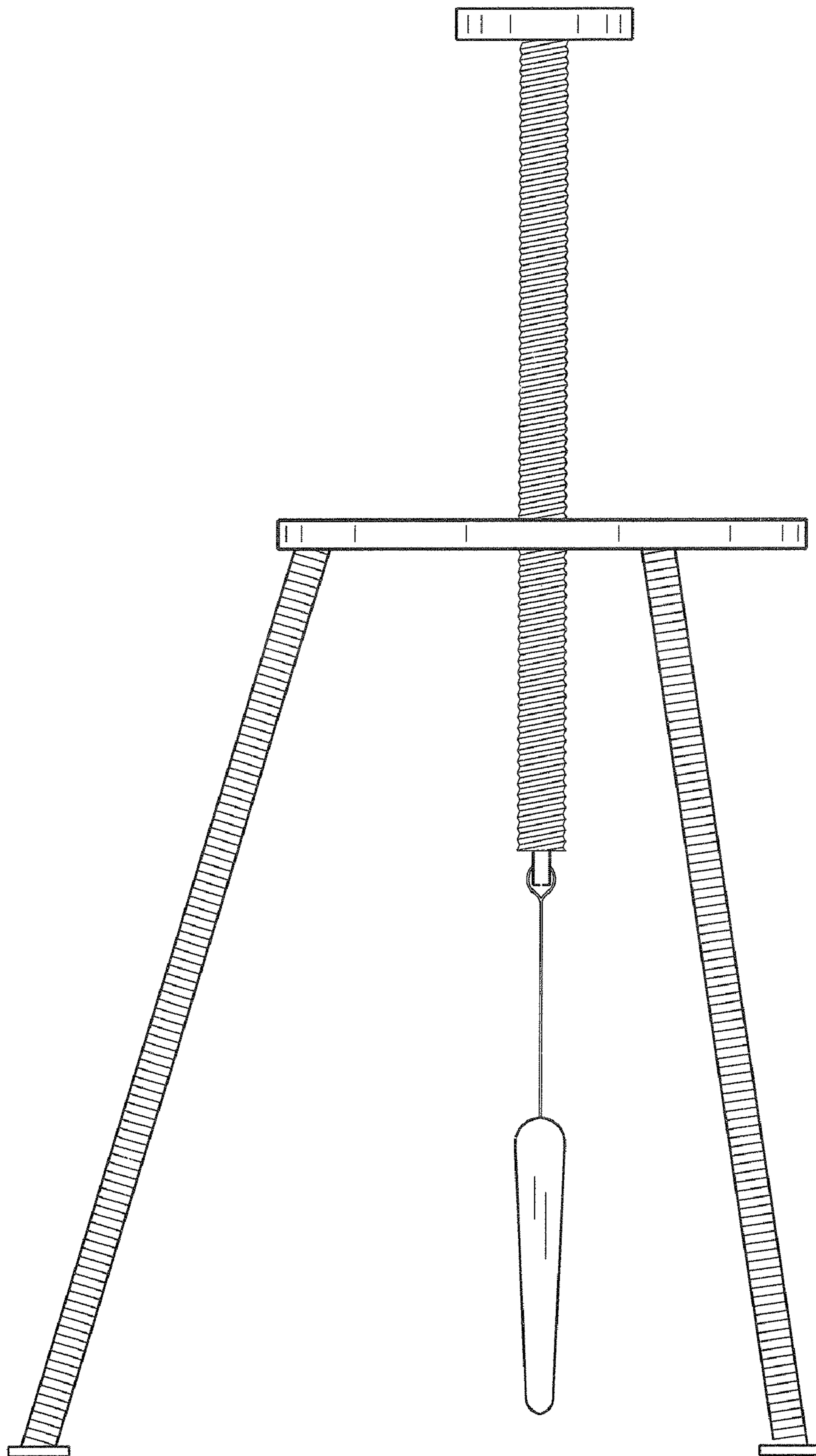


FIG. 4

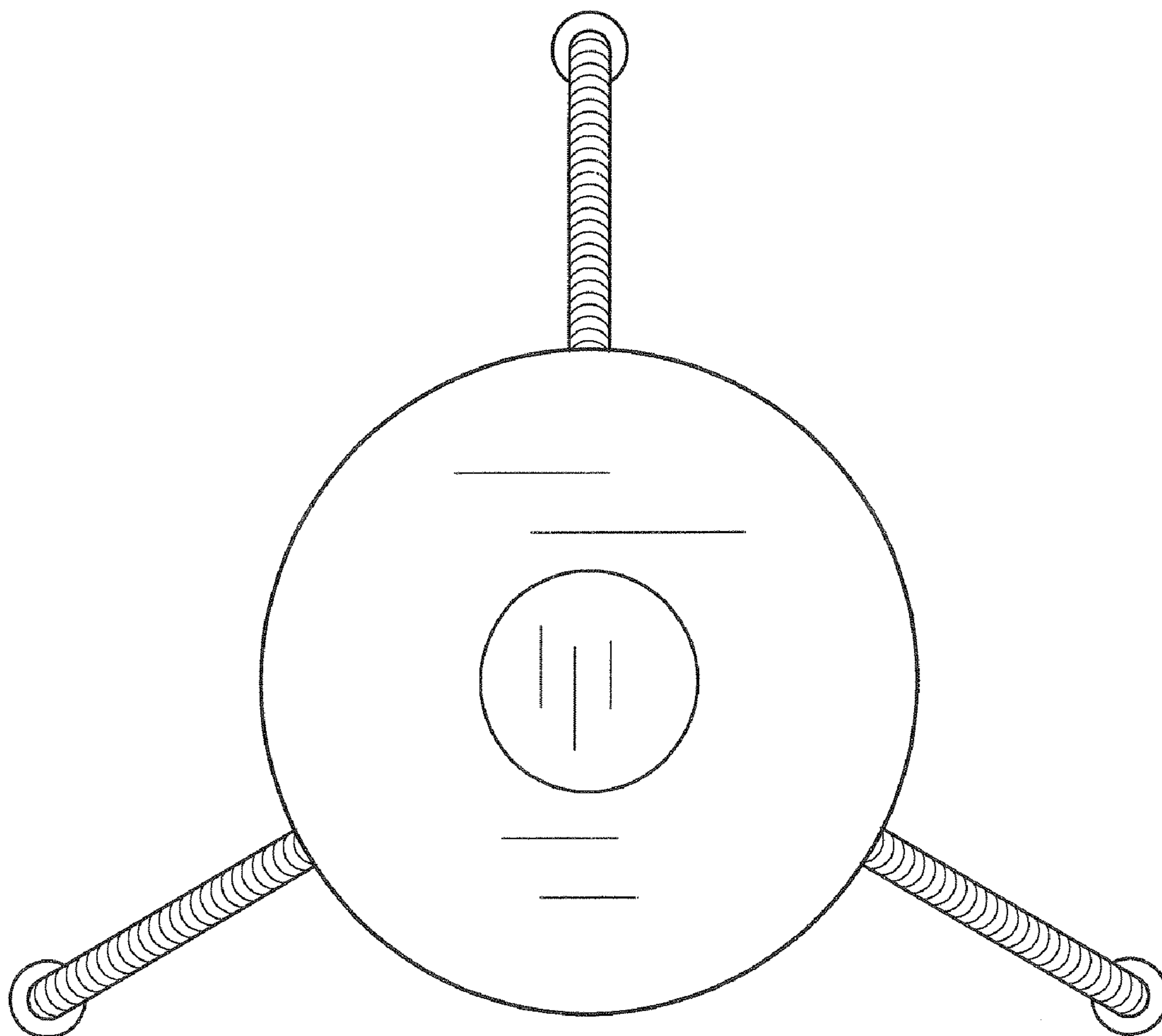


FIG. 5

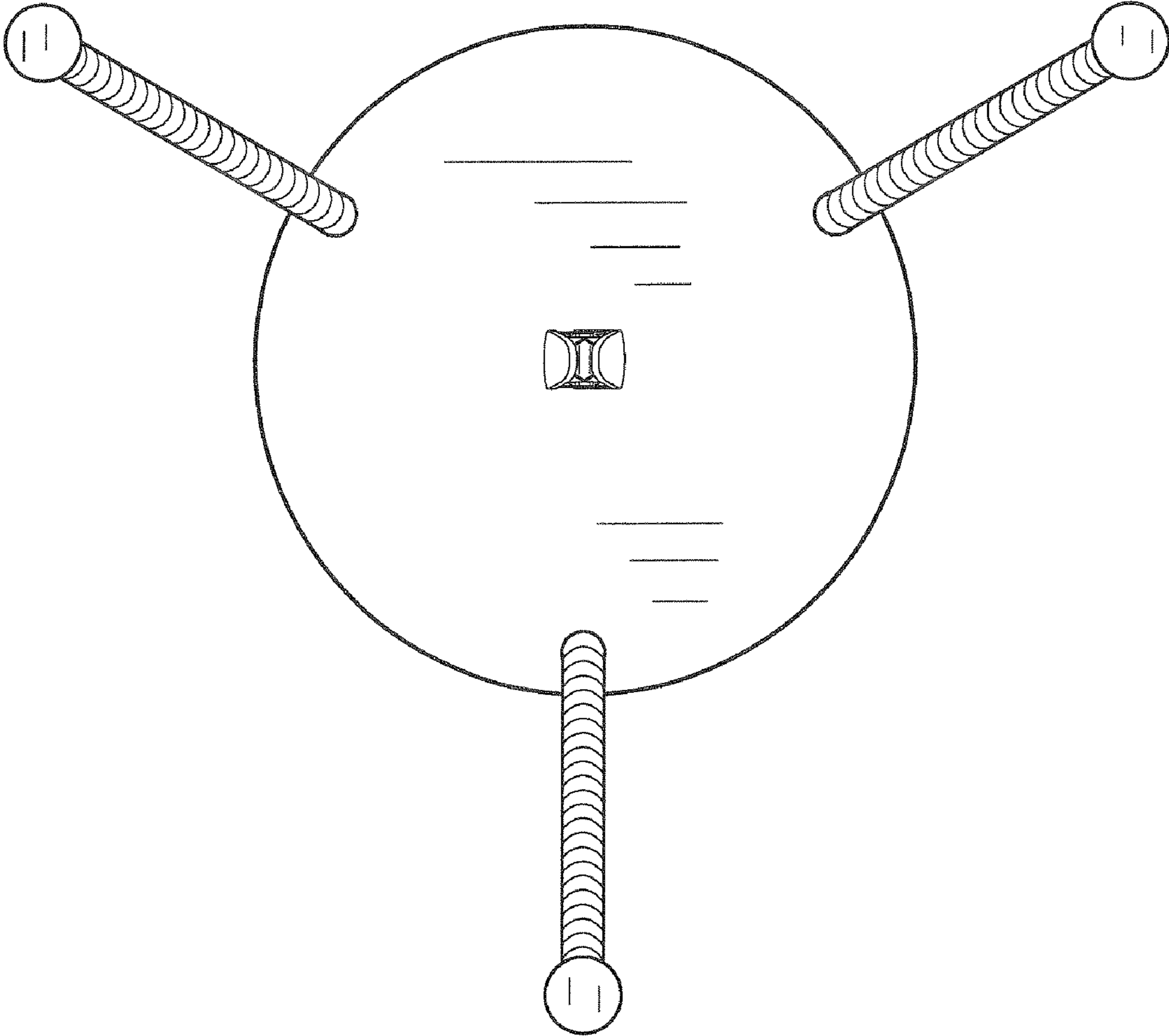


FIG. 6