



US00D630318S

(12) **United States Design Patent**
Goodwin

(10) **Patent No.:** **US D630,318 S**

(45) **Date of Patent:** **** Jan. 4, 2011**

(54) **MEDICAL DEVICE CONNECTOR**

5,922,994 A * 7/1999 Robinson et al. 174/87
D587,202 S * 2/2009 Dobler D13/133

(75) Inventor: **Cheryl J. Goodwin**, Carrollton, TX (US)

(73) Assignee: **CytoPherx, Inc.**, Ann Arbor, MI (US)

(**) Term: **14 Years**

(21) Appl. No.: **29/336,090**

(22) Filed: **Apr. 28, 2009**

(51) **LOC (9) Cl.** **24-02**

(52) **U.S. Cl.** **D24/129**

(58) **Field of Classification Search** D13/150;
D24/107, 108, 111, 112, 113, 127, 129, 130,
D24/169; 95/261; 137/625.11, 625.41; 222/309;
285/3, 308; 604/4.01, 5.02, 5.04, 6.01, 6.02,
604/6.03, 6.04, 6.05, 6.06, 6.07, 27, 80, 83,
604/93.01, 95.02, 246, 247, 248, 249, 264,
604/502, 523

See application file for complete search history.

(56) **References Cited**

U.S. PATENT DOCUMENTS

- 2,962,688 A * 11/1960 Werner 439/320
- D239,020 S * 3/1976 Manschot D24/129
- 4,326,519 A * 4/1982 D'Alo et al. 604/165.04
- D277,583 S * 2/1985 Kono D16/130
- 4,867,809 A * 9/1989 Haverstick 148/101
- D327,318 S * 6/1992 Dudar et al. D24/112
- 5,286,067 A * 2/1994 Choksi 285/38
- 5,792,094 A * 8/1998 Stevens et al. 604/4.01

OTHER PUBLICATIONS

Connector provided by Fresenius Medical Care AG & Co., or an affiliated company, to Nephros Therapeutics, Inc. (a Michigan corporation), a predecessor of RenaMed Biologics, Inc., in the fall/winter of 1996. (2 pages of photographs).

* cited by examiner

Primary Examiner—Elizabeth A Albert

Assistant Examiner—Karen E Eldridge Powers

(74) *Attorney, Agent, or Firm*—Goodwin Procter LLP

(57) **CLAIM**

The ornamental design for a medical device connector, as shown and described.

DESCRIPTION

FIG. 1 is a top plan view of the medical device connector;

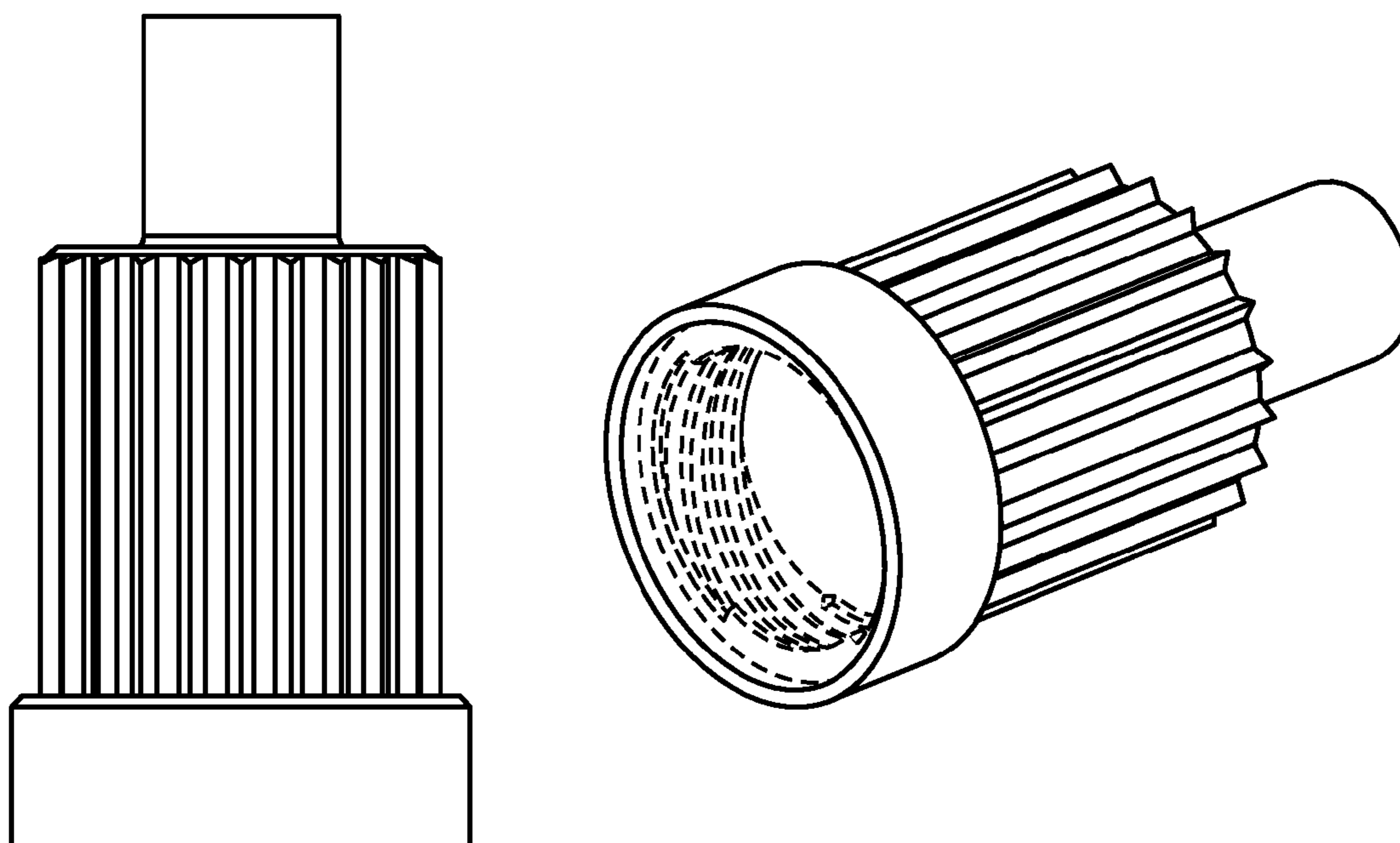
FIG. 2 is a front elevation view of the medical device connector, the rear, left side and right side elevation views being the same;

FIG. 3 is a bottom plan view of the medical device connector; and,

FIG. 4 is a perspective view of the medical device connector.

The features of the article shown in broken lines illustrate the environment in which the claimed design is applied and form no part thereof.

1 Claim, 1 Drawing Sheet



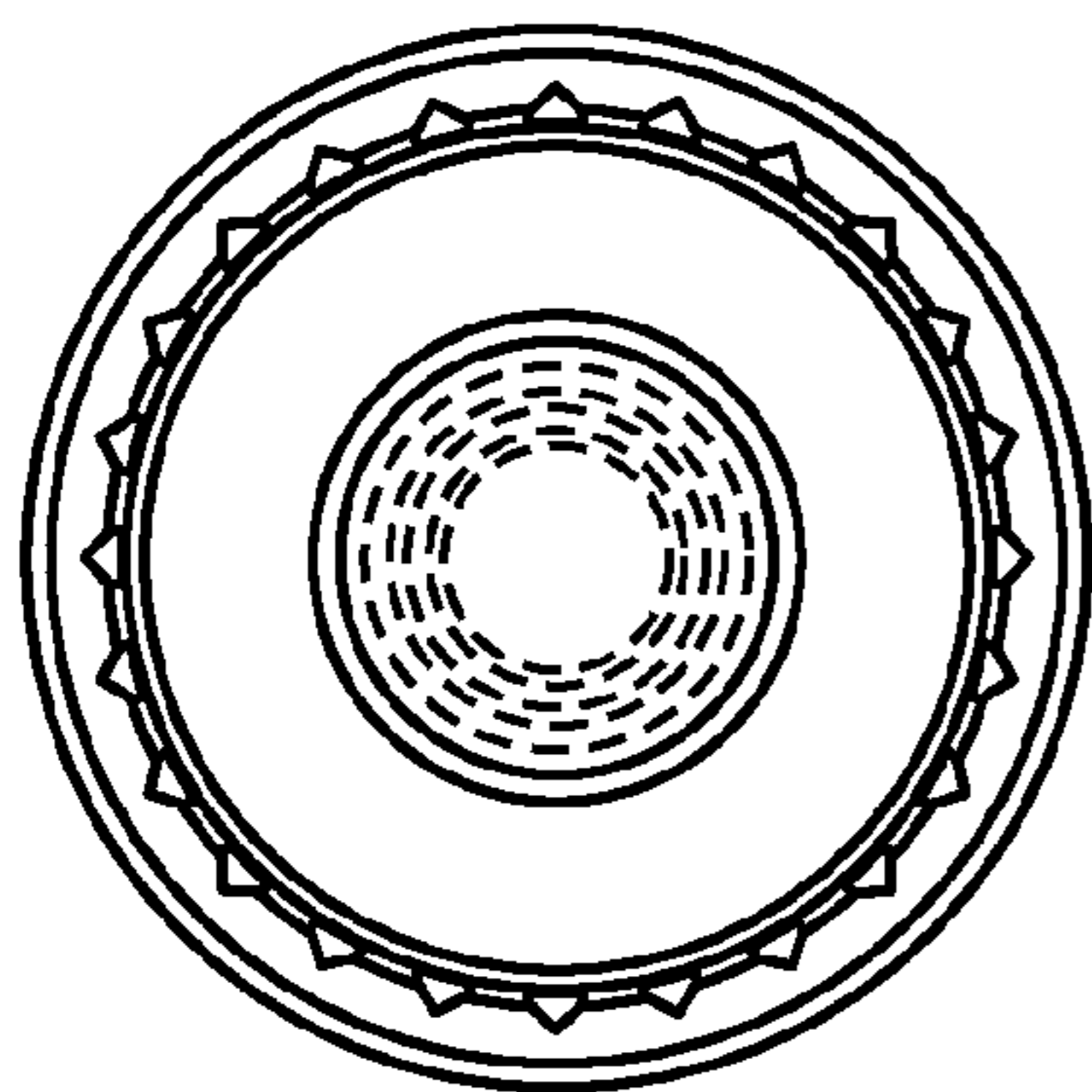


FIG. 1

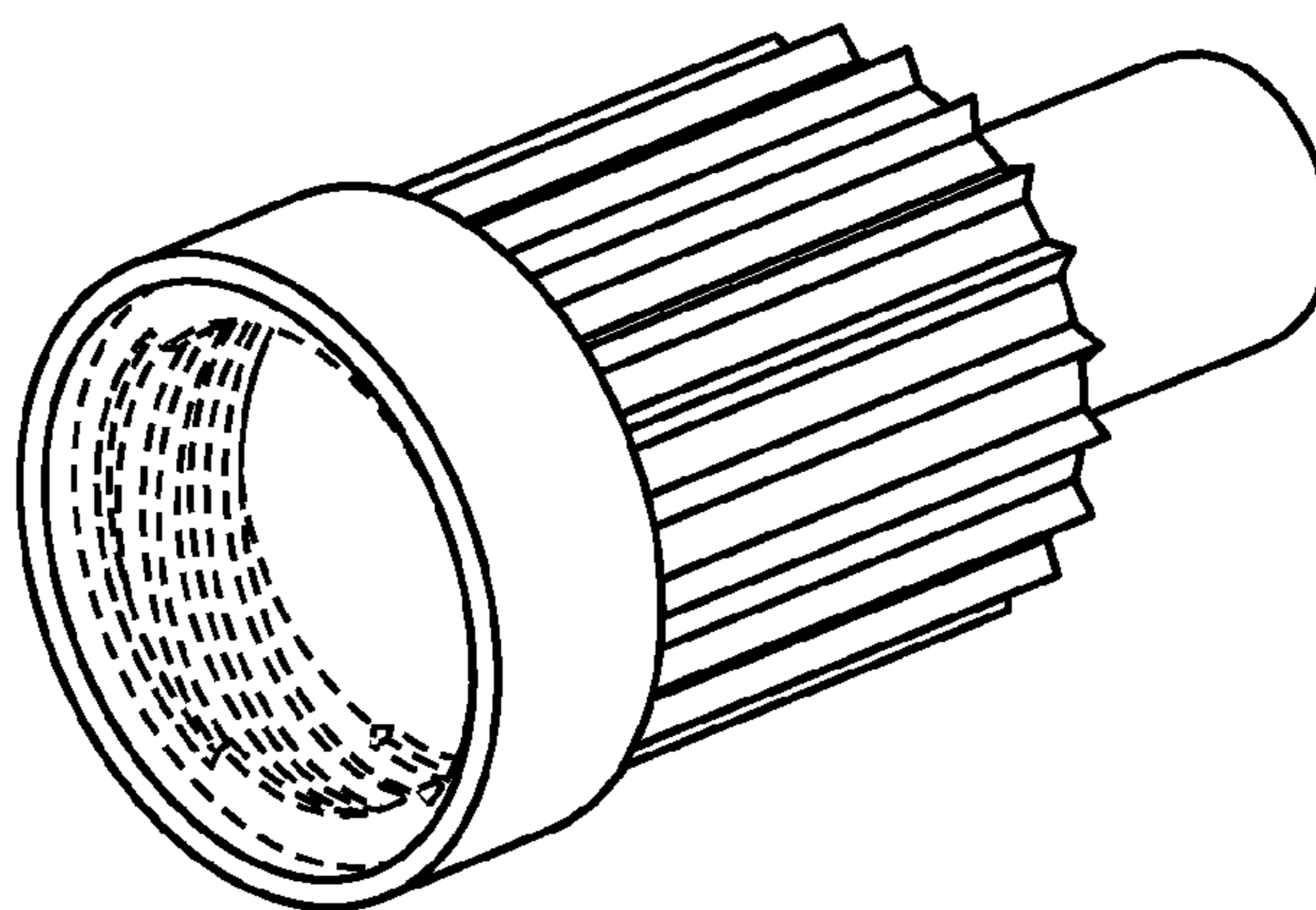


FIG. 4

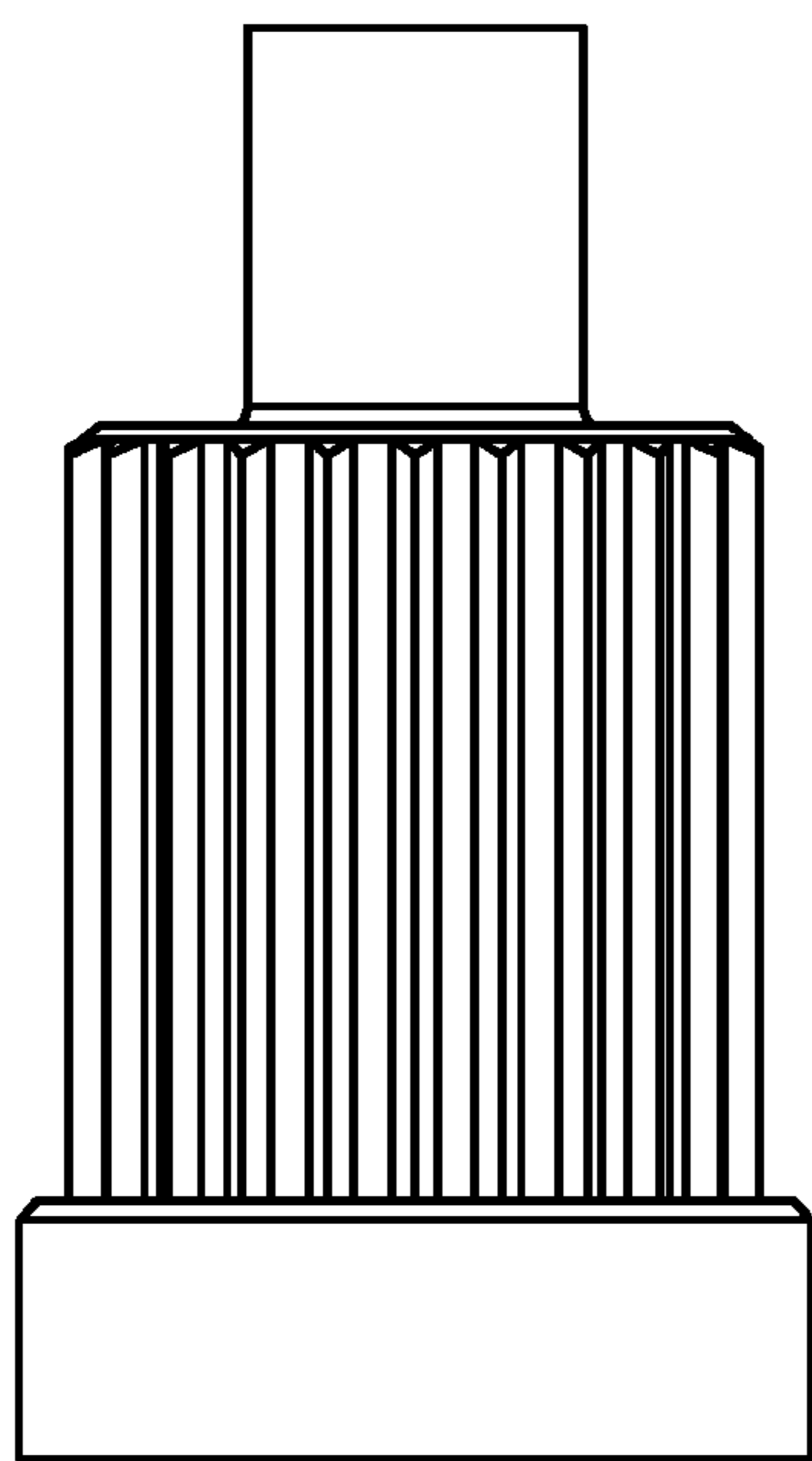


FIG. 2

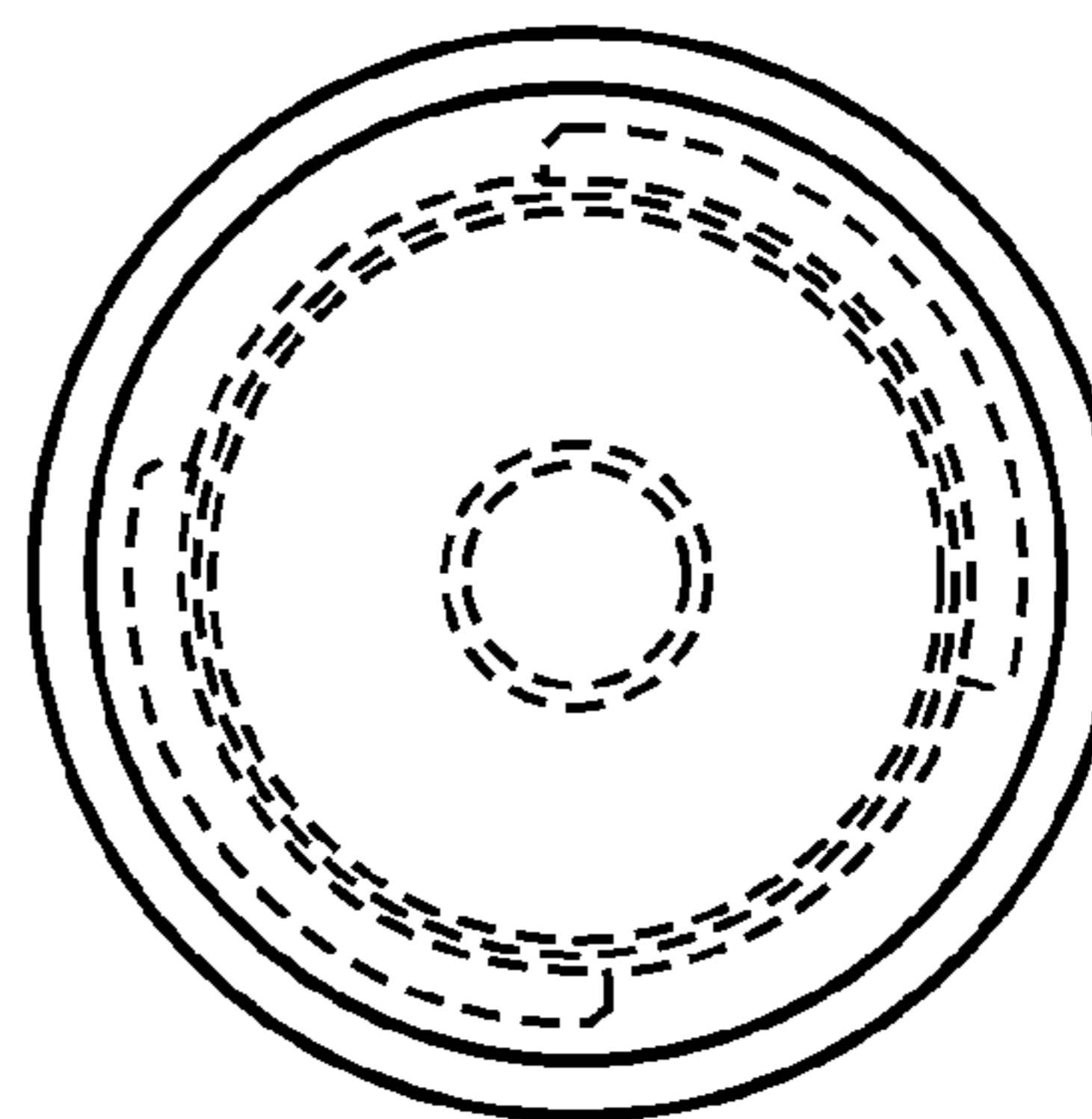


FIG. 3