



US00D630317S

(12) **United States Design Patent**
Wung

(10) **Patent No.:** **US D630,317 S**
(45) **Date of Patent:** **** Jan. 4, 2011**

(54) **ECG LEADS ORGANIZER**

(75) Inventor: **Peter Wung**, Redmond, WA (US)

(73) Assignee: **Physio-Control, Inc.**, Redmond, WA (US)

(**) Term: **14 Years**

(21) Appl. No.: **29/362,166**

(22) Filed: **May 20, 2010**

(51) **LOC (9) Cl.** **24-02**

(52) **U.S. Cl.** **D24/128**

(58) **Field of Classification Search** D24/127-128;
D6/567; D8/356; 604/177-180, 174; 128/DIG. 26;
248/68.1, 205.2, 74.4, 316.4, 316.2

See application file for complete search history.

(56) **References Cited**

U.S. PATENT DOCUMENTS

4,971,271 A * 11/1990 Sularz 248/68.1

(Continued)

Primary Examiner—T. Chase Nelson

Assistant Examiner—Eric L Goodman

(74) *Attorney, Agent, or Firm*—Marger Johnson & McCollom PC

(57) **CLAIM**

The ornamental design for the ECG leads organizer, as shown and described.

DESCRIPTION

FIG. 1 is a disassembled perspective view of a four-lead first embodiment of my ECG leads organizer showing top and side surfaces.

FIG. 2 is a perspective view of the four-lead embodiment of the ECG leads organizer shown in FIG. 1 in an assembled and closed position, holding three leads, in which top and side surfaces are shown.

FIG. 3 is a side view of the four-lead embodiment of the ECG leads organizer shown in FIG. 1 in a closed position.

FIG. 4 is a first end view of the four-lead embodiment of the ECG leads organizer shown in FIG. 1 in a closed position.

FIG. 5 is a second end view of the four-lead embodiment of the ECG leads organizer shown in FIG. 1 in a closed position.

FIG. 6 is a top view of the four-lead embodiment of the ECG leads organizer shown in FIG. 1 in a closed position.

FIG. 7 is a disassembled perspective view of a six-lead second embodiment of my ECG leads organizer showing top and side surfaces.

FIG. 8 is a perspective view of the six-lead embodiment of the ECG leads organizer shown in FIG. 8 in an assembled and closed position, holding three leads, in which top and side surfaces are shown.

FIG. 9 is a side view of the six-lead embodiment of the ECG leads organizer shown in FIG. 8 in a closed position.

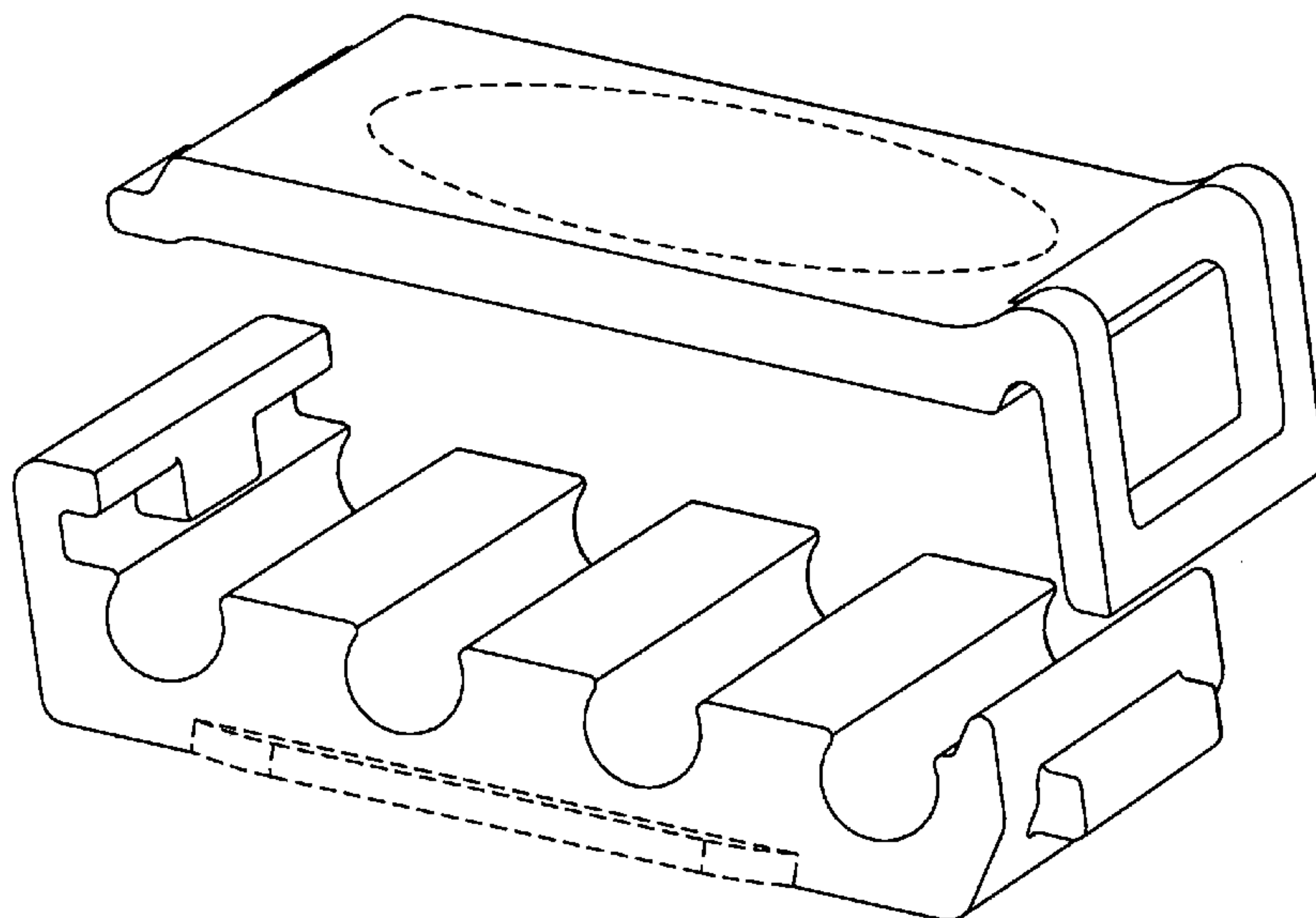
FIG. 10 is a first end view of the six-lead embodiment of the ECG leads organizer shown in FIG. 8 in a closed position.

FIG. 11 is a second end view of the six-lead embodiment of the ECG leads organizer shown in FIG. 8 in a closed position; and,

FIG. 12 is a top view of the six-lead embodiment of the ECG leads organizer shown in FIG. 8 in a closed position.

The broken line showing is included for the purpose of illustrating portions of the article and forms no part of the claimed design.

1 Claim, 6 Drawing Sheets



US D630,317 S

Page 2

U.S. PATENT DOCUMENTS									
				6,620,105	B2 *	9/2003	Sharpe	600/508	
				7,457,506	B1 *	11/2008	Osborne, II	385/136	
D378,408	S *	3/1997	Pyeatt et al.	D24/128	2003/0132352	A1 *	7/2003	Weaver	248/68.1
D379,509	S *	5/1997	Macko	D24/128	2004/0118982	A1 *	6/2004	Shillings et al.	248/68.1
5,709,665	A *	1/1998	Vergano et al.	604/174	2004/0135039	A1 *	7/2004	Reichert et al.	248/68.1
5,795,335	A *	8/1998	Zinreich	604/174					

* cited by examiner

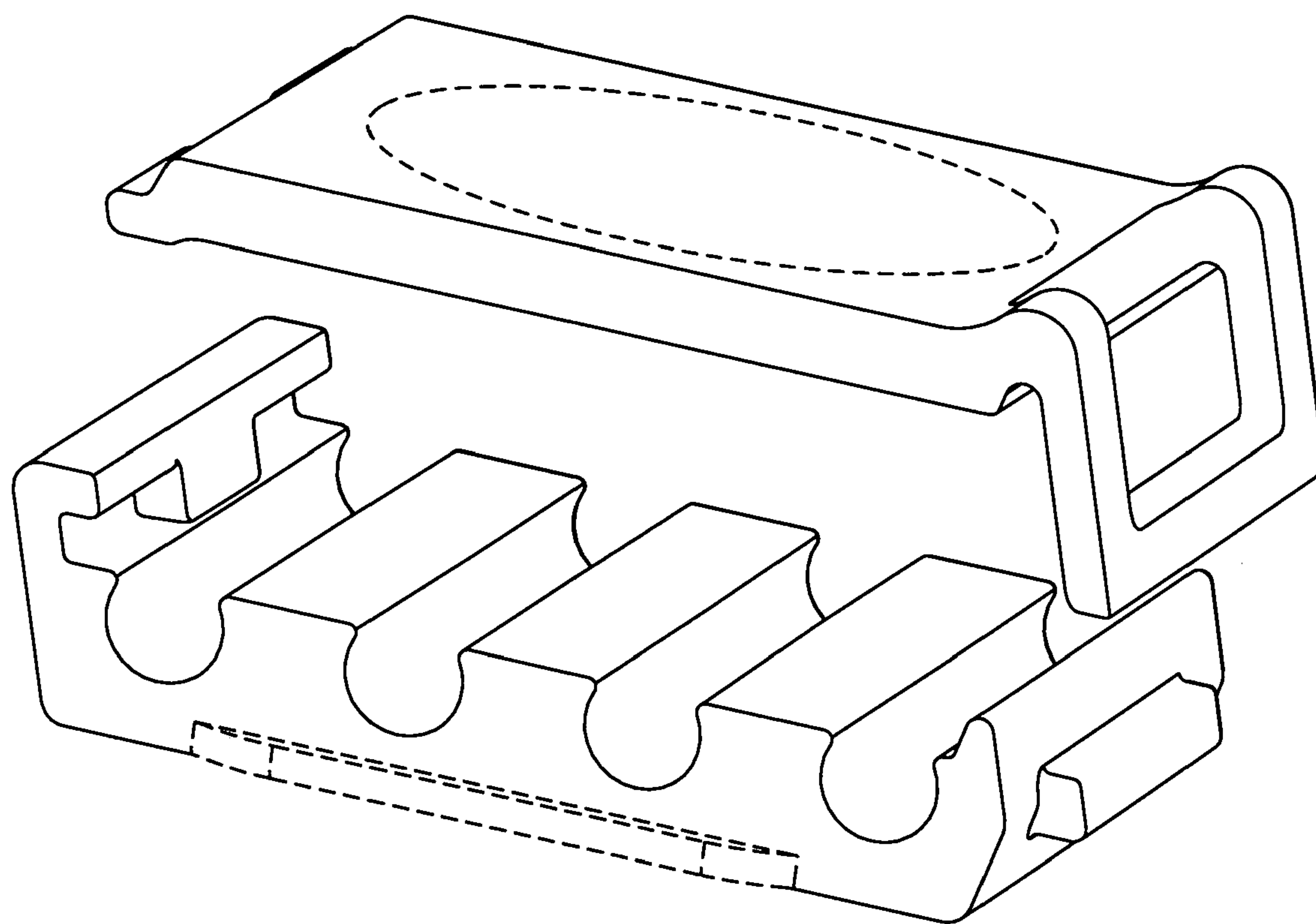


FIG. 1

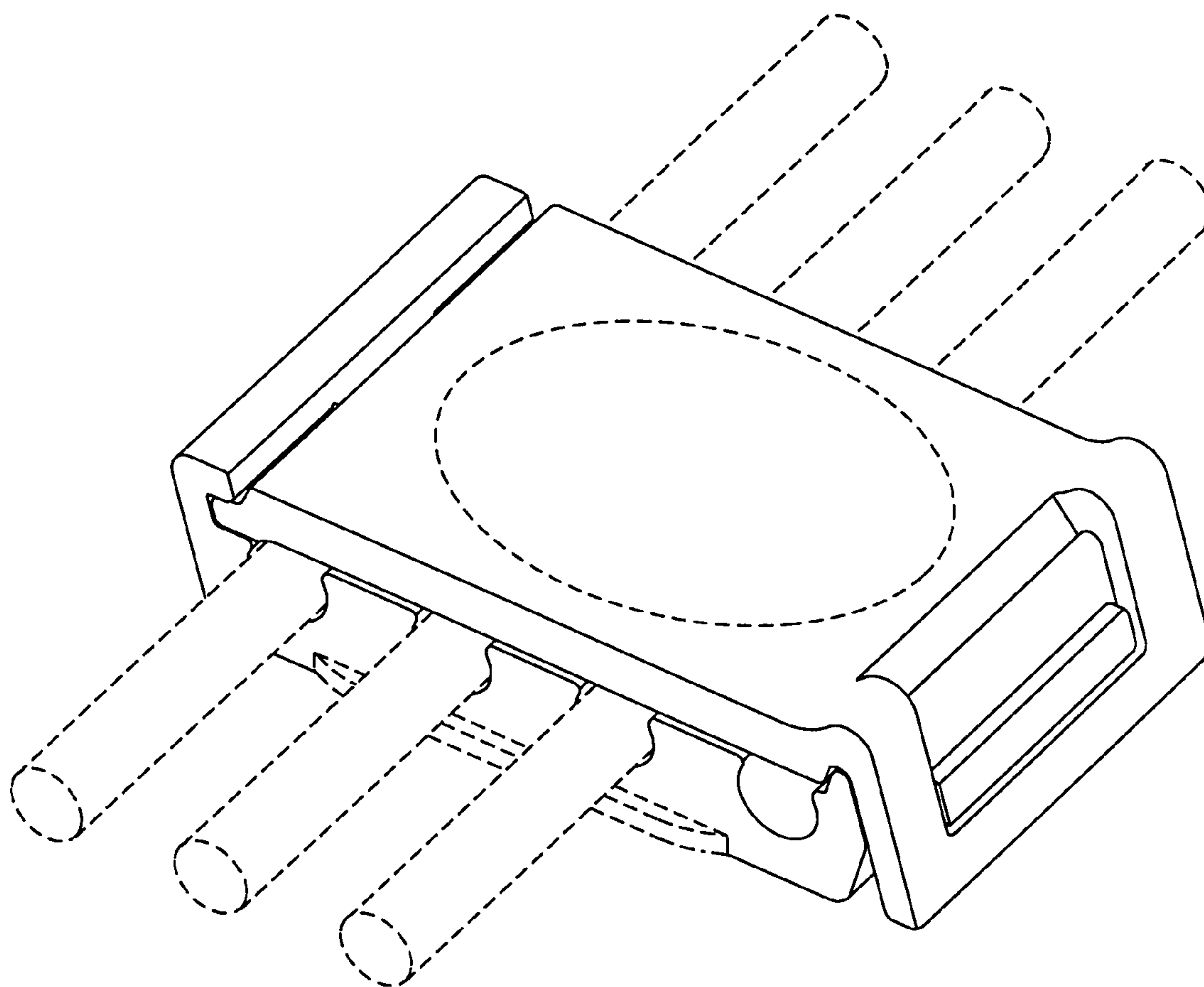


FIG. 2

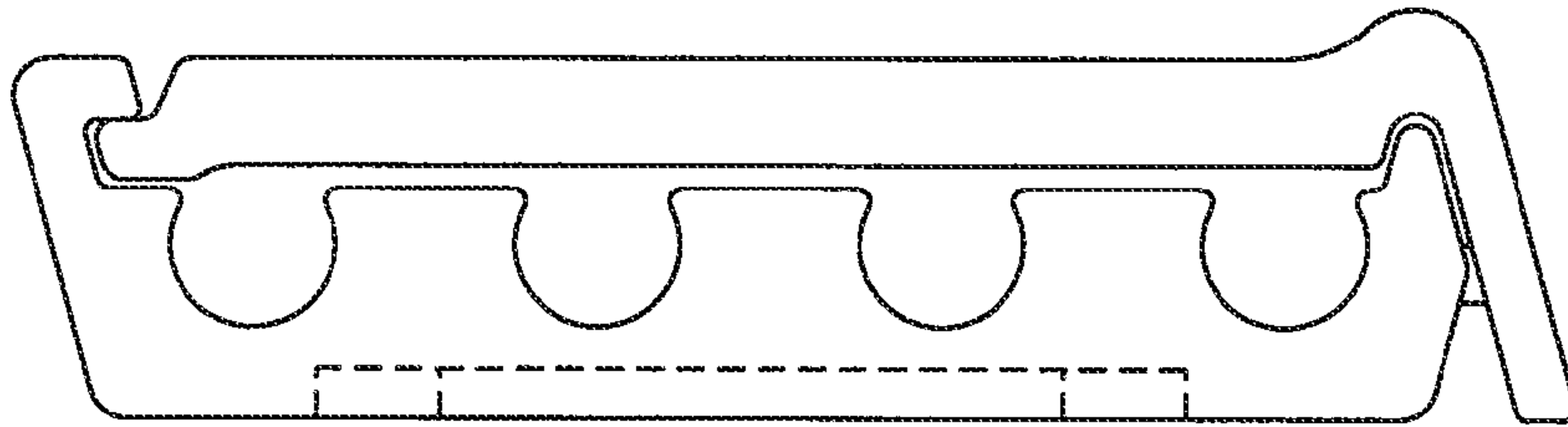


FIG. 3

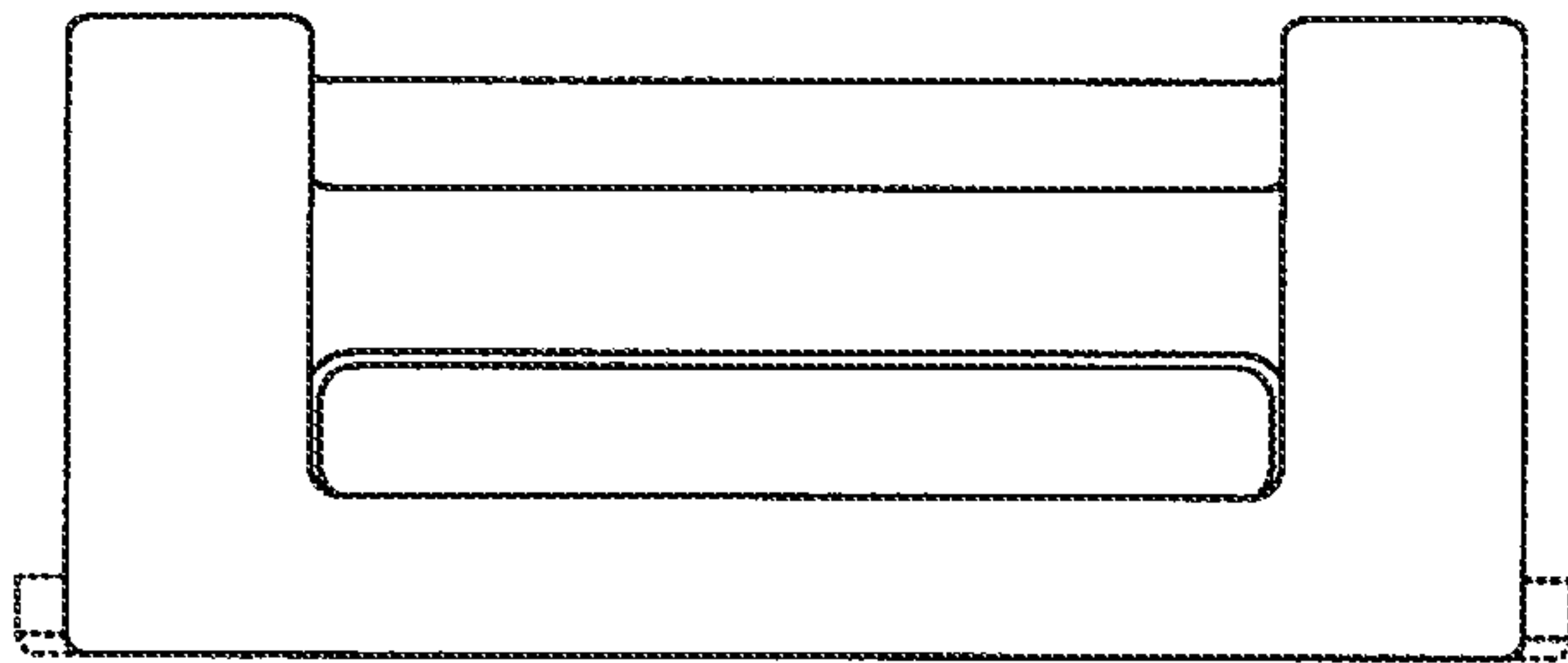


FIG. 4

FIG. 5

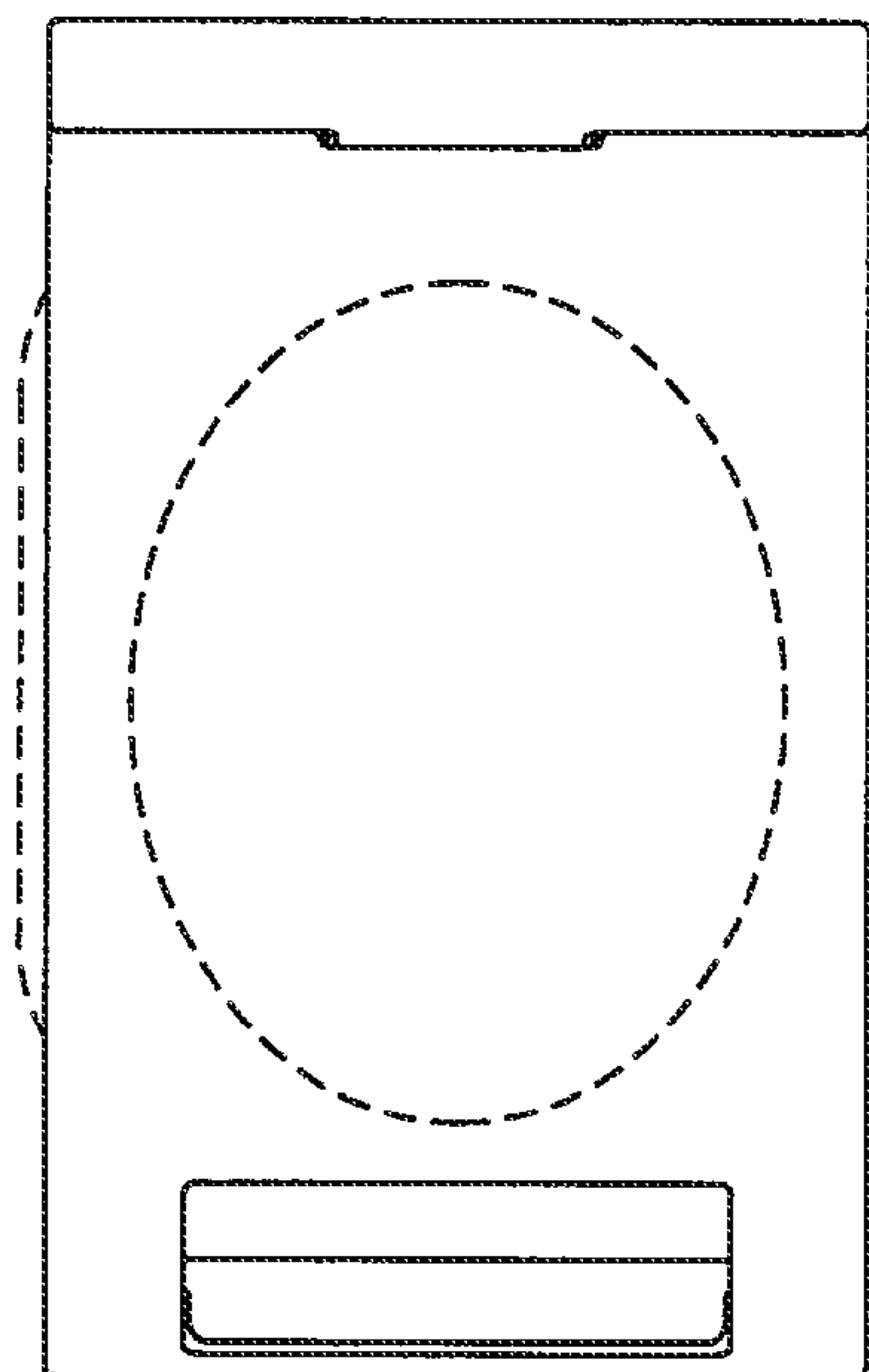
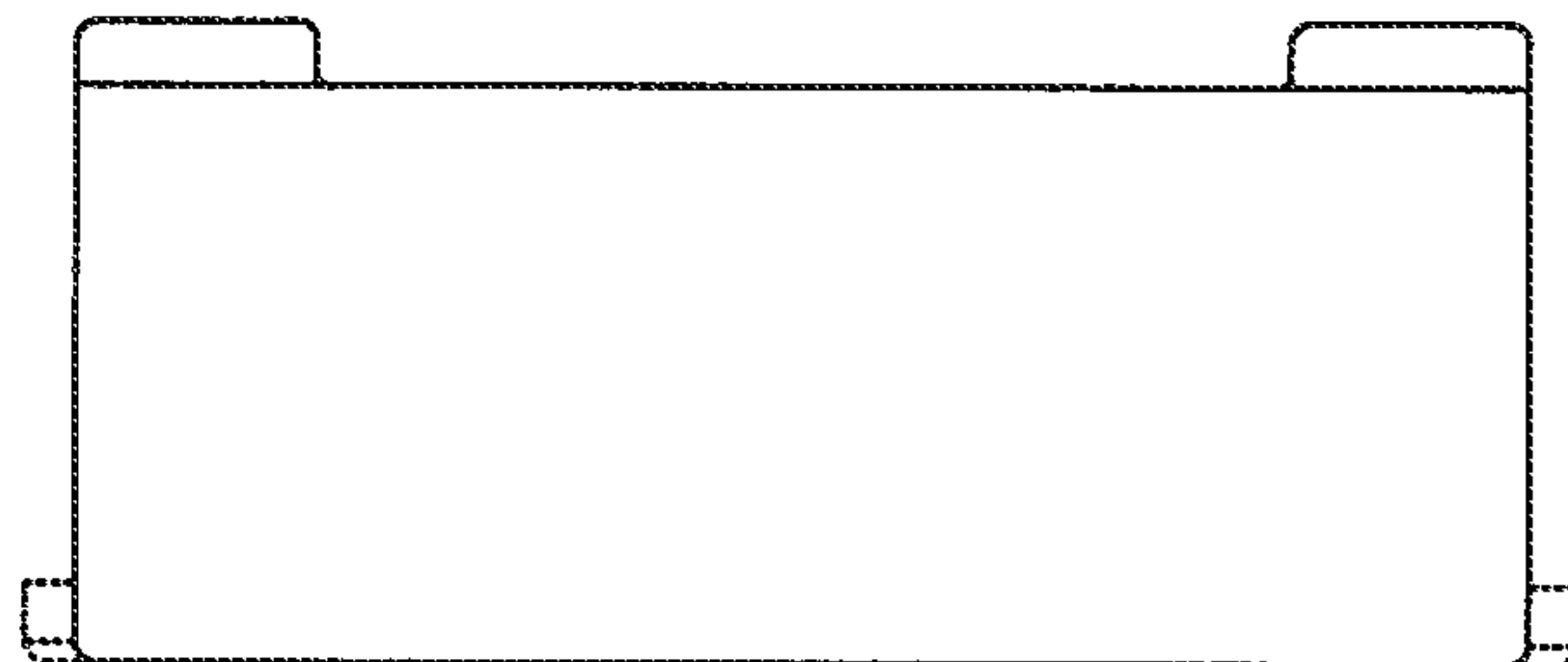


FIG. 6

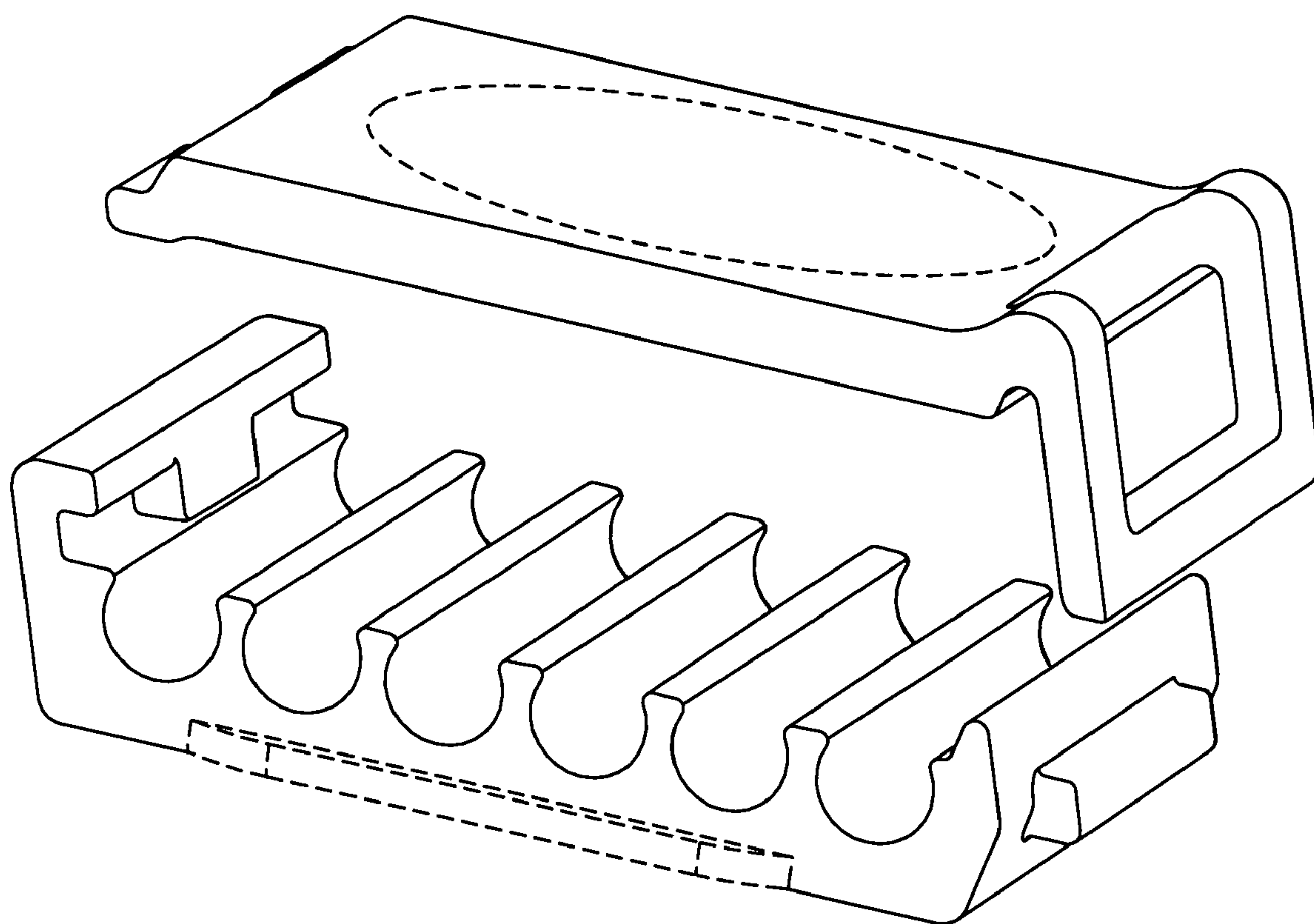


FIG. 7

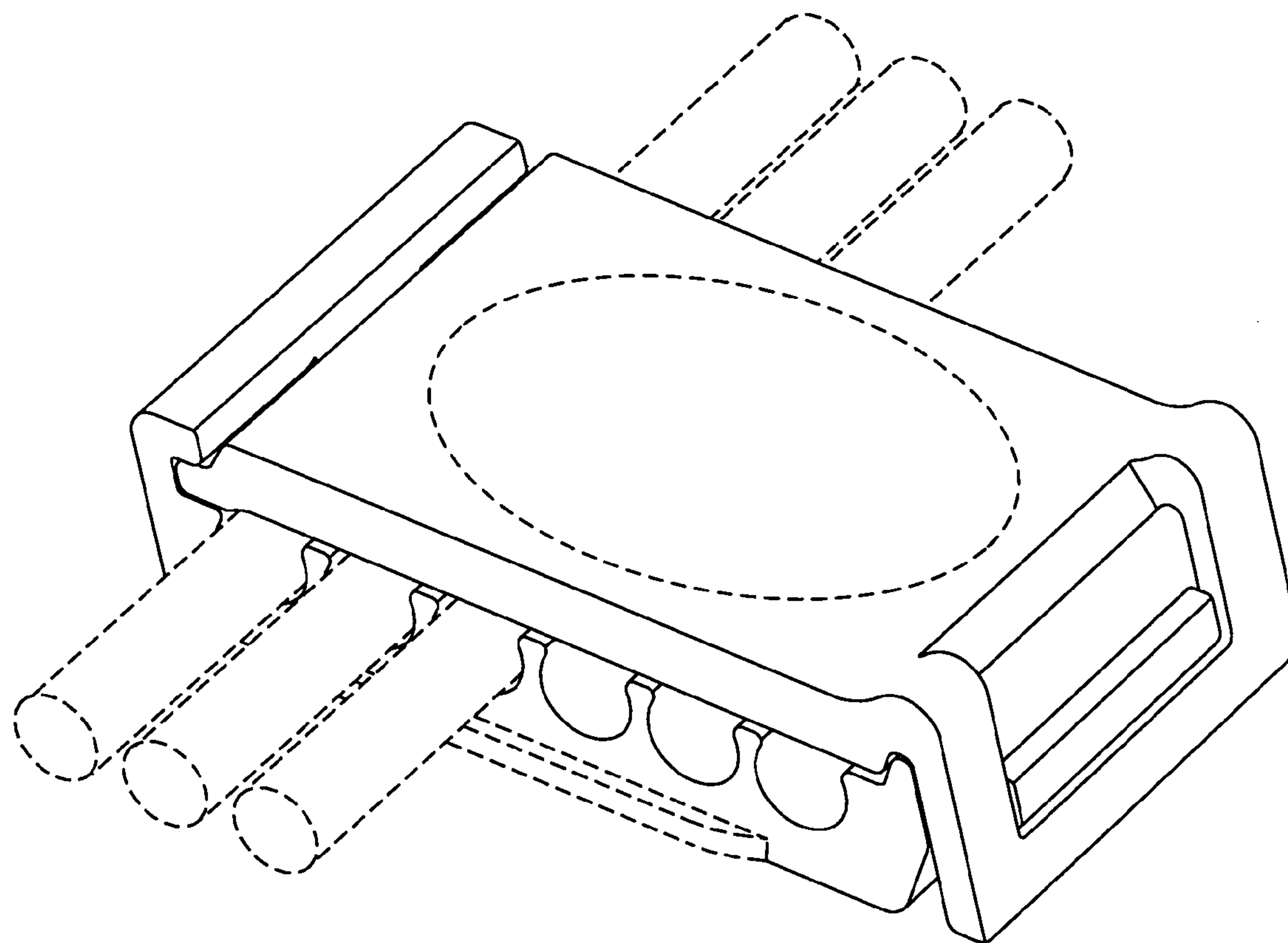


FIG. 8

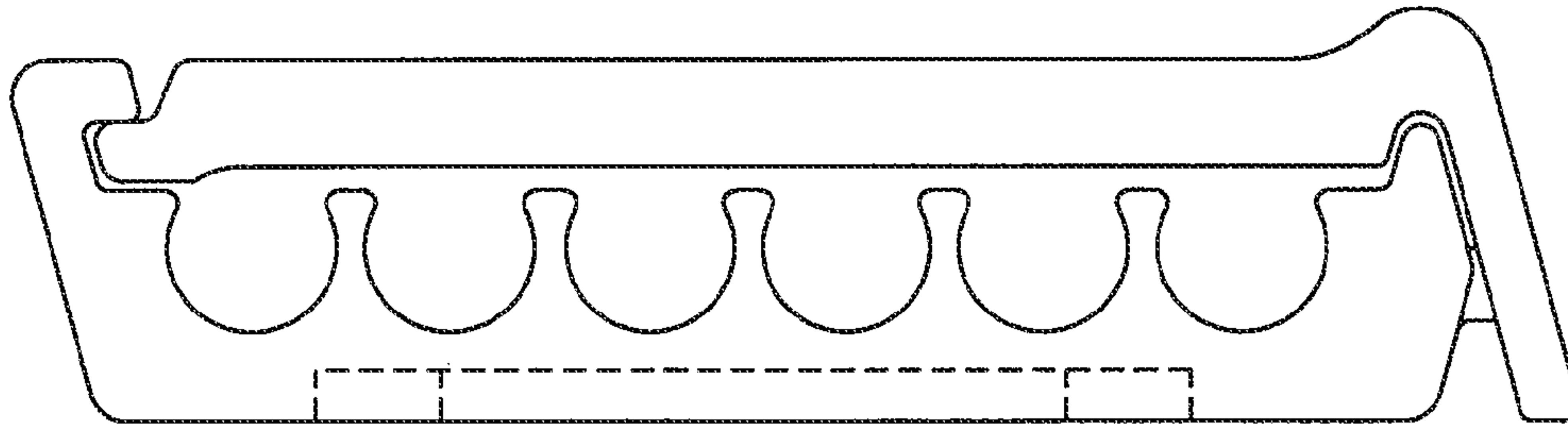


FIG. 9

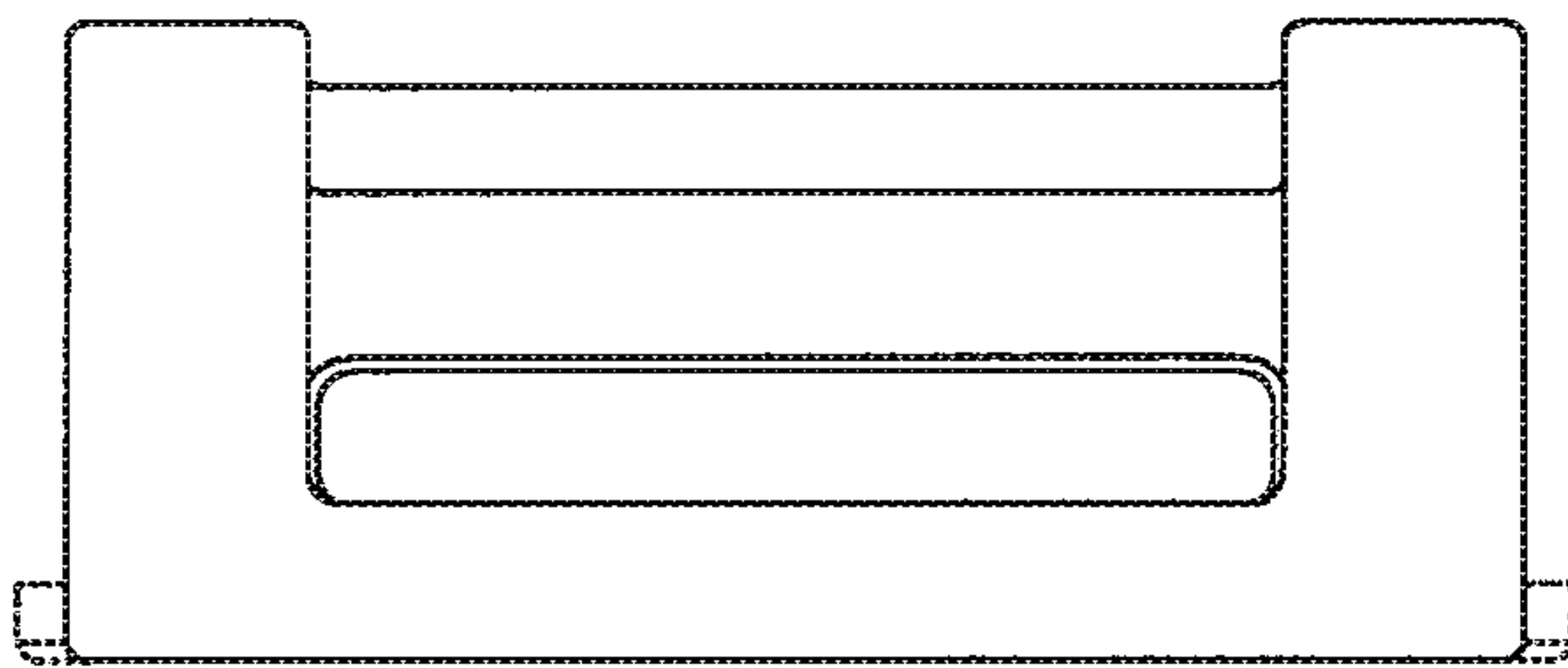


FIG. 10

FIG. 11

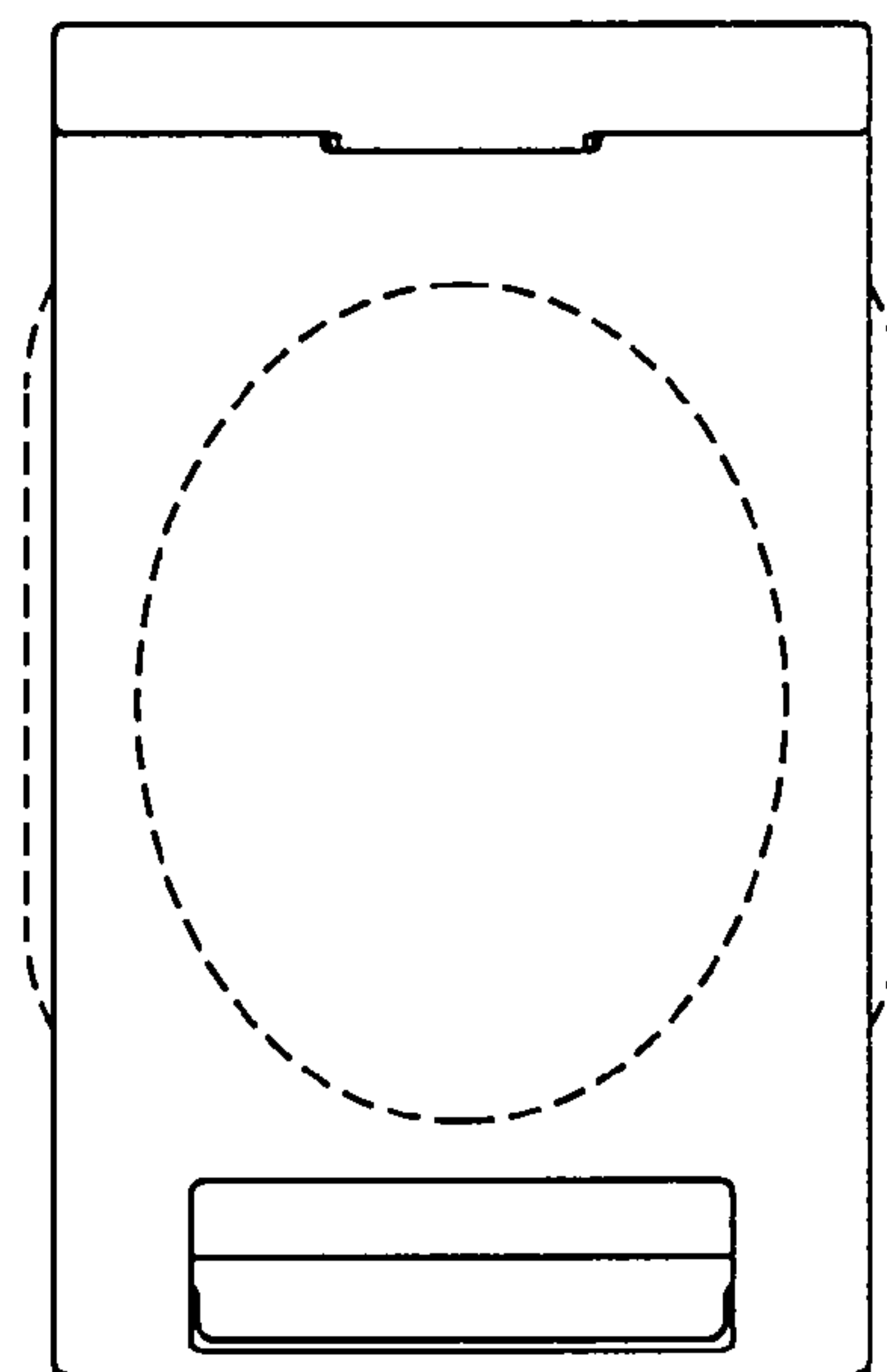
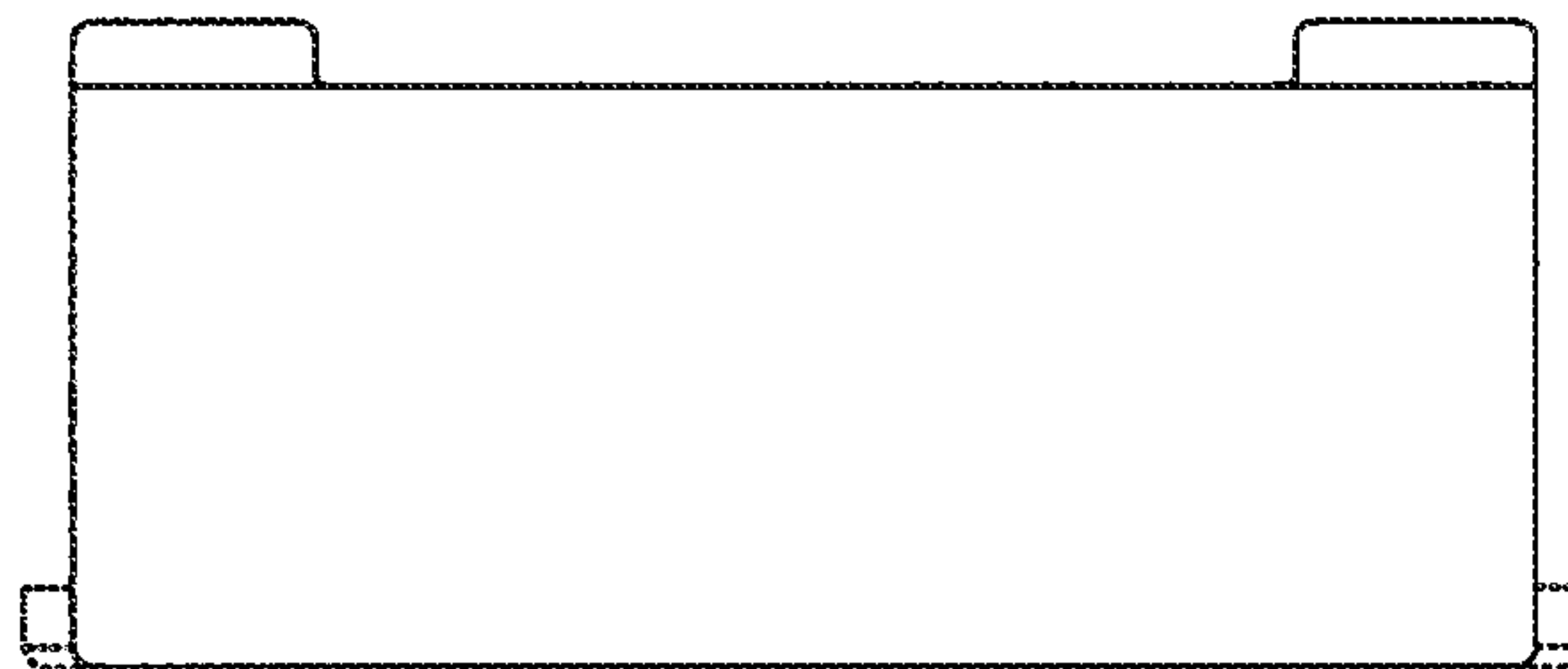


FIG. 12