



US00D630314S

(12) **United States Design Patent**
Stephens

(10) **Patent No.:** **US D630,314 S**
(45) **Date of Patent:** **** Jan. 4, 2011**

(54) **VESSEL WITH HANDLE FOR SINUS CAVITY RINSE**

FOREIGN PATENT DOCUMENTS

DE 29602605 4/1996

(Continued)

(75) Inventor: **William Stephens**, Boulder, CO (US)

OTHER PUBLICATIONS

(73) Assignee: **Water Pik, Inc.**, Fort Collins, CO (US)

Author Unknown, "NasaFlo Neti Pot," <http://www.neilmed.com/usa/nasaflo.php>, 1 page, at least as early as Dec. 9, 2009.

(**) Term: **14 Years**

(Continued)

(21) Appl. No.: **29/352,095**

Primary Examiner—Ian Simmons

(22) Filed: **Dec. 16, 2009**

Assistant Examiner—Charles D Hanson

(74) *Attorney, Agent, or Firm*—Dorsey & Whitney LLP

(51) **LOC (9) Cl.** **24-02**

(52) **U.S. Cl.** **D24/108; D24/111; D7/112**

(58) **Field of Classification Search** D24/108,
D24/110, 111; D7/312, 321; 604/94.01,
604/73, 93.01, 275, 217, 95.03, 514; D9/527,
D9/528, 531; 222/211, 215

See application file for complete search history.

(57) **CLAIM**

The ornamental design for a vessel with handle for sinus cavity rinse, as shown and described.

(56) **References Cited**

DESCRIPTION

U.S. PATENT DOCUMENTS

FIG. 1 is a left, top, front isometric view of a vessel with handle for sinus cavity rinse.

FIG. 2 is a left elevation view of the vessel with handle for sinus cavity rinse of FIG. 1.

FIG. 3 is a right elevation view of the vessel with handle for sinus cavity rinse of FIG. 1.

FIG. 4 is a front elevation view of the vessel with handle for sinus cavity rinse of FIG. 1.

FIG. 5 is a rear elevation view of the vessel with handle for sinus cavity rinse of FIG. 1.

FIG. 6 is a top plan view of the vessel with handle for sinus cavity rinse of FIG. 1; and,

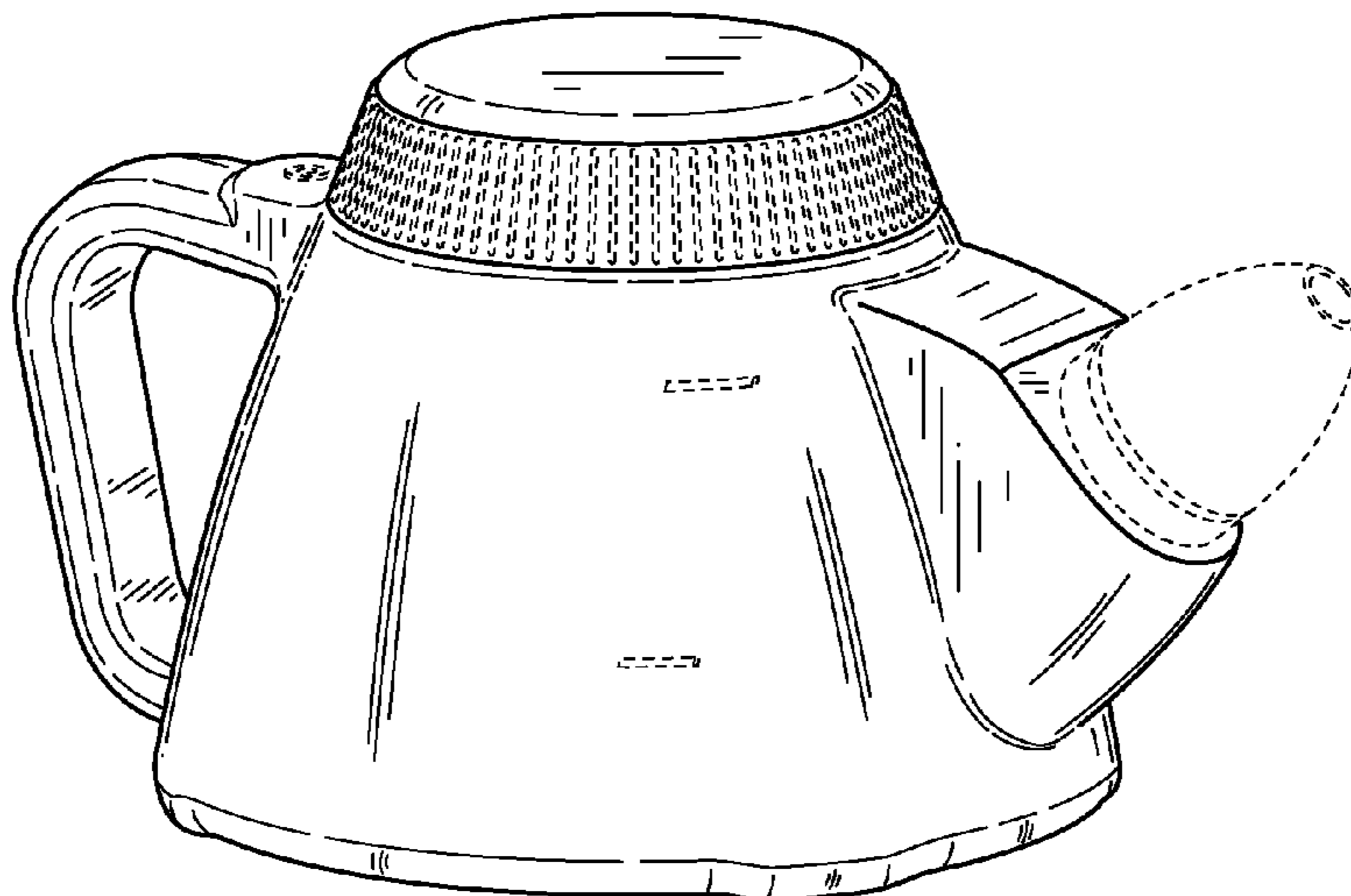
FIG. 7 is a bottom plan view of the vessel with handle for sinus cavity rinse of FIG. 1.

The broken lines shown in the drawings are for purposes of illustrating use and environment only and form no part of the claimed design.

| | | |
|-------------|---------|-------------------|
| 2,115,959 A | 5/1938 | Lewis |
| 2,571,921 A | 10/1951 | Morris |
| 2,578,864 A | 12/1951 | Tupper |
| 2,811,283 A | 10/1957 | Bowen |
| 3,363,808 A | 1/1968 | Gorman |
| 3,847,145 A | 11/1974 | Grossan |
| 4,083,840 A | 4/1978 | Schoefberger |
| D250,546 S | 12/1978 | Pick et al. |
| D250,601 S | 12/1978 | Pick et al. |
| 4,356,941 A | 11/1982 | McRoskey et al. |
| 4,439,206 A | 3/1984 | Hildebrand et al. |
| 4,489,535 A | 12/1984 | Veltman |
| 4,513,891 A | 4/1985 | Hain et al. |
| 4,555,469 A | 11/1985 | Erdmann et al. |
| D305,262 S | 12/1989 | Nichols |

(Continued)

1 Claim, 4 Drawing Sheets



US D630,314 S

Page 2

U.S. PATENT DOCUMENTS

4,925,128 A 5/1990 Brody
5,316,054 A 5/1994 Hall et al.
5,330,634 A 7/1994 Wong et al.
5,354,849 A 10/1994 Schoefberger
D390,744 S * 2/1998 Otero D7/321
5,806,723 A 9/1998 DuBose
D405,525 S 2/1999 Barrett et al.
5,897,872 A 4/1999 Picciano
5,899,878 A 5/1999 Glassman
5,967,377 A 10/1999 Glynn
D424,197 S 5/2000 Sydlowski et al.
D426,300 S 6/2000 Conforti
6,238,377 B1 5/2001 Liu
6,293,436 B2 9/2001 Faughnder et al.
6,520,384 B2 2/2003 Mehta
D481,794 S * 11/2003 Krinsky D24/108
6,669,059 B2 12/2003 Mehta
6,688,497 B2 2/2004 Mehta
6,736,792 B1 5/2004 Liu
D490,896 S 6/2004 Bogazzi
D493,888 S 8/2004 Reschke
D495,954 S 9/2004 Solomon
D497,107 S 10/2004 Hama et al.
D530,815 S * 10/2006 Murphy et al. D24/110
D538,474 S 3/2007 Sheppard et al.
D548,334 S 8/2007 Izumi
D550,097 S 9/2007 Lepoitevin
7,306,121 B2 12/2007 Ophardt et al.

D558,509 S * 1/2008 Bodum D7/321
D558,510 S * 1/2008 Bodum D7/321
D562,404 S 2/2008 Jansen et al.
D590,493 S 4/2009 Harlan et al.
D601,697 S 10/2009 Sobiech et al.
D603,708 S 11/2009 Handy
D608,645 S 1/2010 Handy et al.
2008/0294124 A1 11/2008 Mehta

FOREIGN PATENT DOCUMENTS

GB 881807 10/1958
WO WO9629044 9/1996

OTHER PUBLICATIONS

Author Unknown, "SinuFlo Ready Rinse," <http://www.neilmed.com/usa/sinuflo.php>, 1 page, at least as early as Dec. 9, 2009.
Author Unknown, "Sinus Rinse Nasal Wash," <http://www.neilmed.com/usa/sinusrinse.php>, 3 pages, at least as early as Dec. 9, 2009.
Papsin et al., "Saline Nasal Irrigation," *Canadian Family Physician*, vol. 49, pp. 168-173, Feb. 2003.
Rabago et al., "Efficacy of Daily Hypertonic Saline Nasal Irrigation Among Patients with Sinusitis: A Randomized Controlled Trial," *The Journal of Family Practice*, vol. 51, No. 12, pp. 1049-1055, Dec. 2002.
Schumann et al., "Patients Insist on Antibiotics for Sinusitis? Here is a Good Reason to Say 'No'," *The Journal of Family Practice*, vol. 57, No. 7, pp. 464-468, Jul. 2008.

* cited by examiner

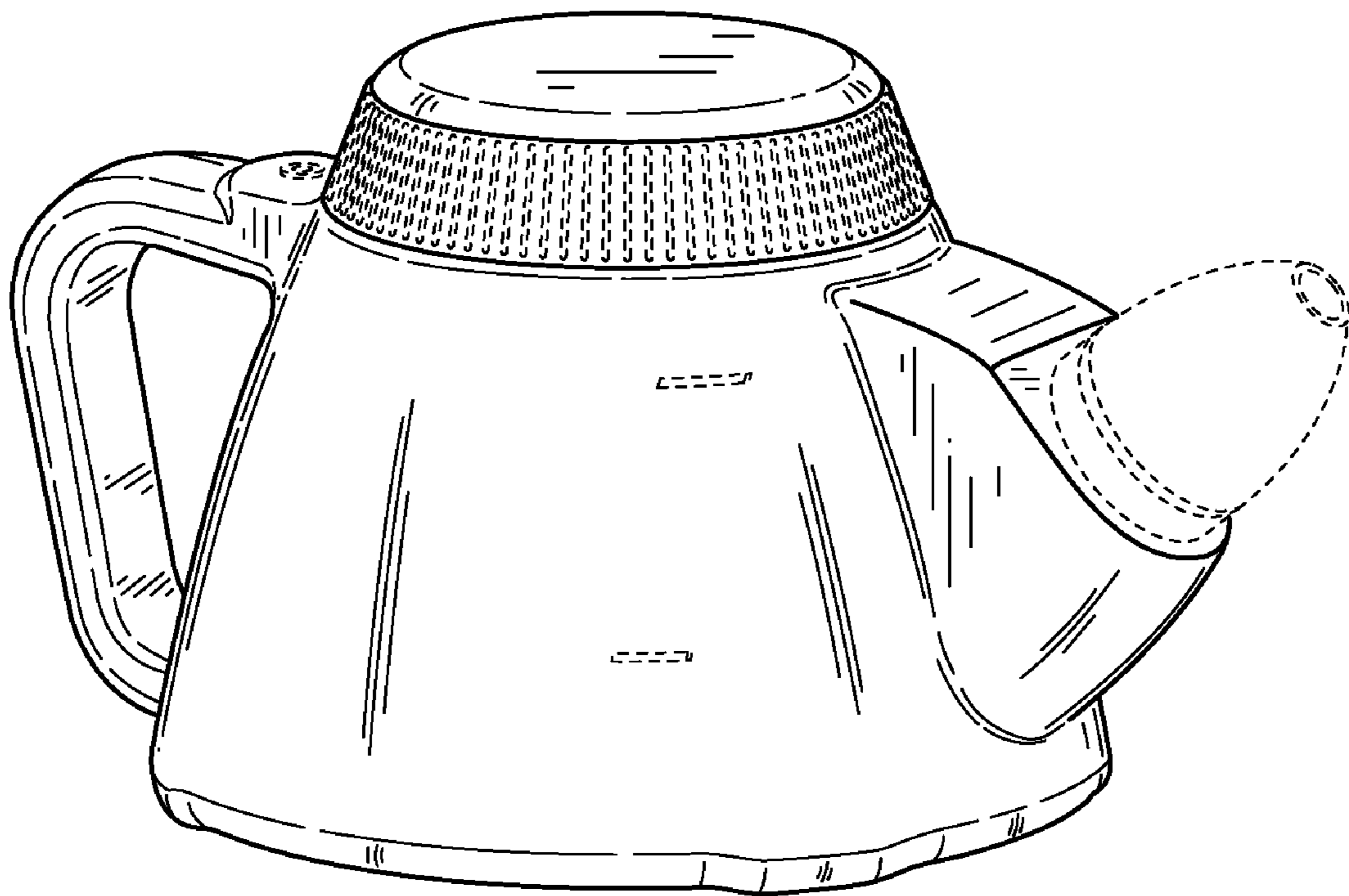


FIG. 1

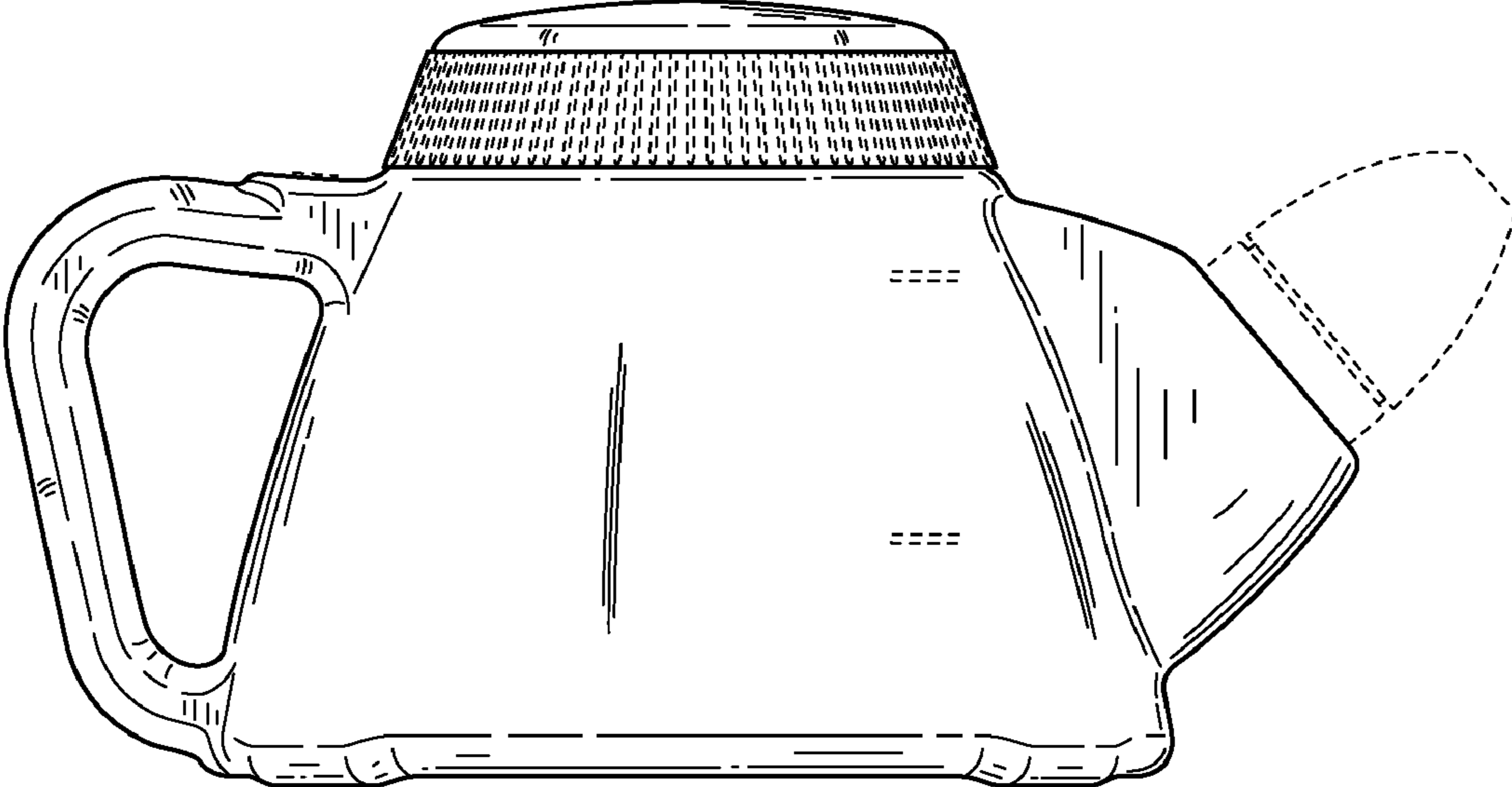


FIG. 2

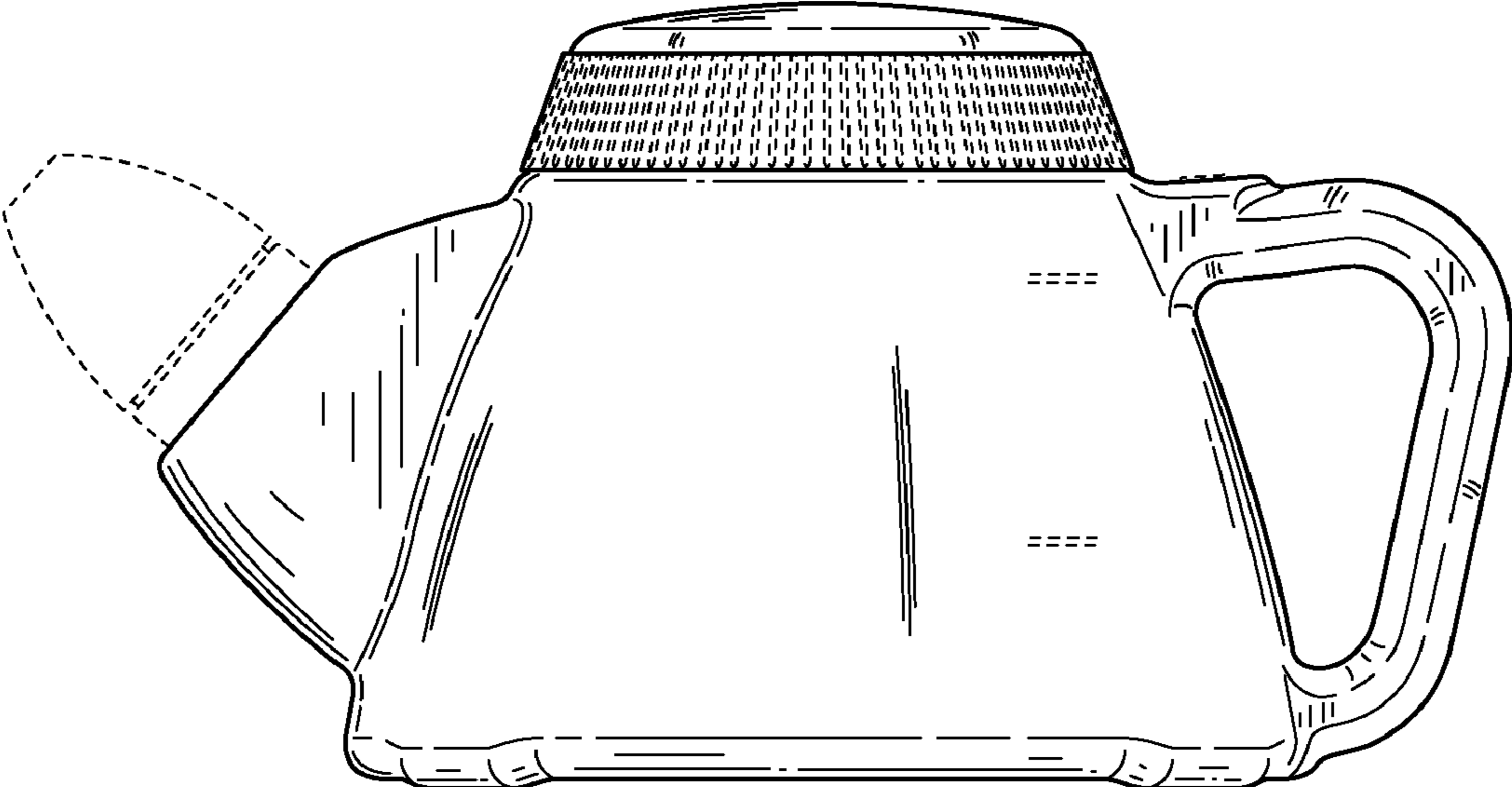


FIG. 3

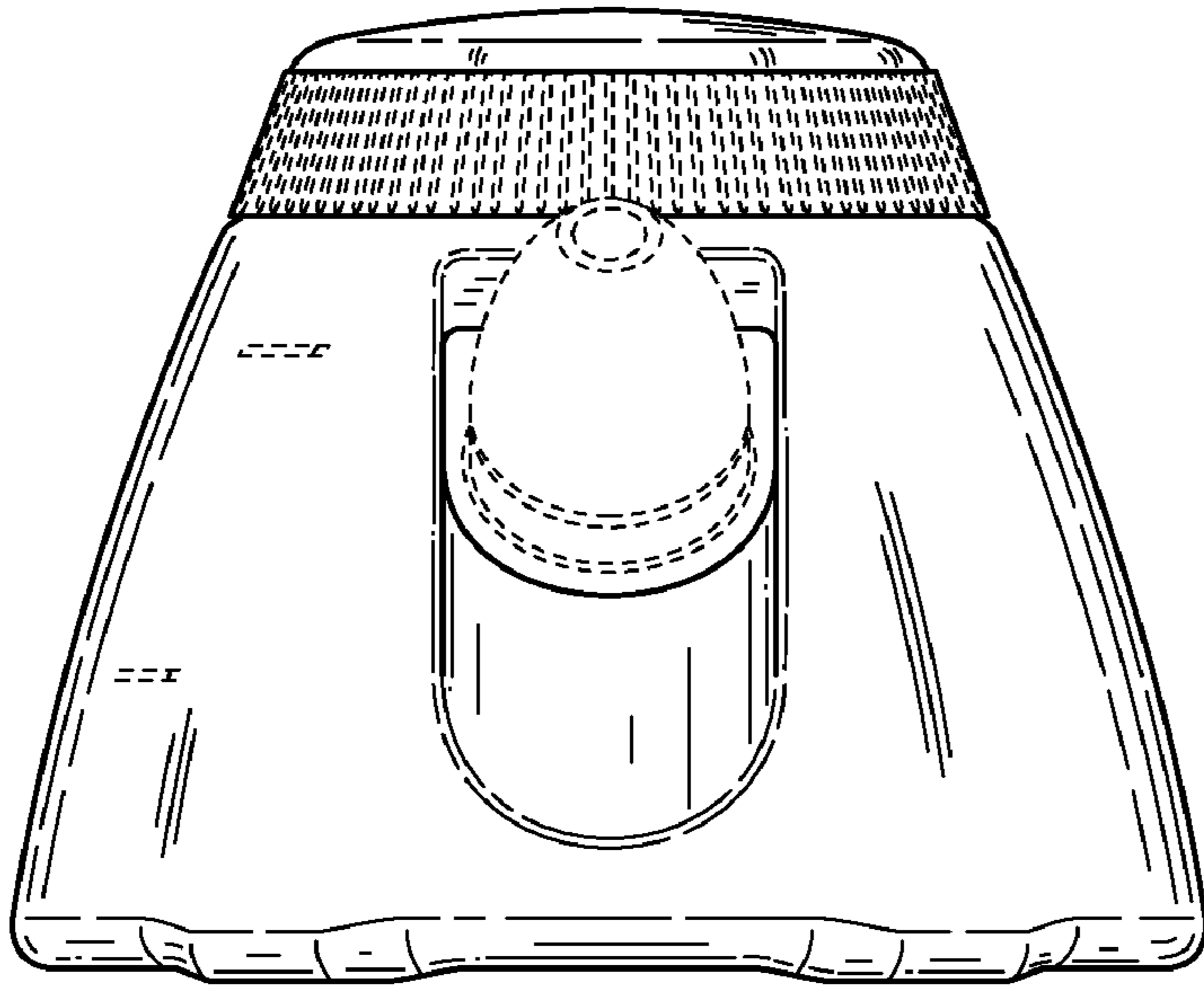


FIG. 4

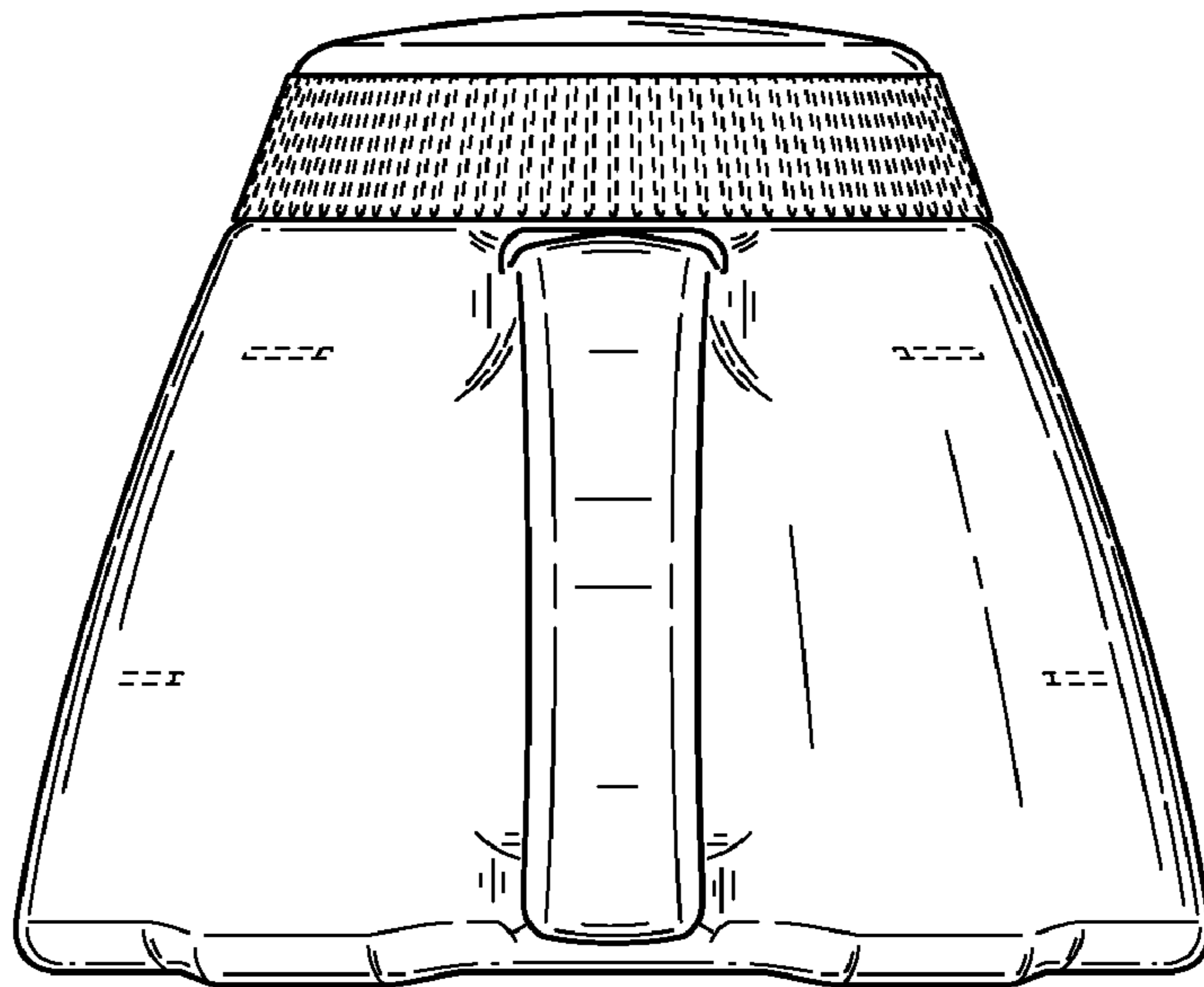


FIG. 5

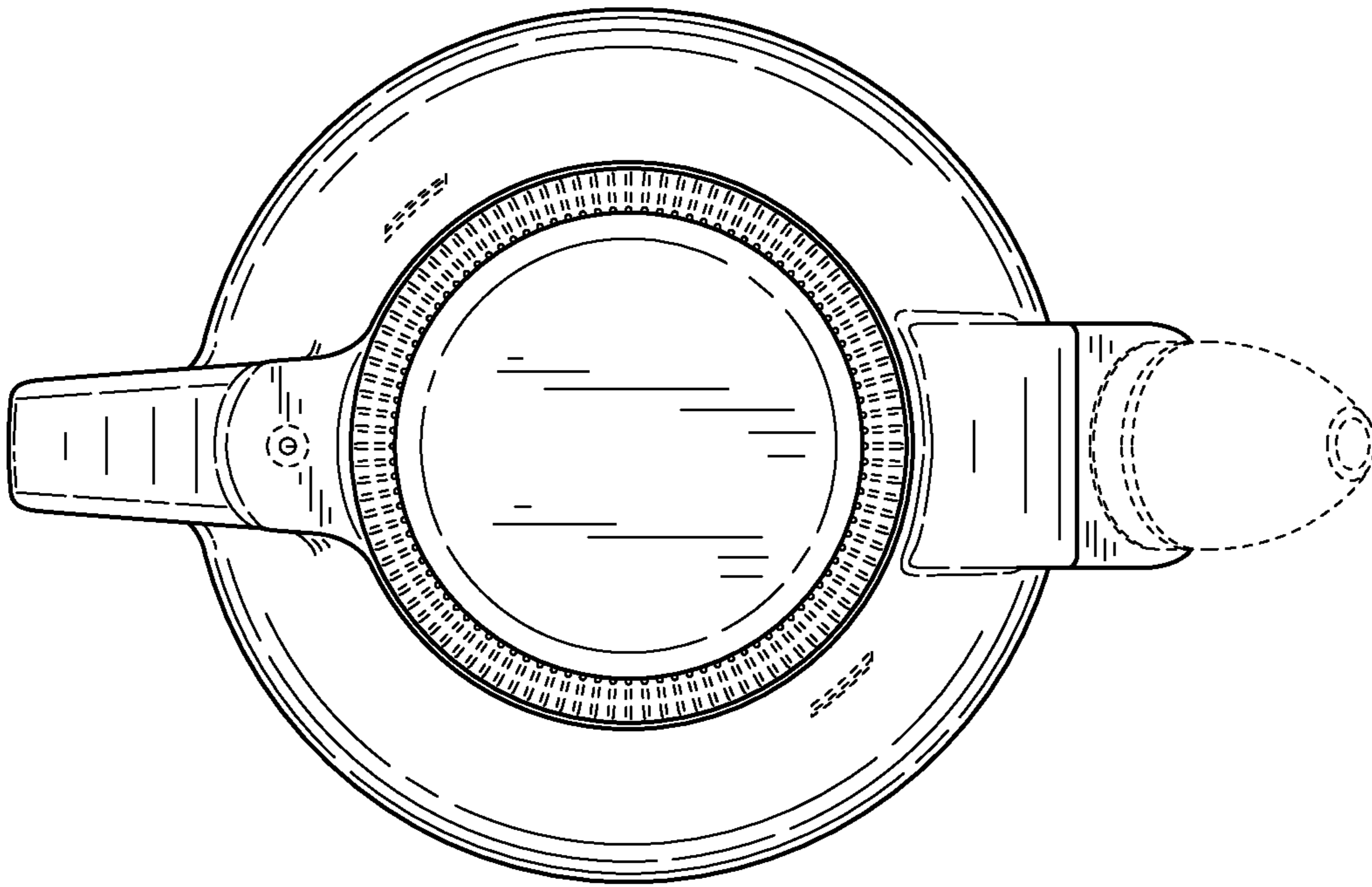


FIG. 6

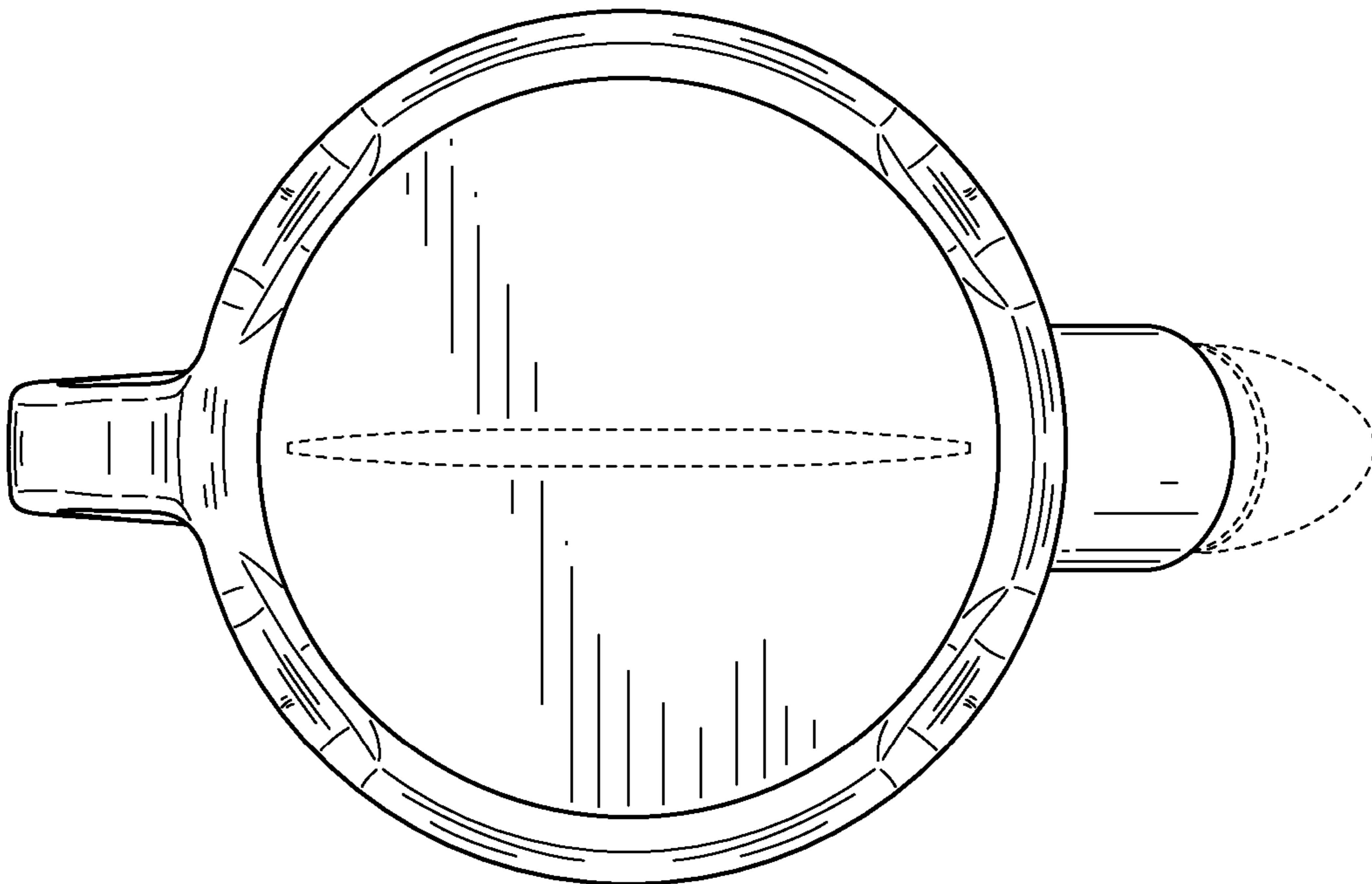


FIG. 7