



US00D630312S

(12) **United States Design Patent**
Spaulding

(10) **Patent No.:** **US D630,312 S**

(45) **Date of Patent:** **** Jan. 4, 2011**

(54) **SCREW IN FAN**

(76) Inventor: **Robert D. Spaulding**, 5560 Andromeda Dr., Milton, FL (US) 32570

(**) Term: **14 Years**

(21) Appl. No.: **29/370,079**

(22) Filed: **Jun. 4, 2010**

(51) **LOC (9) Cl.** **23-04**

(52) **U.S. Cl.** **D23/377**

(58) **Field of Classification Search** D23/377,
D23/379, 385, 411, 413; 416/5; D26/59,
D26/72, 81-88

See application file for complete search history.

(56) **References Cited**

U.S. PATENT DOCUMENTS

785,004 A	3/1905	Kleem et al.	
1,222,837 A	4/1917	Winslow et al.	
4,098,547 A	7/1978	Wrobel	
D270,942 S	* 10/1983	McCain D23/379
D283,156 S	3/1986	Mandelli	
5,287,253 A	2/1994	Blorstad	
5,586,867 A	12/1996	Mehlos	
D421,797 S	* 3/2000	Collmar D23/377

2005/0265848 A1 12/2005 Tseng

* cited by examiner

Primary Examiner—Lisa P Lichtenstein

(74) *Attorney, Agent, or Firm*—Paul R. Martin

(57) **CLAIM**

The ornamental design for a screw in fan, as shown and described.

DESCRIPTION

FIG. 1 is a perspective view of my new design for a fan.

FIG. 2 is a plan view from the top of the fan shown in FIG. 1.

FIG. 3 is an elevational view from the front of the fan shown in FIG. 1.

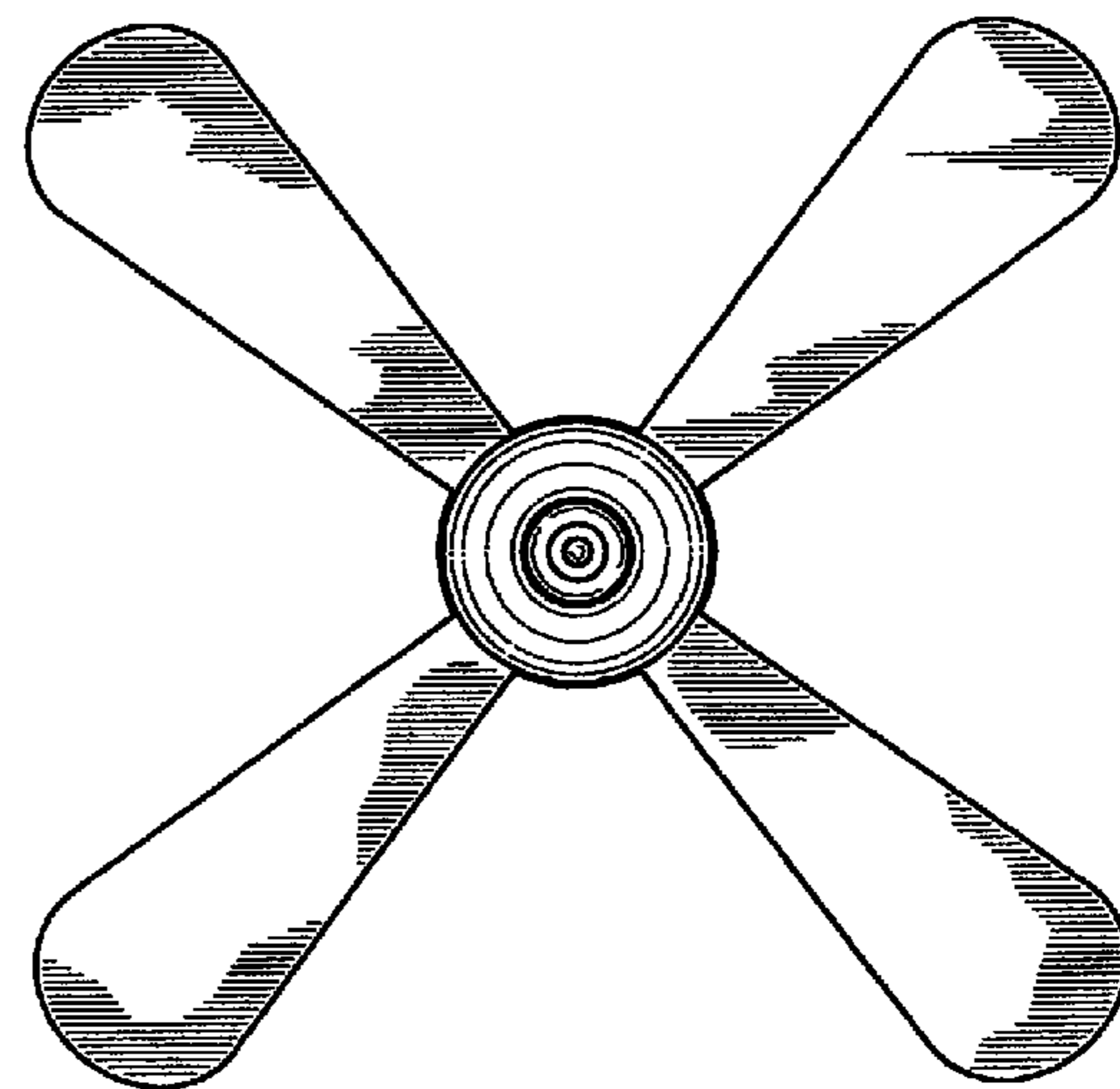
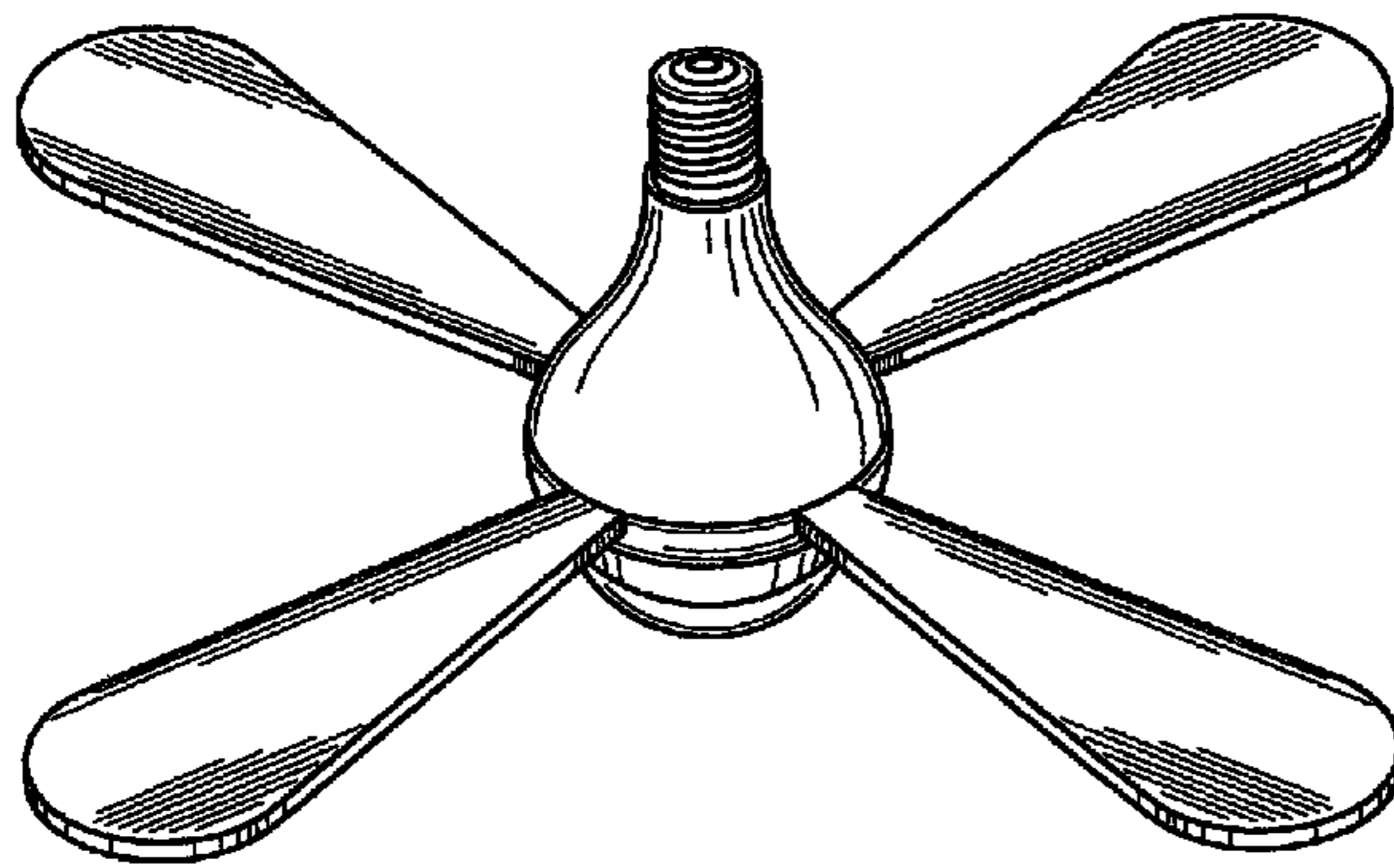
An elevational view from the back of the fan would be a mirror image to that shown in FIG. 3.

FIG. 4 is a plan view from the bottom of the fan shown in FIG. 1; and,

FIG. 5 is an elevational view from the side of the fan shown in FIG. 1.

An elevational view from the side opposite to that shown in FIG. 5, would be a mirror image thereof.

1 Claim, 3 Drawing Sheets



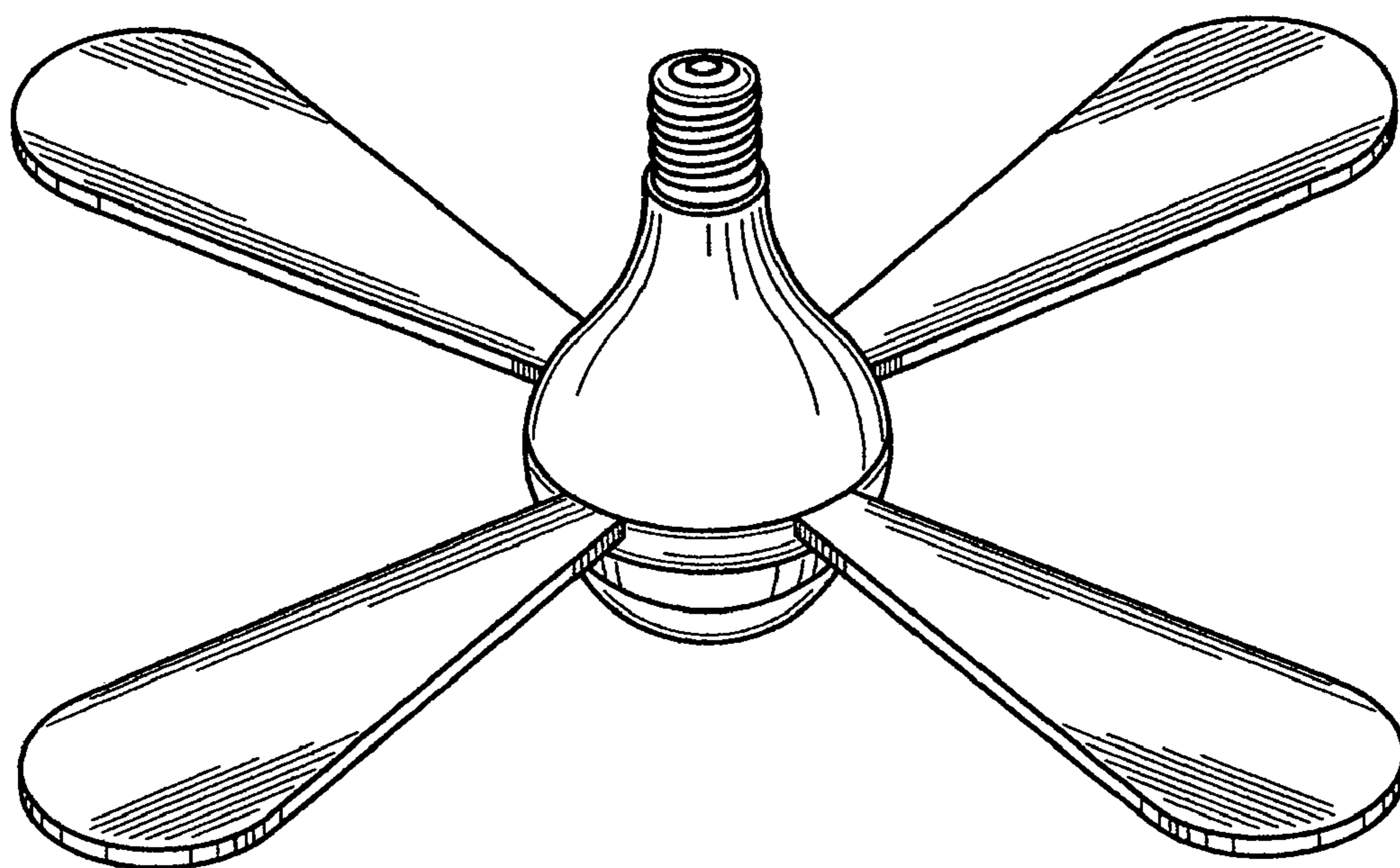


FIG. 1

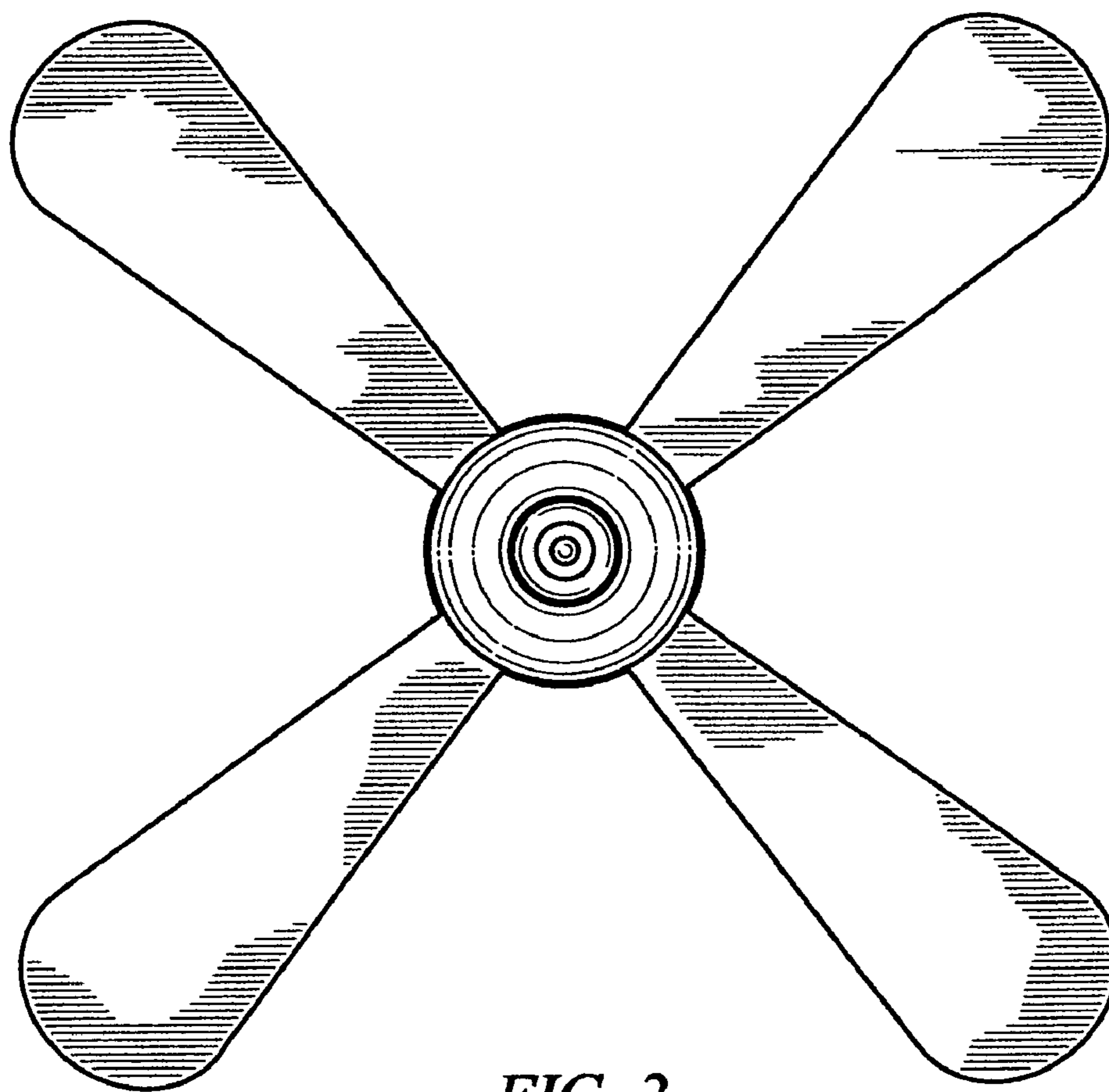


FIG. 2

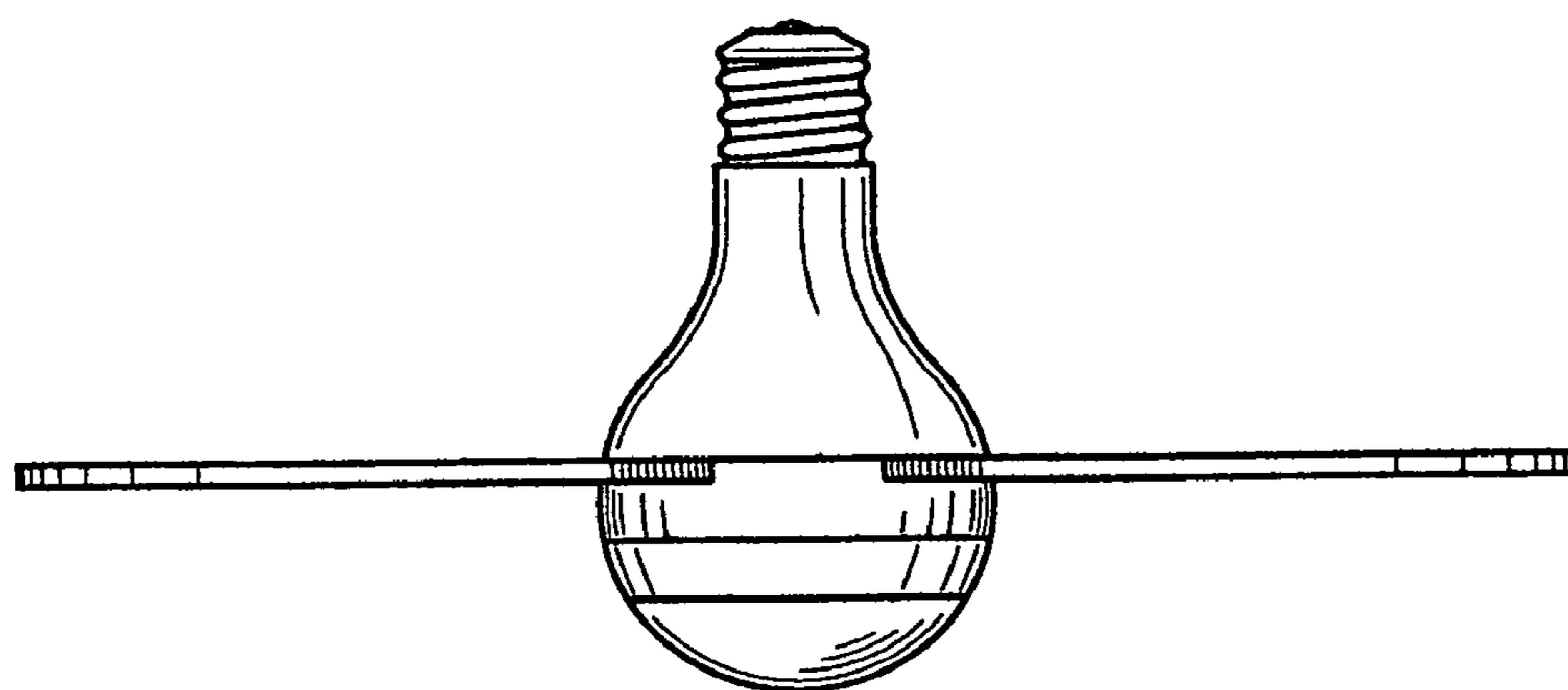


FIG. 3

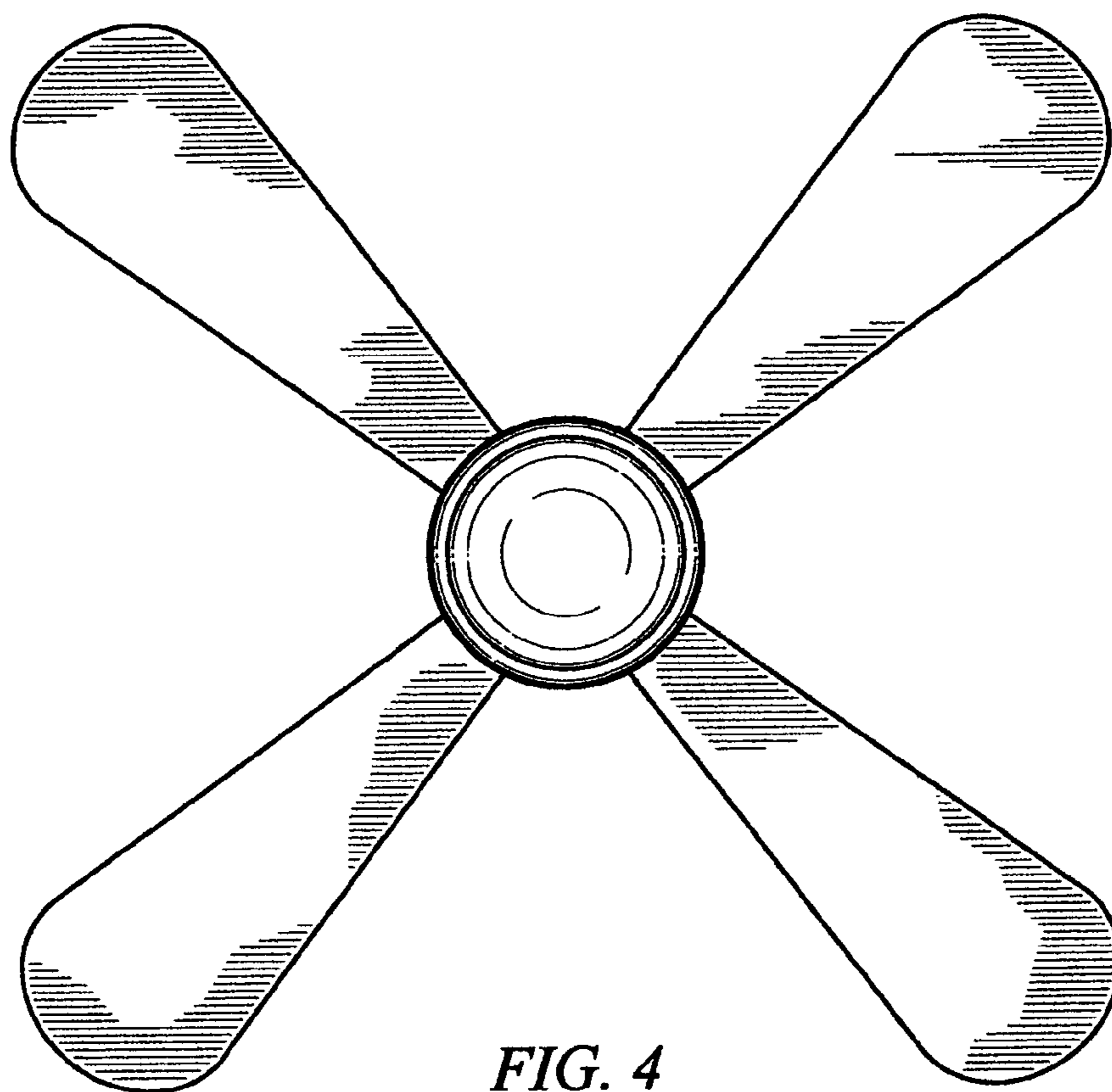


FIG. 4

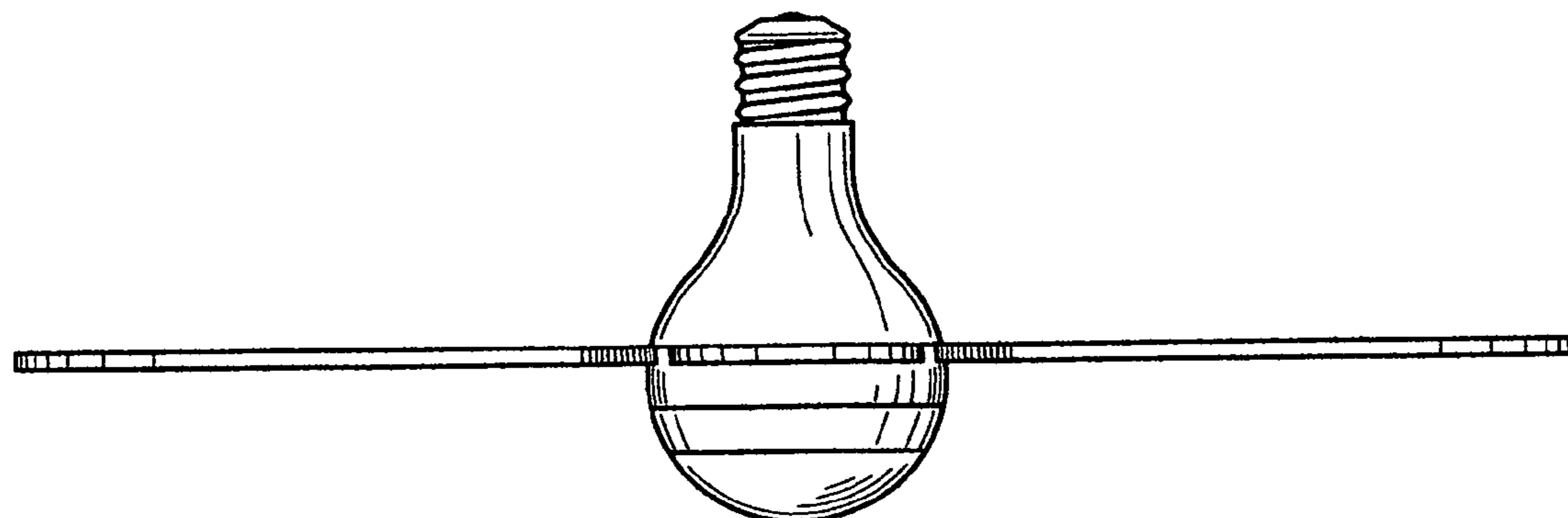


FIG. 5