



US00D630311S

(12) **United States Design Patent**
Chiou

(10) **Patent No.:** **US D630,311 S**
(45) **Date of Patent:** **** Jan. 4, 2011**

(54) **CARTRIDGE**

(75) Inventor: **Joe Chiou**, Wilmette, IL (US)

(73) Assignee: **Technical Concepts, LLC**, Mundelein, IL (US)

(**) Term: **14 Years**

(21) Appl. No.: **29/340,572**

(22) Filed: **Jul. 21, 2009**

(51) **LOC (9) Cl.** **28-99**

(52) **U.S. Cl.** **D23/366**

(58) **Field of Classification Search** D23/355-369;
D28/5, 6; 261/DIG. 17, DIG. 42, DIG. 65,
261/DIG. 88, DIG. 89; 392/386, 390, 391,
392/392, 394, 395, 389, 393; 239/34, 35,
239/43-45, 53, 56, 57, 60, 326, 42, 50, 55,
239/6, 398, 548; 231/19, 26

See application file for complete search history.

(56) **References Cited**

U.S. PATENT DOCUMENTS

4,157,787	A *	6/1979	Schwartz	239/56
4,830,791	A *	5/1989	Muderlak et al.	422/116
4,849,606	A *	7/1989	Martens et al.	392/390
5,148,983	A *	9/1992	Muniz	239/56
5,324,490	A *	6/1994	Van Vlahakis et al.	422/305
5,529,726	A *	6/1996	Glenn	261/142
5,613,625	A *	3/1997	Specht	222/180
D380,822	S *	7/1997	Decker et al.	D23/366
5,688,446	A *	11/1997	Glenn	261/142
D415,266	S *	10/1999	Glattstein	D23/356
6,053,483	A *	4/2000	Chen	261/30
6,105,916	A *	8/2000	Zlotnik et al.	248/311.2
6,267,197	B1 *	7/2001	Douglas	180/383
6,569,387	B1 *	5/2003	Furner et al.	422/123
6,610,254	B1 *	8/2003	Furner et al.	422/123
6,728,478	B2 *	4/2004	Cox et al.	392/390
D503,467	S *	3/2005	Flashinski et al.	D23/366
D520,130	S *	5/2006	Miro	D23/368

D536,082	S *	1/2007	Pugh	D23/366
D540,454	S *	4/2007	Ruiz Ballesteros et al.	D23/366
D562,957	S *	2/2008	Feriani et al.	D23/366
D562,958	S *	2/2008	Feriani et al.	D23/366
D582,535	S *	12/2008	Nickel et al.	D23/366
D599,898	S *	9/2009	Nickel et al.	D23/366
D607,984	S *	1/2010	Ko et al.	D23/366
D611,585	S *	3/2010	Gruenbacher et al.	D23/366
D611,589	S *	3/2010	Ko et al.	D23/366
D612,039	S *	3/2010	Ko et al.	D23/366
7,735,694	B2 *	6/2010	Brown et al.	222/325
D622,836	S *	8/2010	Deflorian et al.	D23/366
2003/0156830	A1 *	8/2003	Cox et al.	392/390
2005/0286876	A1 *	12/2005	Gasper	392/392

* cited by examiner

Primary Examiner—Sandra Snapp

(74) *Attorney, Agent, or Firm*—Dennis J. Williamson; Moore & Van Allen, PLLC

(57) **CLAIM**

We claim the ornamental design for a cartridge, as shown and described.

DESCRIPTION

FIG. 1 is a perspective top view showing my new design for a cartridge;

FIG. 2 is a top view showing my new design shown in FIG. 1;

FIG. 3 is a front side view showing my new design shown in FIG. 1;

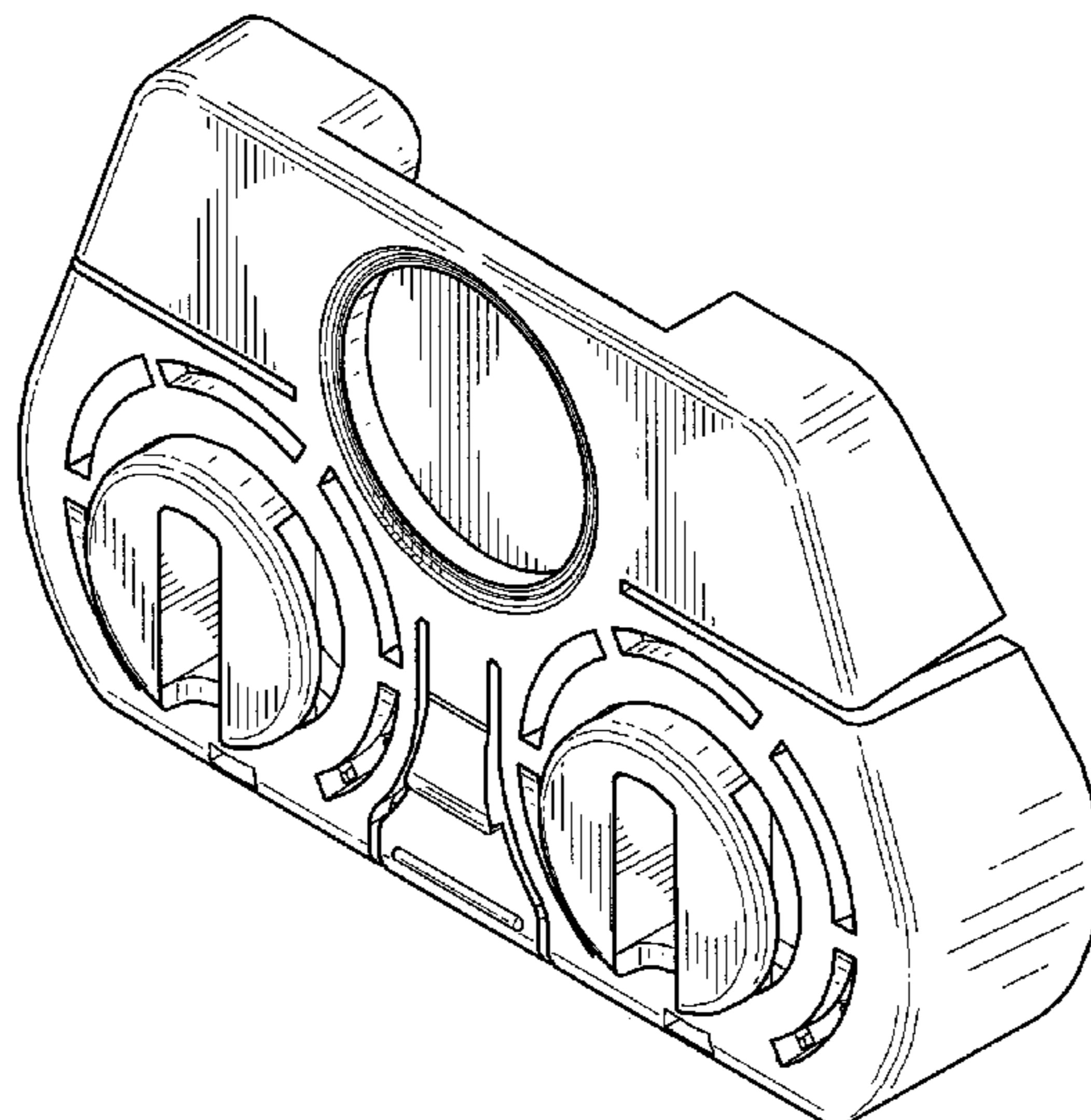
FIG. 4 is a back side view showing my new design shown in FIG. 1;

FIG. 5 is a right side view showing my new design, the other side view being identical;

FIG. 6 is a bottom view showing my new design shown in FIG. 1; and,

FIG. 7 is a perspective bottom view showing my new design shown in FIG. 1.

1 Claim, 4 Drawing Sheets



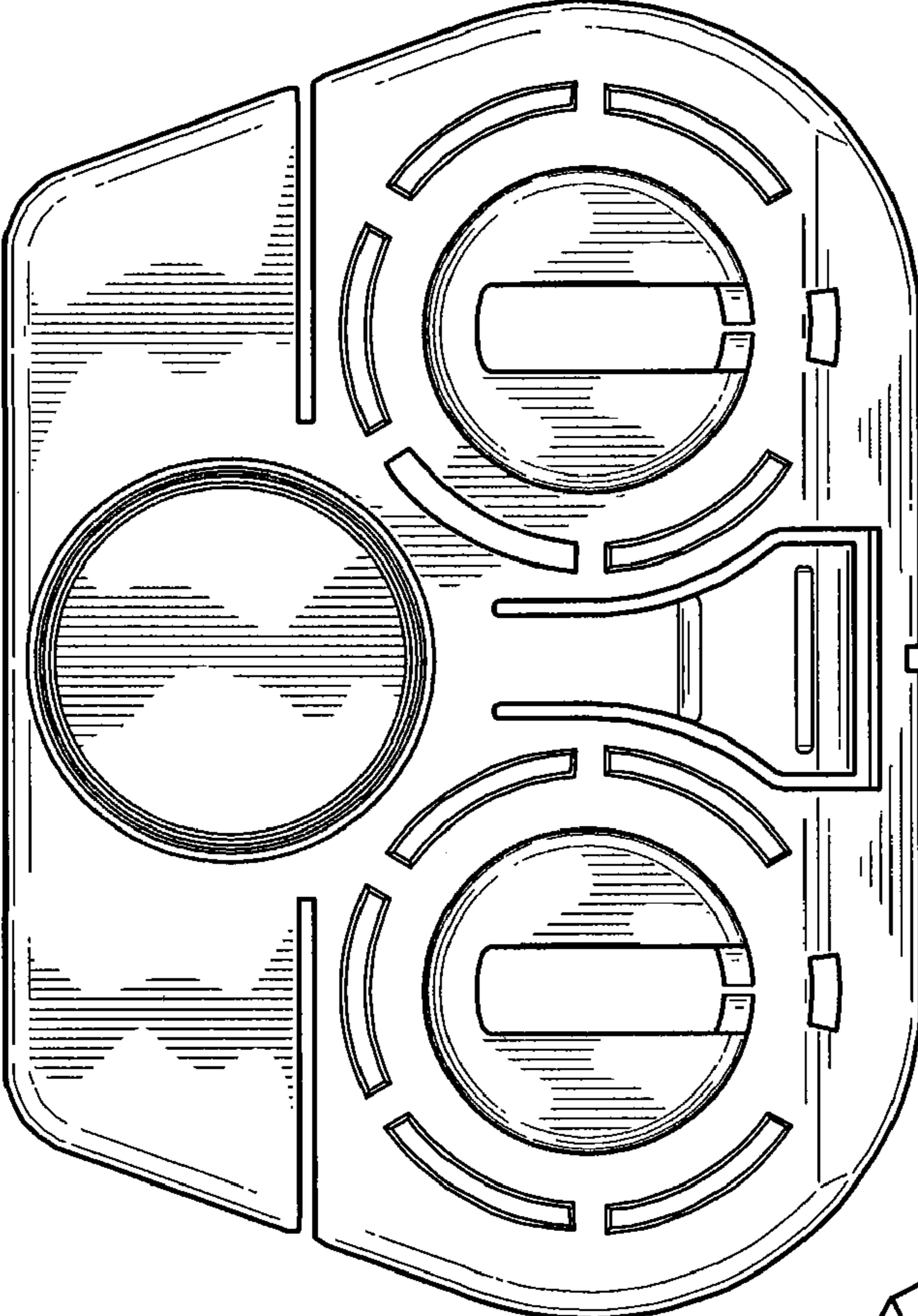


FIG. 2

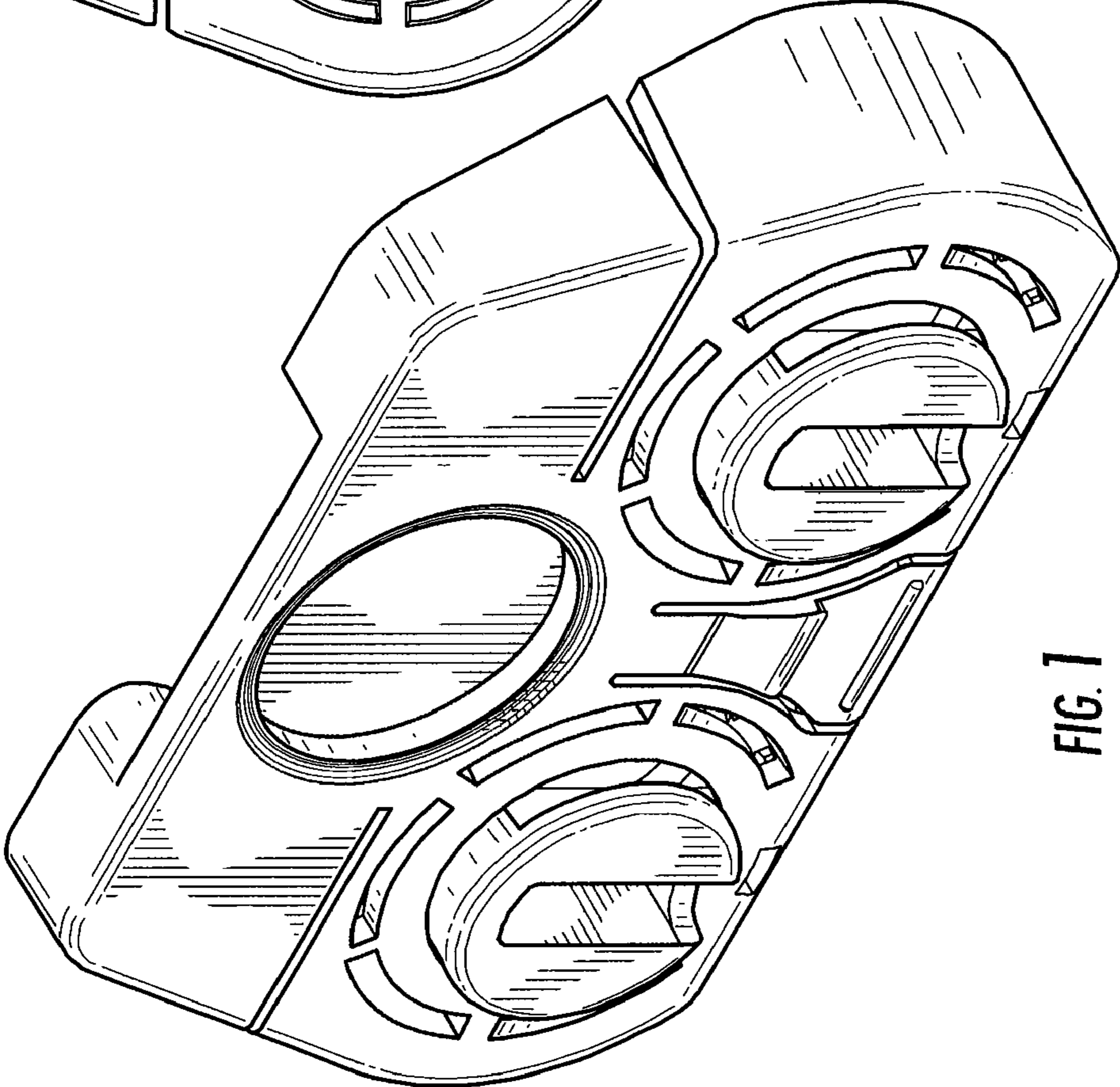


FIG. 1

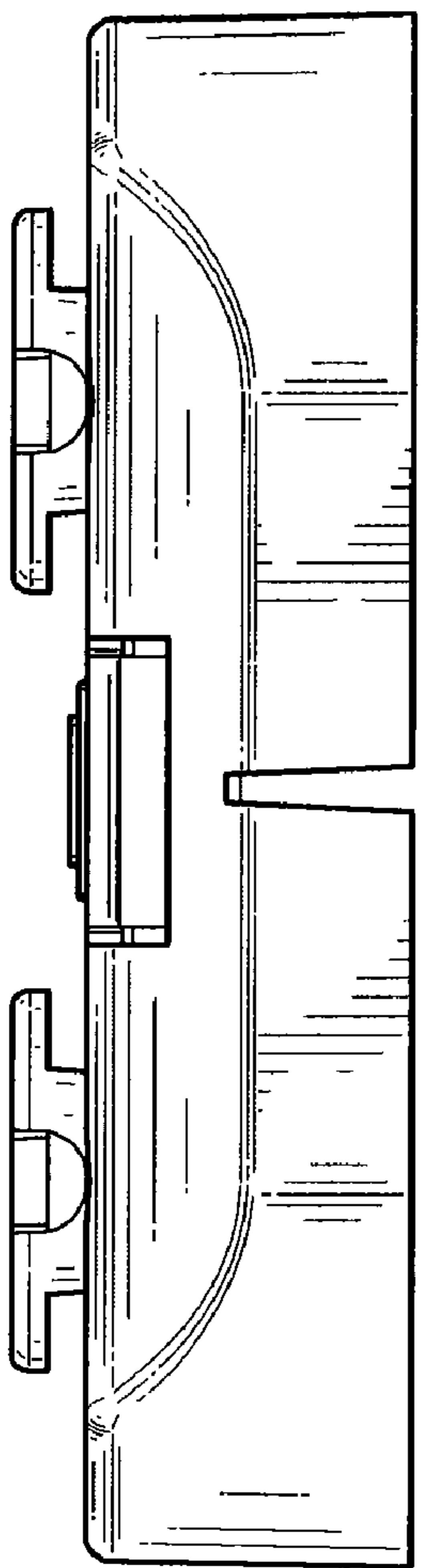


FIG. 3

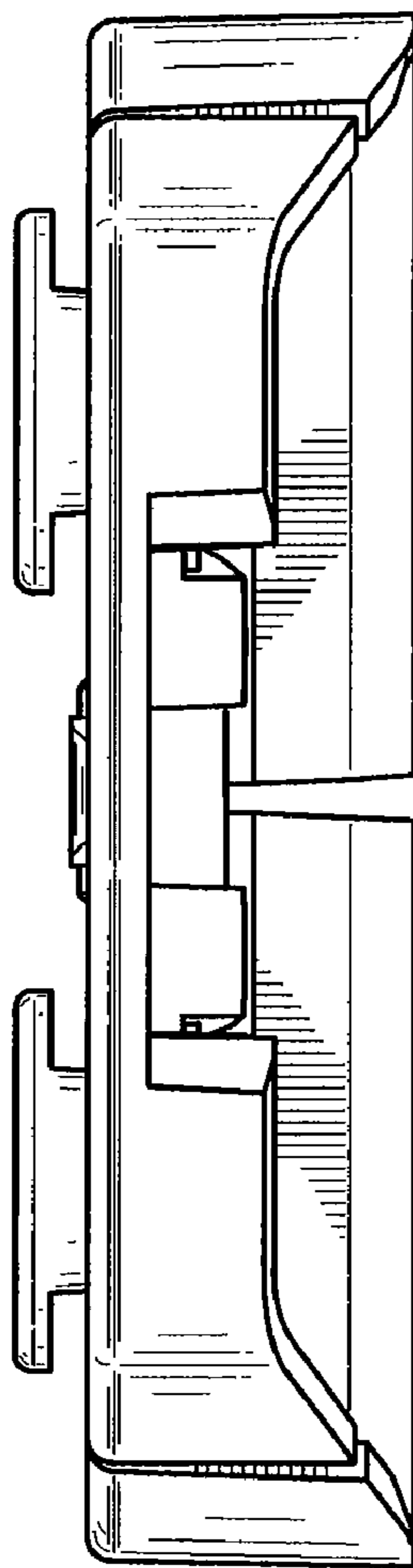


FIG. 4

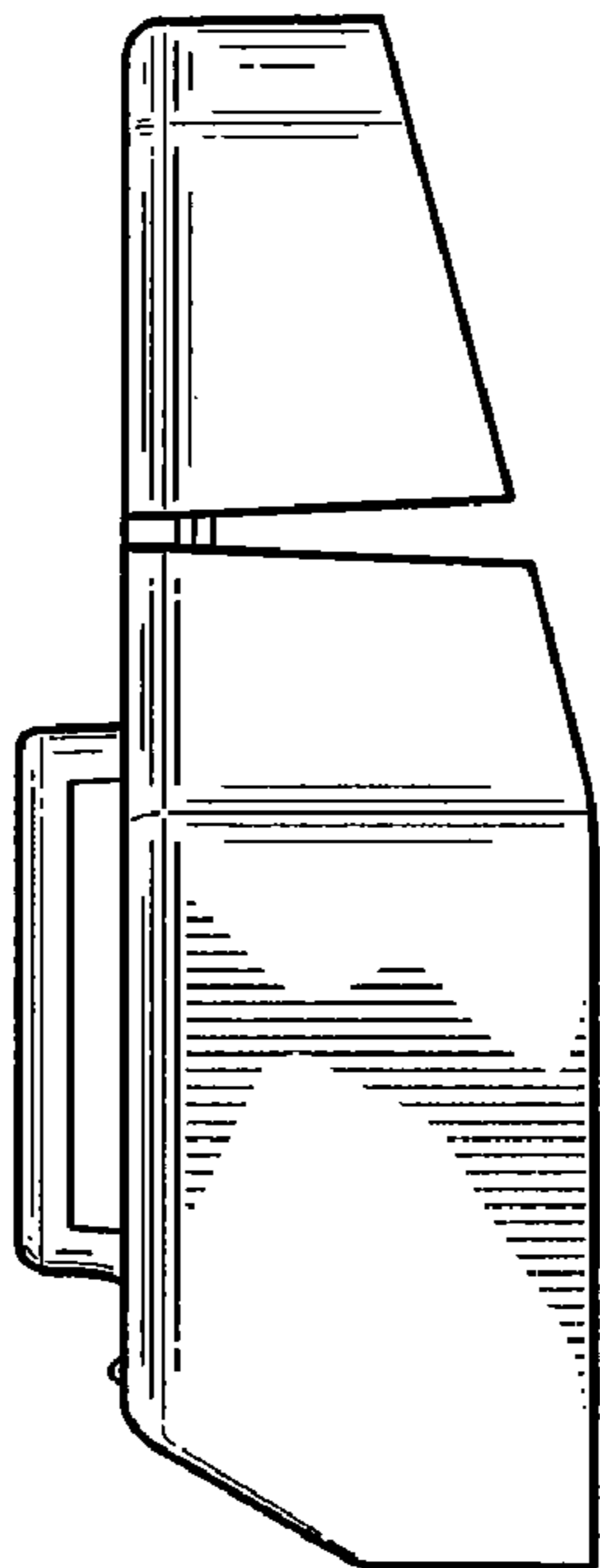


FIG. 5

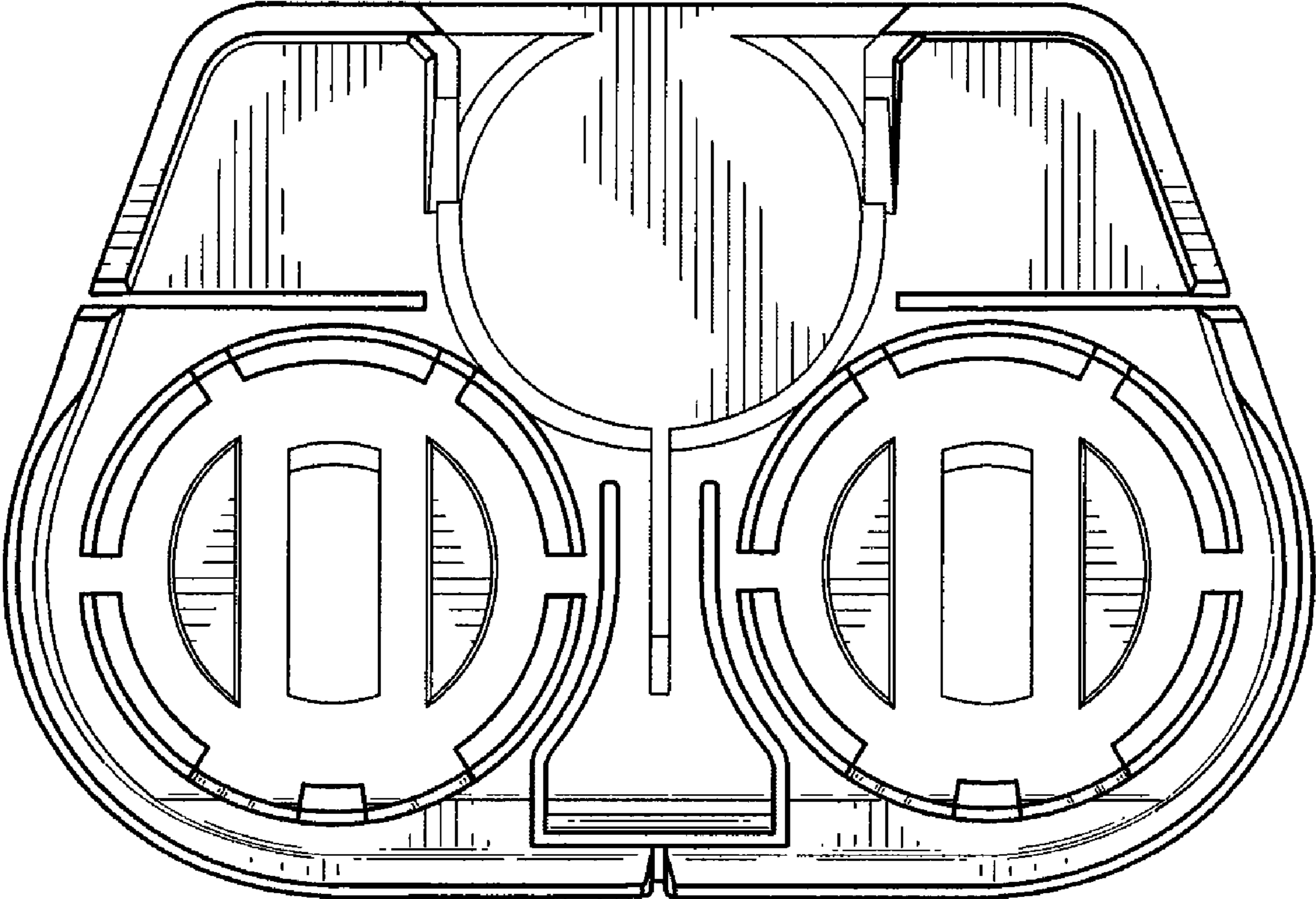


FIG. 6

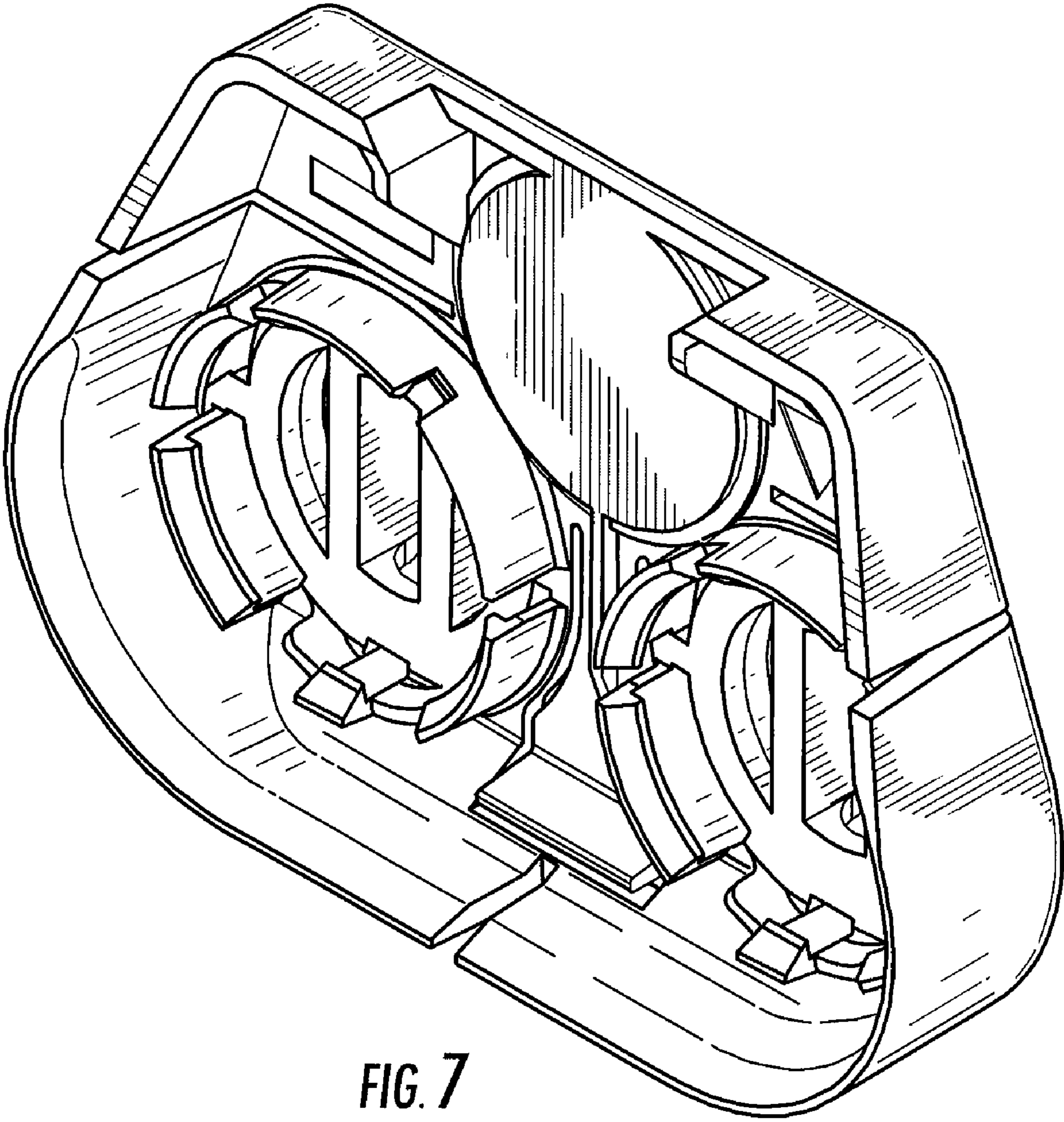


FIG. 7