

US00D630307S

(12) **United States Design Patent**  
**Rigolio**

(10) **Patent No.:** **US D630,307 S**

(45) **Date of Patent:** **\*\* Jan. 4, 2011**

(54) **ADAPTER FOR ATTACHING A SEALING BOTTLE TO A SEALING PISTOL**

(75) Inventor: **Riccardo Rigolio**, Olgiate Olona (IT)

(73) Assignee: **RIGO s.r.l.**, Olgiate Olona (VA) (IT)

(\*\*) Term: **14 Years**

(21) Appl. No.: **29/309,260**

(22) Filed: **Jul. 15, 2008**

(51) **LOC (9) Cl.** ..... **23-01**

(52) **U.S. Cl.** ..... **D23/262**

(58) **Field of Classification Search** ..... D23/259–262,  
D23/223–226; D9/434, 447; D8/397–399,  
D8/387; D15/140; D24/129, 165, 109, 156;  
483/65; 279/91, 143; 81/DIG. 11; 409/234;  
239/375–379, 302

See application file for complete search history.

(56) **References Cited**

**U.S. PATENT DOCUMENTS**

|           |     |         |                  |       |           |
|-----------|-----|---------|------------------|-------|-----------|
| 1,236,101 | A * | 8/1917  | Newton           | ..... | 239/24    |
| 2,058,118 | A * | 10/1936 | White            | ..... | 141/392   |
| 4,036,438 | A * | 7/1977  | Soderlind et al. | ..... | 239/288.5 |
| 4,700,890 | A * | 10/1987 | Hasegawa         | ..... | 239/103   |
| 4,717,074 | A * | 1/1988  | Karliner et al.  | ..... | 239/288   |
| D459,207  | S * | 6/2002  | Miyata           | ..... | D8/397    |
| D503,213  | S * | 3/2005  | Stevens et al.   | ..... | D23/225   |

|              |      |         |              |       |         |
|--------------|------|---------|--------------|-------|---------|
| D565,151     | S *  | 3/2008  | Brown        | ..... | D23/213 |
| D569,955     | S *  | 5/2008  | Chen         | ..... | D23/262 |
| D574,464     | S *  | 8/2008  | Rigolio      | ..... | D23/226 |
| D577,795     | S *  | 9/2008  | Smith et al. | ..... | D23/262 |
| D602,118     | S *  | 10/2009 | Bruno et al. | ..... | D23/213 |
| 2008/0031081 | A1 * | 2/2008  | Rigolio      | ..... | 366/131 |

\* cited by examiner

*Primary Examiner*—Celia A. Murphy

*Assistant Examiner*—John Windmuller

(74) *Attorney, Agent, or Firm*—Jacobson Holman PLLC

(57) **CLAIM**

I claim the ornamental design for an adapter for attaching a sealing bottle to a sealing pistol, as shown and described.

**DESCRIPTION**

FIG. 1 shows a first perspective view of an adapter for attaching a sealing bottle to a sealing pistol;

FIG. 2 shows a second perspective view of the adapter of FIG. 1;

FIG. 3 shows a lateral view of the adapter of FIG. 2;

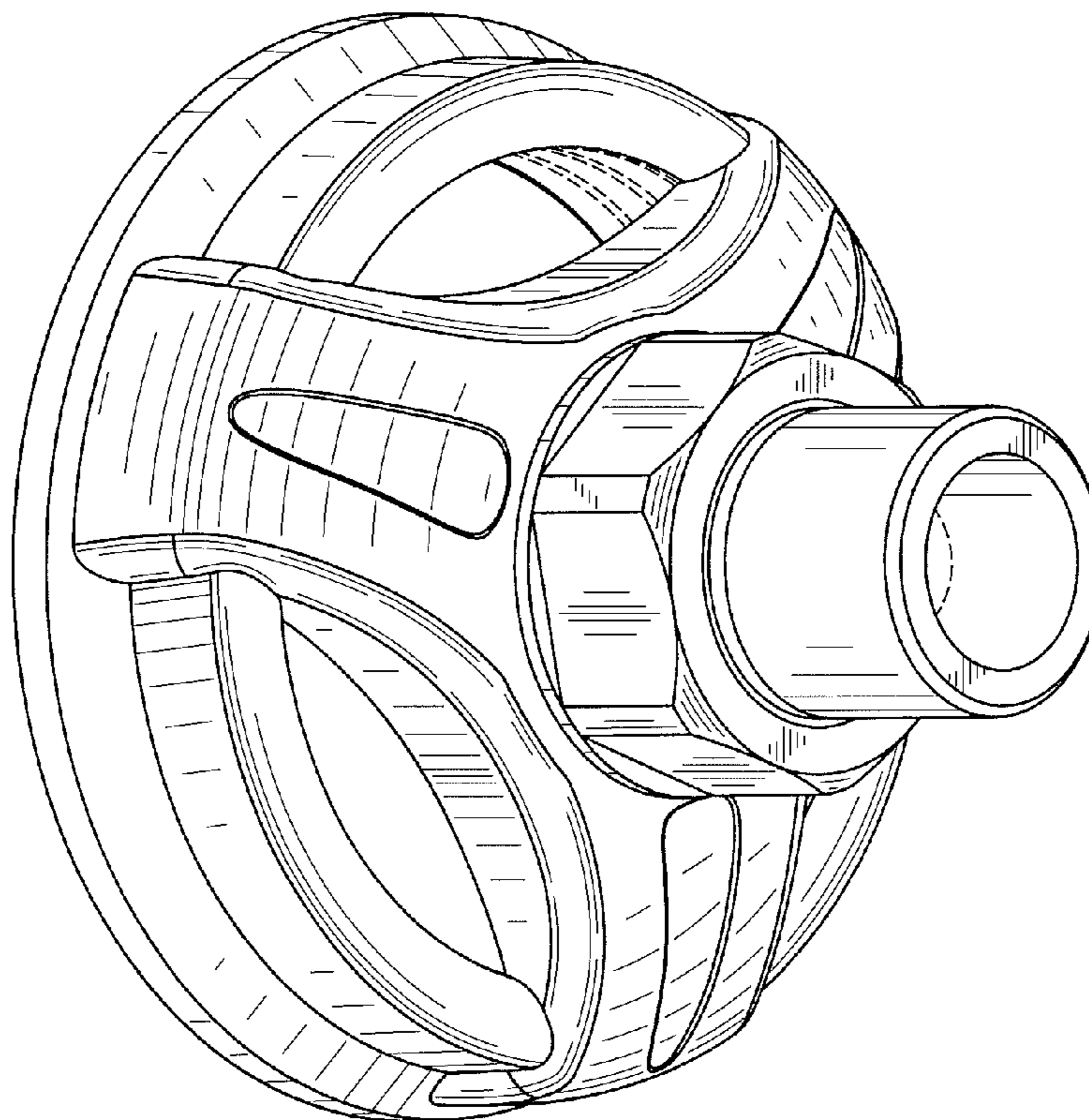
FIG. 4 shows a lateral view of the adapter of FIG. 1;

FIG. 5 shows a front view of the adapter of FIG. 4; and,

FIG. 6 shows a rear view of the adapter of FIG. 4.

The portions of the adapter shown in broken lines form no part of the claimed design.

**1 Claim, 5 Drawing Sheets**



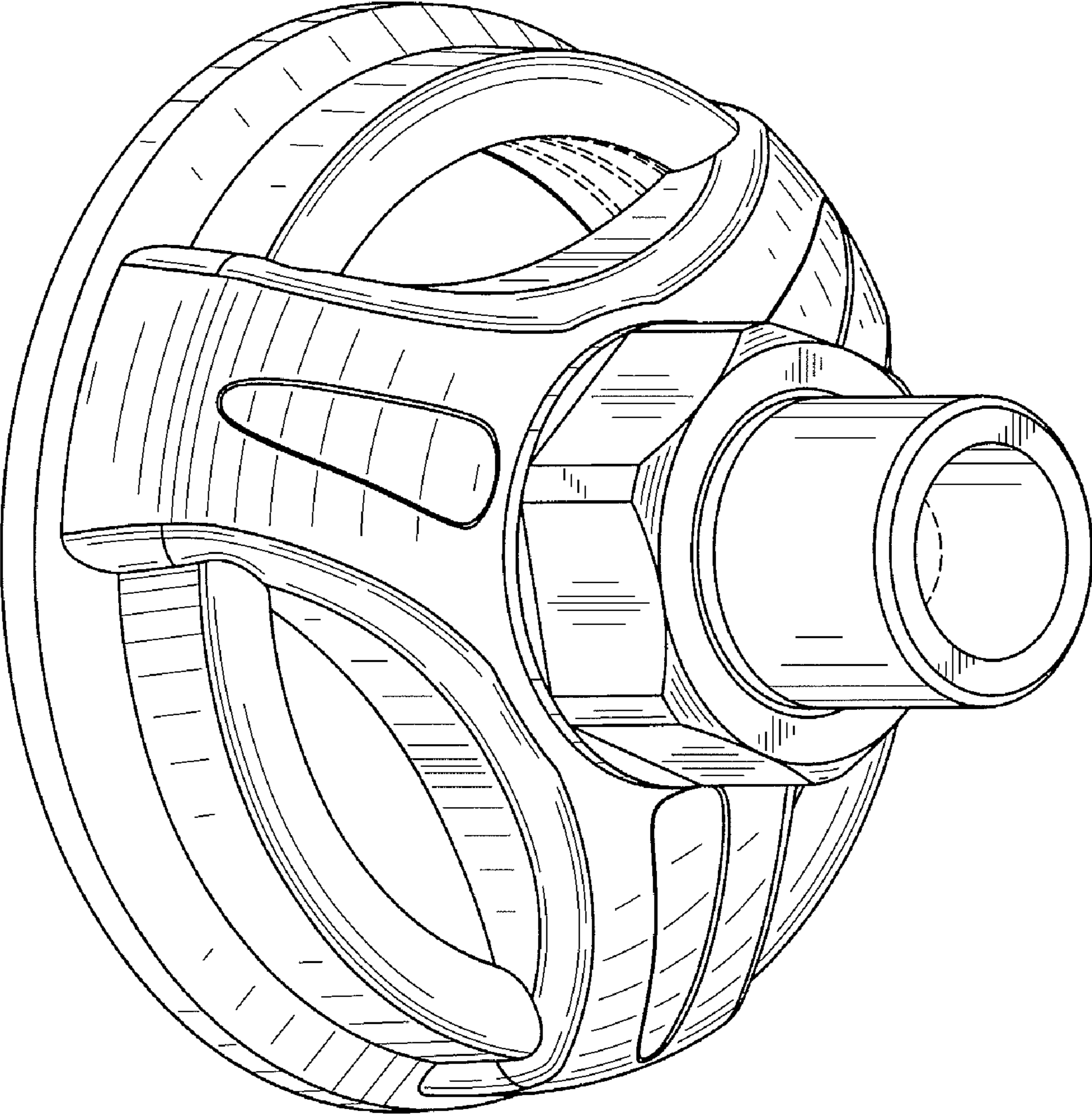


FIG. 1

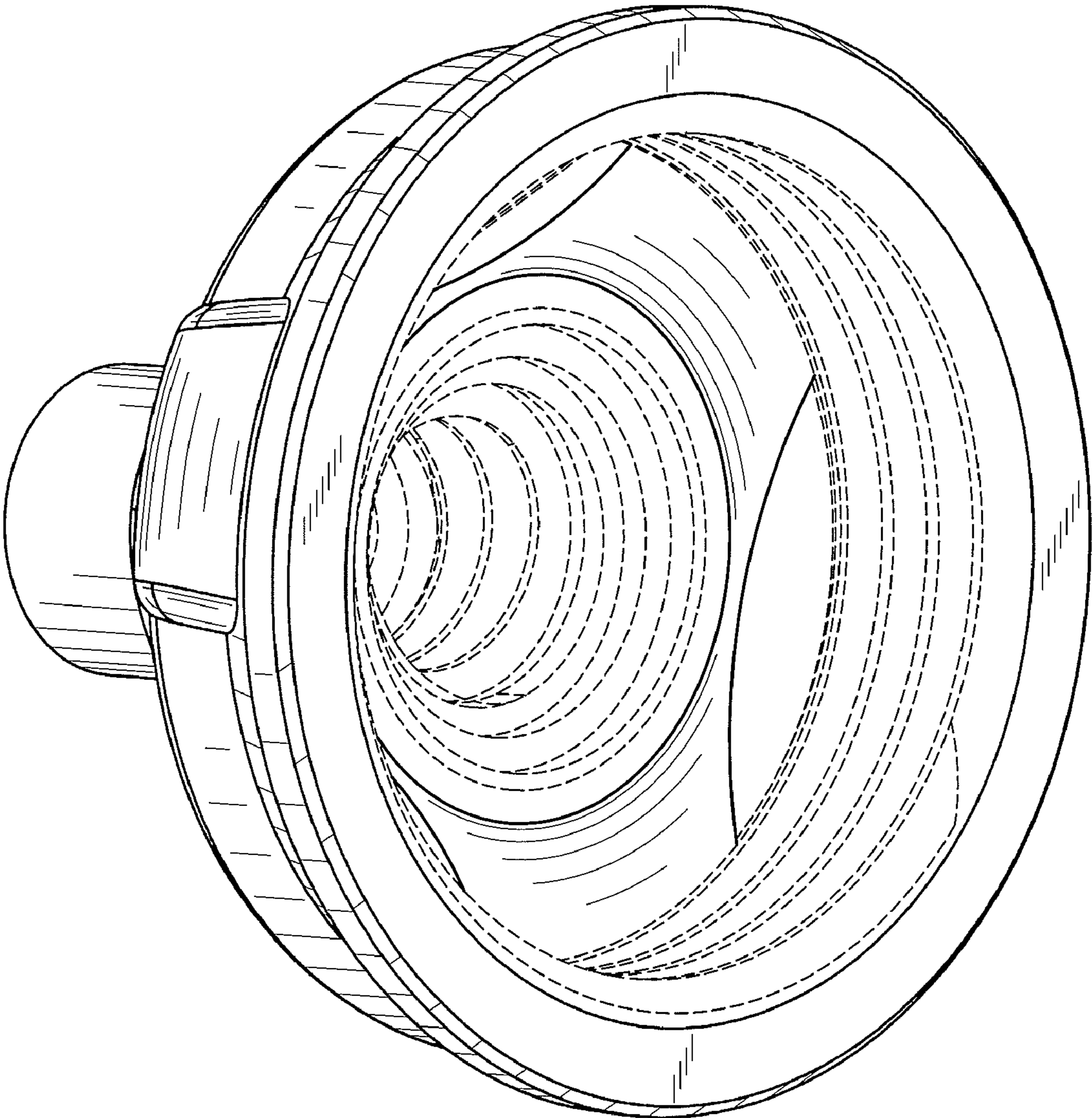


FIG. 2

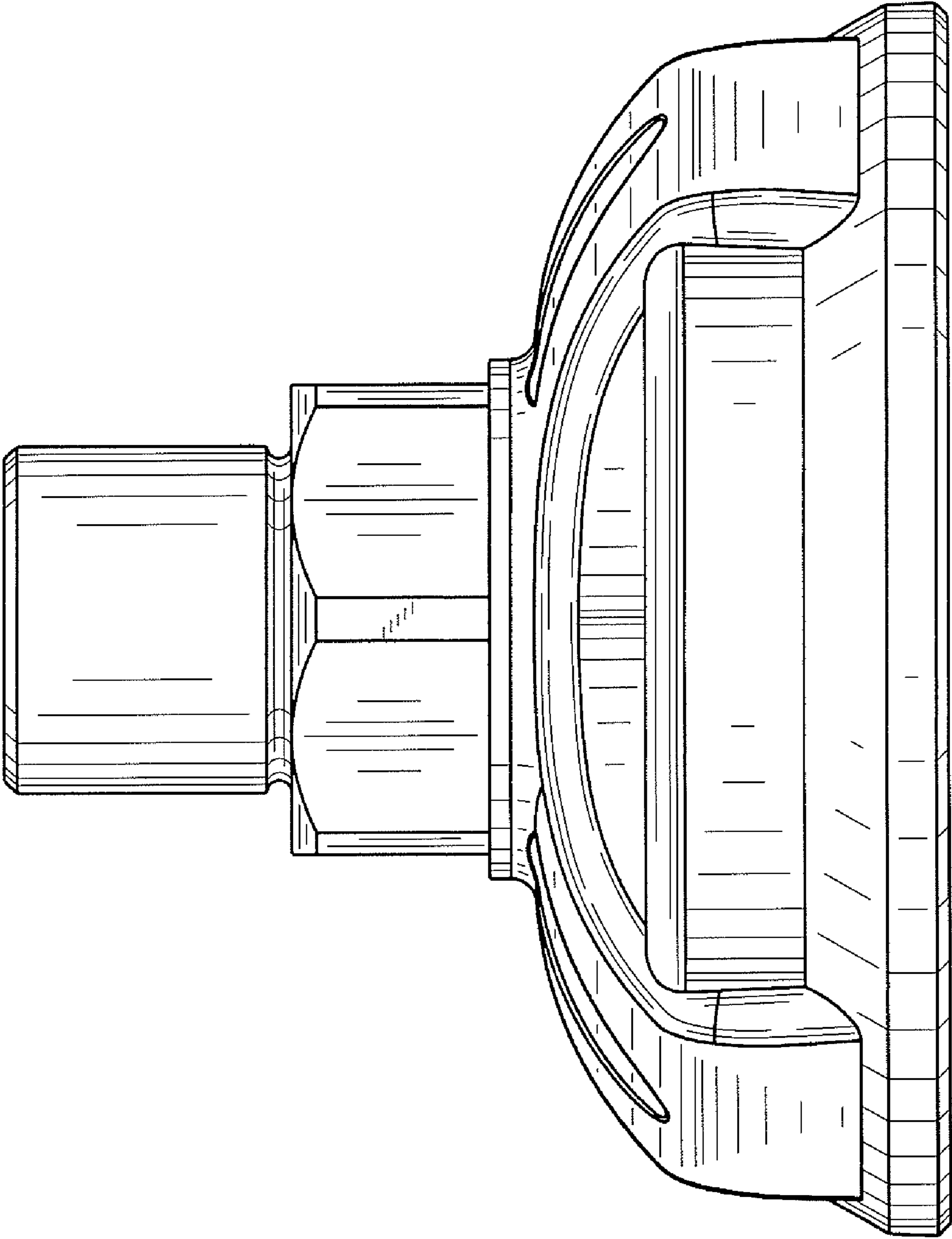


FIG. 3

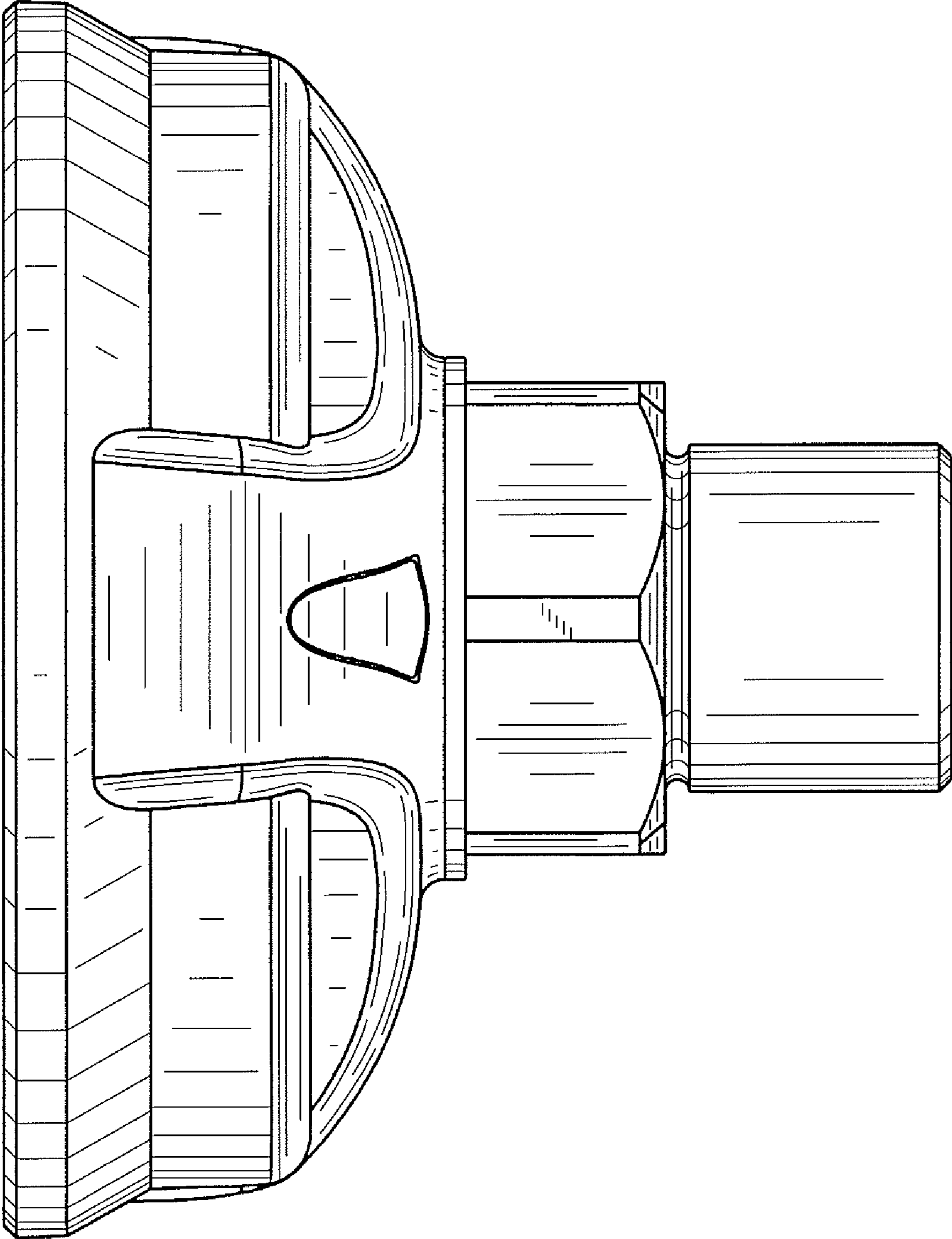


FIG. 4

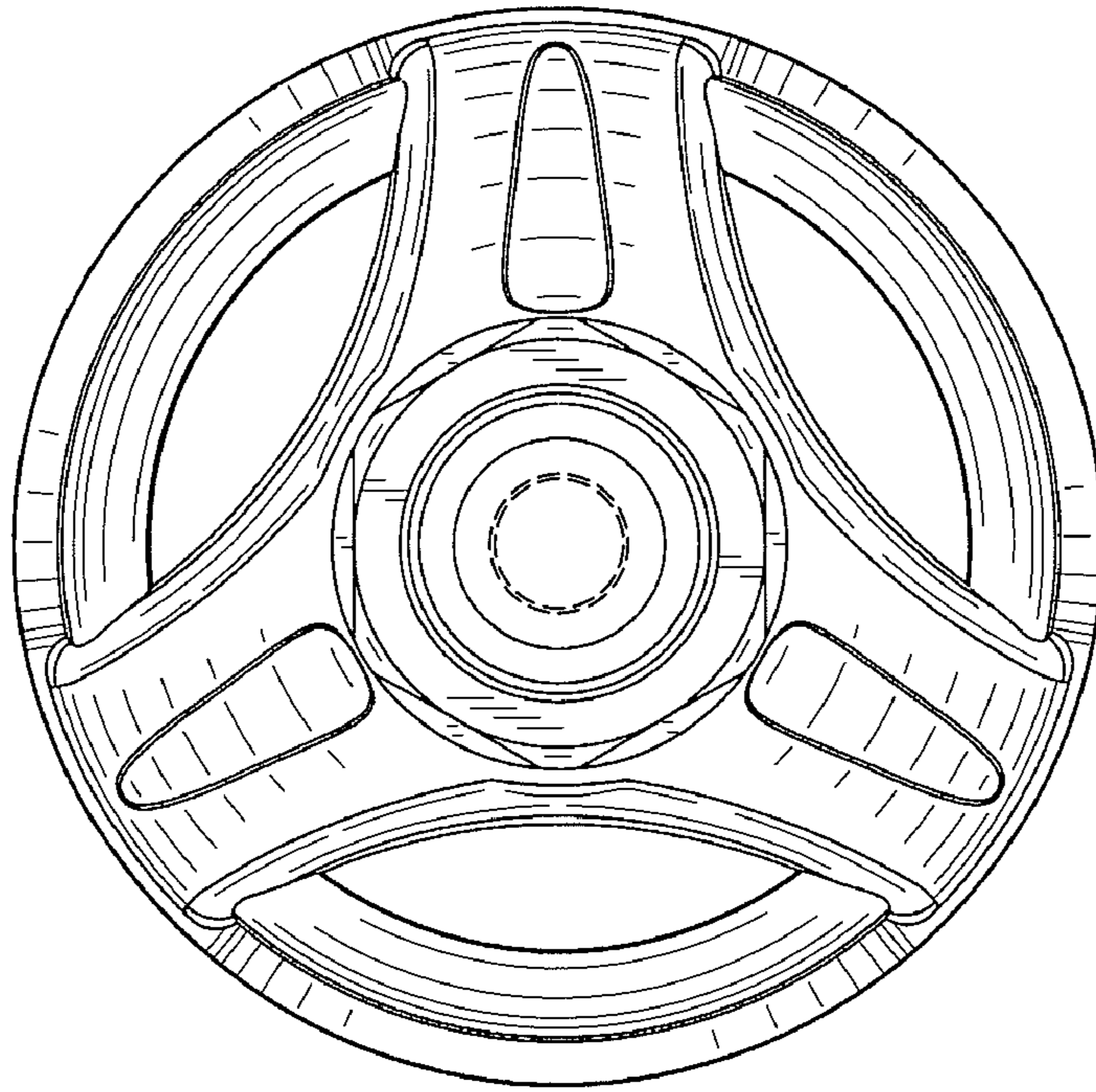


FIG. 5

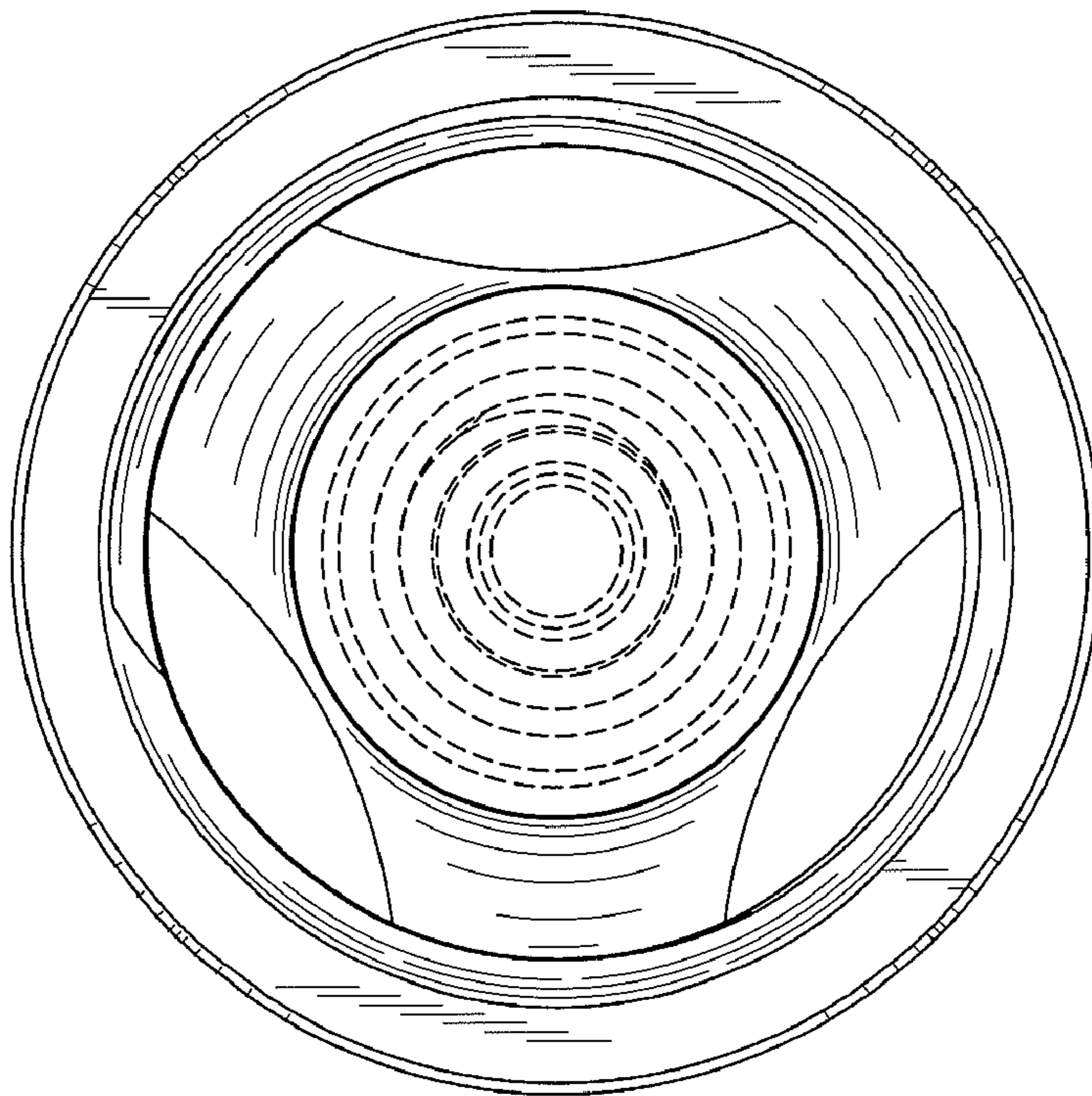


FIG. 6