



US00D630305S

(12) **United States Design Patent**
Adams et al.

(10) **Patent No.:** **US D630,305 S**
(45) **Date of Patent:** **** Jan. 4, 2011**

(54) **FITTING**

(75) Inventors: **Samuel P. Adams**, Jackson, TN (US);
Robert P. Scifres, Brownsville, TN
(US); **Joseph W. Ghering**, Jackson, TN
(US); **David A. McAllister**, Lakeland,
TN (US); **John C. McDonald**,
Germantown, TN (US)

(73) Assignee: **Lasco Fittings, Inc.**, Brownsville, TN
(US)

(**) Term: **14 Years**

(21) Appl. No.: **29/331,855**

(22) Filed: **Feb. 3, 2009**

(51) **LOC (9) Cl.** **23-01**
(52) **U.S. Cl.** **D23/259**
(58) **Field of Classification Search** D23/259-262;
D8/387, 397; 4/286-287; 114/197; 138/89,
138/91, 158; 217/110; 220/288; 222/552,
222/554, 546, 563; 285/139.1, 148.18, 148.23,
285/242, 251, 256, 353, 423, 921; 174/665,
174/68.1, 68.3; 52/220.7
See application file for complete search history.

(56) **References Cited**

U.S. PATENT DOCUMENTS

D163,487 S * 5/1951 Schustack D23/263
2,759,766 A * 8/1956 Thomas 239/558
3,999,785 A * 12/1976 Blakeley 285/111
4,602,504 A * 7/1986 Barber 73/49.8
4,834,667 A 5/1989 Fowler et al.
5,076,095 A * 12/1991 Erhardt 73/49.8
5,215,336 A 6/1993 Worthing
5,496,189 A 3/1996 Over et al.
D387,126 S * 12/1997 Hayden D23/213
D389,562 S * 1/1998 Picton D23/263
D440,638 S * 4/2001 Lefroy-Brooks D23/255
D454,940 S * 3/2002 Hoenig D23/259

6,557,900 B1 5/2003 Austin
D481,110 S * 10/2003 Snyder et al. D23/263
D516,686 S * 3/2006 Wilk et al. D23/262
D517,176 S * 3/2006 Wilk et al. D23/262
7,055,865 B2 * 6/2006 Riordan et al. 285/133.21
7,156,424 B2 1/2007 McCord
7,281,411 B2 * 10/2007 Brewer 73/49.1
D582,457 S * 12/2008 Davies et al. D15/199
D599,446 S * 9/2009 Price et al. D23/262
D614,737 S * 4/2010 Lass D23/262
D615,630 S * 5/2010 Price et al. D23/263
D615,631 S * 5/2010 Price et al. D23/263
2005/0001425 A1 * 1/2005 deCler et al. 285/305

OTHER PUBLICATIONS

Lasco Fittings, Inc. Schedule 80 PVC List Prices, Effective Dec. 6,
2004.

* cited by examiner

Primary Examiner—Celia A Murphy
Assistant Examiner—John Windmuller

(74) *Attorney, Agent, or Firm*—Calfee, Halter & Griswold
LLP

(57) **CLAIM**

We claim the ornamental design for a fitting, as shown and
described.

DESCRIPTION

FIG. 1 is a front right top view of a fitting showing our new
design;

FIG. 2 is a front view thereof;

FIG. 3 is a right side view thereof;

FIG. 4 is a left side view thereof;

FIG. 5 is a rear view thereof;

FIG. 6 is a top view thereof; and,

FIG. 7 is a bottom view thereof.

1 Claim, 7 Drawing Sheets

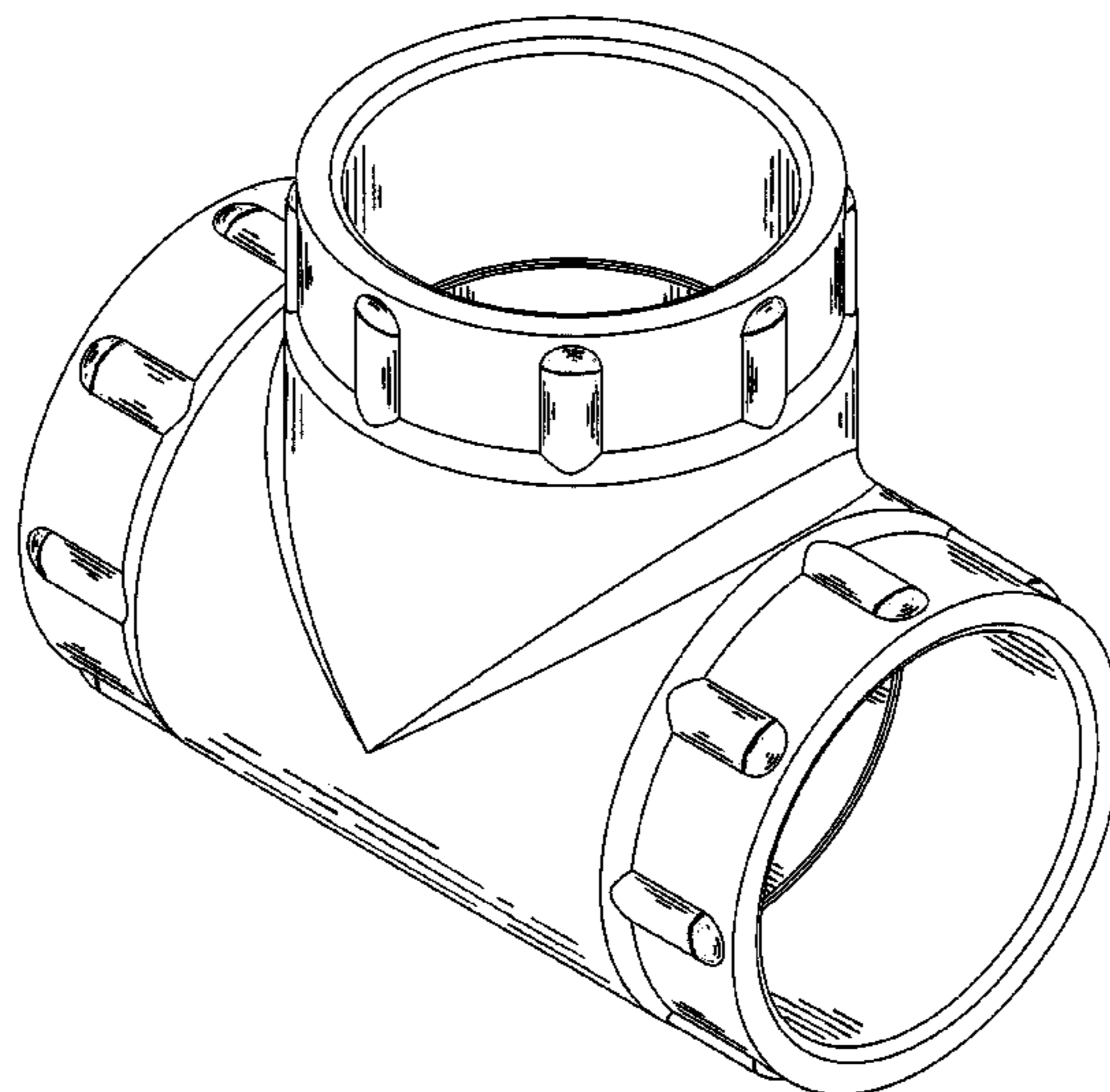


Fig. 1

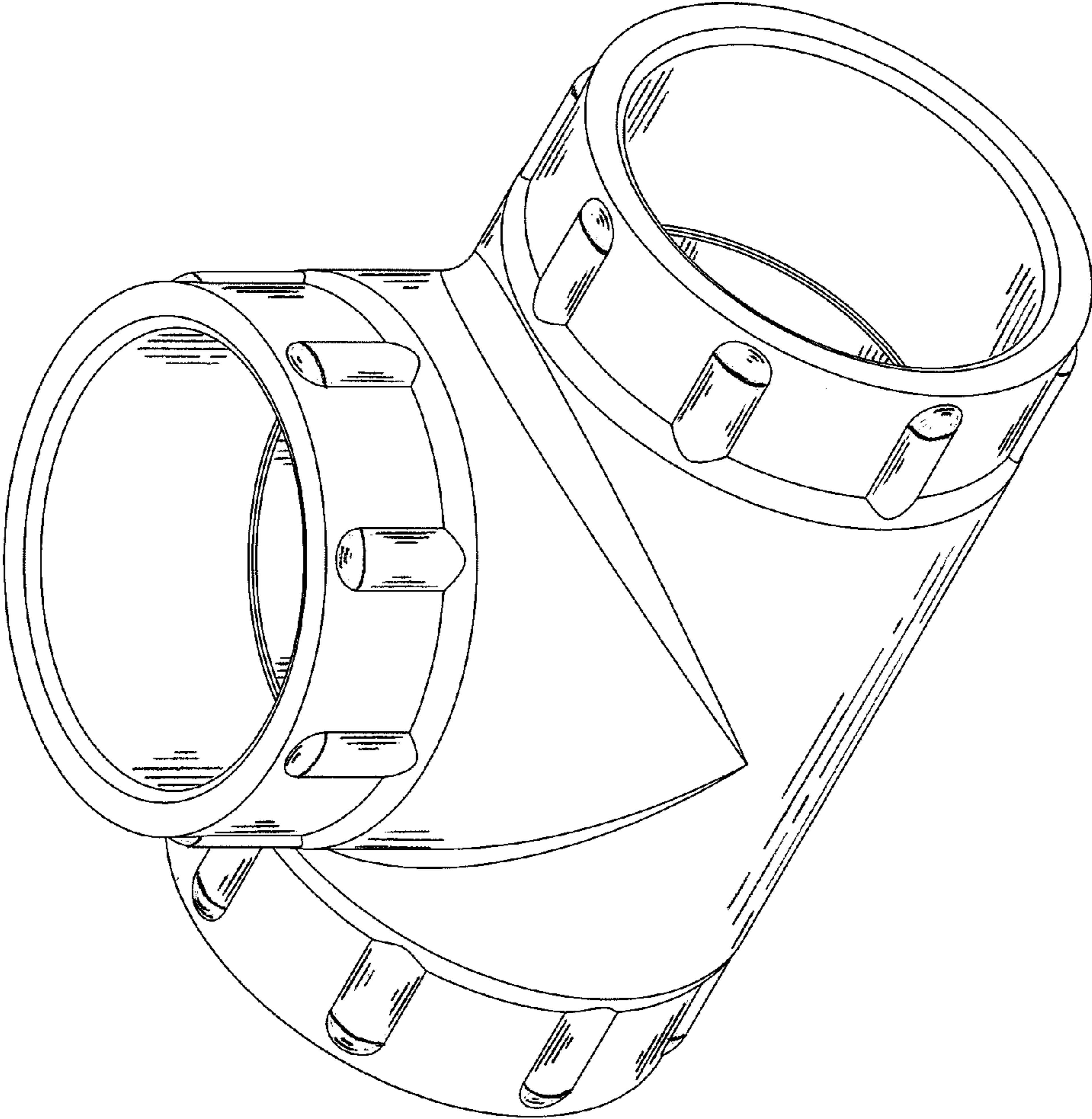


Fig. 2

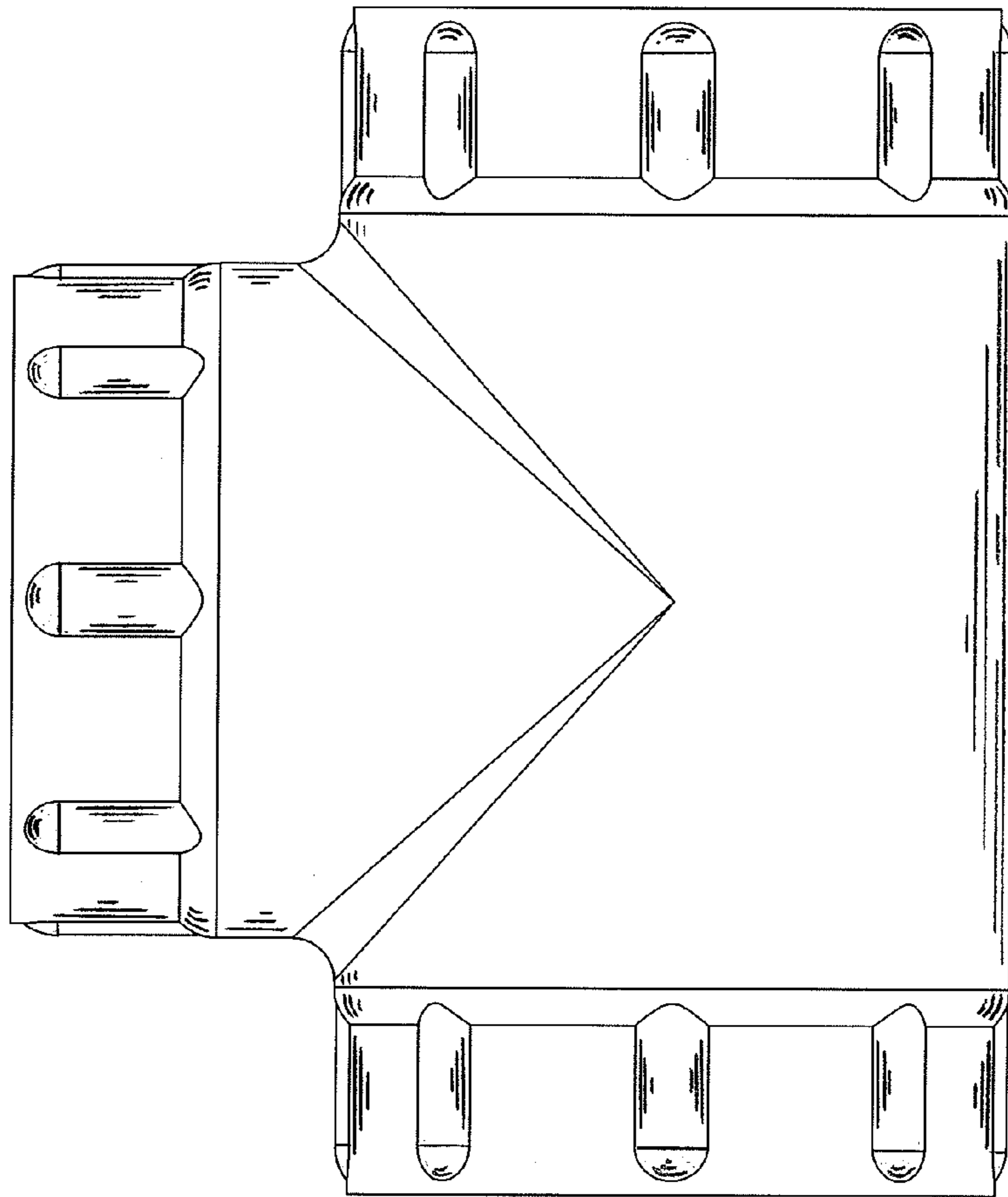


Fig. 3

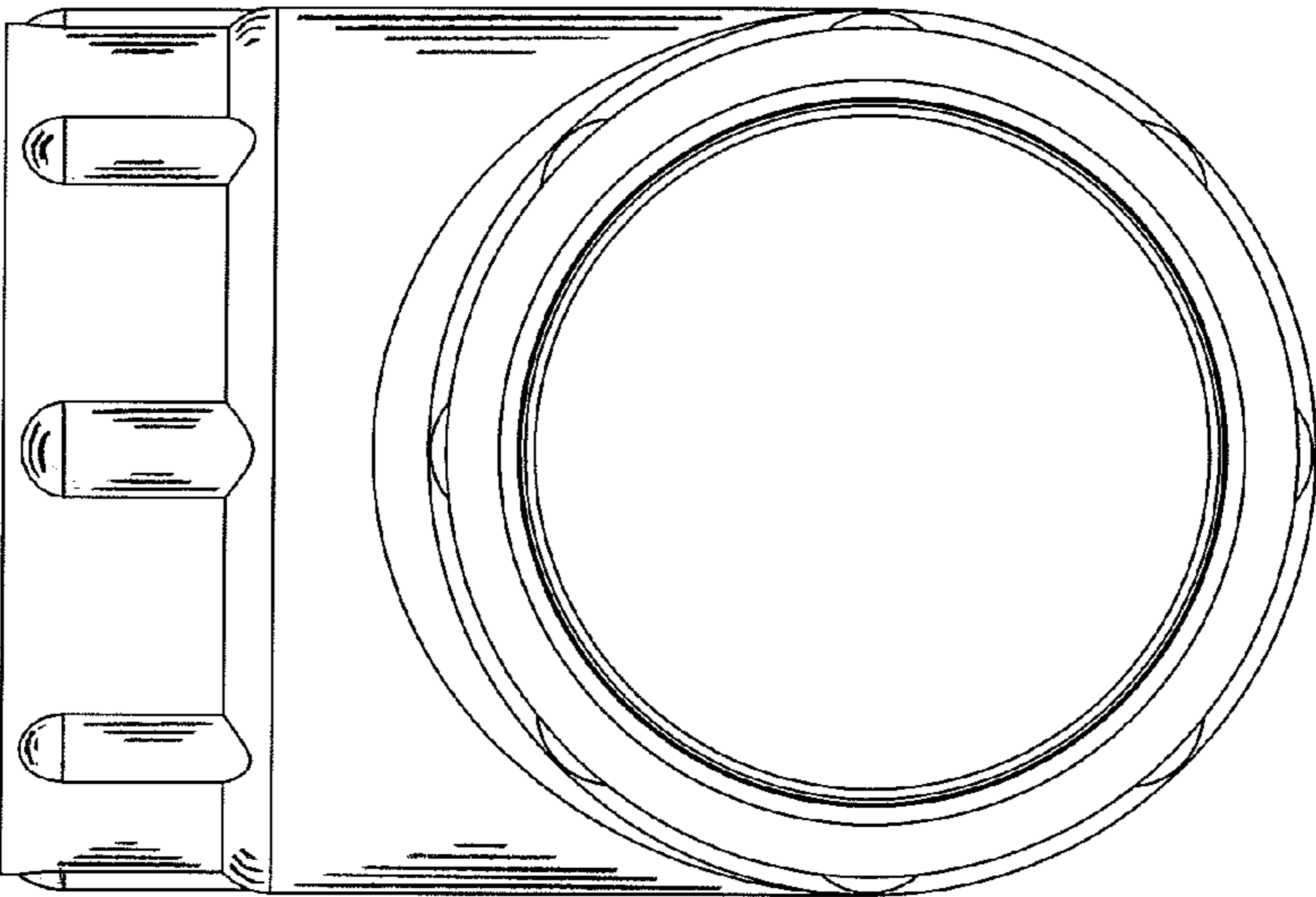


Fig. 4

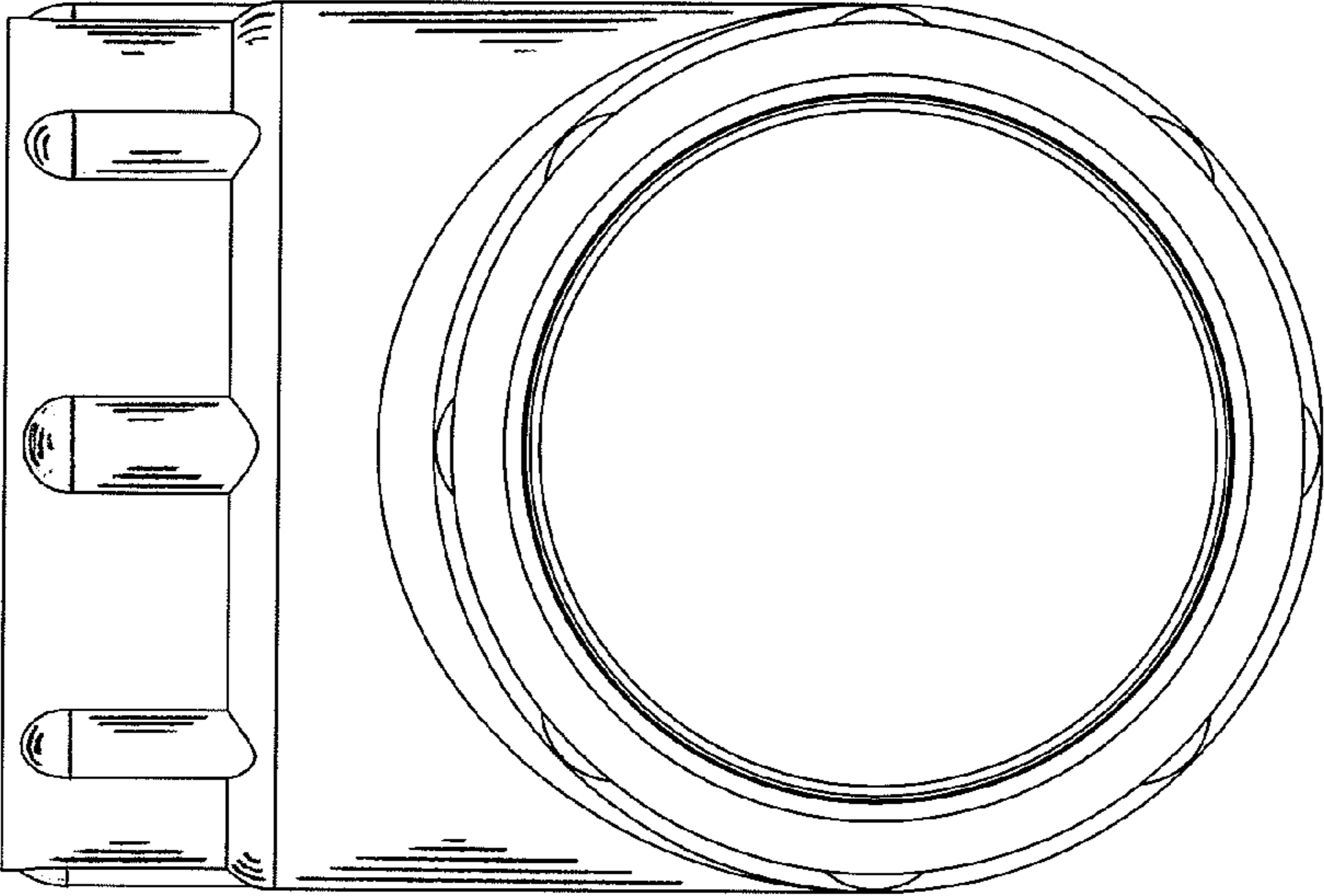


Fig. 5

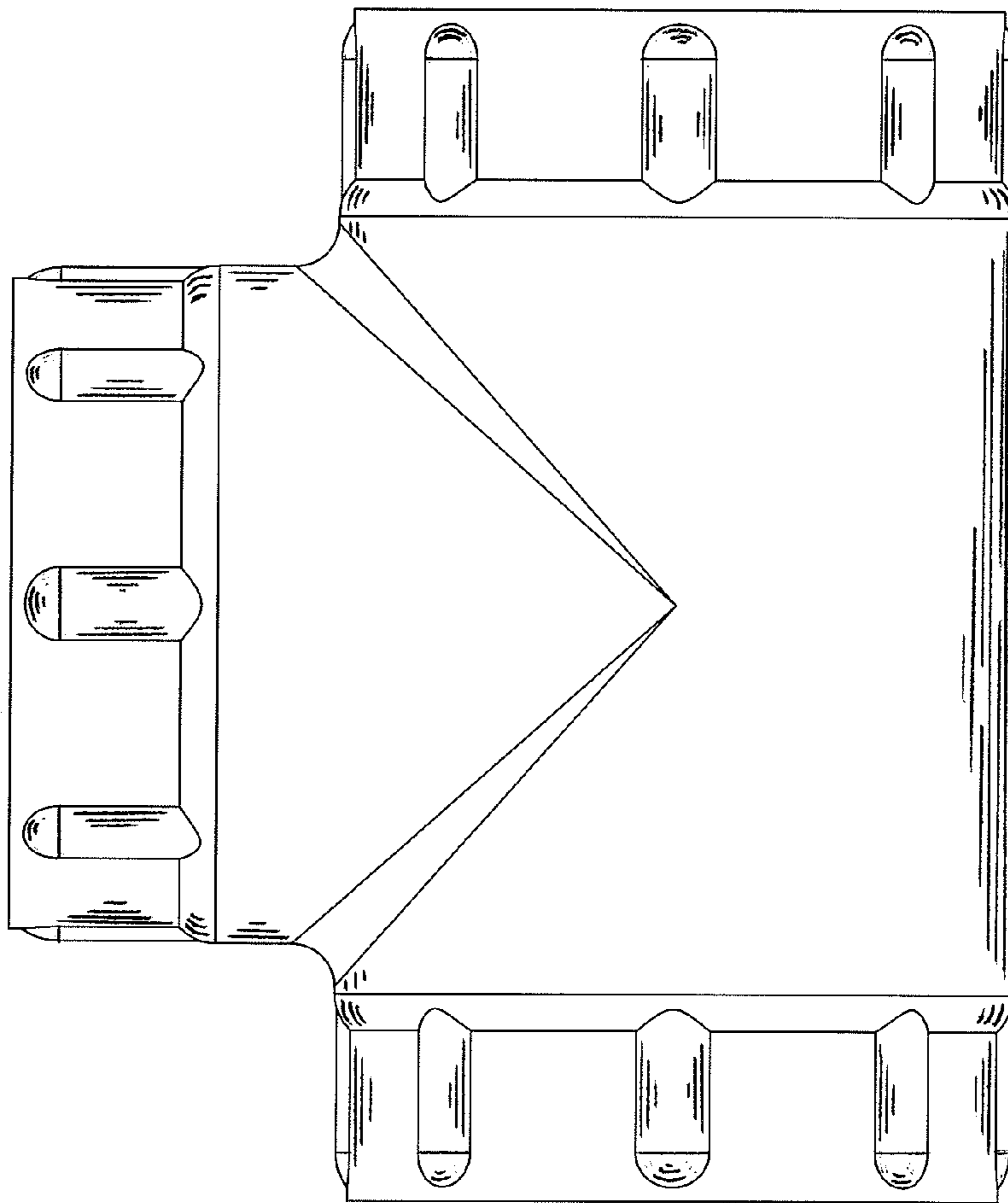


Fig. 6

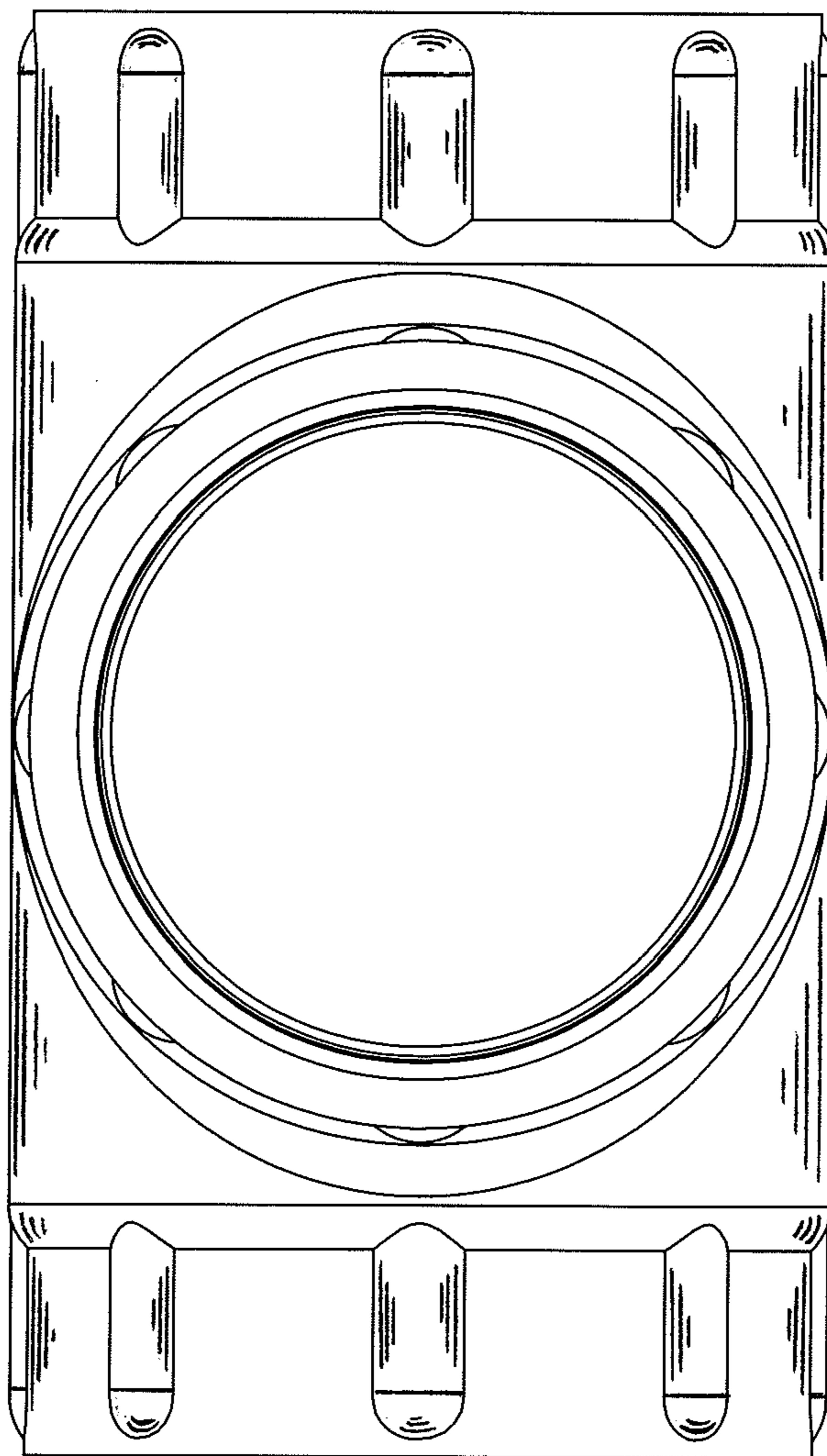


Fig. 7

