



US00D630304S

(12) **United States Design Patent**
Sandee et al.

(10) **Patent No.:** **US D630,304 S**
(45) **Date of Patent:** **** Jan. 4, 2011**

(54) **SPOUT**

D615,162 S 5/2010 Pan

(75) Inventors: **Coralee S. Sandee**, Sheboygan, WI (US); **Howard M. Montgomery**, Skokie, IL (US); **Herbert V. Kohler, Jr.**, Kohler, WI (US)

(73) Assignee: **Kohler Co.**, Kohler, WI (US)

(**) Term: **14 Years**

(21) Appl. No.: **29/366,460**

(22) Filed: **Jul. 26, 2010**

Related U.S. Application Data

(62) Division of application No. 29/346,309, filed on Oct. 29, 2009.

(51) **LOC (9) Cl.** **23-01**

(52) **U.S. Cl.** **D23/255**

(58) **Field of Classification Search** D23/238–243,
D23/255–257; 4/676–678; 137/801
See application file for complete search history.

(56) **References Cited**

U.S. PATENT DOCUMENTS

D290,869 S	7/1987	Paul	
D316,591 S	4/1991	Ragonot	
D478,966 S	8/2003	Citterio	
D503,217 S *	3/2005	Aubry et al. D23/255
D512,484 S	12/2005	Paini	
D522,092 S *	5/2006	Hoernig D23/238
D557,383 S *	12/2007	Garner D23/255
D568,967 S	5/2008	Williams et al.	
D573,231 S	7/2008	Kulig	
D579,521 S	10/2008	Kulig	
D583,905 S	12/2008	Oh	
D596,711 S	7/2009	Sieger	
D602,121 S	10/2009	Yabe et al.	
D605,256 S	12/2009	Flowers et al.	
D611,575 S *	3/2010	Schoenherr et al. D23/257

OTHER PUBLICATIONS

Hastings Bath Collection. “Riviera 3 Hole Basin Set—Ribbon Spout”. Model No. FAN C 4204. HomePortfolio.com online catalog. Copyright 1997-2008 HomePortfolio Inc.

SignatureHardware. “Whittington Collection—Flat Cubic Roman Tub Faucet”. SignatureHardware.com online catalog. Copyright 1999-2008 SignatureHardware.com or its affiliates.

Oversized replica of computer gaming joystick.

WS Bath Collections. “Hydrus 01-02—Basin (deck) Faucet—solid massive stainless steel”. HomePortfolio.com online catalog. Copyright 1997-2008 HomePortfolio Inc.

(Continued)

Primary Examiner—Robert A Delehanty

(74) *Attorney, Agent, or Firm*—Quarles & Brady LLP

(57) **CLAIM**

The ornamental design for a spout, as shown and described.

DESCRIPTION

FIG. 1 is a right, top, front perspective view of a spout according to our new design;

FIG. 2 is a right side elevational view thereof, the left side elevational view thereof being a mirror image of the right side shown;

FIG. 3 is a front elevational view thereof;

FIG. 4 is a rear elevational view thereof;

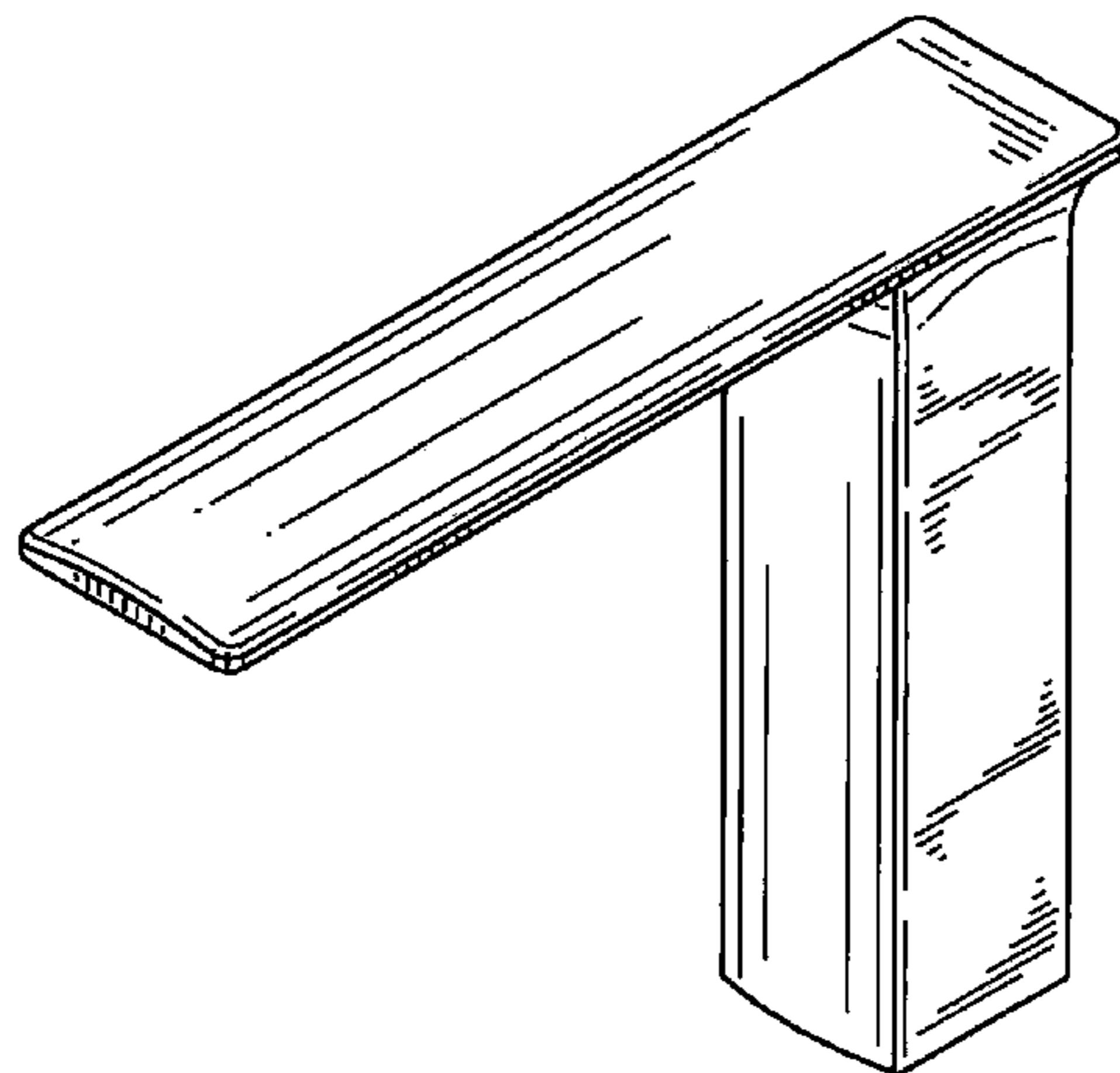
FIG. 5 is a top plan view thereof; and,

FIG. 6 is a bottom plan view thereof.

The broken line representations in the figures are for the purpose of illustration only, and form no part of the claimed design.

In a preferred embodiment, the nature of this product is a plumbing fitting in the form of a spout, such as used with a bathtub for washing.

1 Claim, 2 Drawing Sheets



OTHER PUBLICATIONS

Danze. "Sirius Two Handle Lavatory Faucet". Model No. D301444. HomePortfolio.com online catalog. Copyright 1997-2008 HomePortfolio Inc.

Notice of Allowance for U.S. Appl. No. 29/346,309, dated Jun. 16, 2010.

Zucchetti. "Soft" and "Wosh" faucets.

Kohler Co. "Margaux® single-control lavatory faucet". Model No. K-16230-4. Kohler Co. online catalog. Copyright 2008.

Hansgrohe. "Hansgrohe Freestanding Tub Filler." Model No. 39451001. eFaucets.com online catalog. Copyright 2003-2008 elmprovement.com.

Colourwash.co.uk. "Tango Taps". Colourwash.co.uk catalog.

Toto. "Soiree Single-Handle Lavatory Faucet". Model No. TL960SD. FixtureUniverse.com online catalog. Copyright 1999-2008 Allied Trade Group, Inc.

Dornbracht. "LOT" Series. Dornbracht catalog.

Notice of Allowance for U.S. Appl. No. 29/346,309, under mailing date Jun. 16, 2010.

* cited by examiner

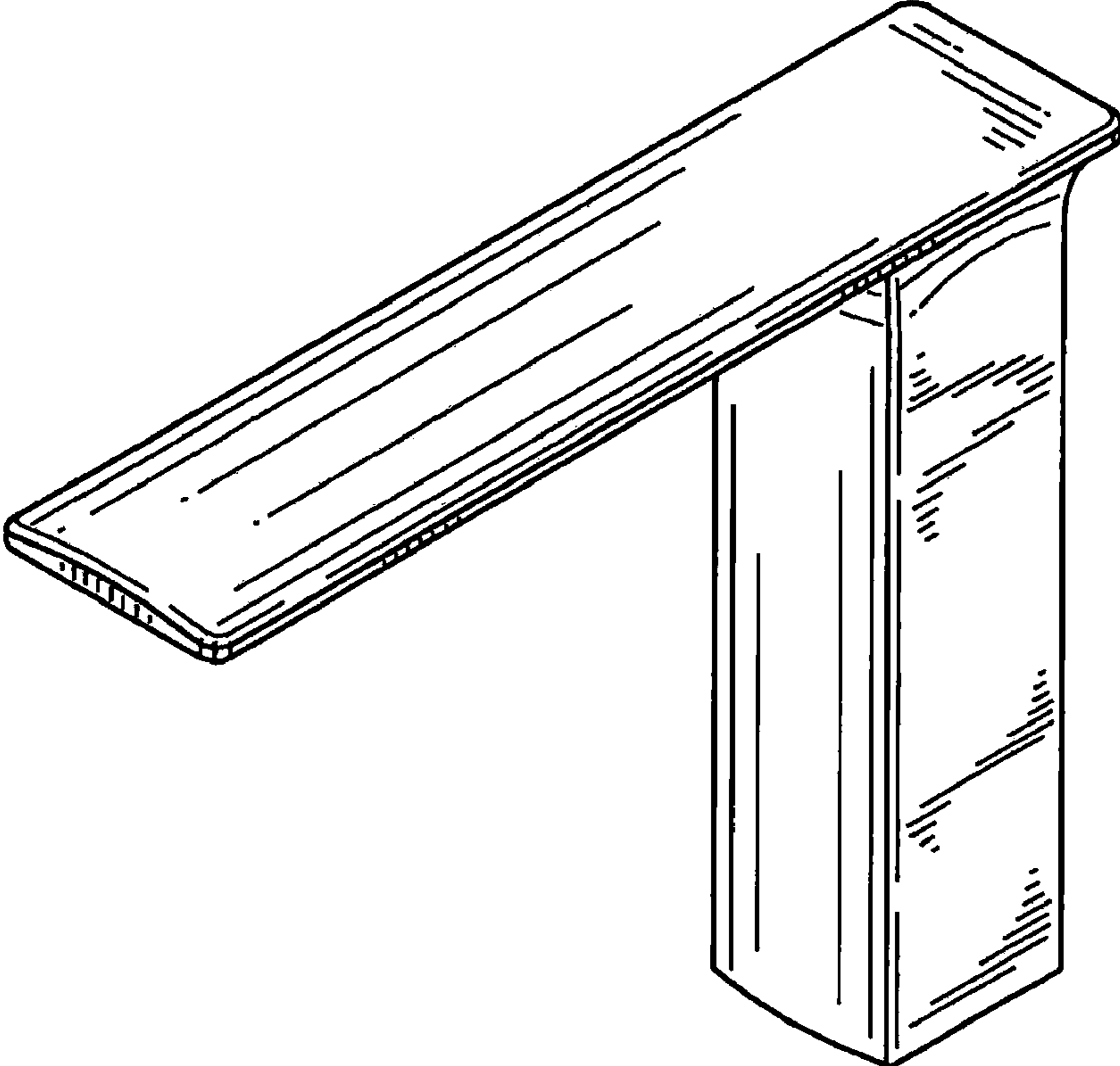


FIG. 1

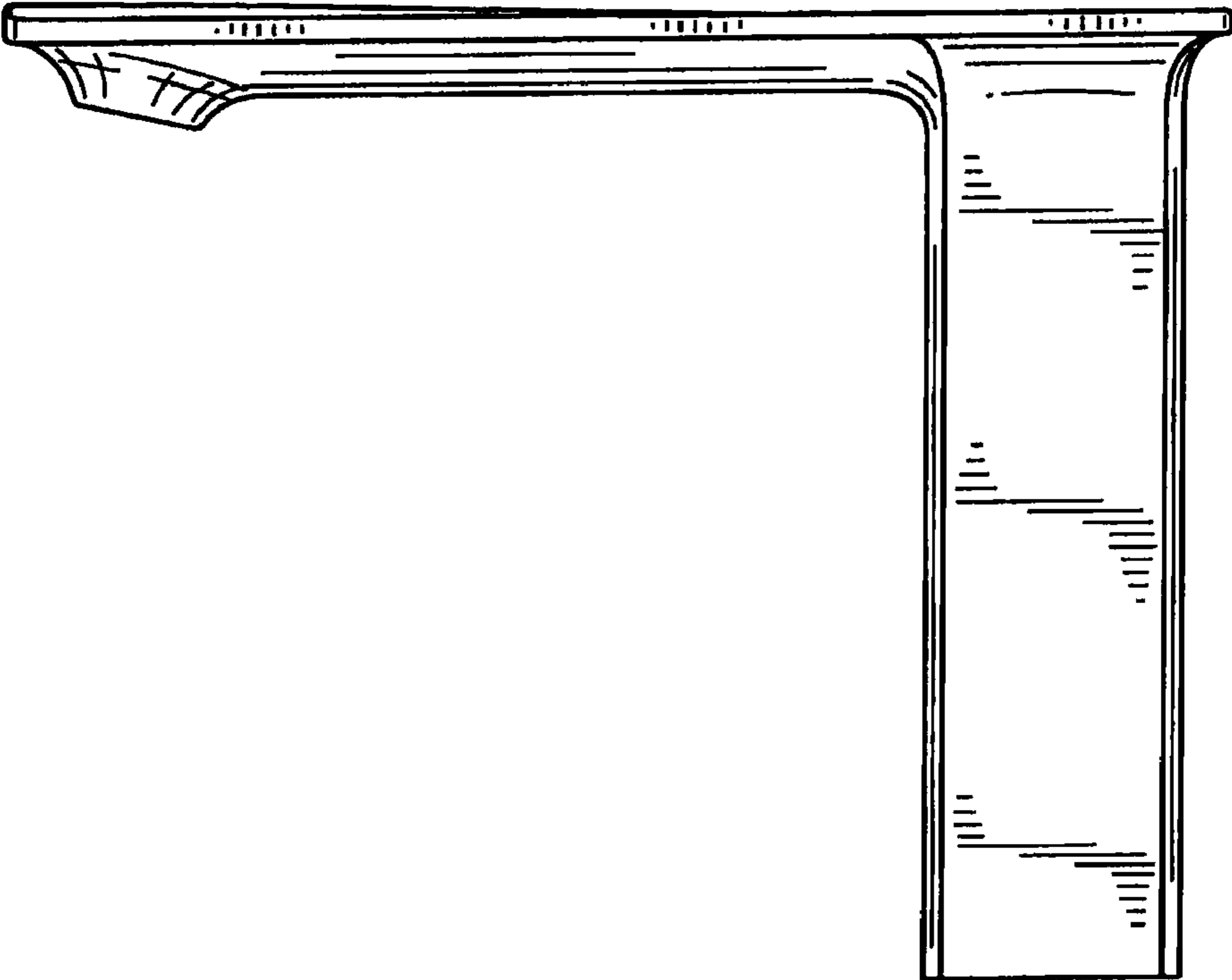


FIG. 2

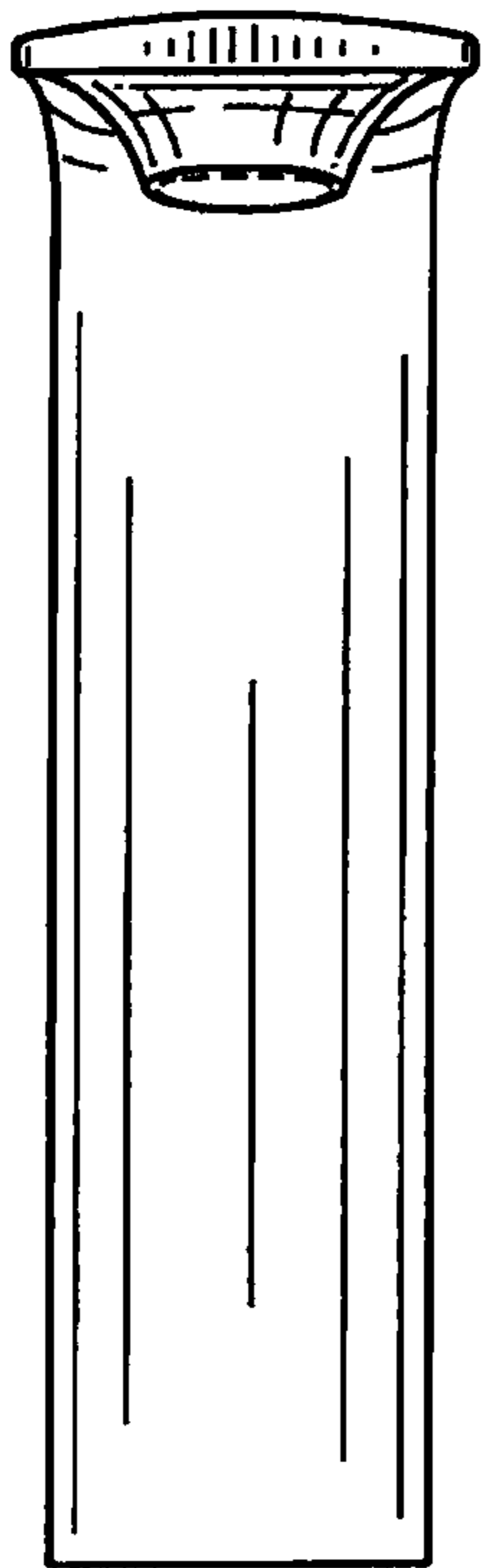


FIG. 3

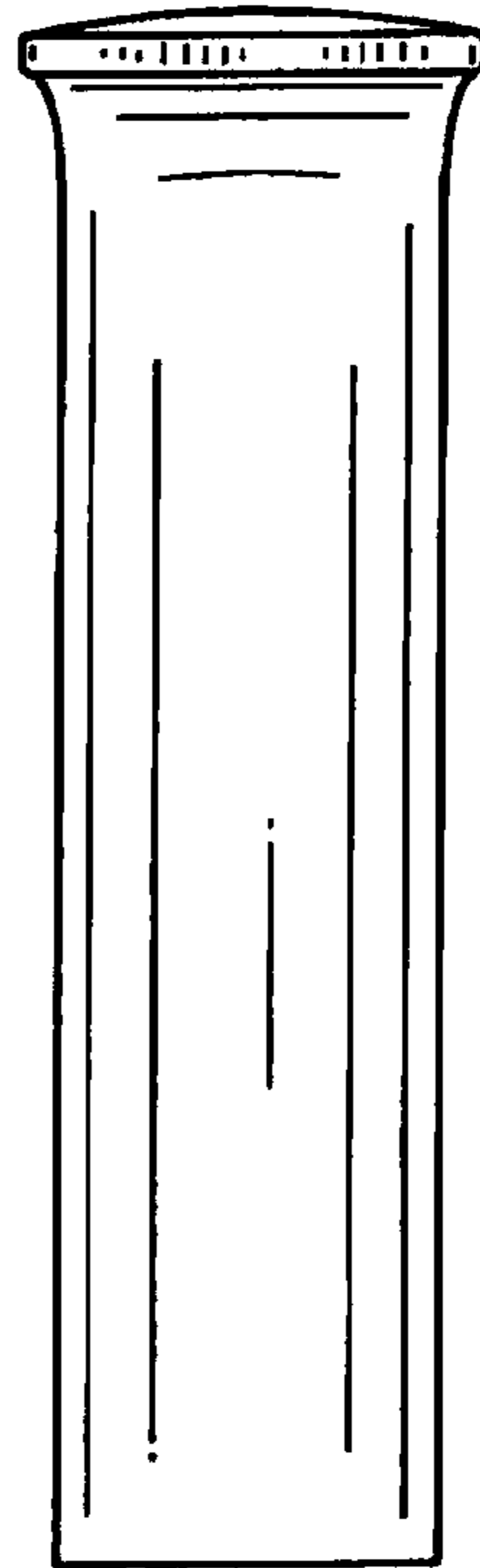


FIG. 4

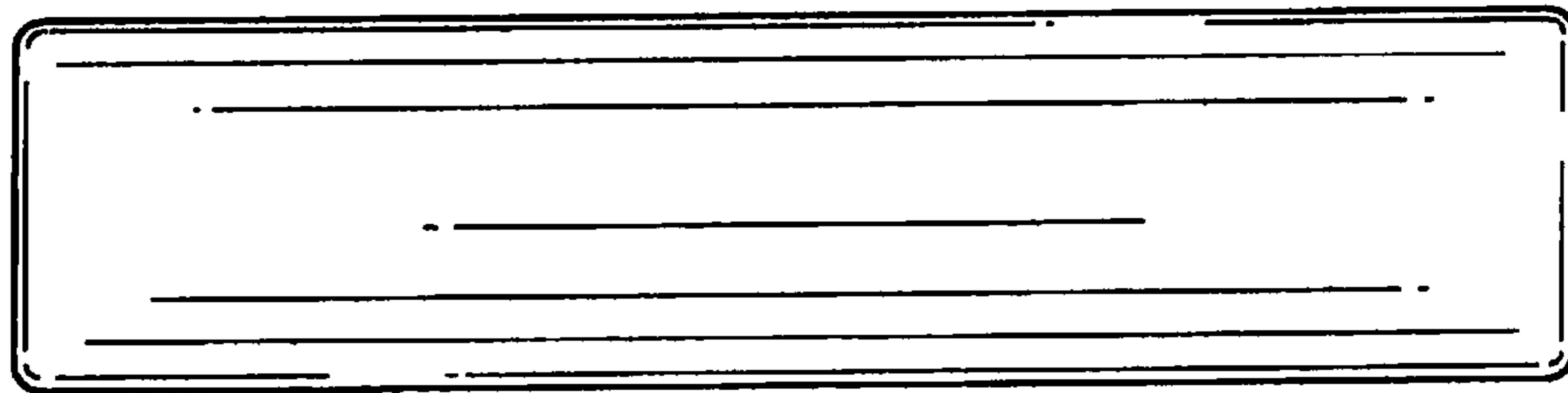


FIG. 5

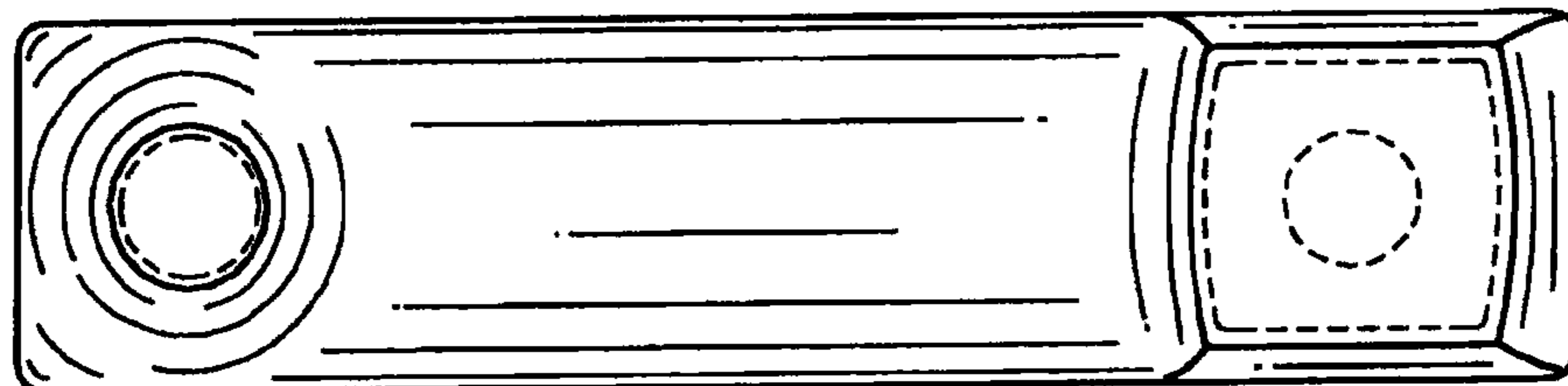


FIG. 6