

US00D630303S

(12) **United States Design Patent**
Romero

(10) **Patent No.:** **US D630,303 S**
(45) **Date of Patent:** **** Jan. 4, 2011**

(54) **FAUCET HANDLE**

D529,141 S * 9/2006 Green D23/252

(75) Inventor: **Emilie Williams Romero**, Chicago, IL
(US)

* cited by examiner

(73) Assignee: **Masco Corporation of Indiana**,
Indianapolis, IN (US)

Primary Examiner—Robert A Delehanty
(74) *Attorney, Agent, or Firm*—Edgar A. Zarins; Nirav D.
Parikh

(**) Term: **14 Years**

(57) **CLAIM**

(21) Appl. No.: **29/355,576**

The ornamental design for a faucet handle, as shown and described.

(22) Filed: **Feb. 10, 2010**

DESCRIPTION

(51) **LOC (9) Cl.** **23-01**

(52) **U.S. Cl.** **D23/252**

(58) **Field of Classification Search** D23/250,
D23/252, 254, 238–243, 253; 4/676–678;
138/801

FIG. 1 is a perspective view of a faucet handle showing my new design;

FIG. 2 is a top plan view thereof;

FIG. 3 is a right side view thereof, the opposite side being a mirror image of the side shown;

FIG. 4 is a front elevational view thereof; and,

FIG. 5 is a rear view thereof.

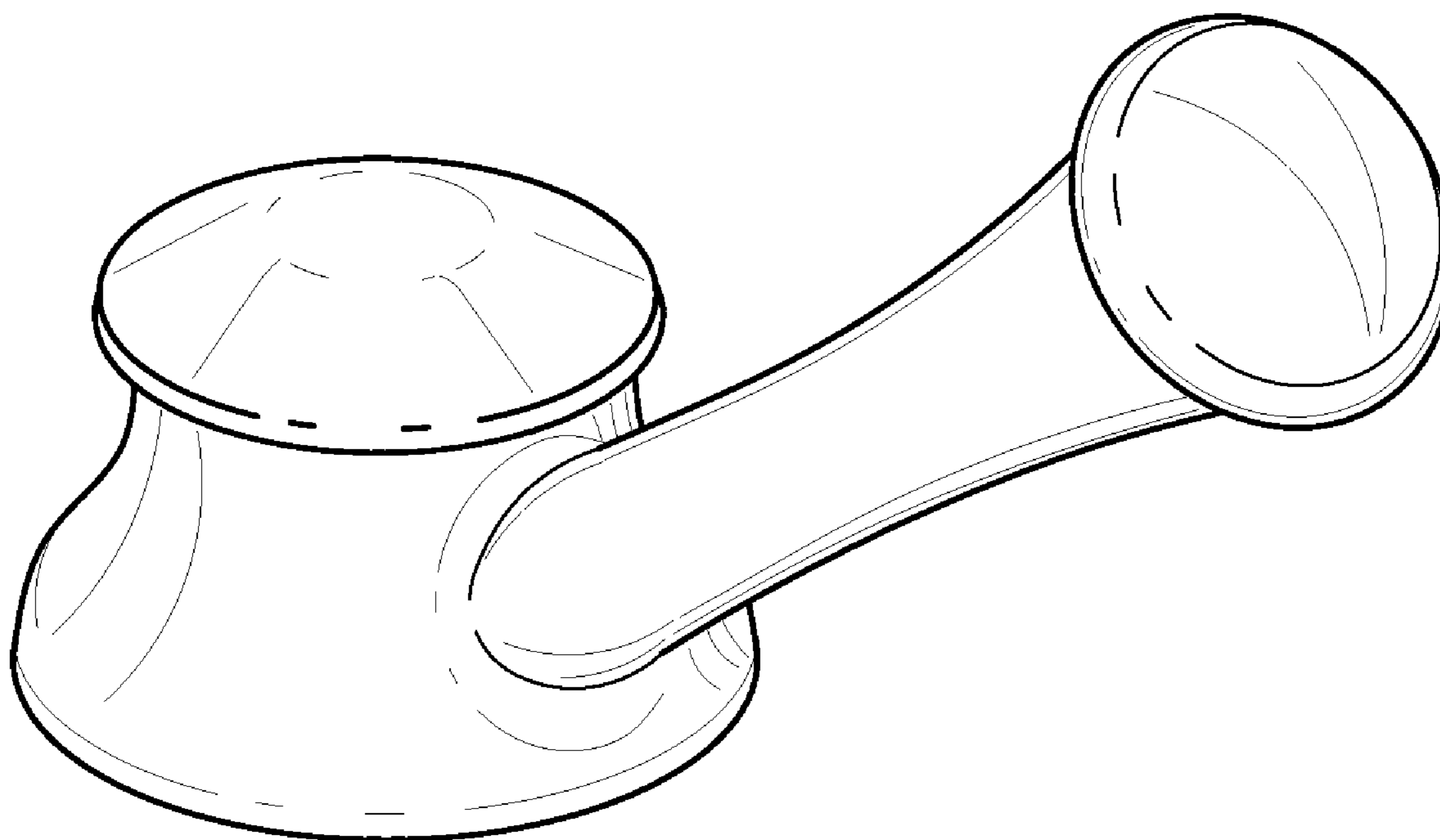
See application file for complete search history.

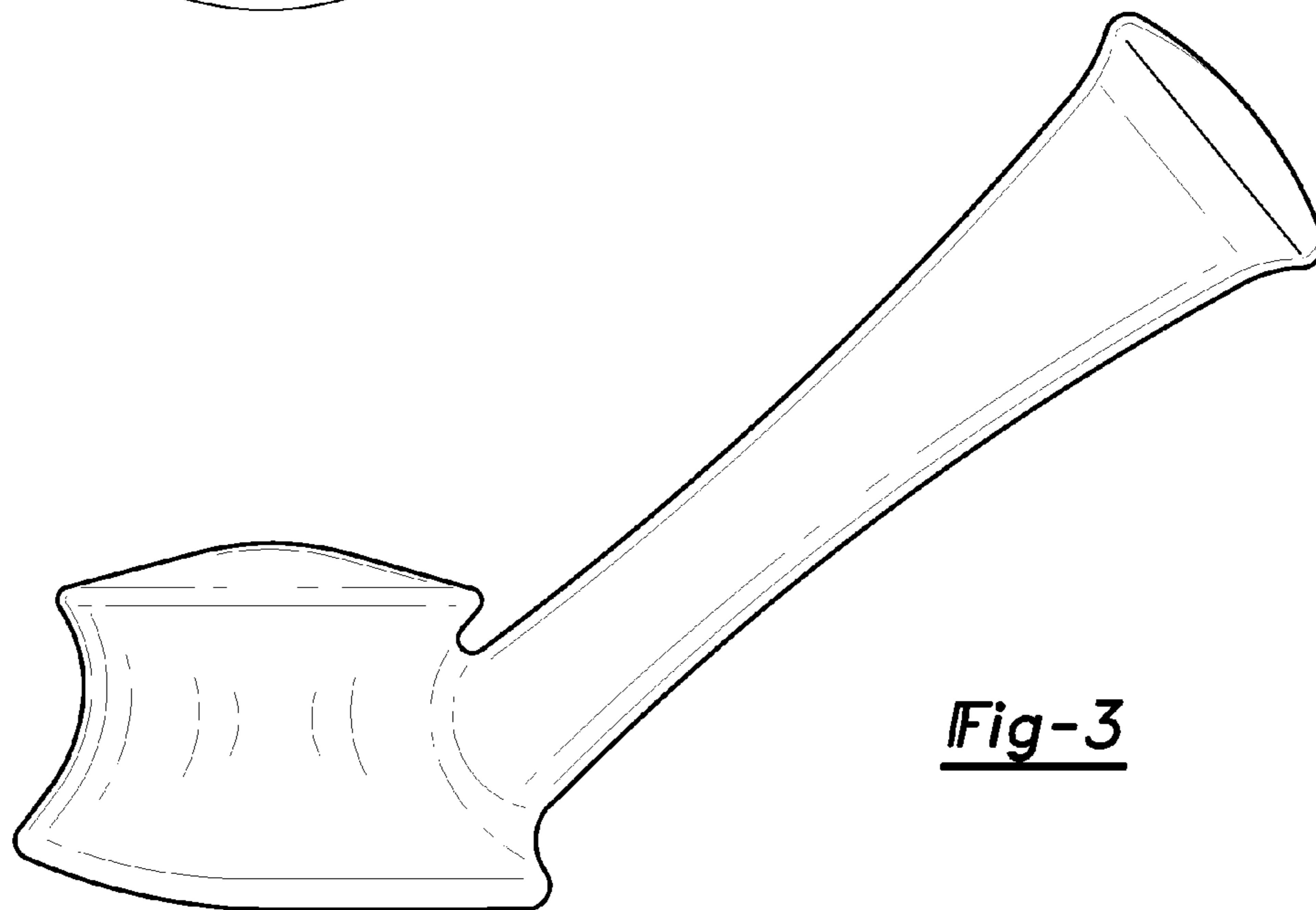
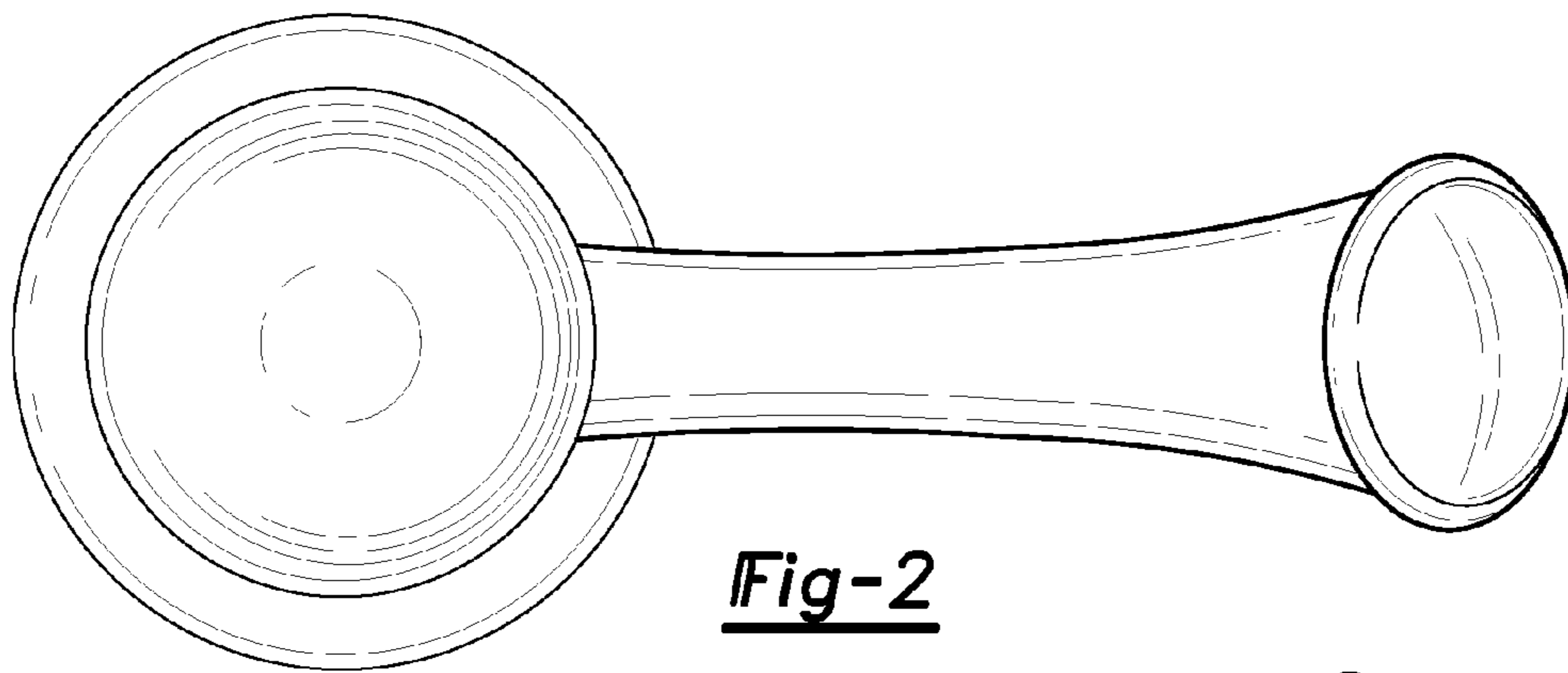
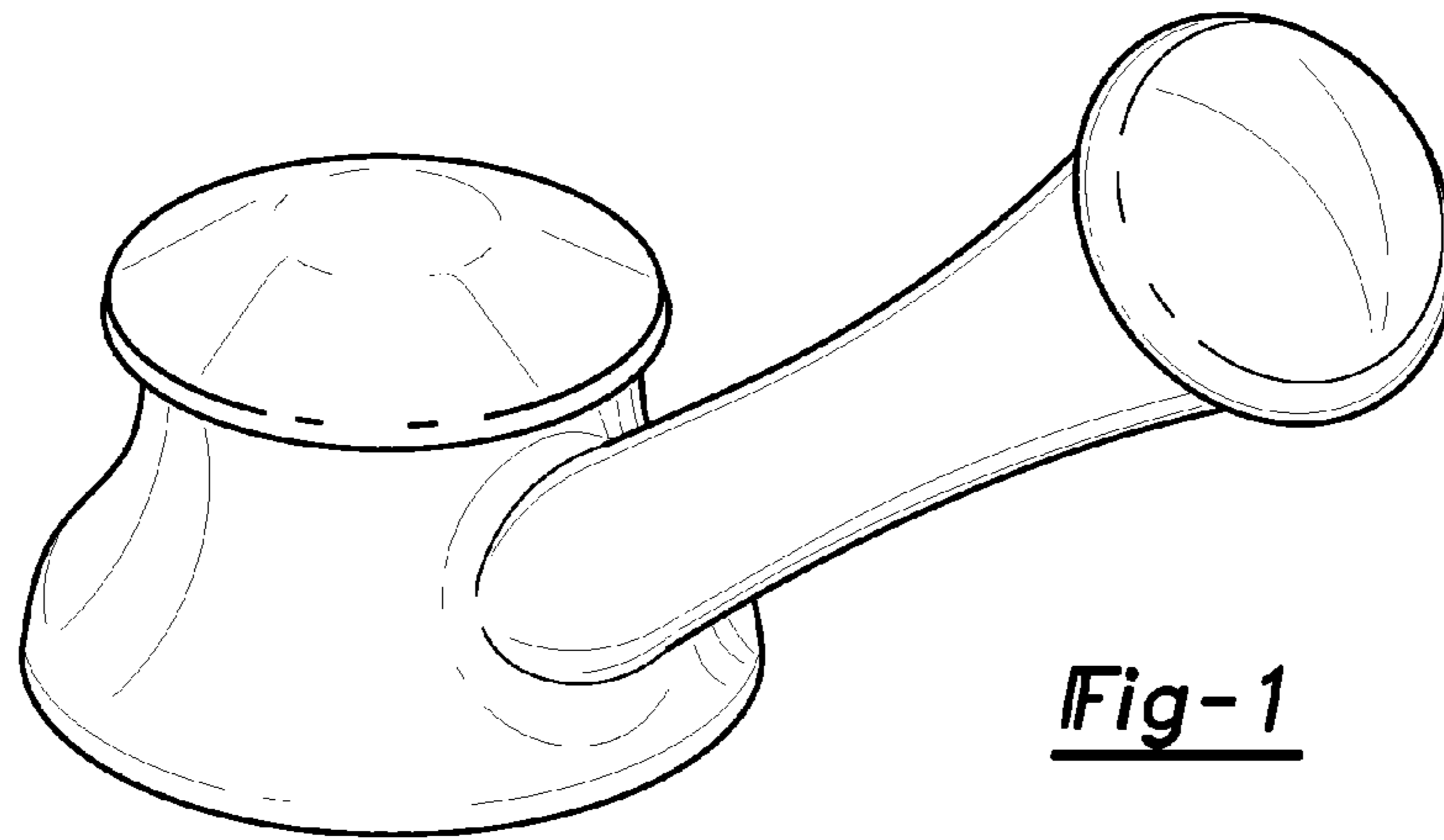
(56) **References Cited**

U.S. PATENT DOCUMENTS

D523,533 S * 6/2006 Schaffeld et al. D23/252

1 Claim, 2 Drawing Sheets





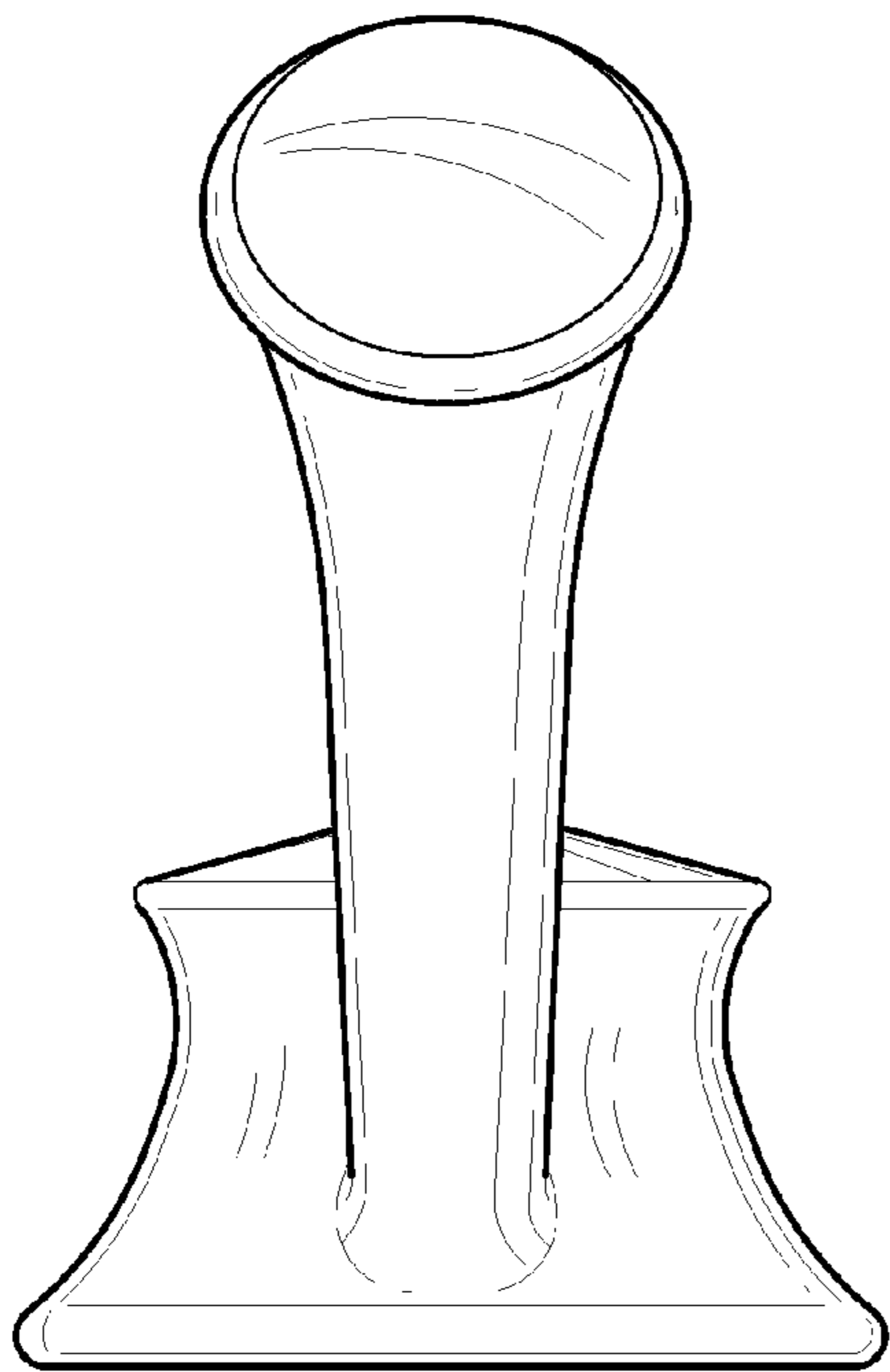


Fig-4

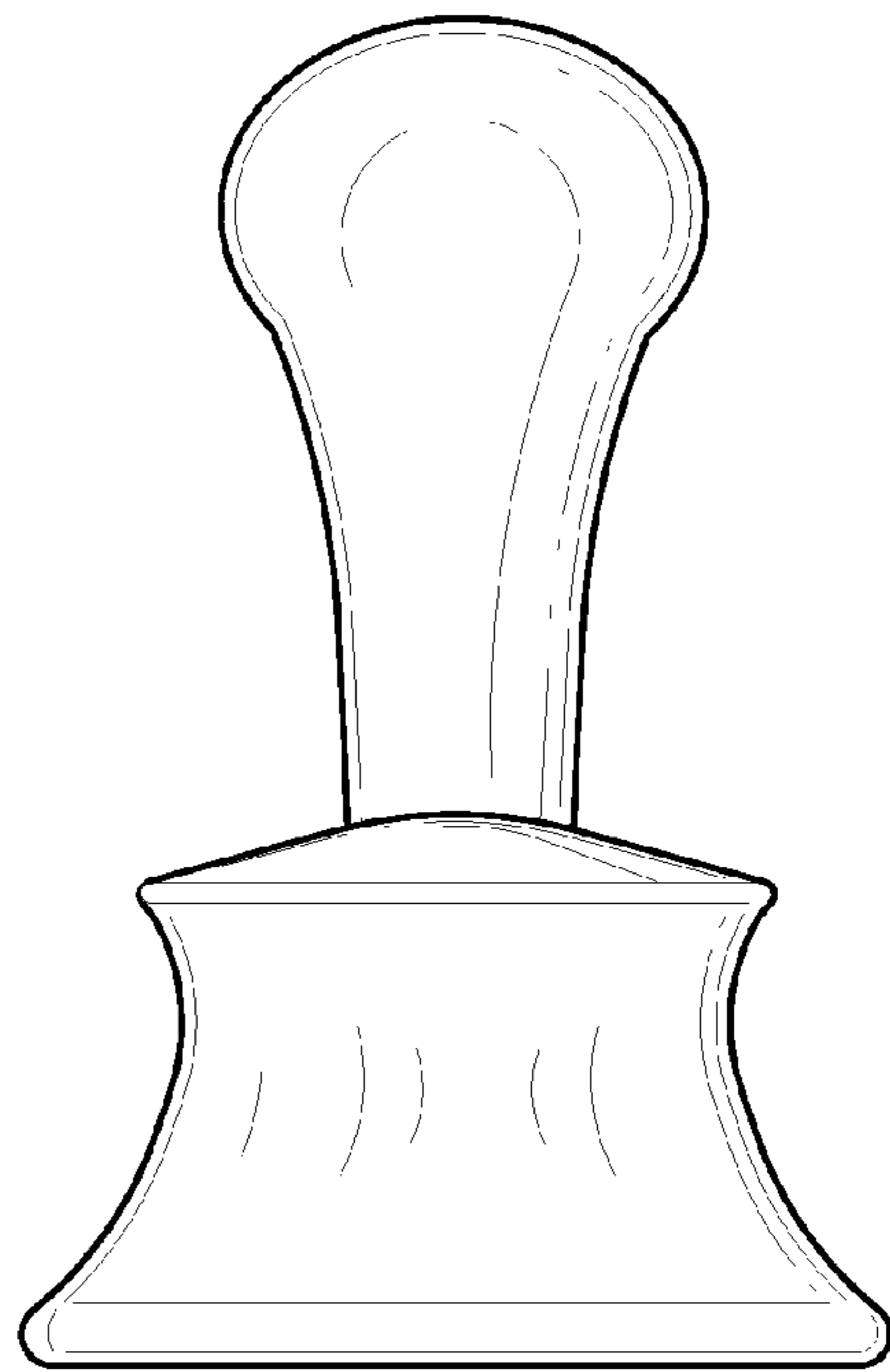


Fig-5