



US00D630300S

(12) **United States Design Patent**  
**Parker**

(10) **Patent No.:** **US D630,300 S**

(45) **Date of Patent:** **\*\* Jan. 4, 2011**

(54) **VALVE LOCK**

(76) **Inventor:** **Rufus Parker**, P.O. Box 792, West Blocton, AL (US) 35184

(\*\*) **Term:** **14 Years**

(21) **Appl. No.:** **29/308,607**

(22) **Filed:** **Jun. 26, 2008**

(51) **LOC (9) Cl.** ..... **23-01**

(52) **U.S. Cl.** ..... **D23/249**

(58) **Field of Classification Search** ..... D23/233,  
D23/249, 259, 260; 137/382, 382.5, 383,  
137/384.2, 385; 251/98, 99, 292, 293, 300,  
251/304; 70/175-180

See application file for complete search history.

(56) **References Cited**

**U.S. PATENT DOCUMENTS**

1,395,678 A \* 11/1921 Jones ..... 70/180  
D258,905 S \* 4/1981 Fialkowski ..... D23/249  
D283,246 S \* 4/1986 Jack ..... D23/249  
D348,306 S \* 6/1994 Parker ..... D23/249

5,791,371 A \* 8/1998 Kemp, II ..... 137/383  
6,148,851 A \* 11/2000 Friedline et al. .... 137/385  
2007/0215213 A1 \* 9/2007 Fox ..... 137/383

\* cited by examiner

*Primary Examiner*—Cathron C. Brooks

*Assistant Examiner*—Maurice Stevens

(57) **CLAIM**

The ornamental design for a valve lock, as shown and described.

**DESCRIPTION**

FIG. 1 is a perspective view of the valve lock, showing my design;

FIG. 2 is a front view of the valve lock;

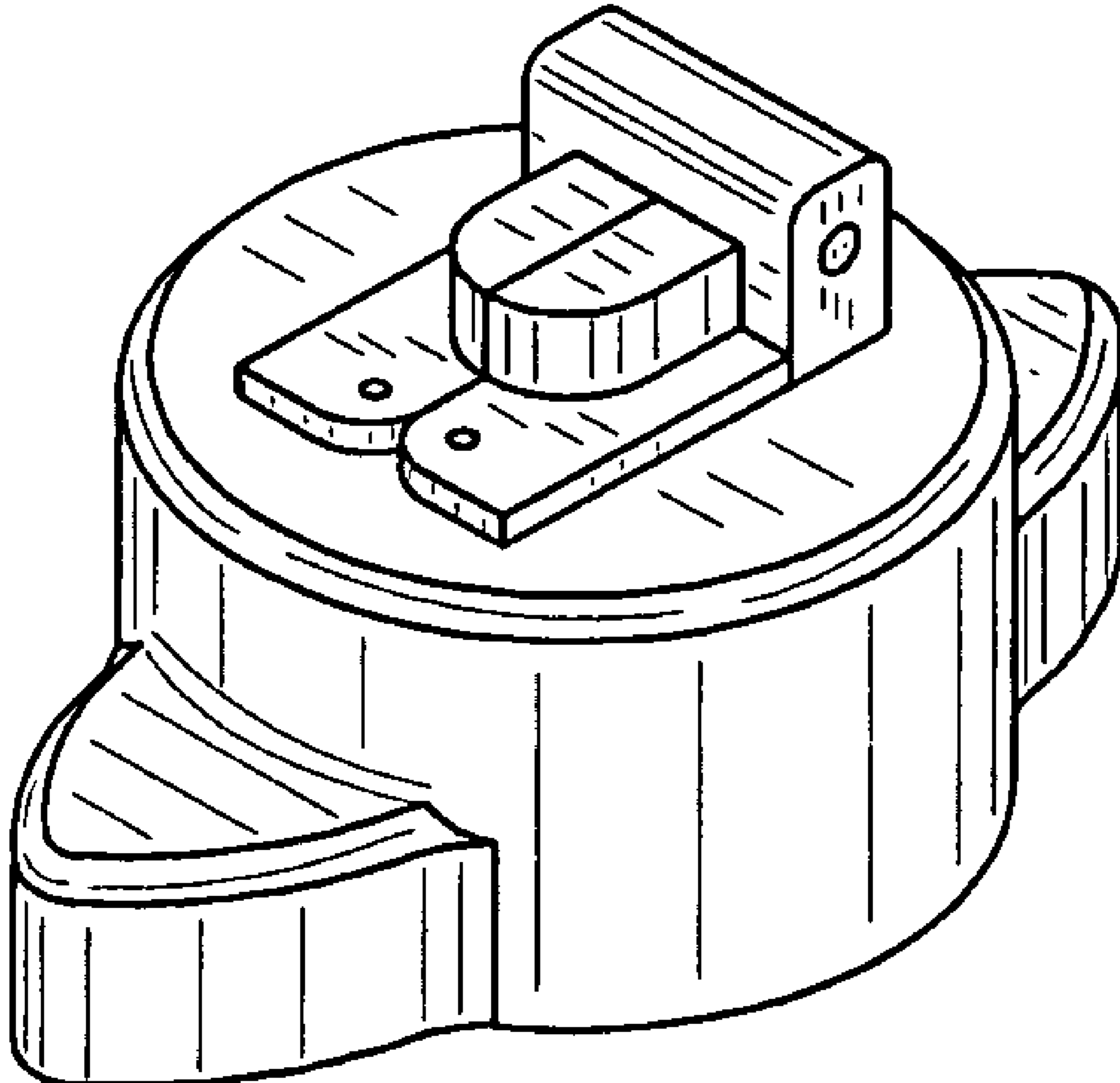
FIG. 3 is an opposing rear side view of the valve lock;

FIG. 4 is a left side view of the valve lock;

FIG. 5 is an opposing right side view of the valve lock; and,

FIG. 6 is a top view of the valve lock.

**1 Claim, 1 Drawing Sheet**



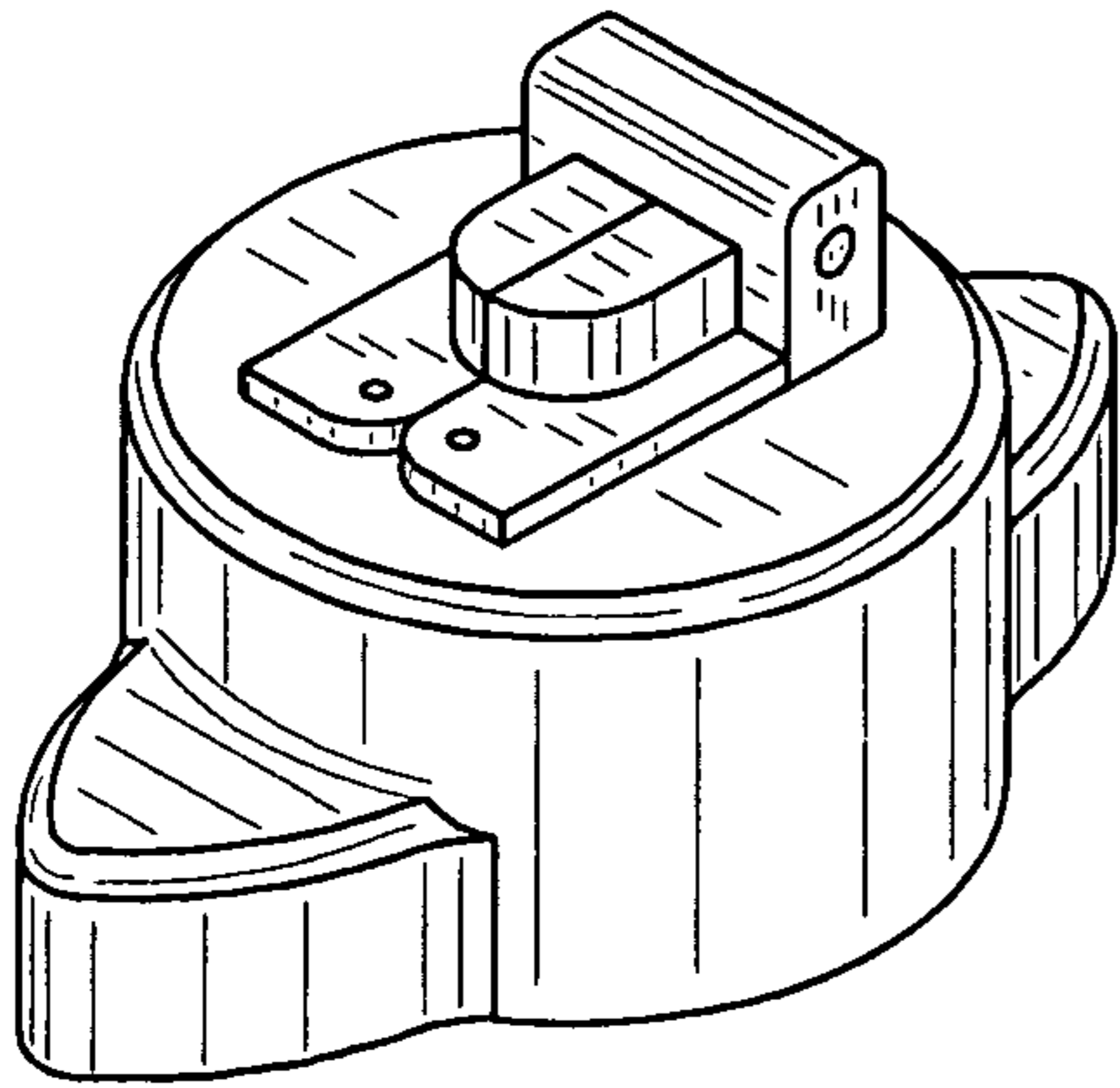


FIG. 1

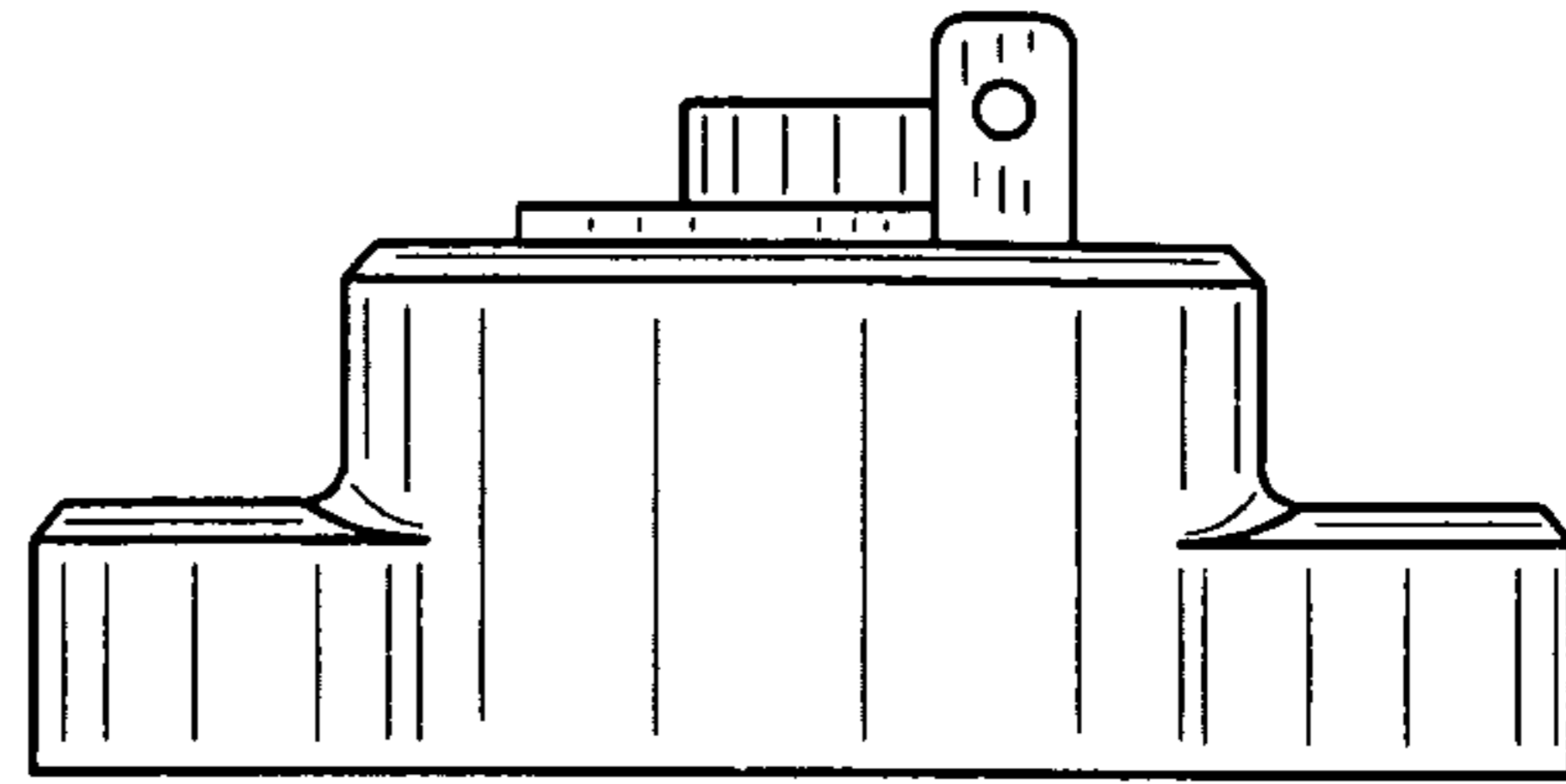


FIG. 2

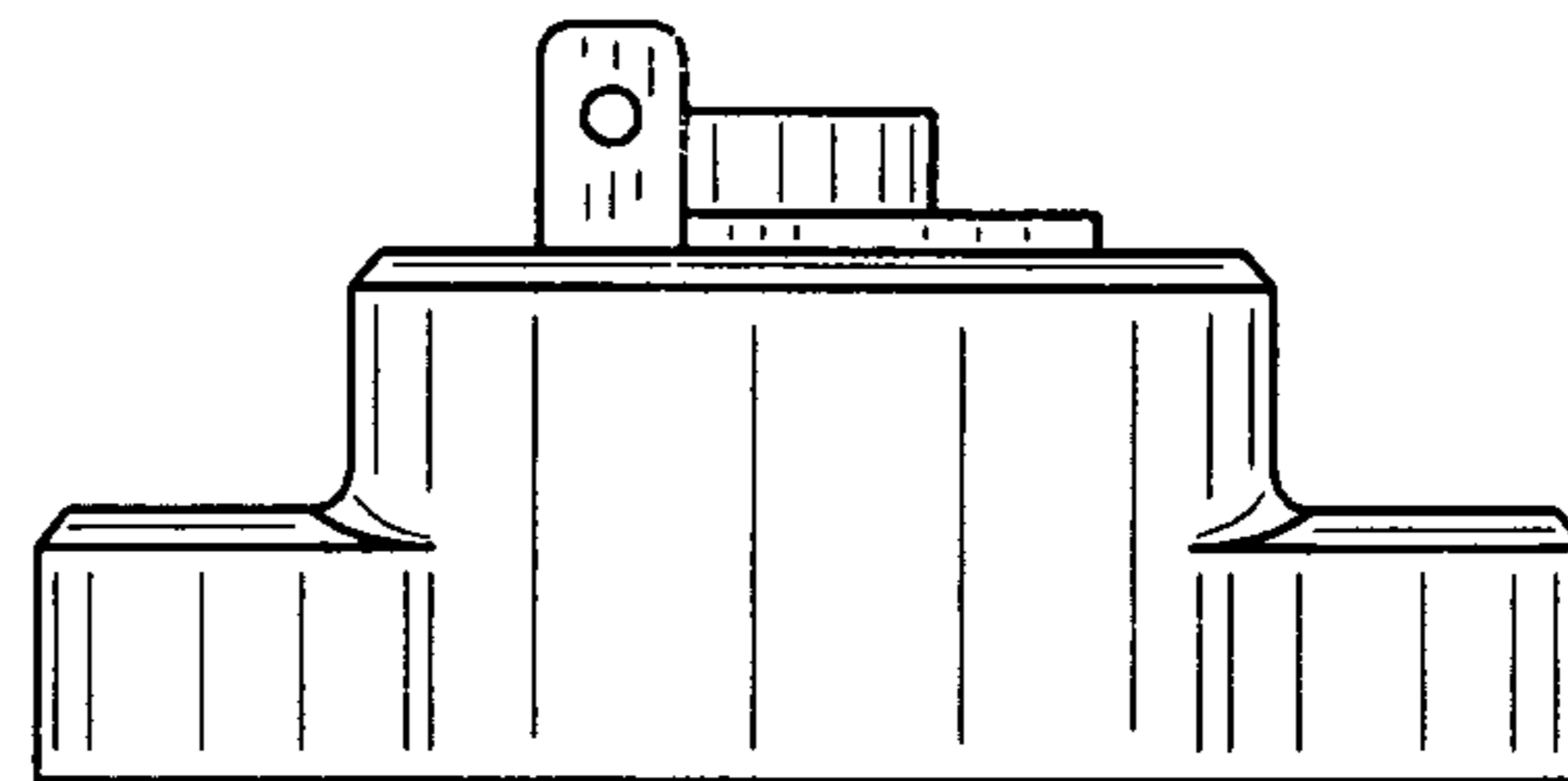


FIG. 3

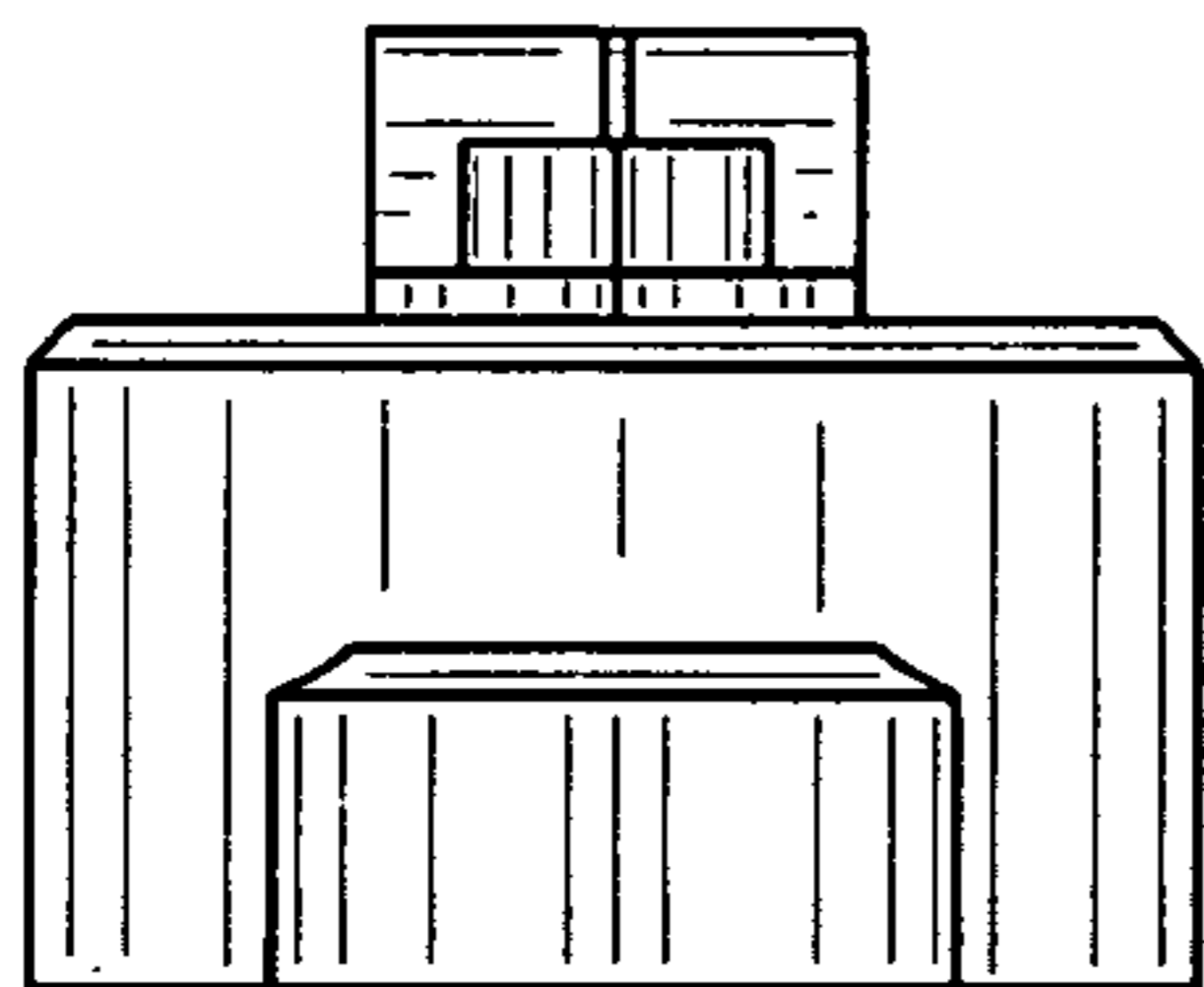


FIG. 4

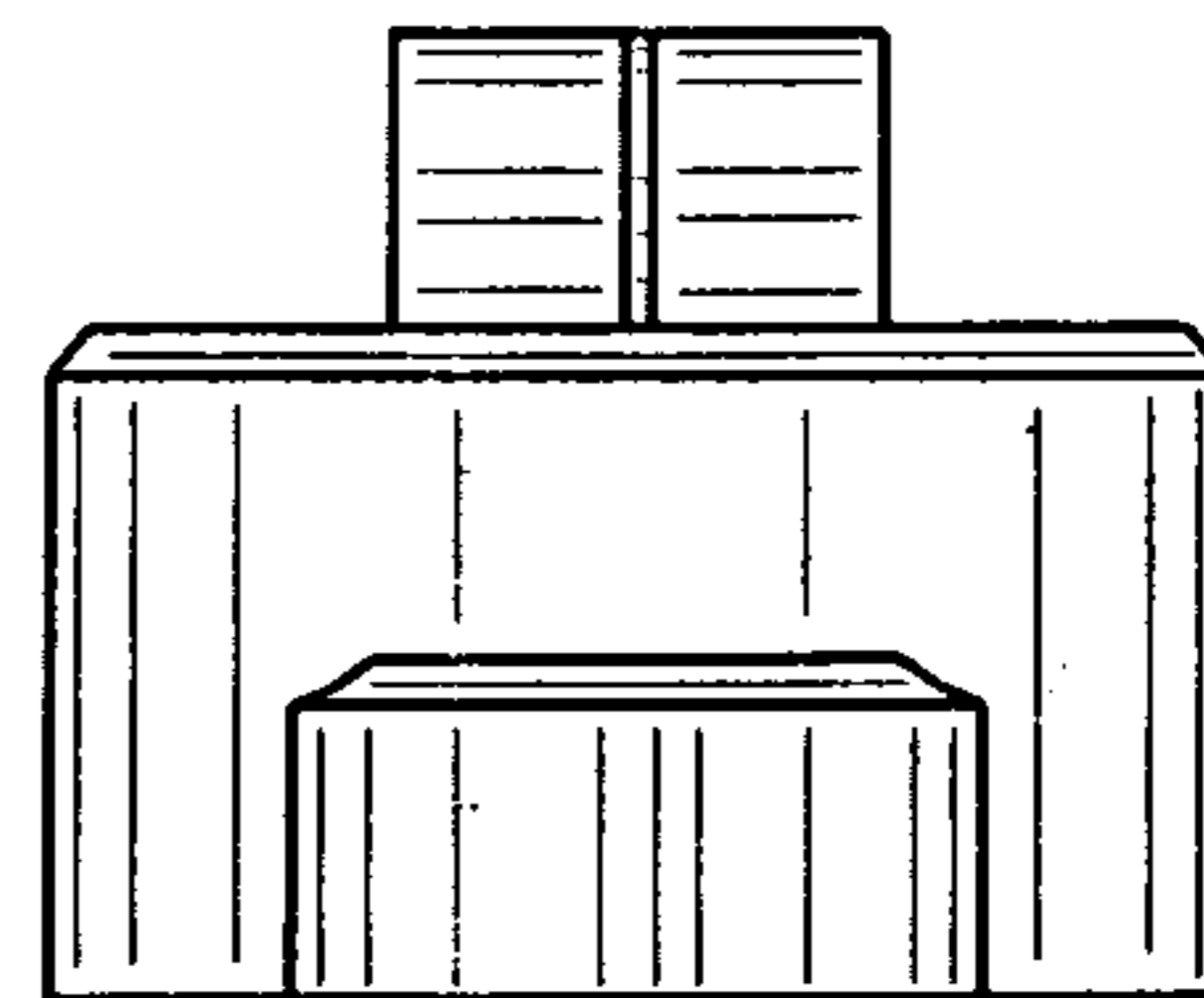


FIG. 5

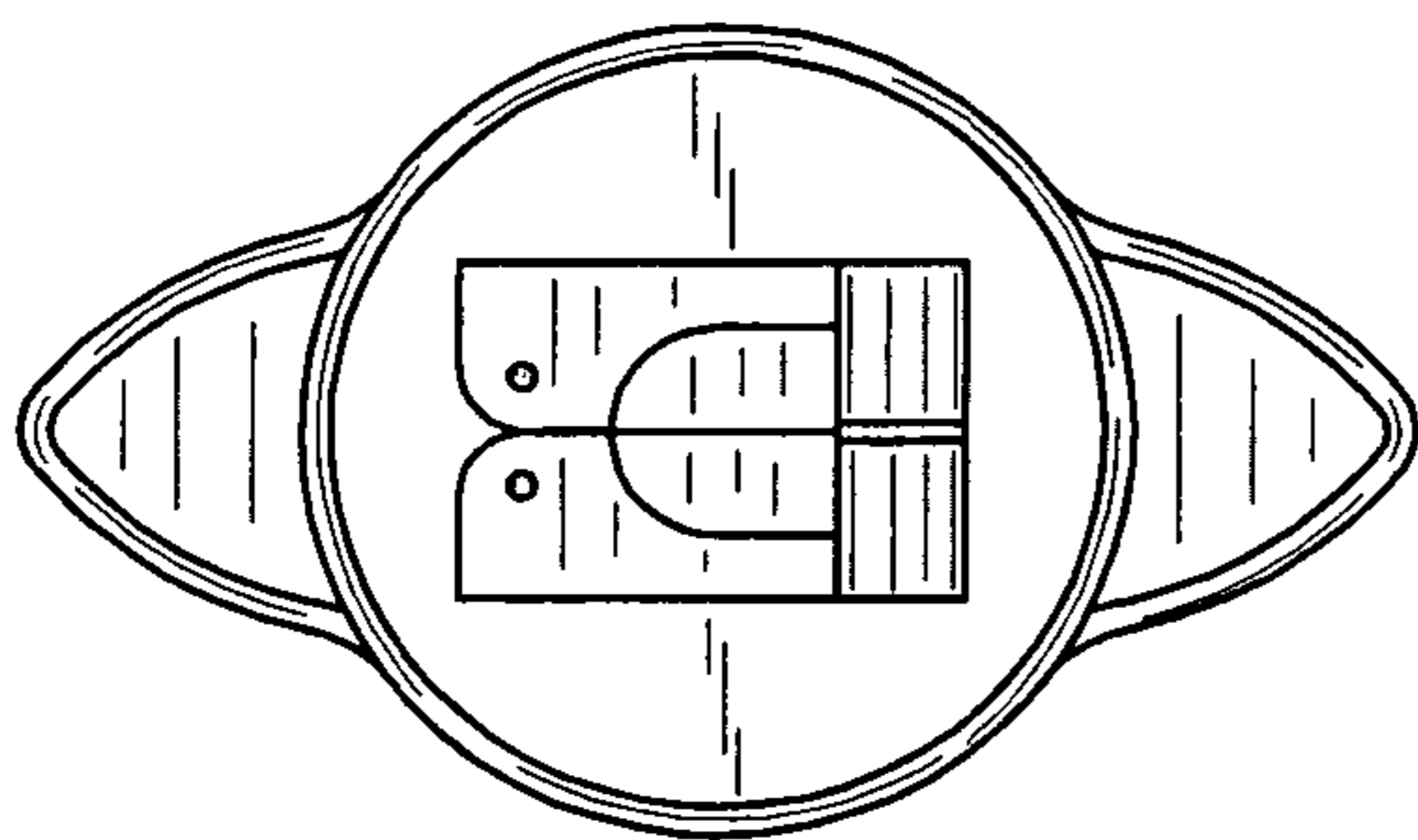


FIG. 6