



US00D630299S

(12) **United States Design Patent**
Boysel et al.

(10) **Patent No.:** **US D630,299 S**
(45) **Date of Patent:** **** Jan. 4, 2011**

(54) **GUTTER RELIEF VALVE**

(76) Inventors: **David A. Boyssel**, 690 Fleming St.,
Sabastian, FL (US) 32758; **Michael B.**
Carroll, 4523 Micco Rd., Micco, FL
(US) 32976

(**) Term: **14 Years**

(21) Appl. No.: **29/359,937**

(22) Filed: **Apr. 16, 2010**

(51) **LOC (9) Cl.** **23-01**

(52) **U.S. Cl.** **D23/233; D23/267**

(58) **Field of Classification Search** D23/233–237,
D23/259–265, 267; 52/11–16, 287.1, 288.1,
52/302.1, 302.3; 248/48.1; 210/85, 87, 159,
210/162, 166, 170.03, 474; 285/183, 424;
137/801; 405/40–42, 119

See application file for complete search history.

(56) **References Cited**

U.S. PATENT DOCUMENTS

4,142,370	A *	3/1979	Giordano	405/119
4,309,792	A	1/1982	Faye		
D288,230	S *	2/1987	Thatcher	D23/263
4,998,386	A	3/1991	Baumgarth		
5,119,849	A	6/1992	Hinkley		
5,406,966	A *	4/1995	Lepkowski et al.	134/104.4
5,701,931	A	12/1997	Phillips et al.		
7,007,429	B2 *	3/2006	Kim	52/16

7,117,642	B2 *	10/2006	Brown	52/11
7,216,458	B2 *	5/2007	Taouil	52/11
D552,219	S	10/2007	Beutler et al.		
D586,436	S *	2/2009	Cangialosi	D23/267

* cited by examiner

Primary Examiner—Cathron C. Brooks
Assistant Examiner—Maurice Stevens

(57) **CLAIM**

The ornamental design for a gutter relief valve, as shown and described.

DESCRIPTION

FIG. 1 is a perspective view of a gutter relief valve showing my new design;

FIG. 2 is a front view thereof;

FIG. 3 is a back view thereof;

FIG. 4 is a side view thereof;

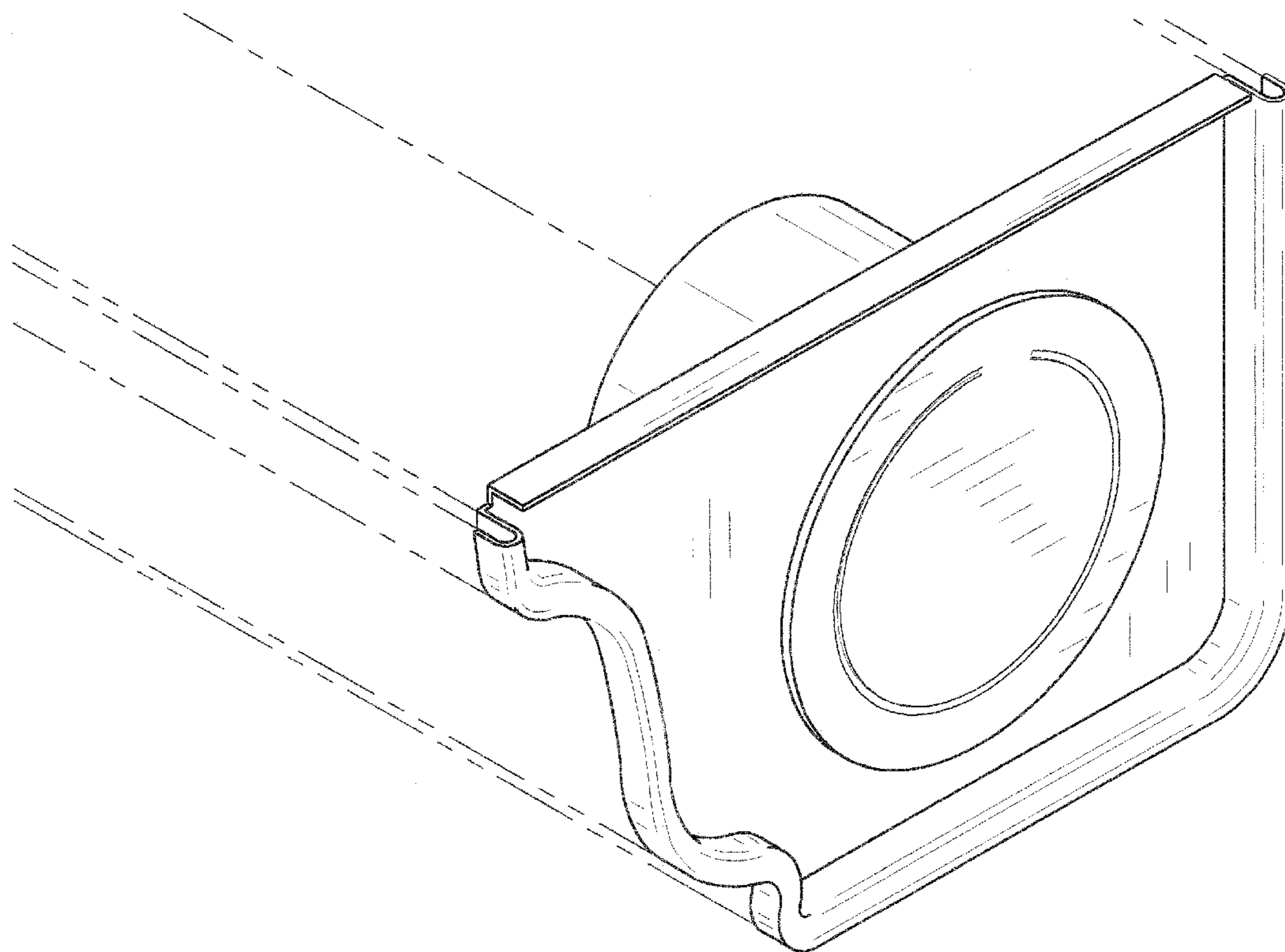
FIG. 5 is an opposite side view thereof;

FIG. 6 is a top view thereof; and,

FIG. 7 is a bottom view thereof.

In FIG. 1, the broken lines showing of environmental structure for purposes of illustrating the gutter relief valve in a condition of use. The broken lines and the structure they depict form no part of the claimed design.

1 Claim, 4 Drawing Sheets



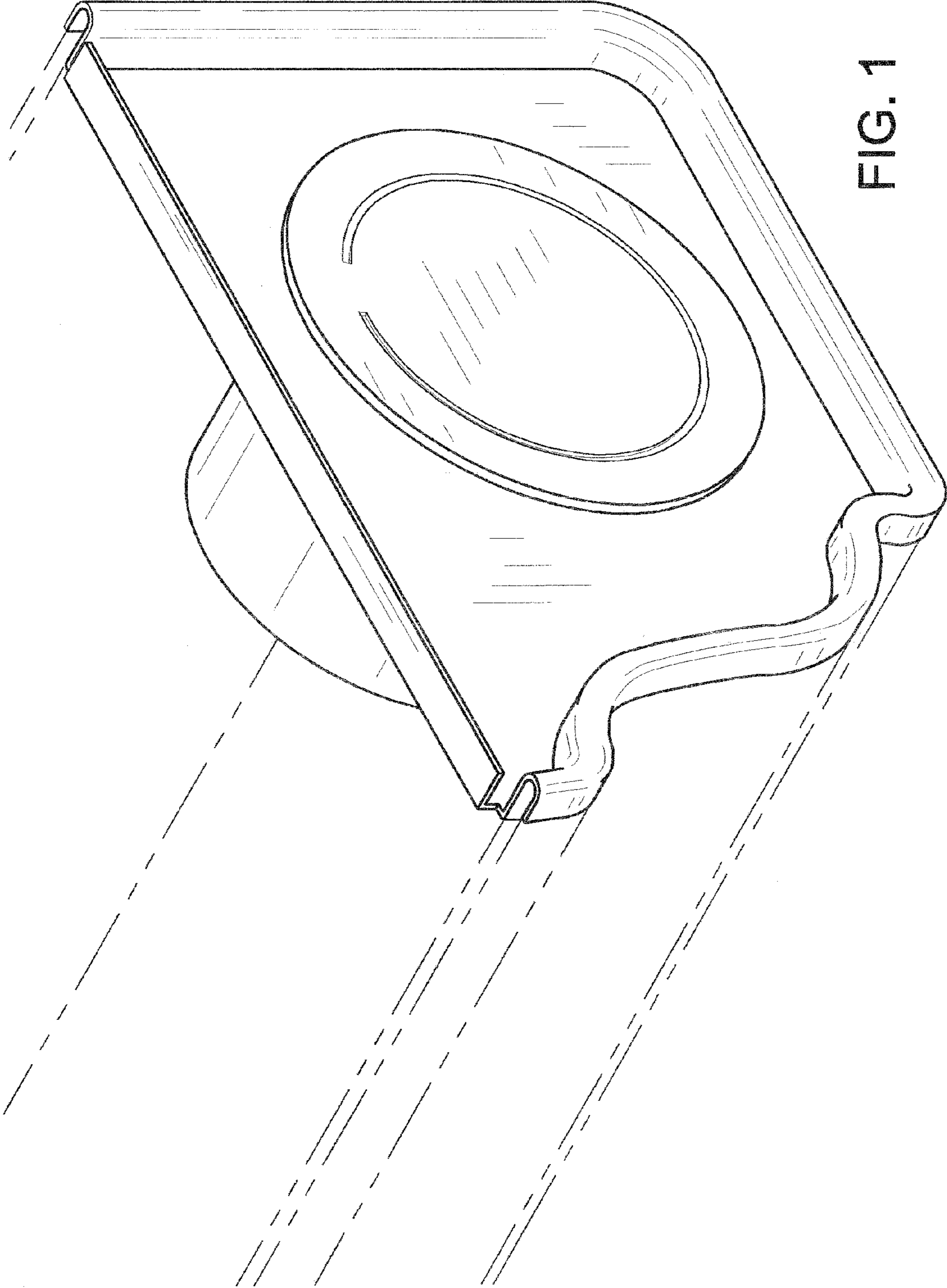


FIG. 1

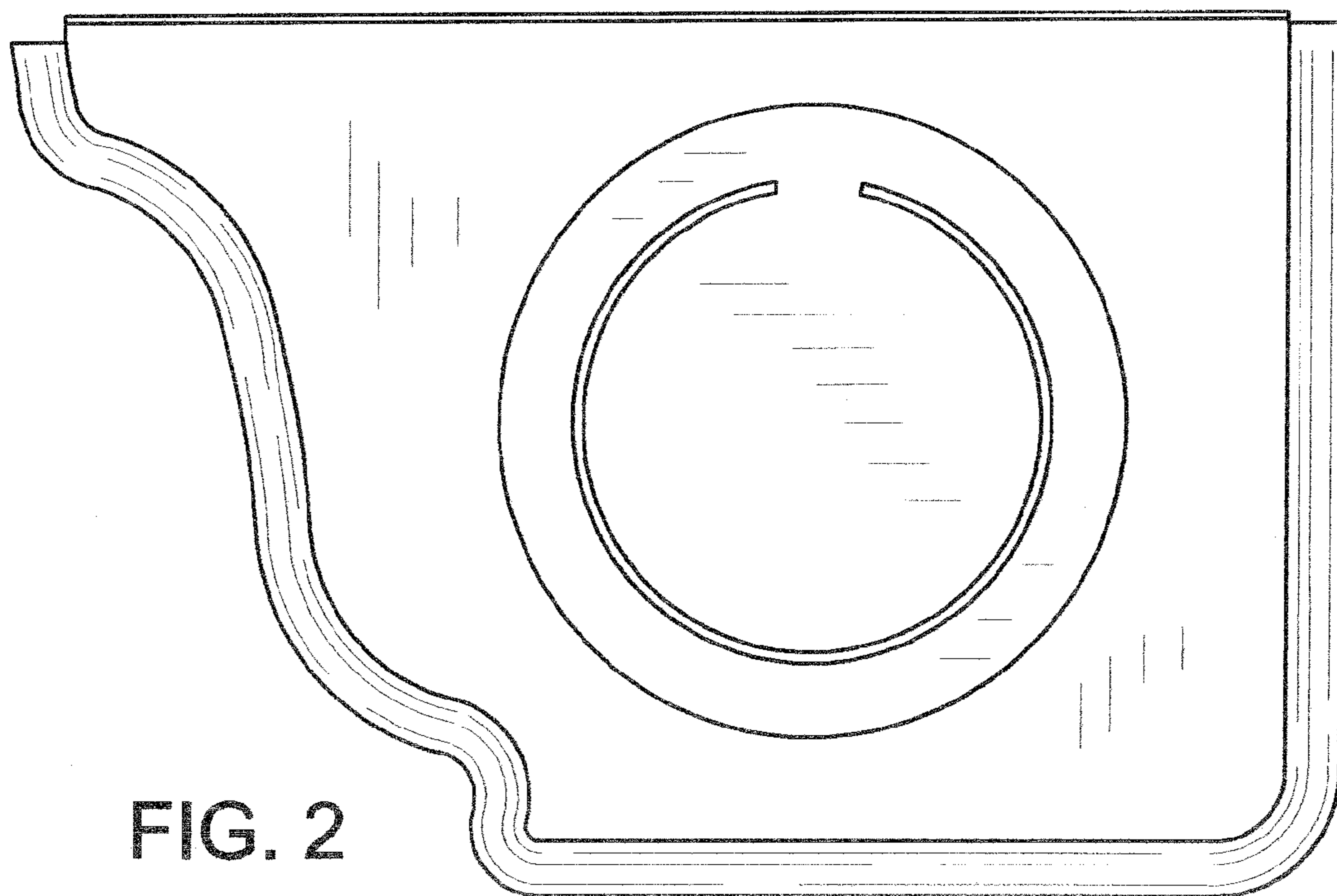


FIG. 2

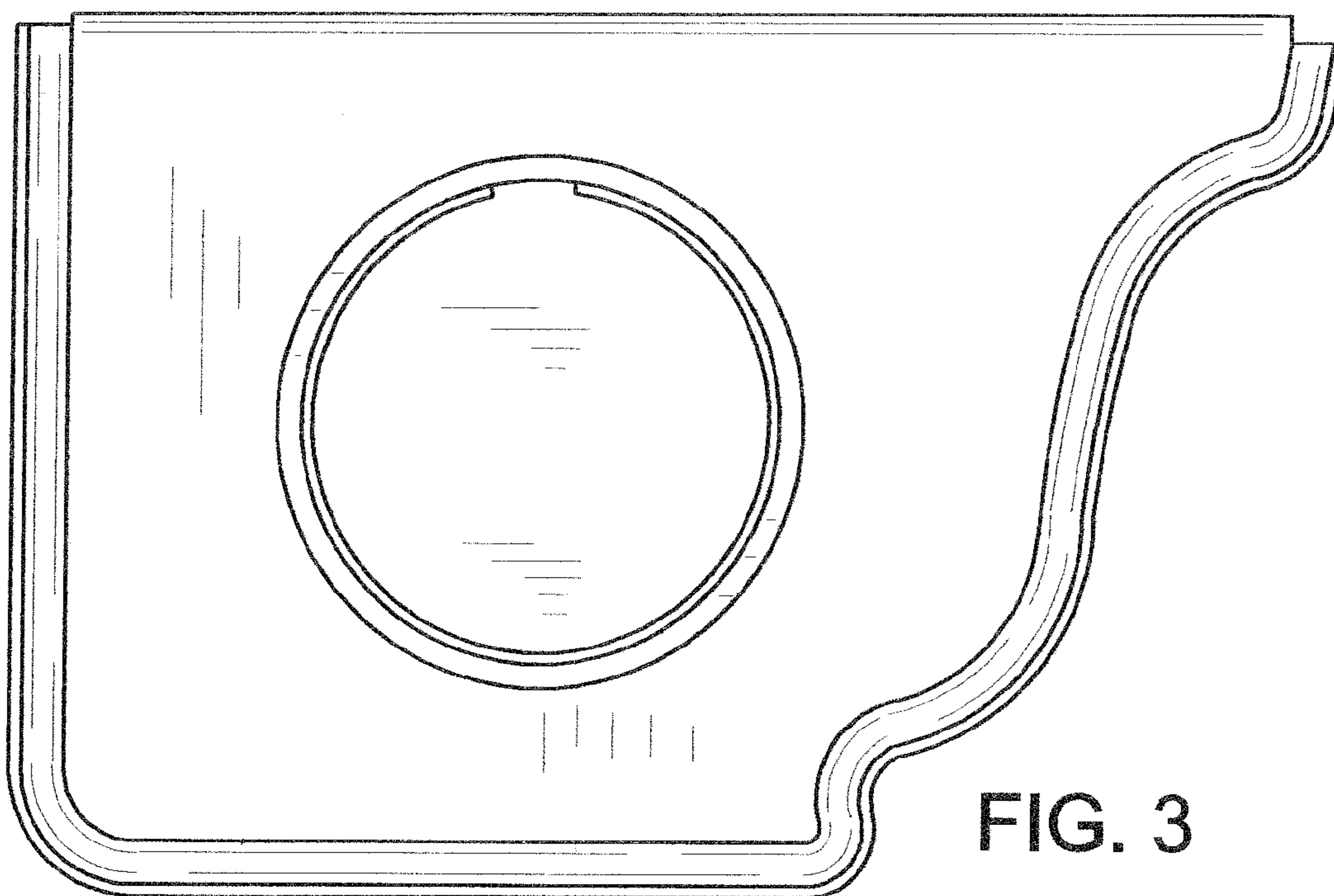


FIG. 3

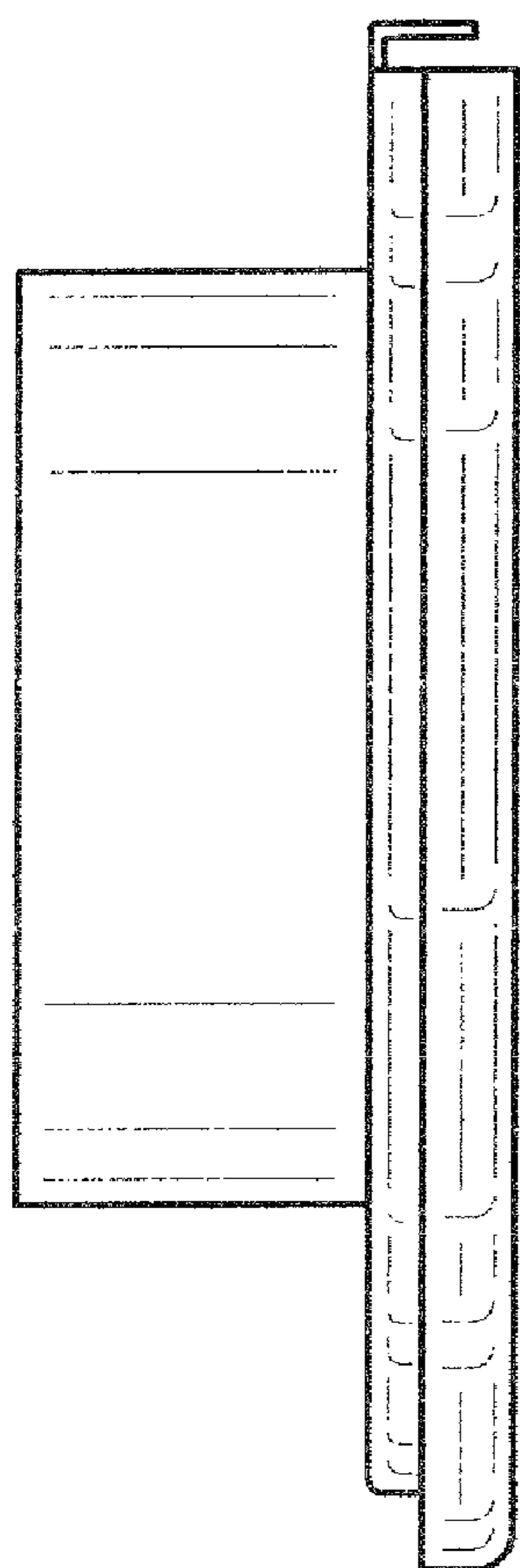


FIG. 4

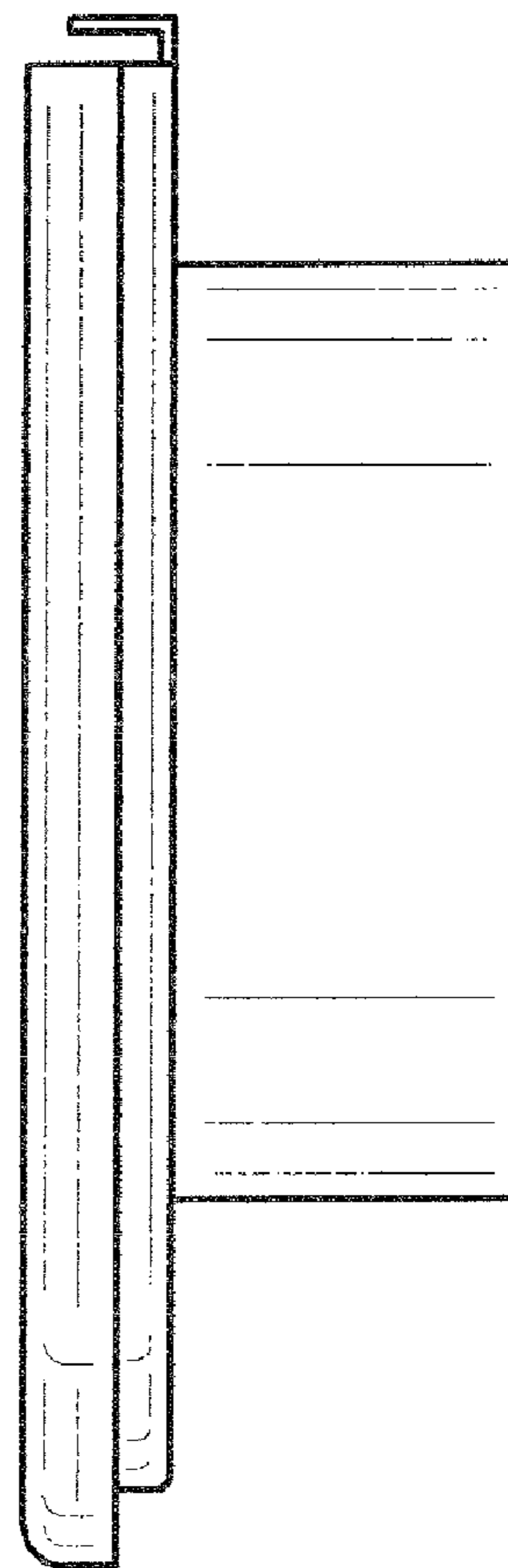


FIG. 5

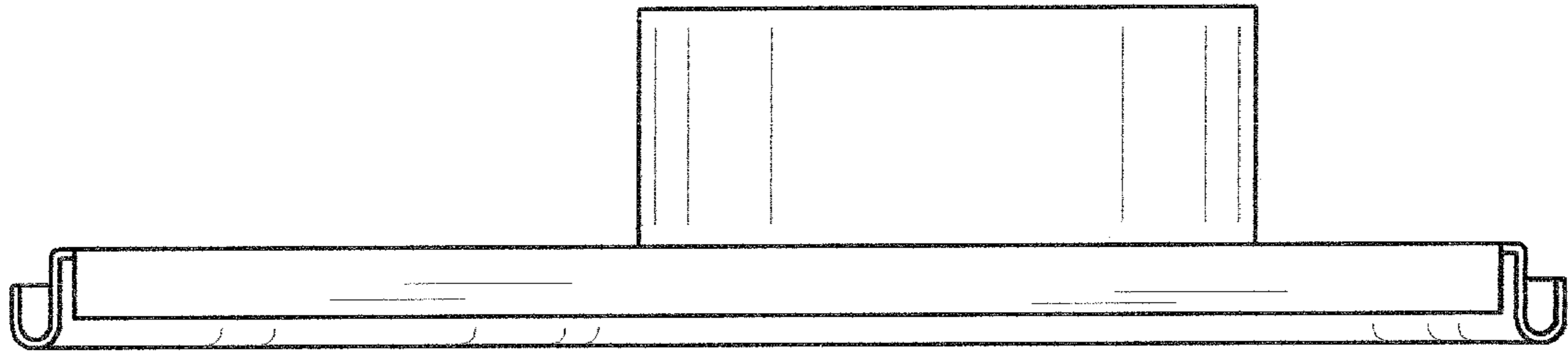


FIG. 6

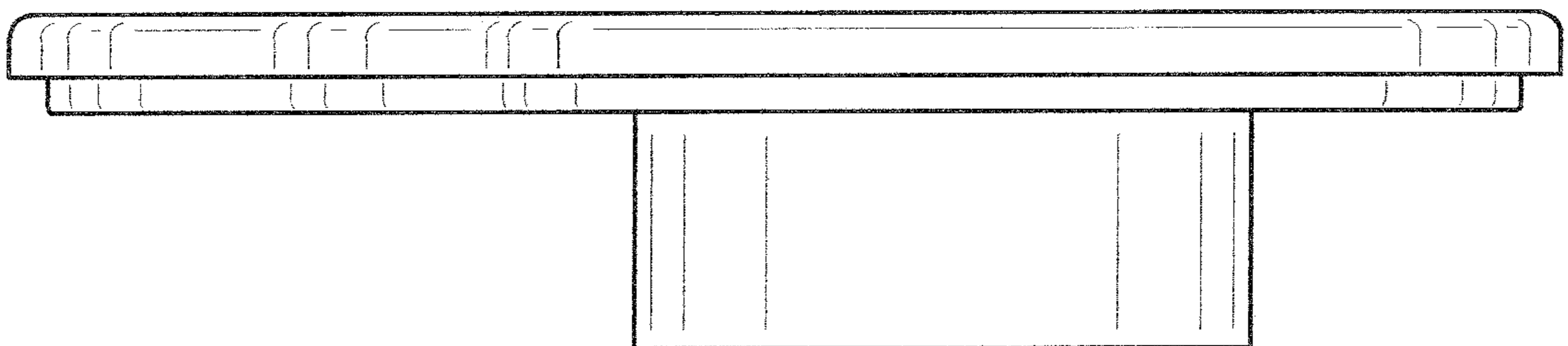


FIG. 7