



US00D630296S

(12) **United States Design Patent**  
**Quintel et al.**

(10) **Patent No.:** **US D630,296 S**

(45) **Date of Patent:** **\*\* Jan. 4, 2011**

(54) **SEAMLESS BAG FILTER HOUSING**

*Primary Examiner*—Robin V Webster

(75) Inventors: **Mark Anthony Quintel**, Kalamazoo, MI (US); **Craig Lee Imanse**, Schoolcraft, MI (US); **Christopher Scott Rau**, Battle Creek, MI (US)

(74) *Attorney, Agent, or Firm*—Daniel S. Kalka

(73) Assignee: **Eaton Corporation**, Cleveland, OH (US)

(57) **CLAIM**

The ornamental design for a seamless bag filter housing, as shown and described.

(\*\*) Term: **14 Years**

**DESCRIPTION**

(21) Appl. No.: **29/354,732**

(22) Filed: **Jan. 28, 2010**

(51) **LOC (9) Cl.** ..... **23-01**

(52) **U.S. Cl.** ..... **D23/209**

(58) **Field of Classification Search** ..... D23/207,  
D23/209; 210/232, 448, 452  
See application file for complete search history.

FIG. 1 is a top perspective view of a seamless bag filter housing showing our new design;

FIG. 2 is an elevated perspective view of the seamless bag filter housing;

FIG. 3 is a rear view of the seamless bag filter housing;

FIG. 4 is a left side view of the seamless bag filter housing;

FIG. 5 is a front view of the seamless bag filter housing;

FIG. 6 is a right side view of the seamless bag filter housing;

FIG. 7 is a top view of the seamless bag filter housing; and,

FIG. 8 is a bottom view of the seamless bag filter housing.

The broken line showing in the figures is included for the purpose of illustrating and forms no part of the claimed design.

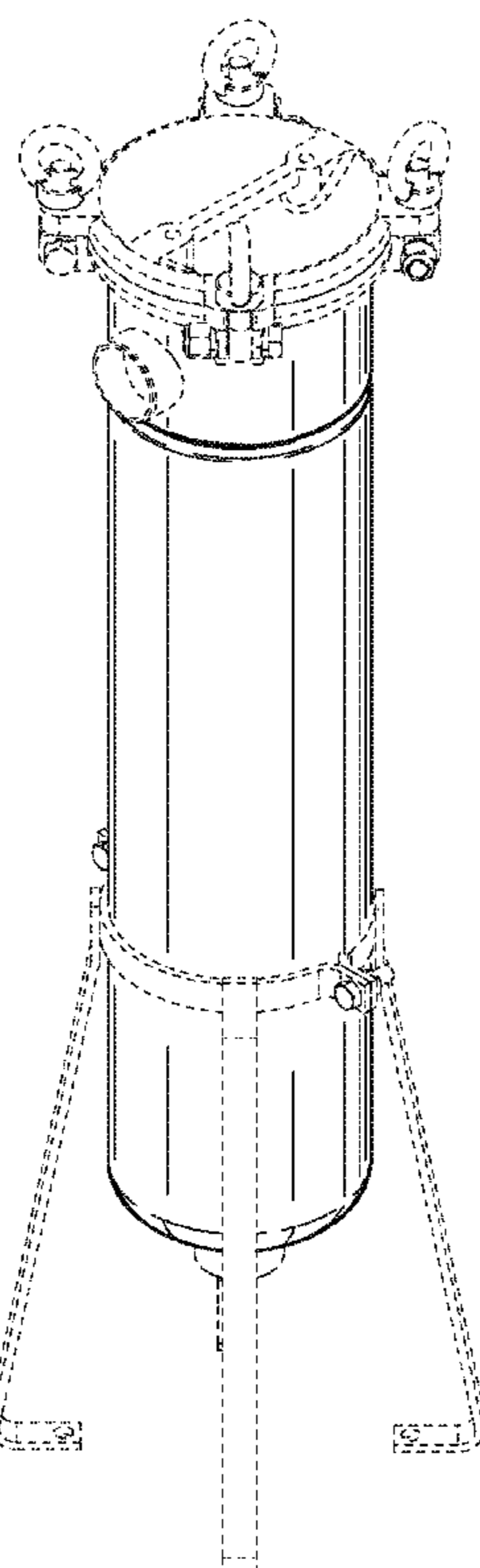
(56) **References Cited**

U.S. PATENT DOCUMENTS

D97,741 S *	12/1935	Parsons	.....	D23/207
5,514,275 A *	5/1996	Morgan, Jr.	.....	210/448
D377,825 S *	2/1997	Booth et al.	.....	D23/209
5,643,451 A *	7/1997	Harris et al.	.....	210/448
D480,446 S *	10/2003	Liou	.....	D23/207
6,966,444 B2 *	11/2005	Morgan	.....	210/448

\* cited by examiner

**1 Claim, 3 Drawing Sheets**



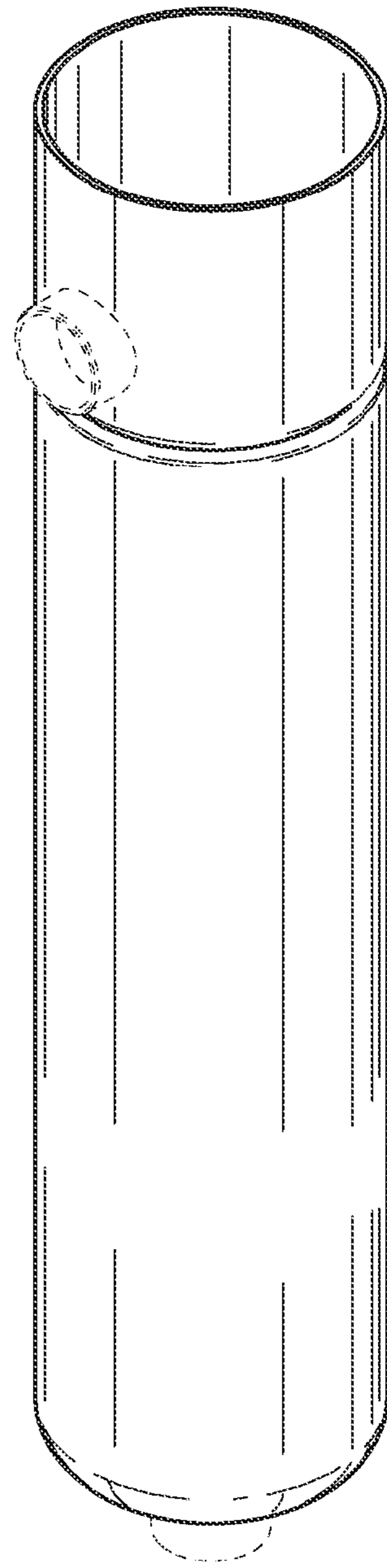
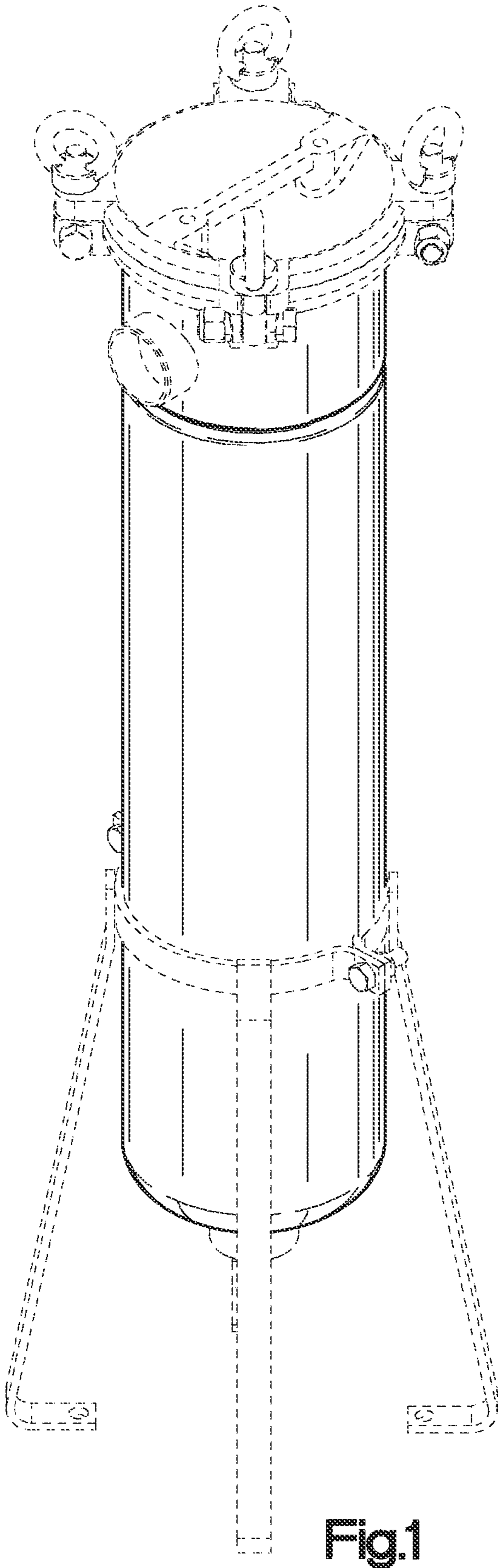


Fig.2

Fig.1

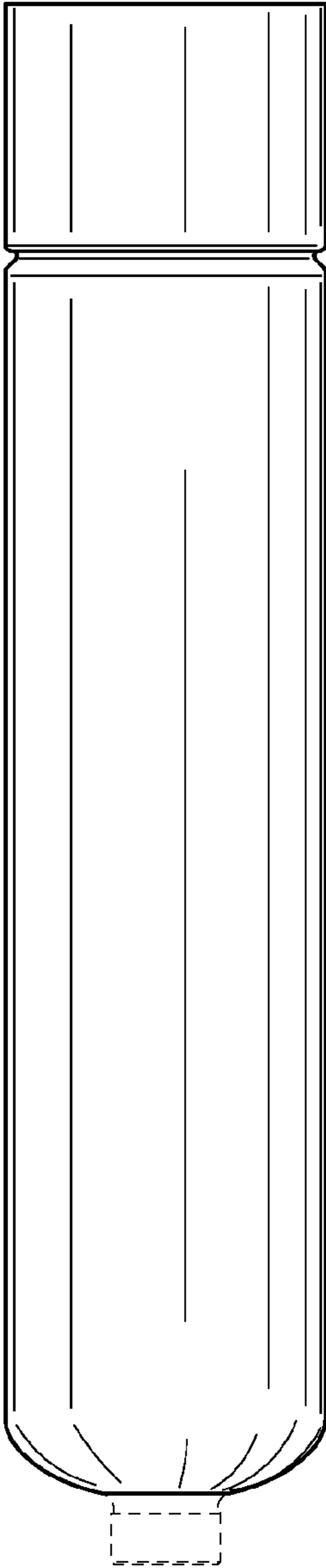


Fig.3

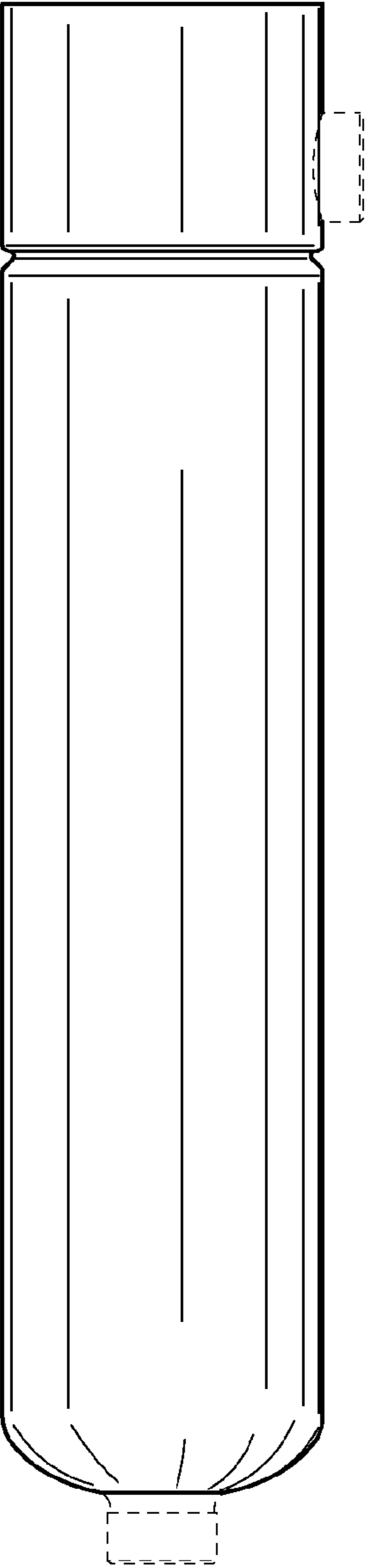


Fig.4

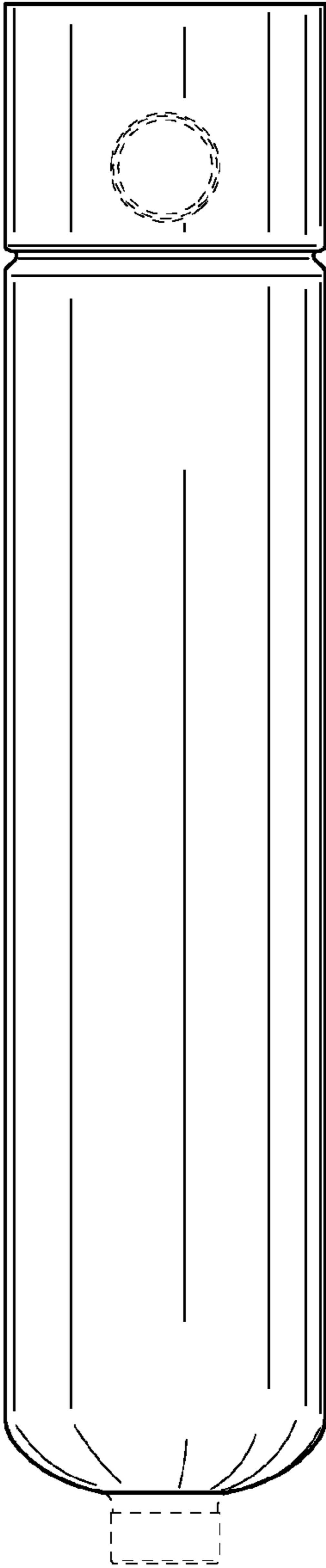
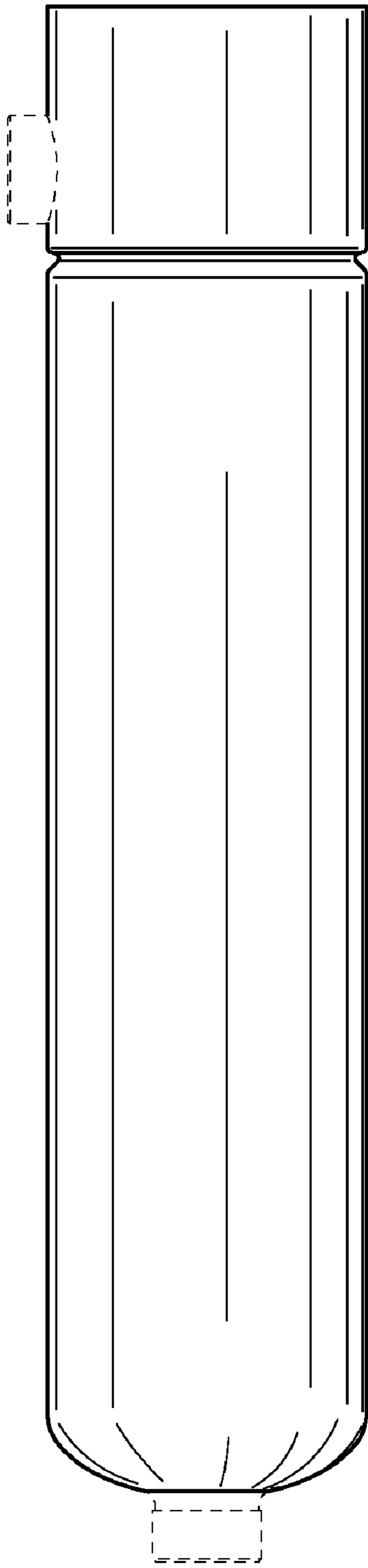
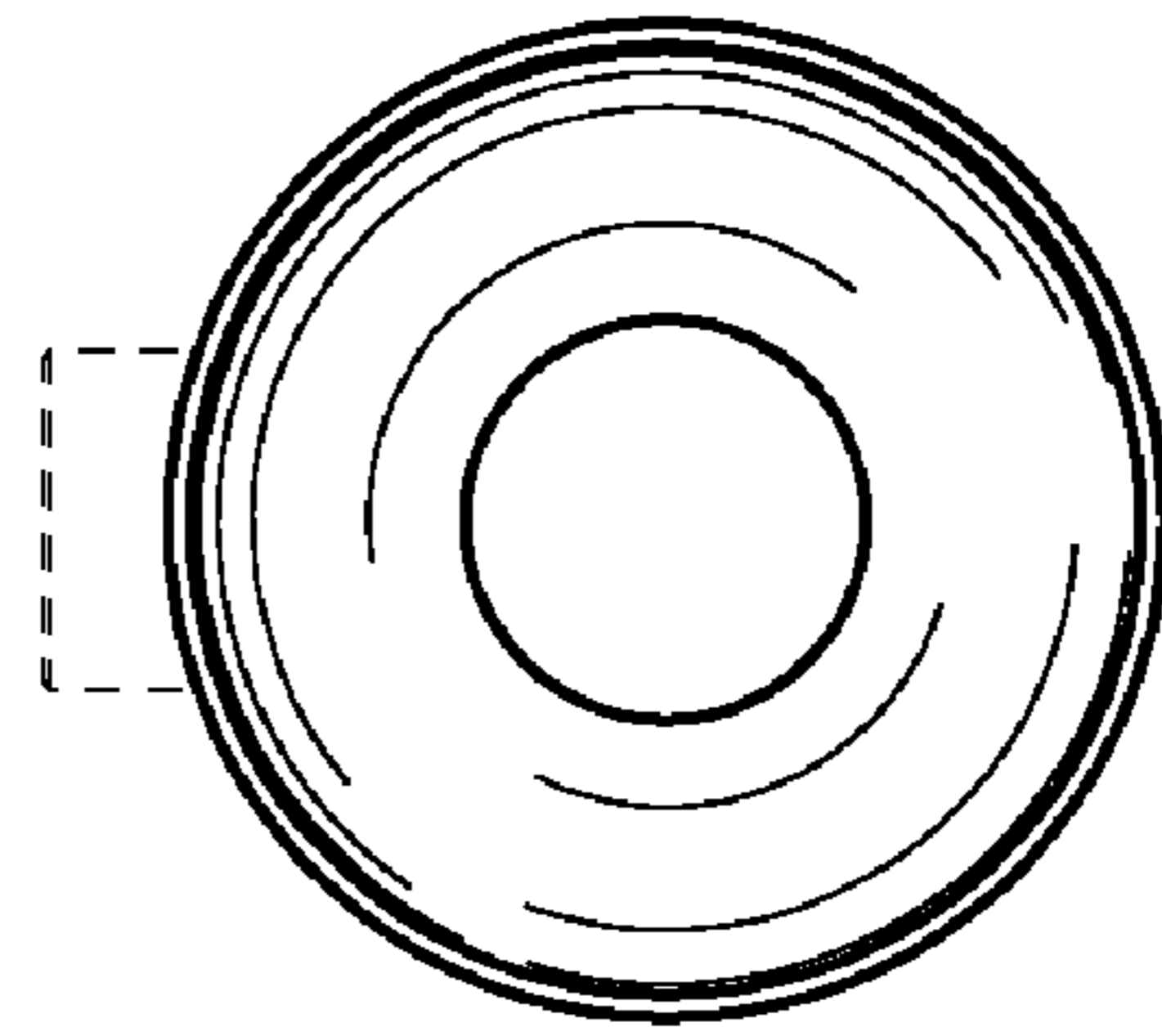


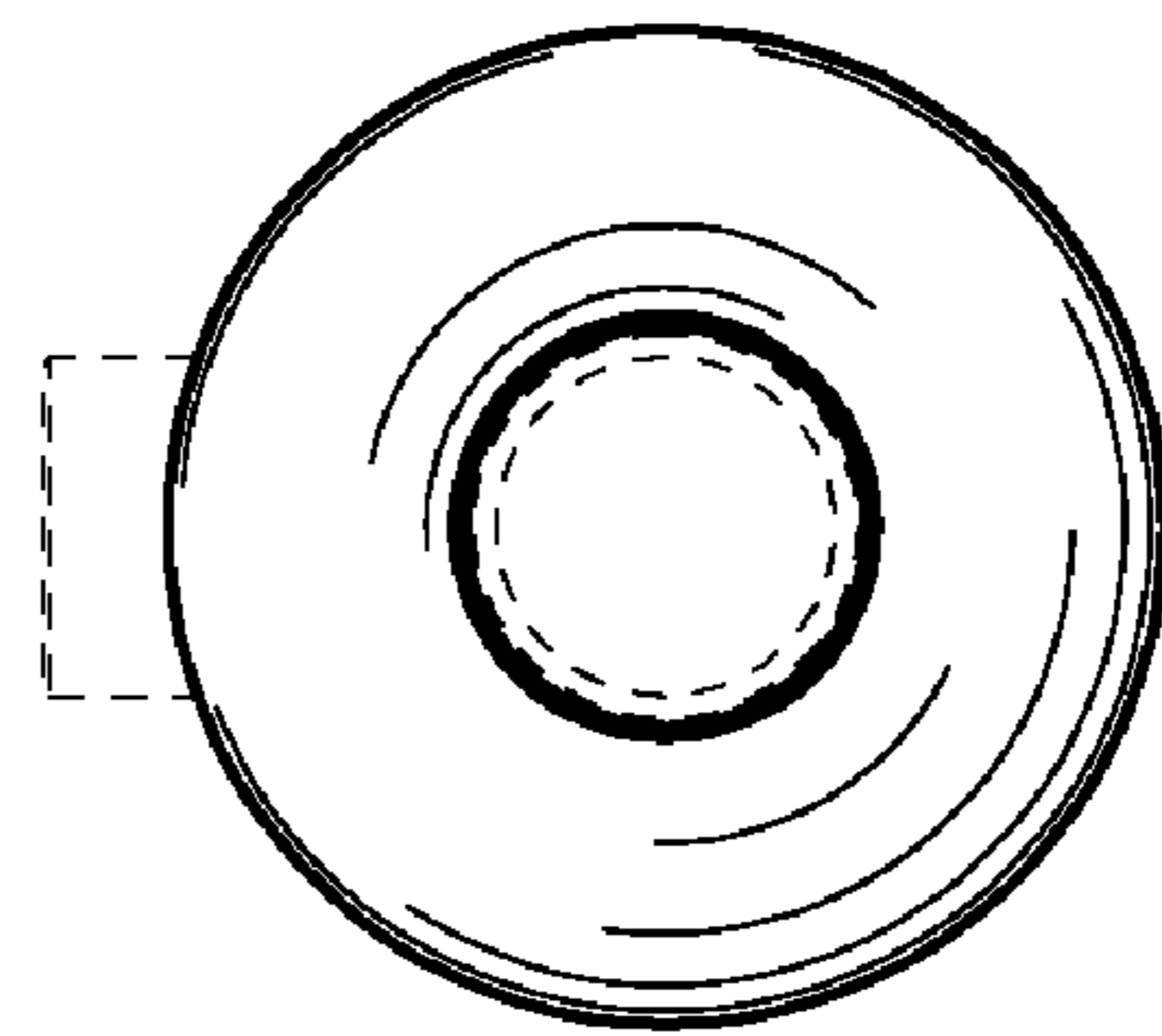
Fig.5



**Fig.6**



**Fig.7**



**Fig.8**