



US00D630293S

(12) **United States Design Patent**
Roberts

(10) **Patent No.:** **US D630,293 S**

(45) **Date of Patent:** **** Jan. 4, 2011**

(54) **FORK-SHAPED FISHING LURE**

(76) **Inventor:** **Henry C. Roberts**, 370 Stoker Ridge Rd., Jasper, TN (US) 37347

(**) **Term:** **14 Years**

(21) **Appl. No.:** **29/362,052**

(22) **Filed:** **May 19, 2010**

(51) **LOC (9) Cl.** **22-05**

(52) **U.S. Cl.** **D22/130**

(58) **Field of Classification Search** D22/126-133;
43/42.5, 42.13, 42.14, 42.15, 42.16, 42.17,
43/42.18, 42.19, 42.22

See application file for complete search history.

(56) **References Cited**

U.S. PATENT DOCUMENTS

2,517,495	A	*	8/1950	Kneece	43/42.12
2,997,804	A		8/1961	Creason, Sr. et al.		
3,518,784	A		7/1970	Kling et al.		
D241,838	S	*	10/1976	Vanninen	D22/130
D242,142	S	*	11/1976	Newton	D22/130
4,163,337	A		8/1979	Kress		
D255,703	S		7/1980	Kent		
D278,926	S		5/1985	Bagley		

4,520,588	A	6/1985	Hindermyer
5,077,931	A	1/1992	Marshall
D409,271	S	5/1999	Norton
6,857,220	B2	2/2005	King

* cited by examiner

Primary Examiner—Catherine R Oliver

(74) *Attorney, Agent, or Firm*—Montgomery Patent and Design; Joseph T. Yaksich; Robert C. Montgomery

(57) **CLAIM**

The ornamental design for a fork-shaped fishing lure, as shown.

DESCRIPTION

FIG. 1 a perspective view of a fork-shaped fishing lure, showing my new design;

FIG. 2 is a front view thereof;

FIG. 3 is a rear view thereof;

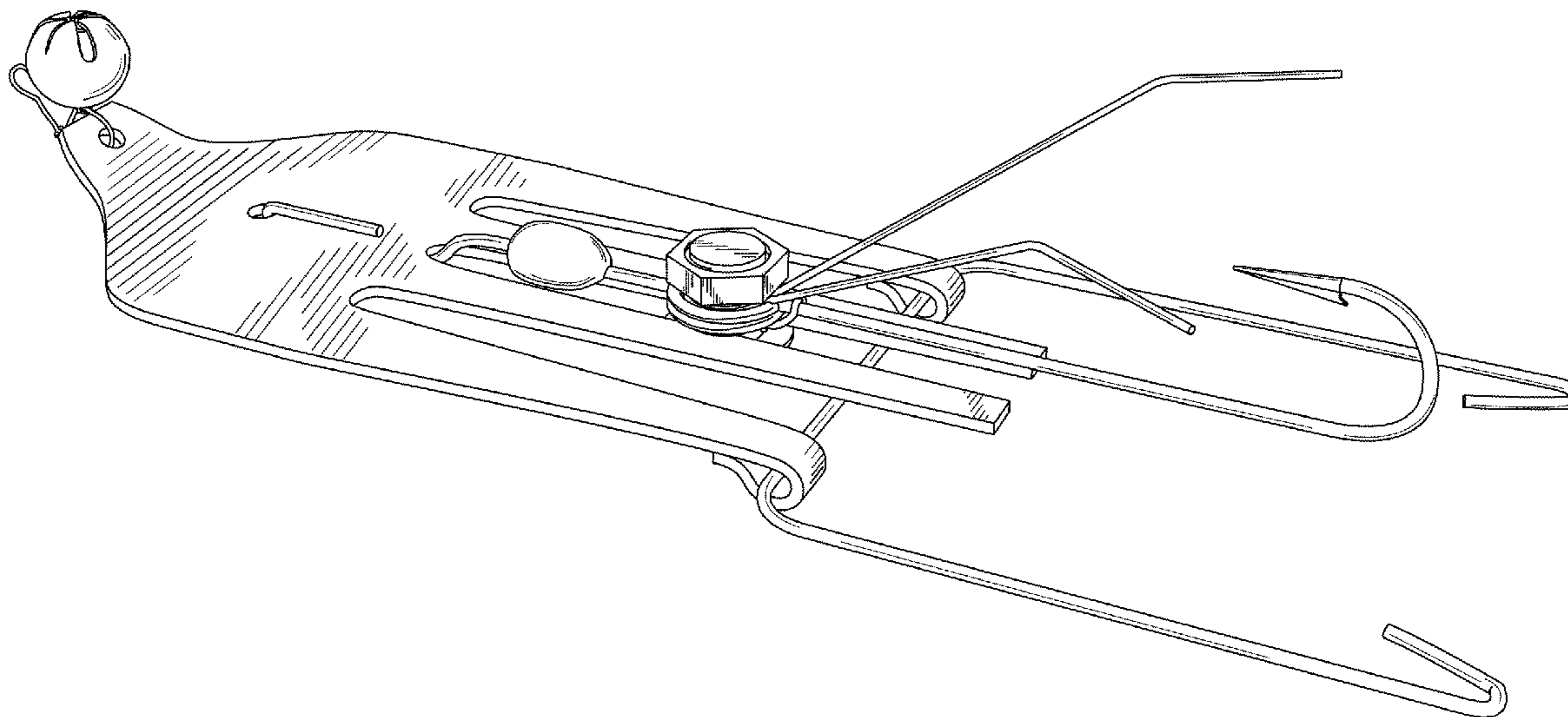
FIG. 4 is a left side view thereof;

FIG. 5 is a right side view thereof;

FIG. 6 is a top view thereof; and,

FIG. 7 is a bottom view thereof.

1 Claim, 5 Drawing Sheets



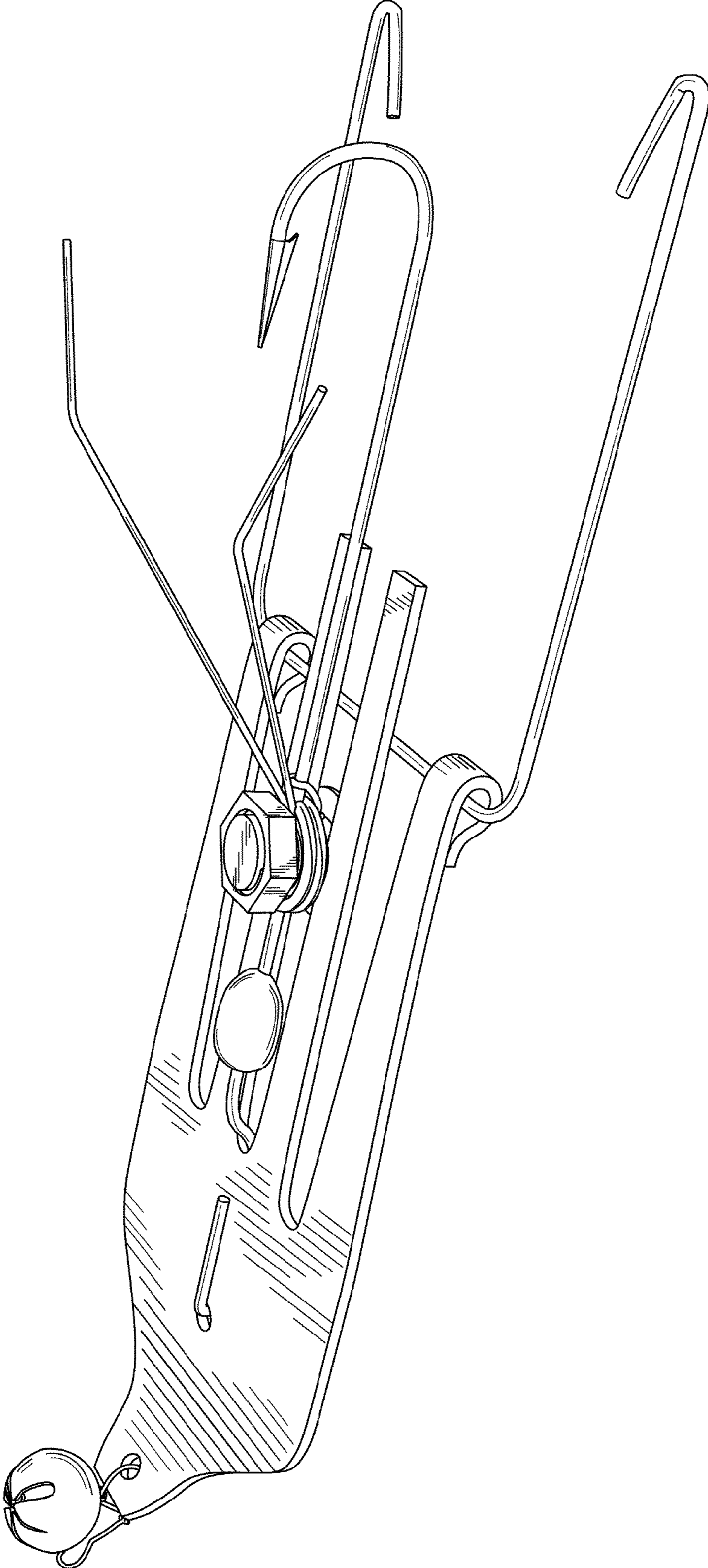


Fig. 1

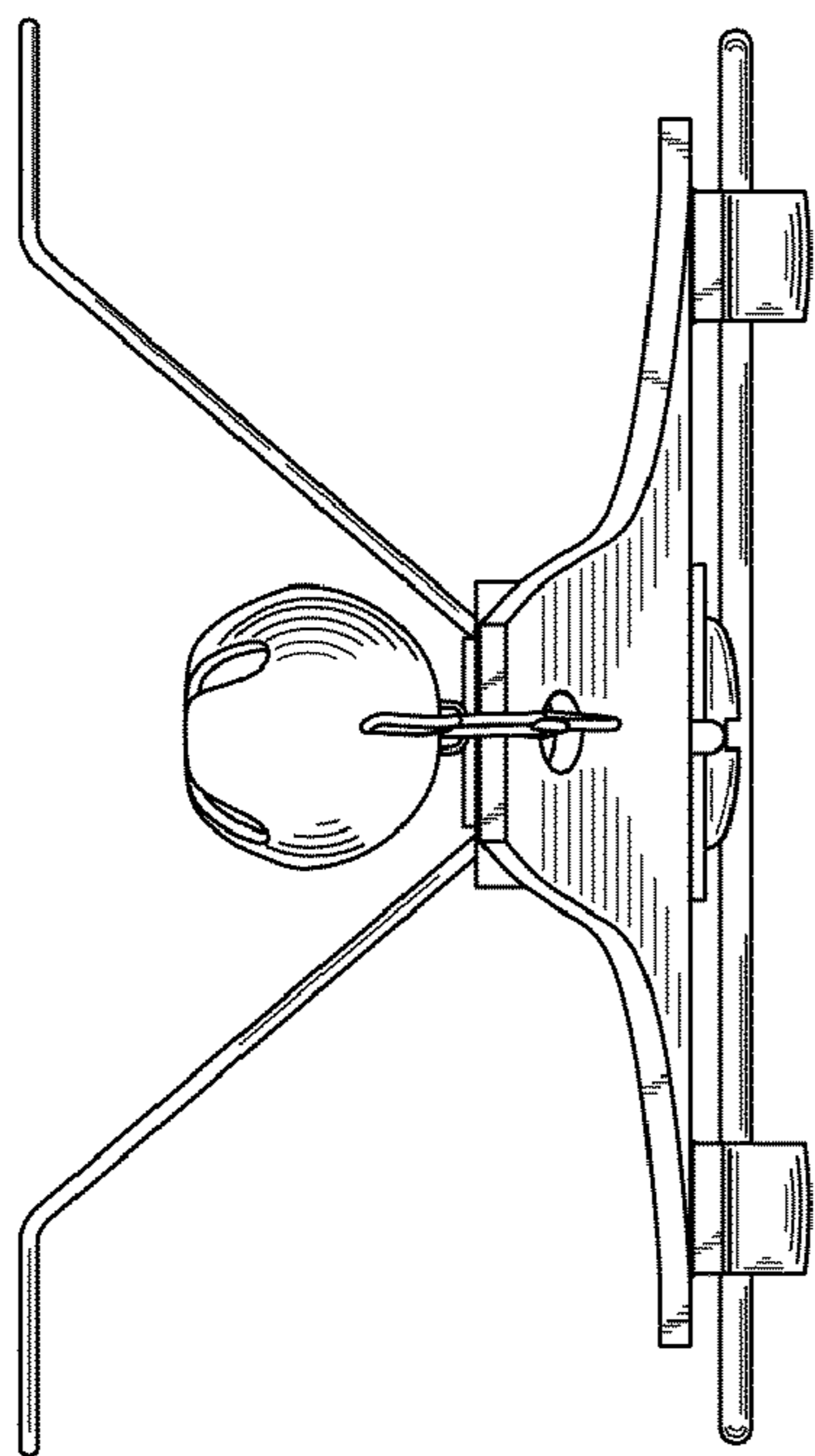


Fig. 3

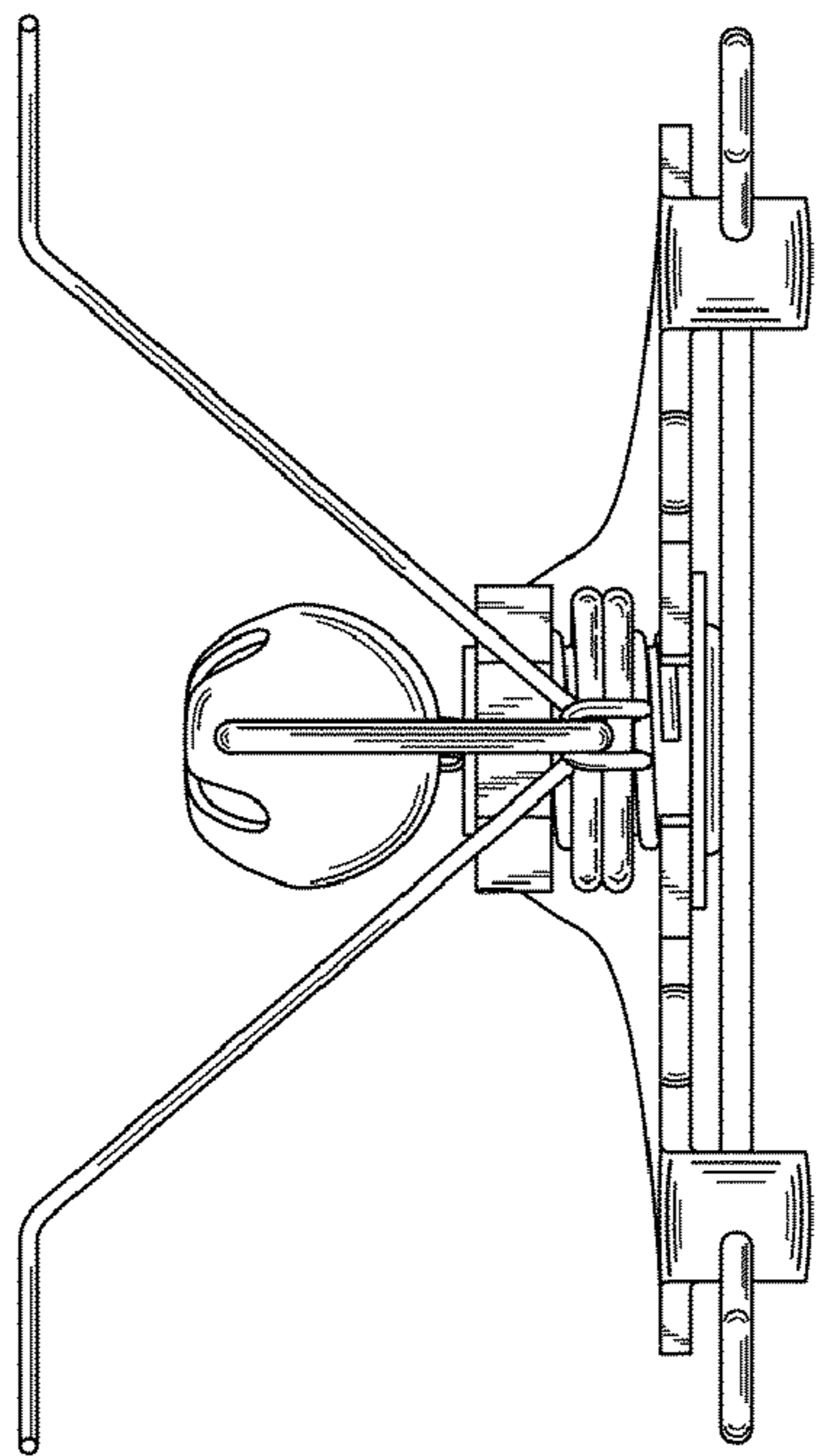


Fig. 2

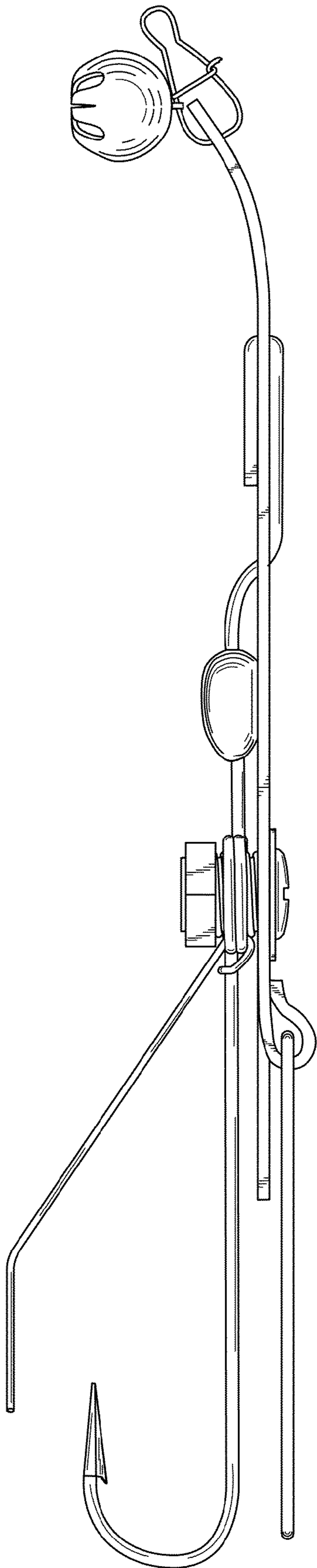


Fig. 4

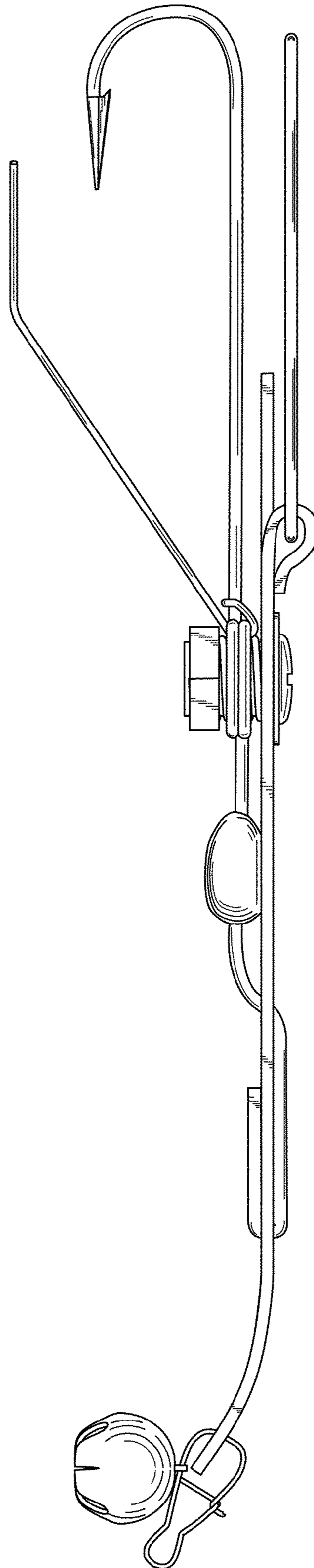


Fig. 5

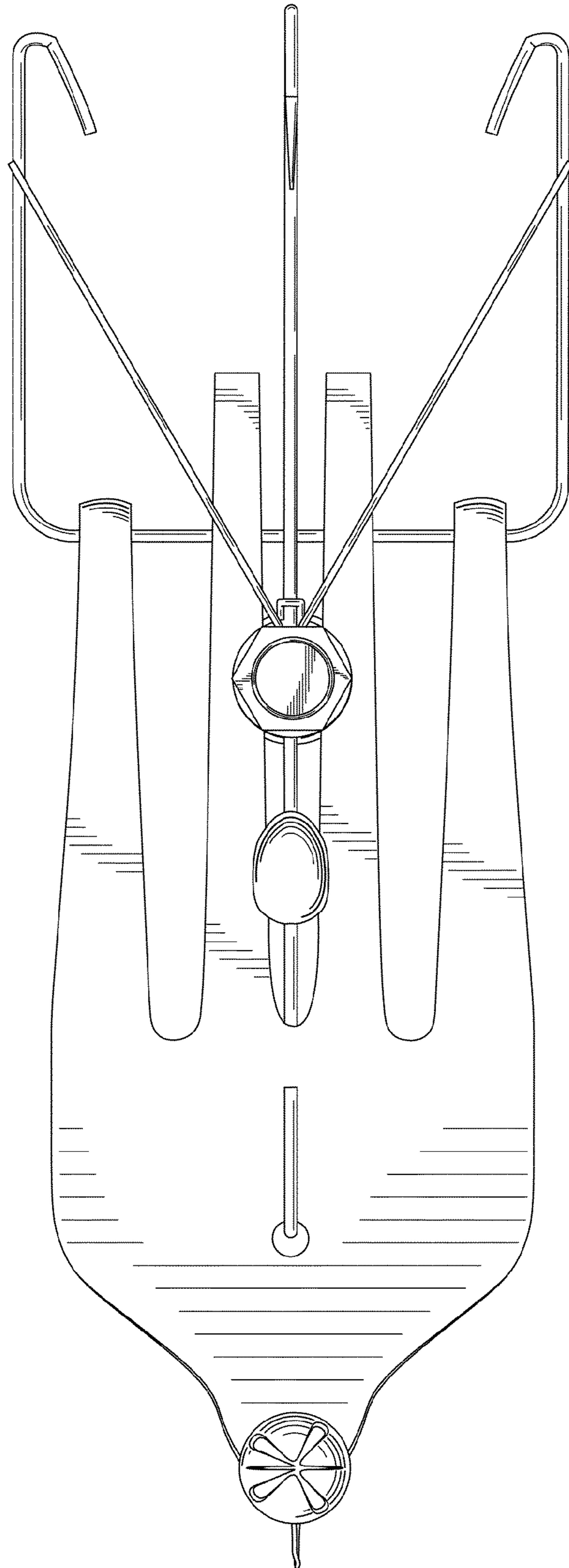


Fig. 6

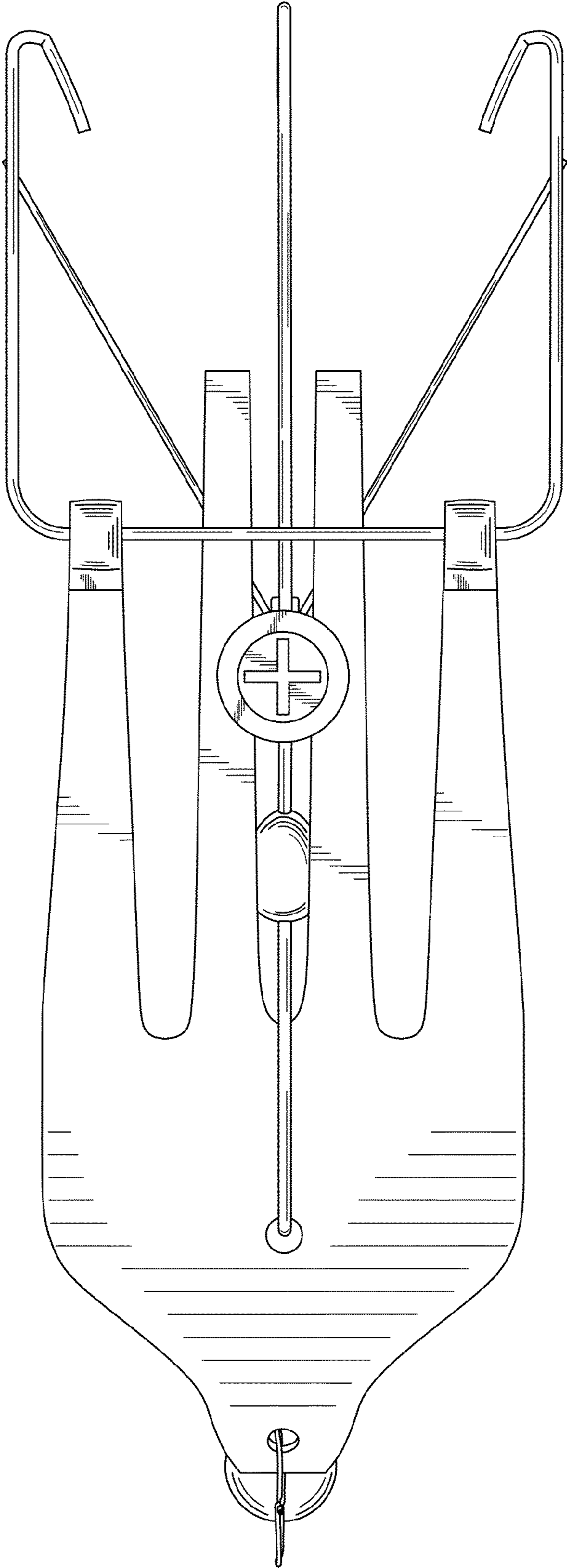


Fig. 7