



US00D630291S

(12) **United States Design Patent**
Pride

(10) **Patent No.:** **US D630,291 S**

(45) **Date of Patent:** **** *Jan. 4, 2011**

(54) **TELESCOPIC SIGHT RETICLE**

(76) Inventor: **John Pride**, 842 E. Gladstone St., La Verne, CA (US) 91750

(*) Notice: This patent is subject to a terminal disclaimer.

(**) Term: **14 Years**

(21) Appl. No.: **29/310,477**

(22) Filed: **Aug. 21, 2008**

(51) **LOC (9) Cl.** **22-01**

(52) **U.S. Cl.** **D22/109**

(58) **Field of Classification Search** D22/100, D22/108-110, 199; 42/111-113, 122, 124, 42/130, 134-145; 89/161, 41.19, 200-204; 33/227, 245, 246, 297, 298; D16/130, 132, D16/134; 235/414; 350/550; 356/21; 359/424, 359/428; 421/122

See application file for complete search history.

(56) **References Cited**

U.S. PATENT DOCUMENTS

D456,057 S * 4/2002 Smith, III D22/108
D506,520 S * 6/2005 Timm et al. D22/108
D517,153 S * 3/2006 Timm et al. D22/109

D530,775 S * 10/2006 LaCorte D22/108
D530,776 S * 10/2006 LaCorte D22/108
D542,879 S * 5/2007 Zaderey D22/109
D567,324 S * 4/2008 Pride et al. D22/109
D567,325 S * 4/2008 Pride et al. D22/109
D567,326 S * 4/2008 Pride et al. D22/109
D567,896 S * 4/2008 Pride et al. D22/109
D570,441 S * 6/2008 Pride et al. D22/109
D580,509 S * 11/2008 Peters et al. D22/108
D583,898 S * 12/2008 Peters et al. D22/109
D584,376 S * 1/2009 Peters et al. D22/108

* cited by examiner

Primary Examiner—T. Chase Nelson

Assistant Examiner—Michael A Pratt

(74) *Attorney, Agent, or Firm*—Richard L. Mikesell

(57) **CLAIM**

The ornamental design for a telescopic sight reticle, as shown and described.

DESCRIPTION

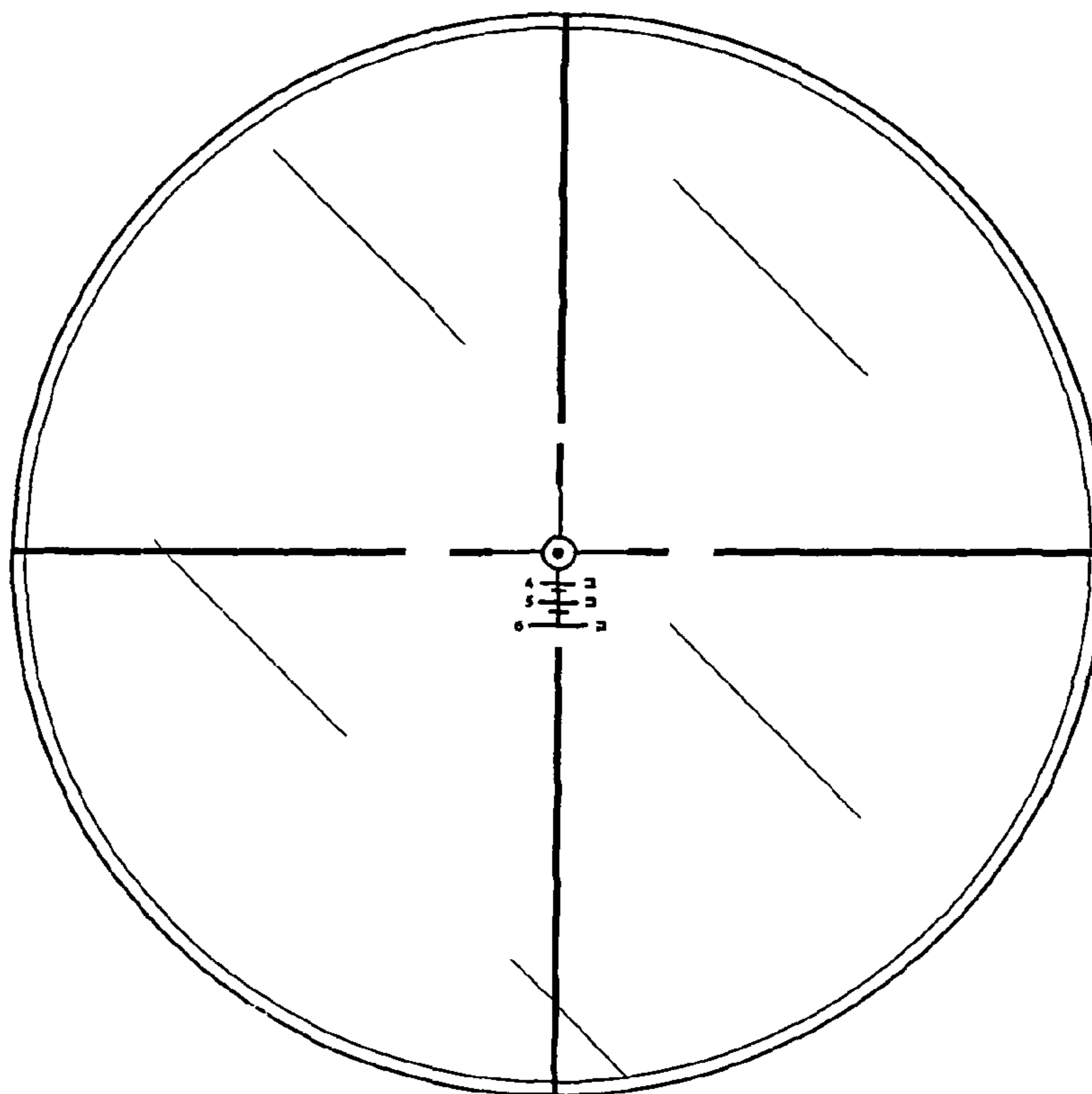
FIG. 1: Front elevation;

FIG. 2: Side view;

FIG. 3: Rear elevation; and,

FIG. 4: Top right perspective view.

1 Claim, 2 Drawing Sheets



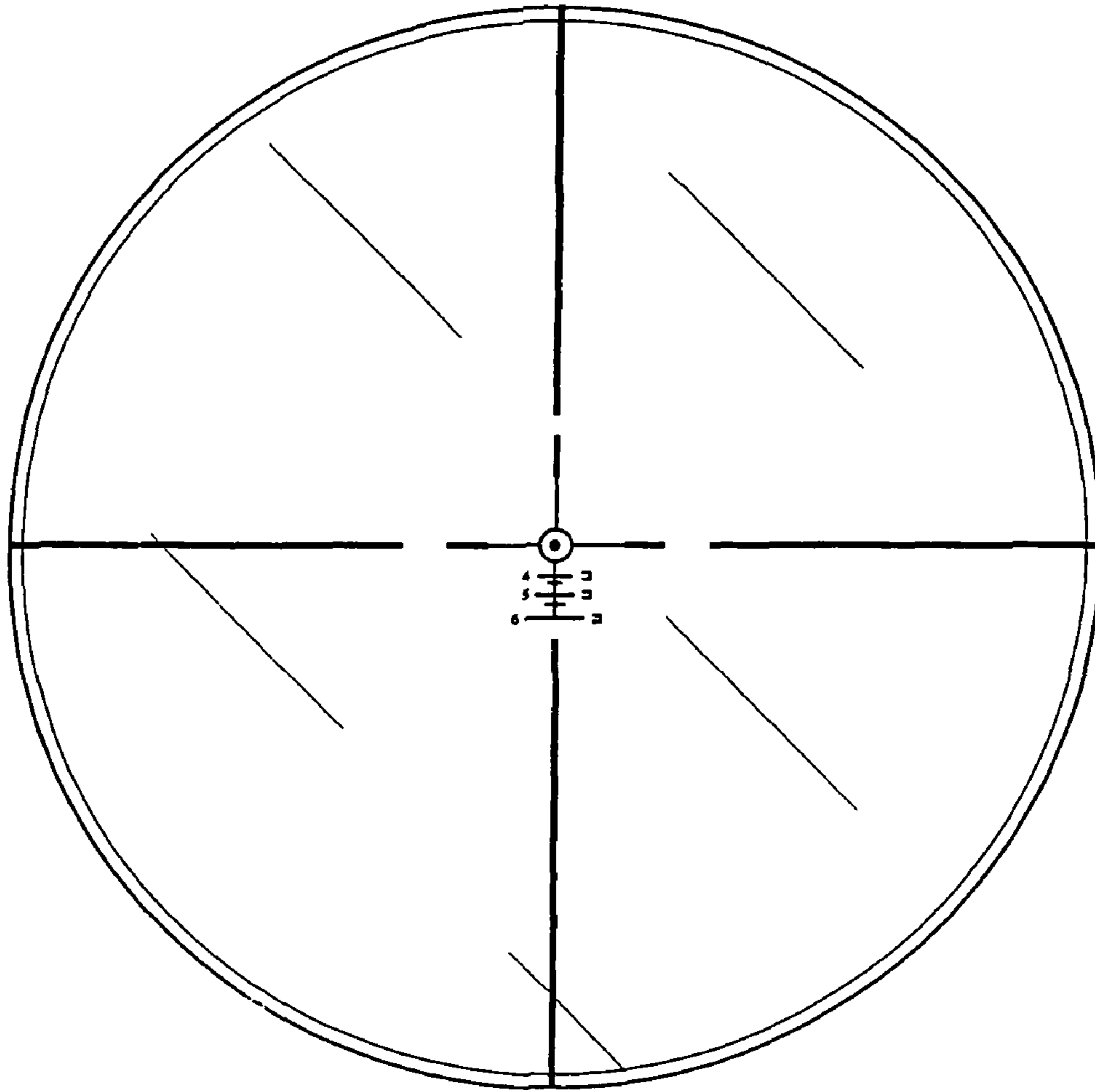


Fig. 1



Fig. 2

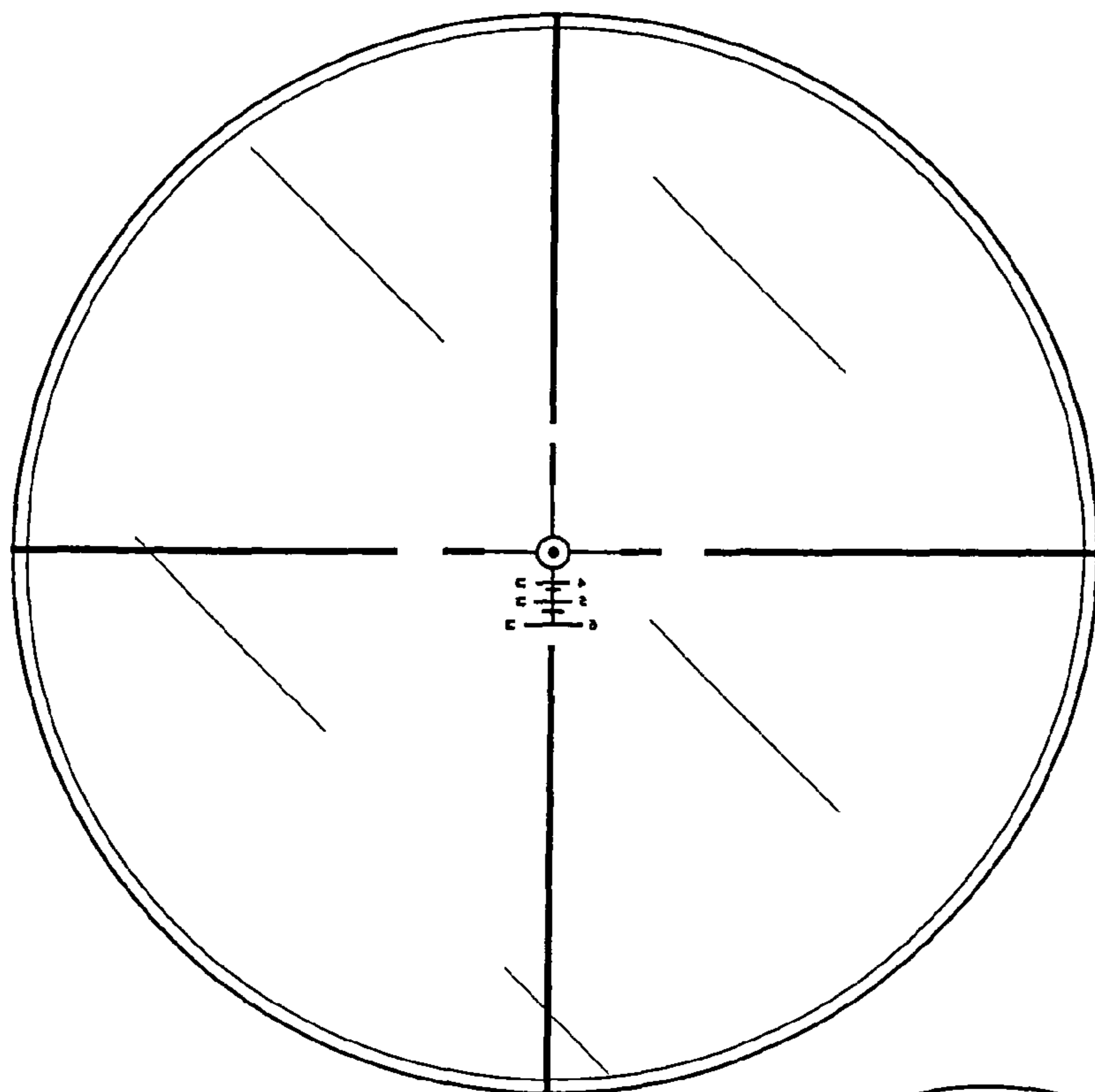


Fig. 3

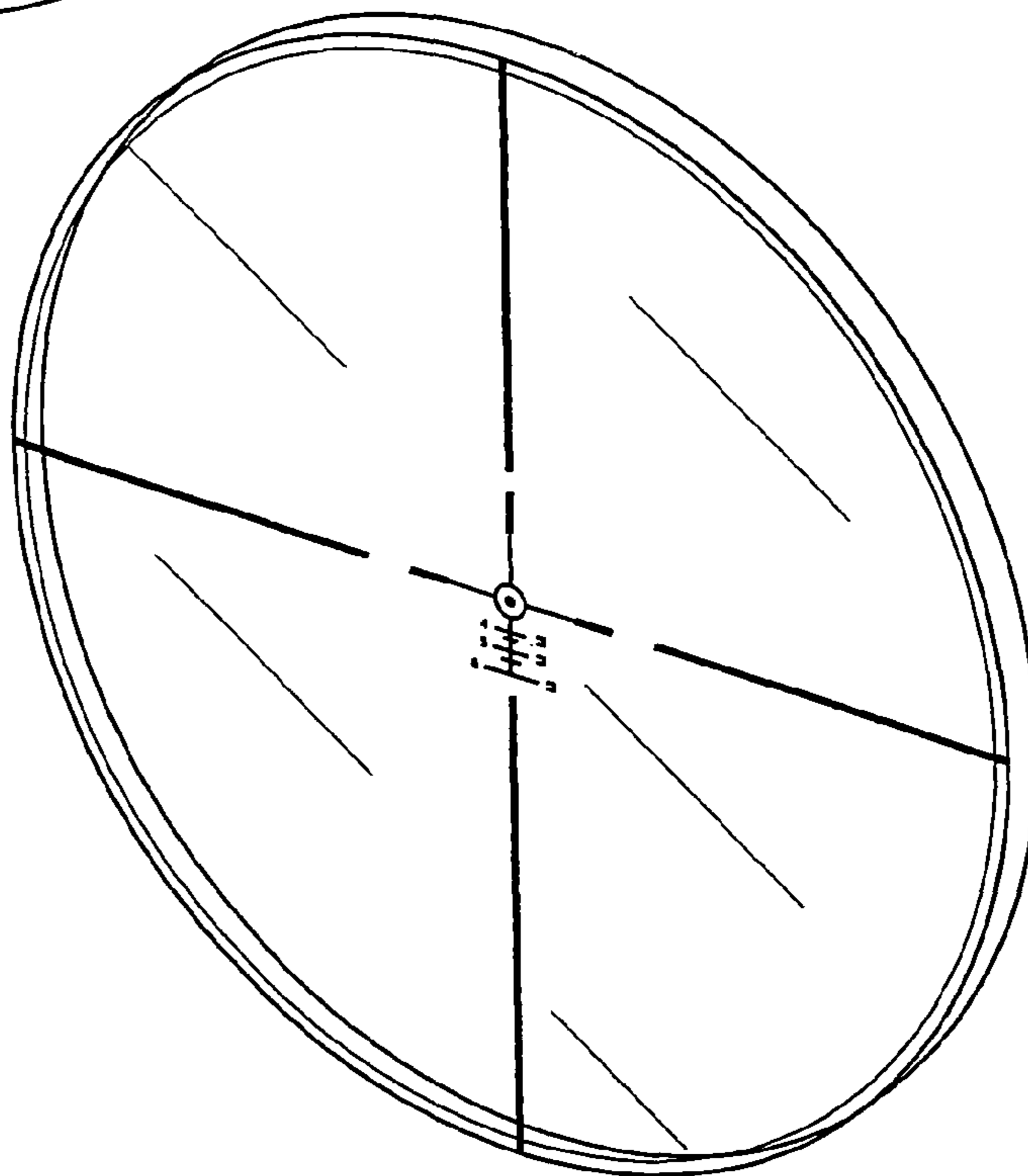


Fig. 4