



US00D630289S

(12) **United States Design Patent**  
**Stehly et al.**

(10) **Patent No.:** **US D630,289 S**  
(45) **Date of Patent:** **\*\* Jan. 4, 2011**

(54) **TENT POLE**

(75) Inventors: **Alain Stehly**, Charnay (FR); **Philippe De Conto**, Avanne (FR)

(73) Assignee: **Vitabri, Societe Anonyme**, Besancon (FR)

(\*\*) Term: **14 Years**

(21) Appl. No.: **29/353,459**

(22) Filed: **Jan. 8, 2010**

(51) **LOC (9) Cl.** ..... **21-04**

(52) **U.S. Cl.** ..... **D21/839**

(58) **Field of Classification Search** ..... D21/834,  
D21/837, 839, 840; D25/62, 66, 68, 126,  
D25/133; D8/354, 355; 135/28, 114, 121,  
135/131, 139-146, 151-153, 903, 912; 248/188.1,  
248/188.8, 188.5, 188.9, 346.01, 346.11;  
52/79.5, 79.6, 143, 169.9, 641, 643  
See application file for complete search history.

(56) **References Cited**

U.S. PATENT DOCUMENTS

2,138,033	A *	11/1938	Hale	135/114
3,833,012	A *	9/1974	McAllister	135/114
4,111,217	A *	9/1978	Victor	135/114
4,852,309	A *	8/1989	Stamp, Sr.	52/79.6
5,737,883	A *	4/1998	Rose	52/169.9
6,374,843	B1 *	4/2002	Zou	135/145
6,508,262	B1 *	1/2003	Takayama	135/145
6,718,995	B2 *	4/2004	Dotterweich	135/131

7,246,779	B2 *	7/2007	Doyle	248/188.8
7,380,563	B2 *	6/2008	Seo	135/145
7,395,830	B2 *	7/2008	Seo	135/140
7,584,763	B2 *	9/2009	Yoon	135/131
7,637,275	B2 *	12/2009	Stehly et al.	135/139
7,673,643	B2 *	3/2010	Seo	135/139
2002/0074032	A1 *	6/2002	Park et al.	135/131
2004/0129844	A1 *	7/2004	Doyle	248/188.8
2007/0012346	A1 *	1/2007	Choi	135/114

\* cited by examiner

*Primary Examiner*—Cynthia M Chin

(74) *Attorney, Agent, or Firm*—Egbert Law Offices PLLC

(57) **CLAIM**

the ornamental design for a tent pole, as shown and described.

**DESCRIPTION**

FIG. 1 is an upper perspective view of the tent pole showing my design.

FIG. 2 is a front elevation view thereof;

FIG. 3 is a back elevation view thereof;

FIG. 4 is a top plan view thereof;

FIG. 5 is a bottom plan view thereof;

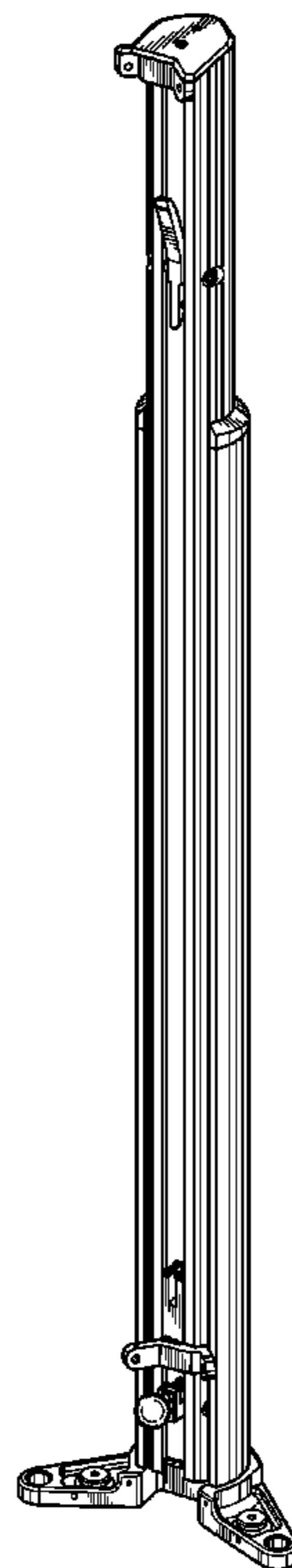
FIG. 6 is a side elevation view thereof; and,

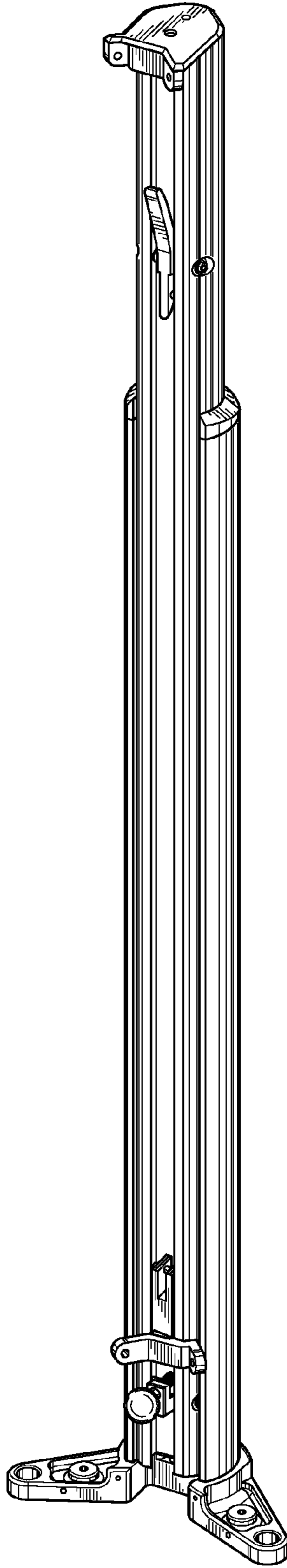
FIG. 7 is an opposite side view thereof.

The tent pole of the present design is used on an outer periphery of a tent, supporting a frame.

The tent pole of the present design is not a center pole.

**1 Claim, 3 Drawing Sheets**





*FIG. 1*

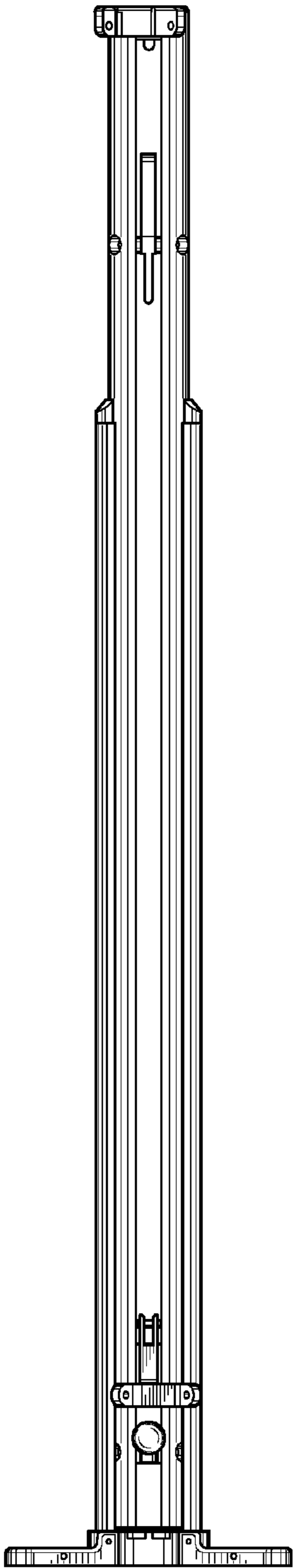


FIG. 2

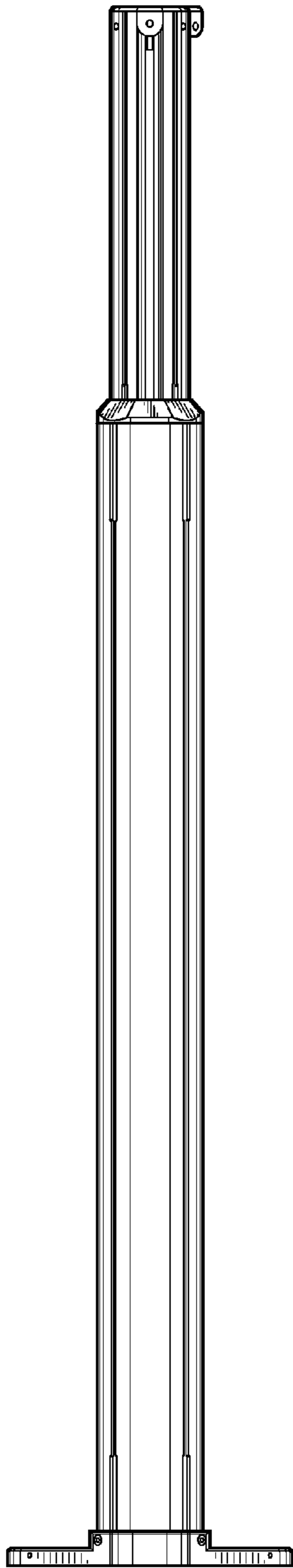


FIG. 3

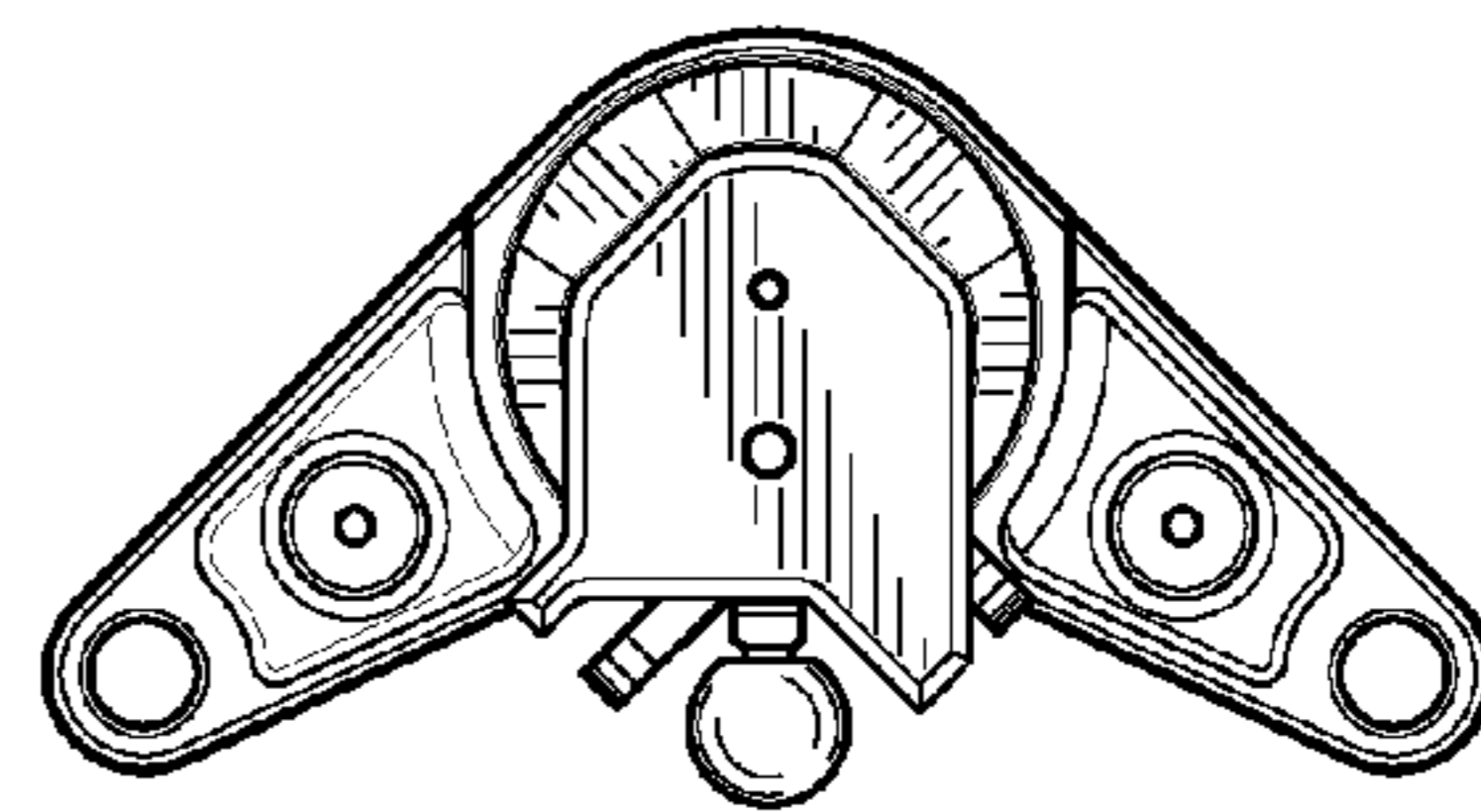


FIG. 4

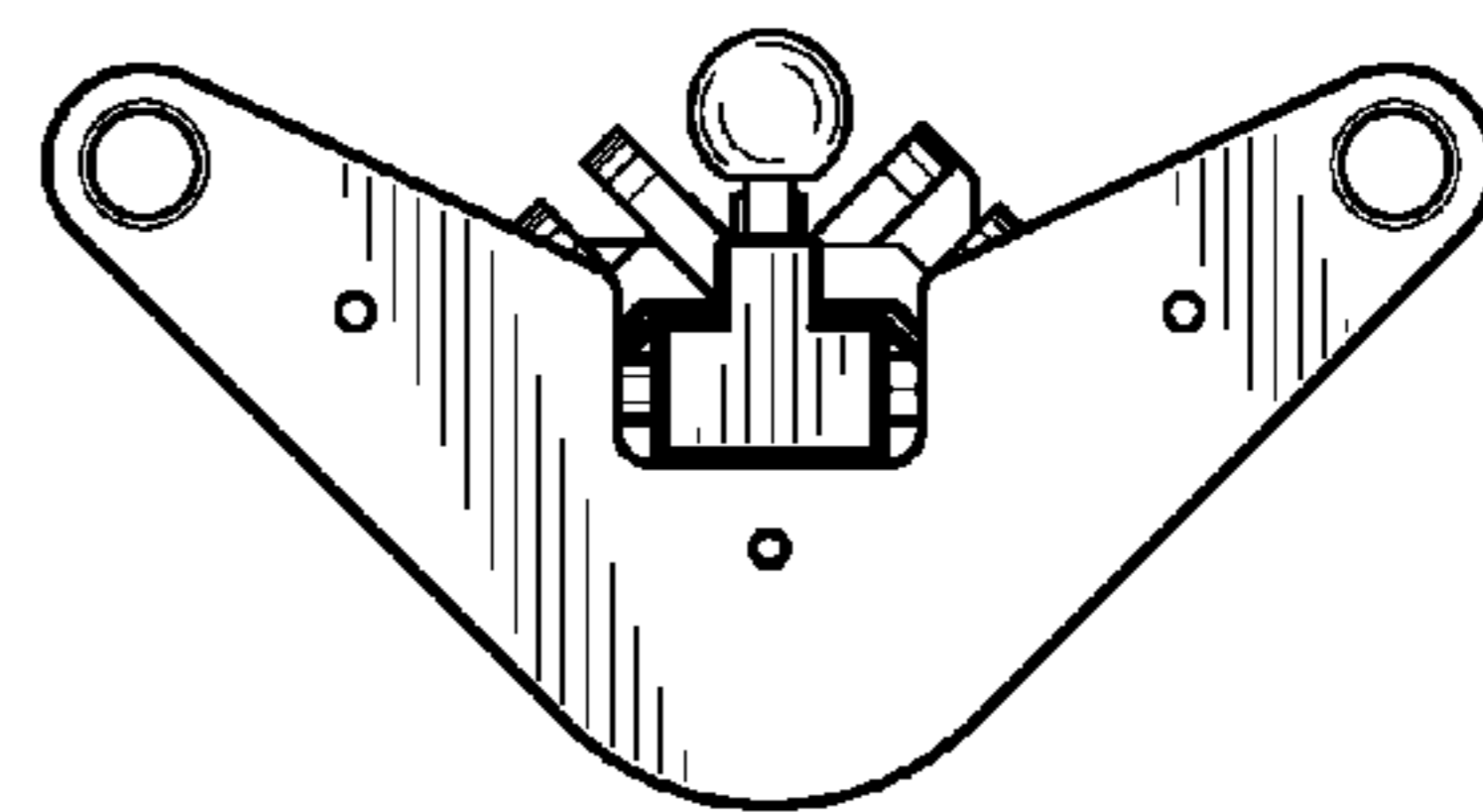


FIG. 5

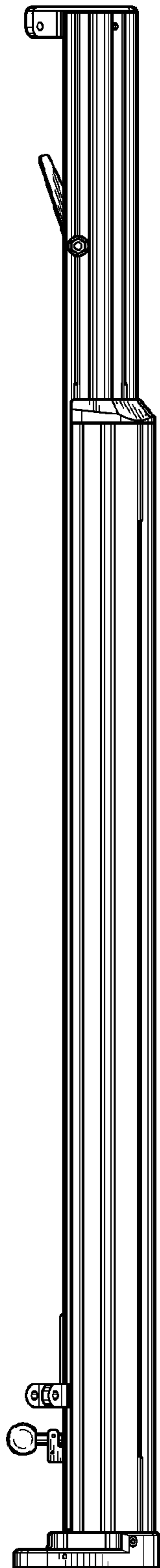


FIG. 6

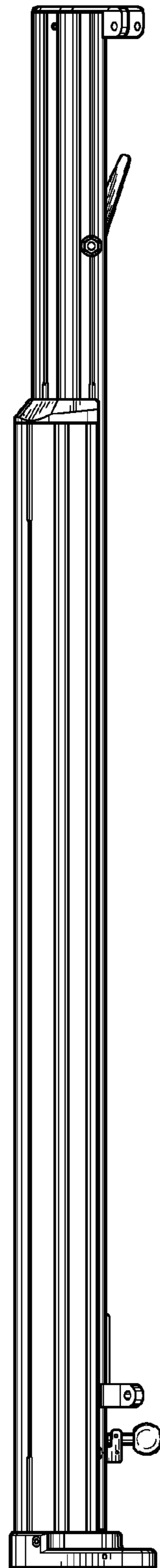


FIG. 7