

US00D630288S

(12) **United States Design Patent**
Grazioso

(10) **Patent No.:** **US D630,288 S**
(45) **Date of Patent:** **** Jan. 4, 2011**

(54) **TENT**
(75) Inventor: **Luca Grazioso**, Frazione Sant'Atto (IT)
(73) Assignee: **Corradi S.p.A.**, Bologna (IT)
(**) Term: **14 Years**
(21) Appl. No.: **29/311,848**
(22) Filed: **Jul. 13, 2009**
(30) **Foreign Application Priority Data**
Jan. 21, 2009 (EM) 001073191

(51) **LOC (9) Cl.** **21-04**
(52) **U.S. Cl.** **D21/837**
(58) **Field of Classification Search** D21/834-839;
D25/16, 18, 21, 26, 32, 56; 135/5.2, 87,
135/90, 95, 115, 117, 121, 122, 123, 124-128,
135/137, 156, 900, 902; 52/18, 86, 222
See application file for complete search history.

(56) **References Cited**

U.S. PATENT DOCUMENTS

D187,522 S * 3/1960 Hinsch D25/56
2,928,405 A * 3/1960 Lawson 135/95
D193,054 S * 6/1962 Noyes D25/26
4,062,146 A * 12/1977 Grossman et al. 135/90
D249,557 S * 9/1978 Barr D25/21
D280,343 S * 8/1985 Schultz D25/56
4,860,504 A * 8/1989 Lawrence 135/123
D316,288 S * 4/1991 Lynch D21/837
D337,144 S * 7/1993 Spaulding D21/837
5,274,980 A * 1/1994 Zeigler 135/123
D361,363 S * 8/1995 Sandberg et al. D21/837
5,437,298 A * 8/1995 Lin 135/117
D365,884 S * 1/1996 Dennis D25/56
D375,800 S * 11/1996 Wagner D25/56
D376,636 S * 12/1996 Betz D21/834
5,778,613 A * 7/1998 Thomson 135/115

D454,645 S * 3/2002 Phifer D25/56
D470,560 S * 2/2003 Han D21/837
D482,798 S * 11/2003 Wang D25/56
D483,498 S * 12/2003 Wang D25/56
6,923,195 B2 * 8/2005 Tseng 135/122
D578,597 S * 10/2008 Dalland et al. D21/837

* cited by examiner

Primary Examiner—Cynthia M Chin

(74) *Attorney, Agent, or Firm*—Modiano & Associati; Albert Josif; Daniel J. O'Byrne

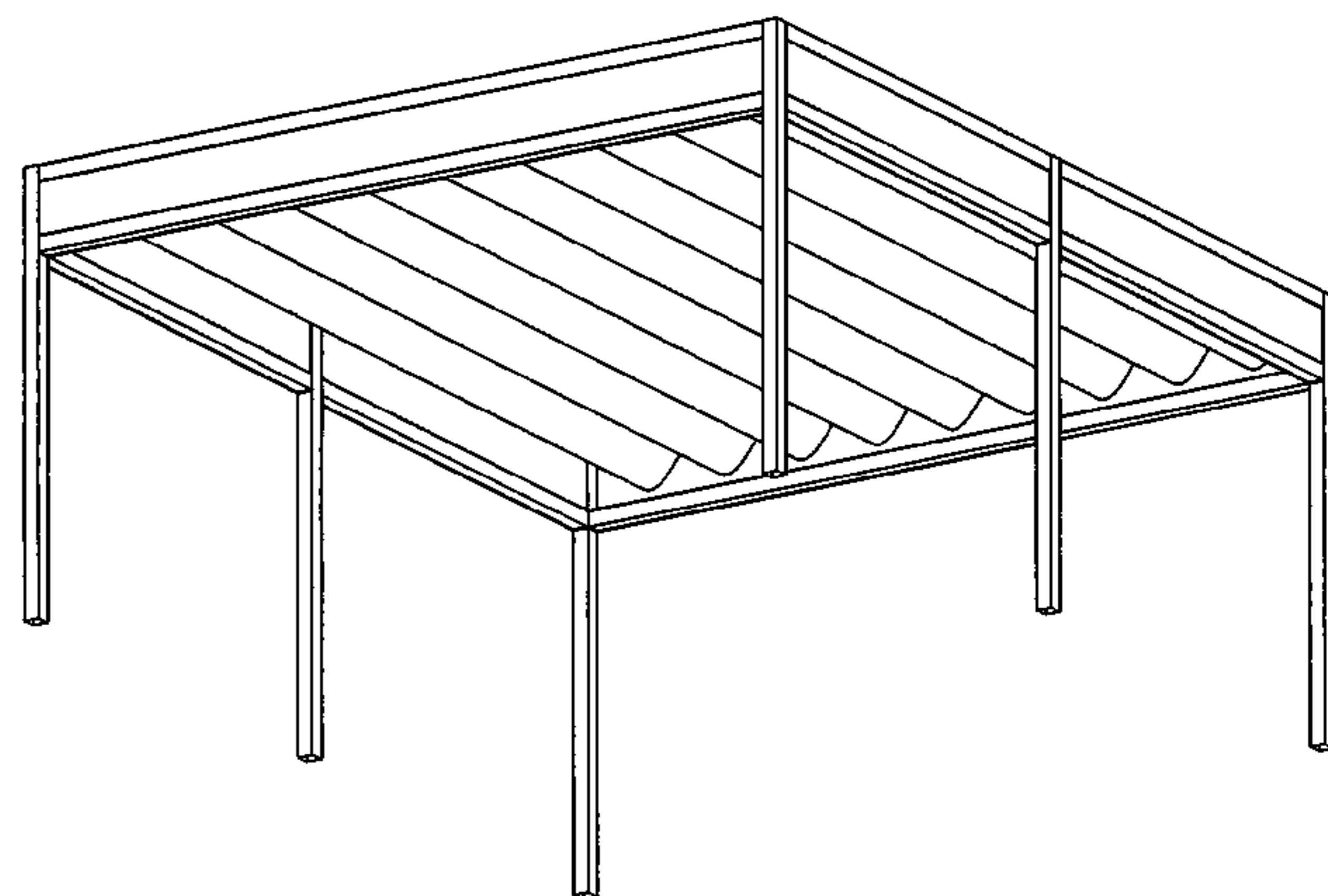
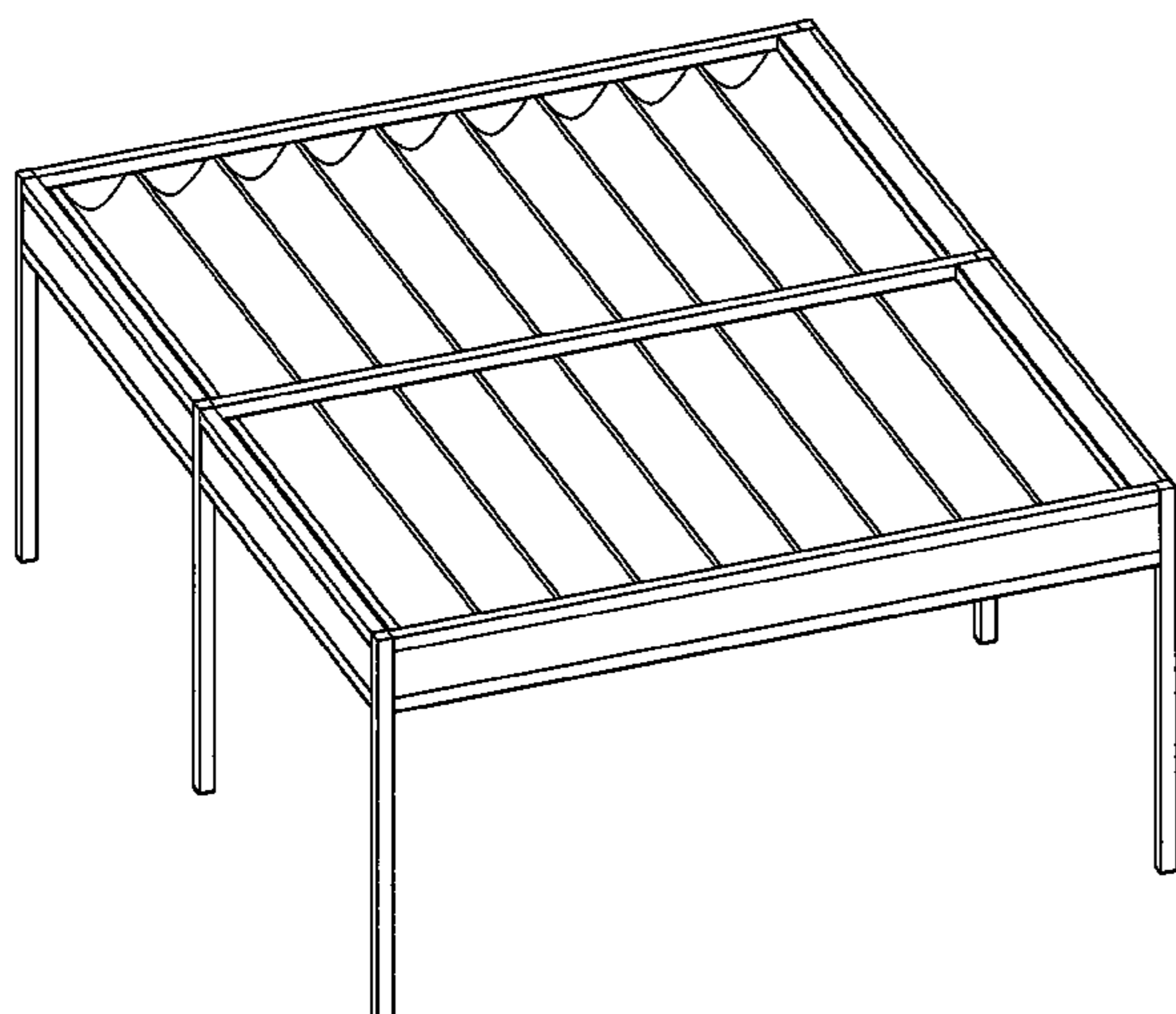
(57) **CLAIM**

The ornamental design for a tent, as shown.

DESCRIPTION

FIG. 1 is a perspective view of a tent showing my new design;
FIG. 2 is a front view thereof;
FIG. 3 is a rear view thereof;
FIG. 4 is a left side view thereof;
FIG. 5 is a right side view thereof;
FIG. 6 is a top view thereof;
FIG. 7 is a bottom view thereof;
FIG. 8 is a further perspective view thereof;
FIG. 9 is a perspective view of the tent in a second embodiment;
FIG. 10 is a front view thereof;
FIG. 11 is a rear view thereof;
FIG. 12 is a left side view thereof;
FIG. 13 is a right side view thereof;
FIG. 14 is a top view thereof;
FIG. 15 is a bottom view thereof; and,
FIG. 16 is a further perspective view thereof.

1 Claim, 12 Drawing Sheets



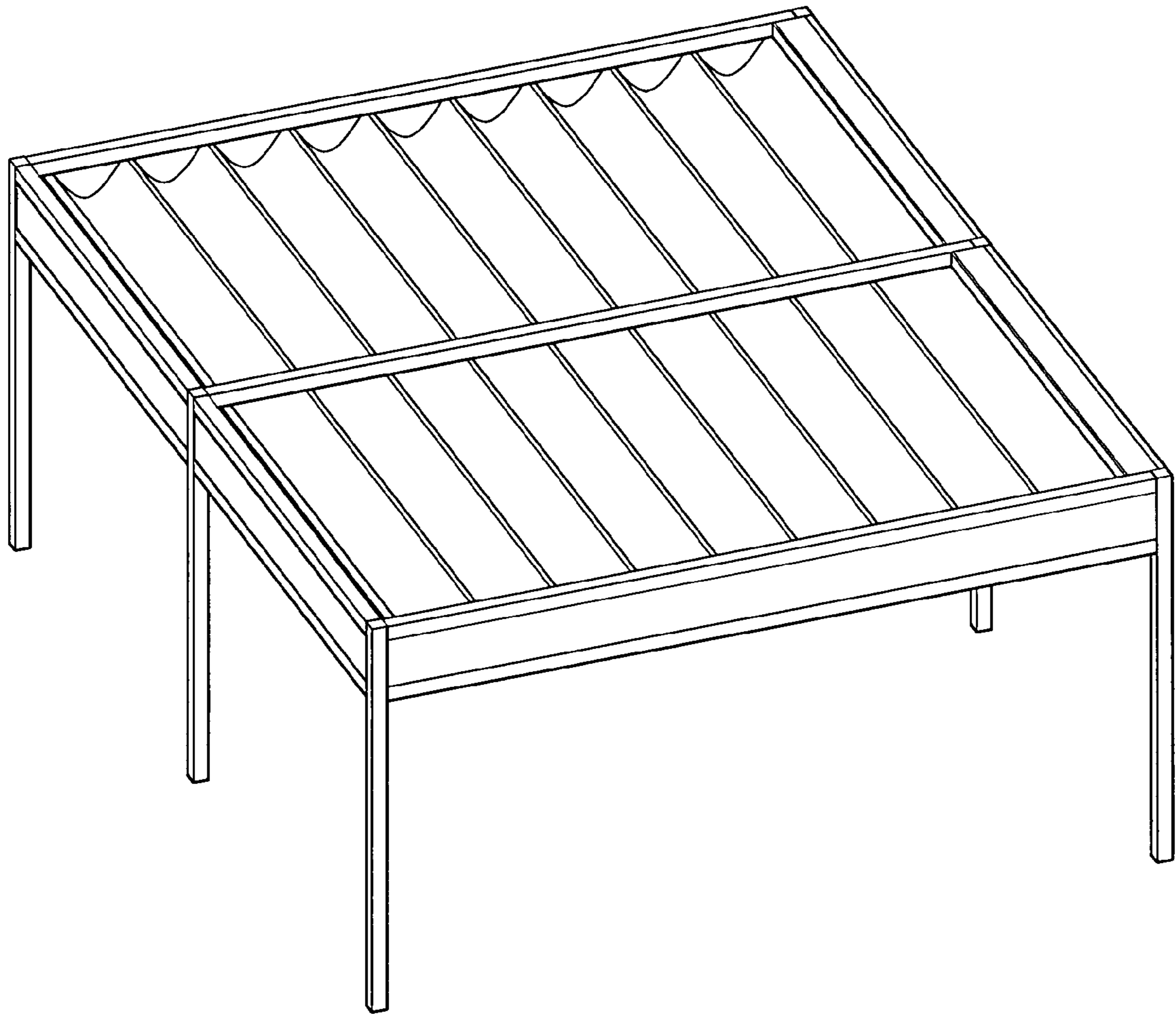


Fig. 1

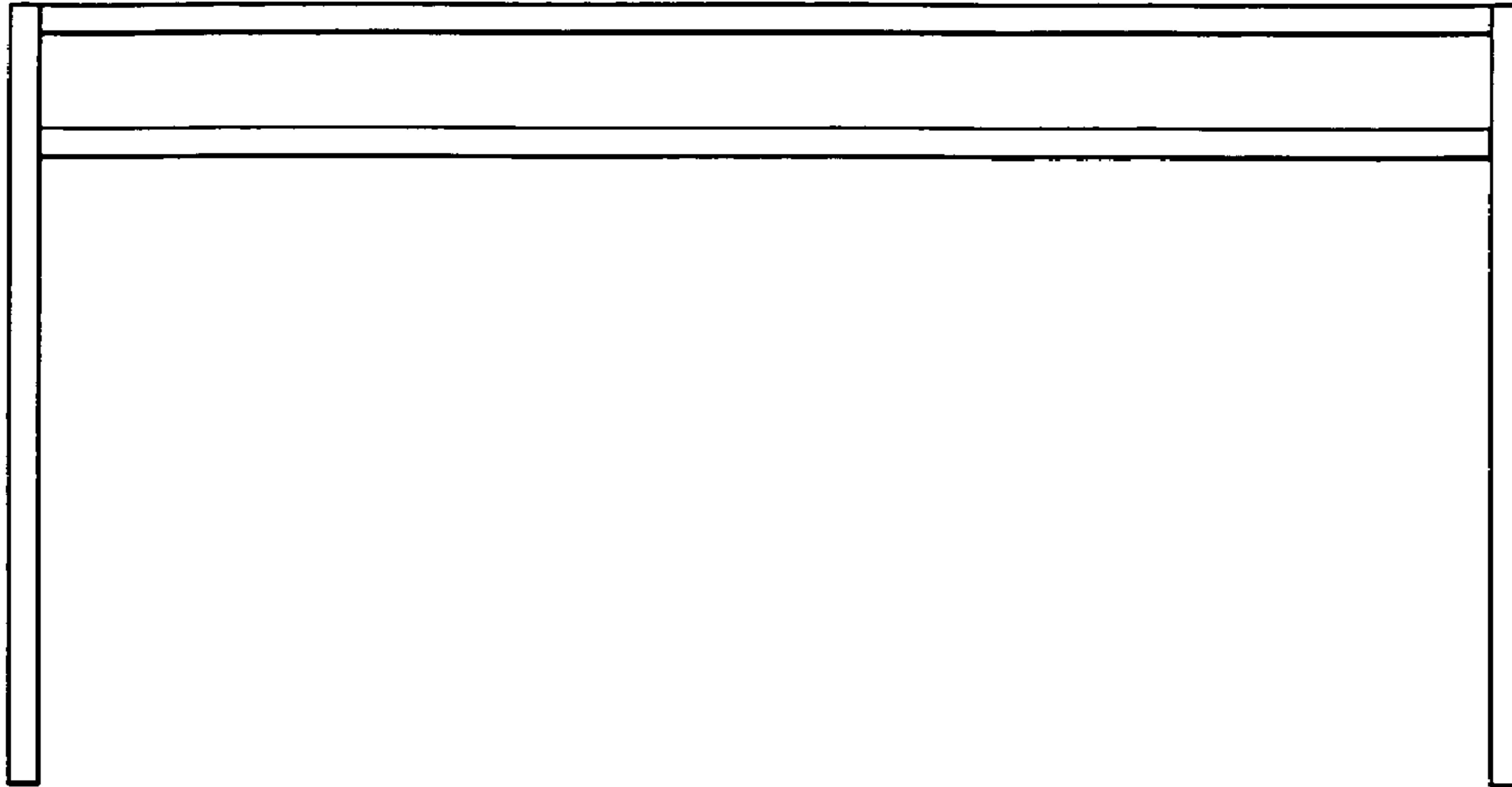


Fig. 2

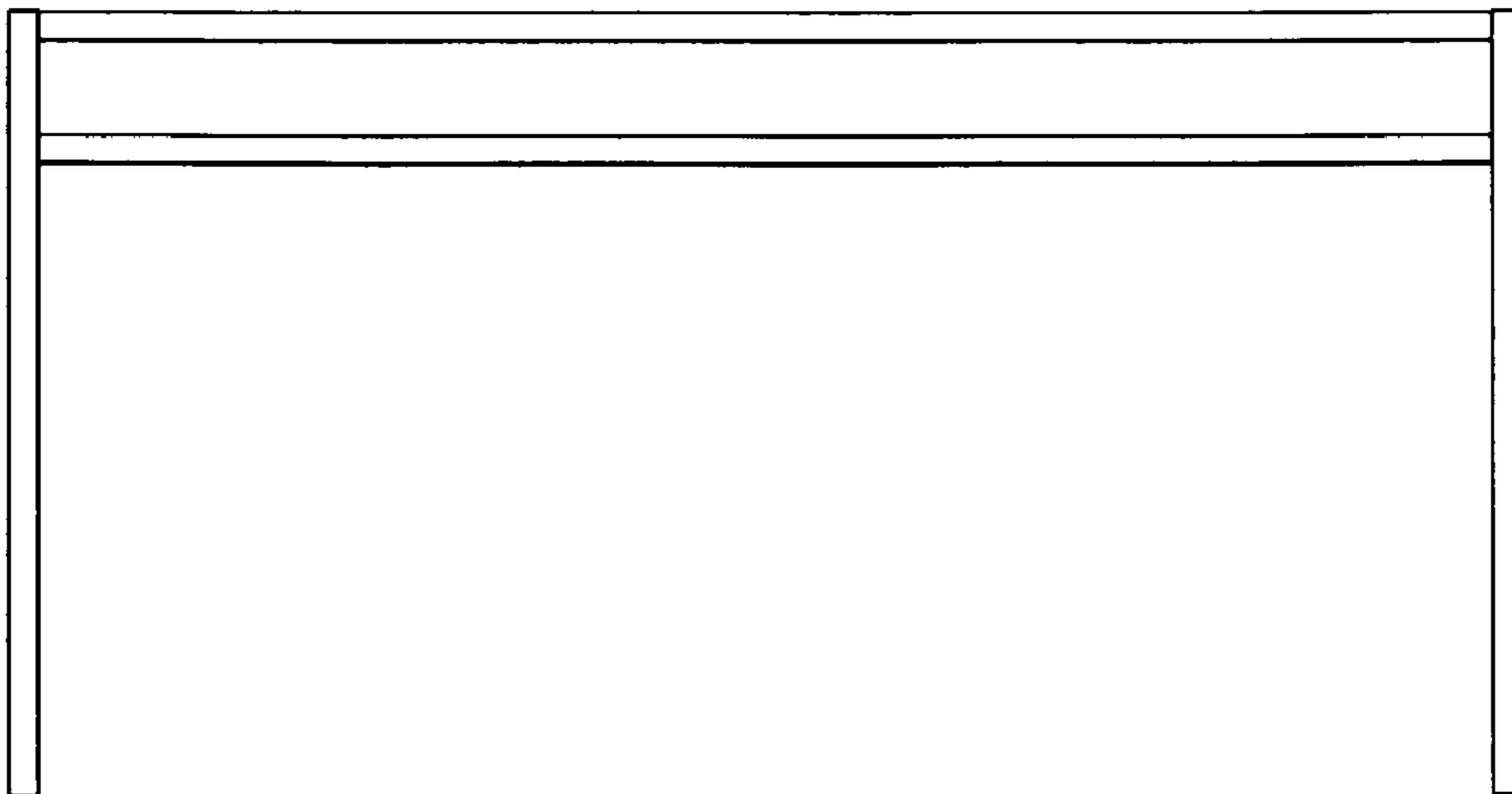


Fig. 3

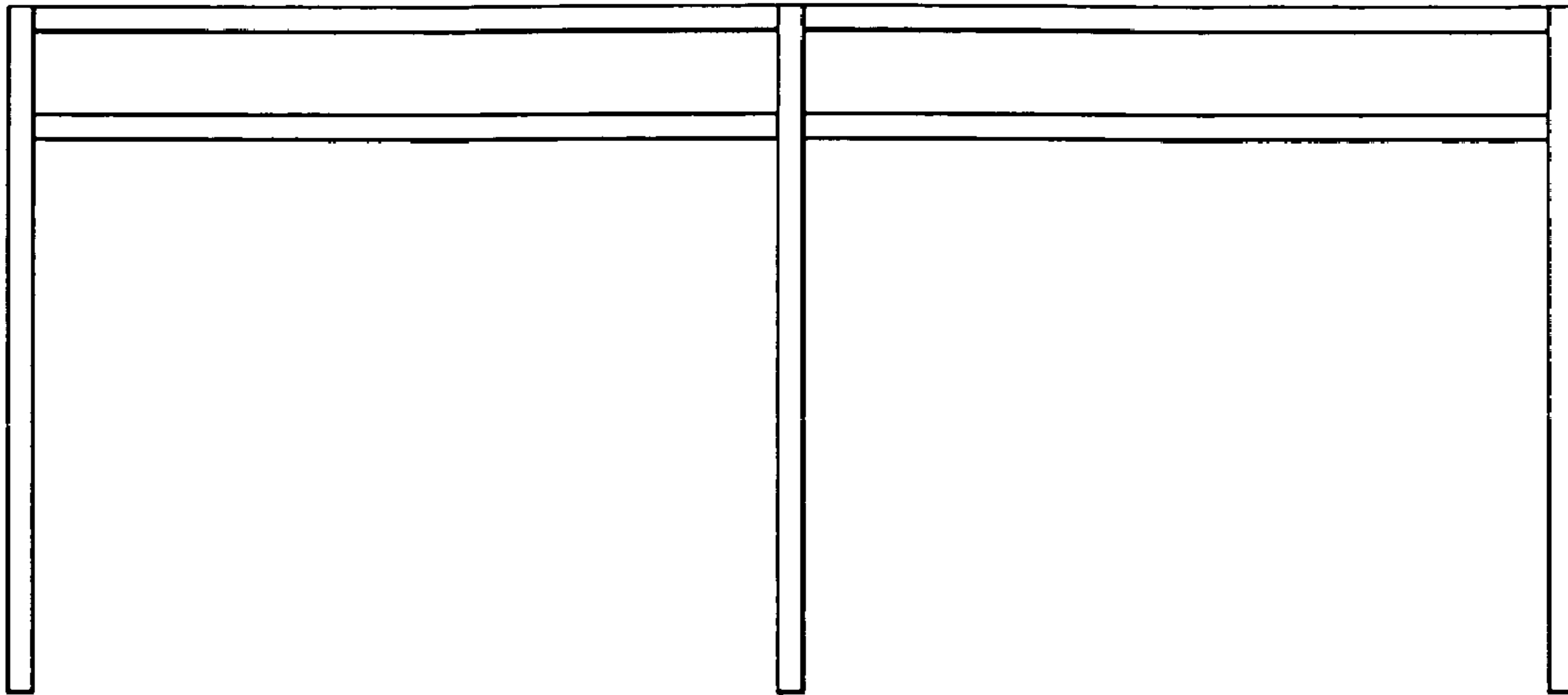


Fig. 4

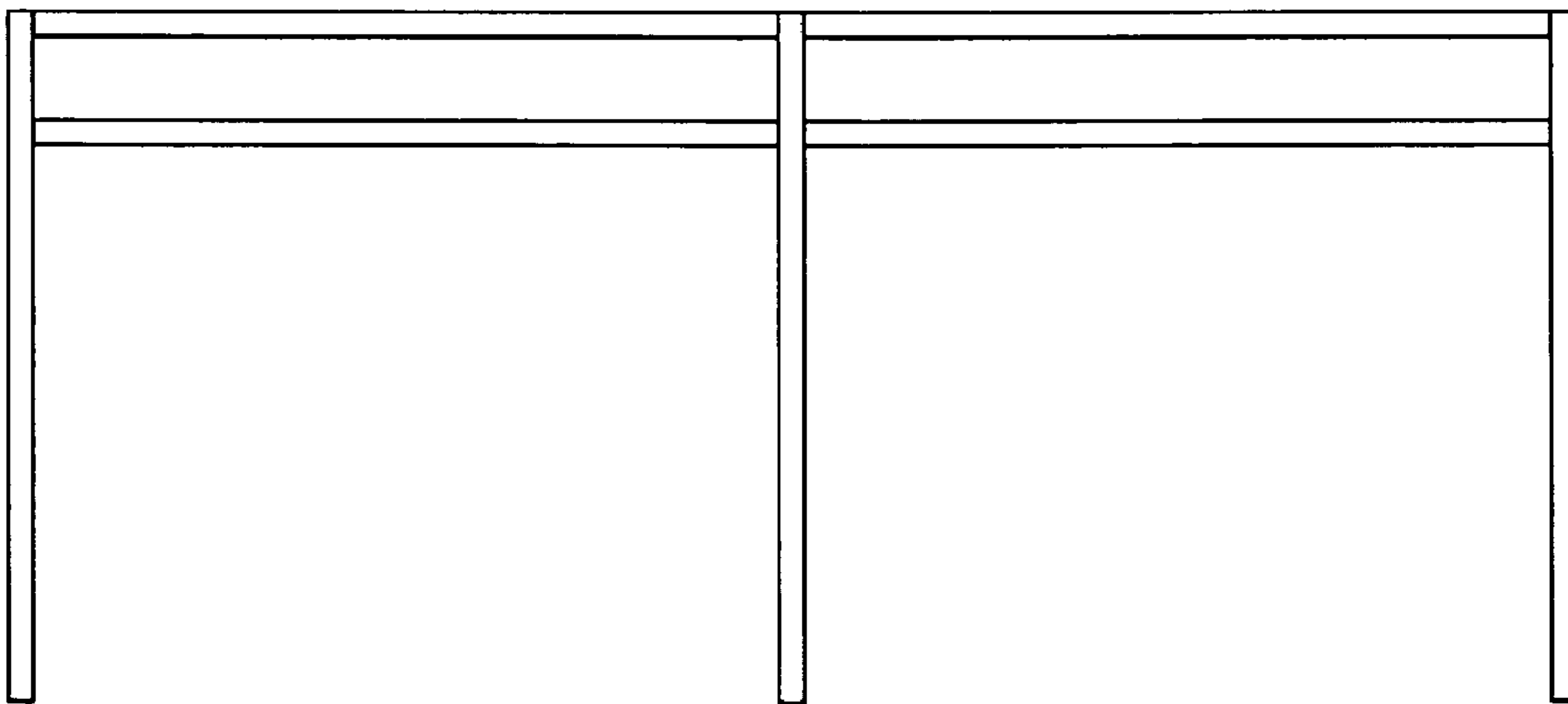


Fig. 5

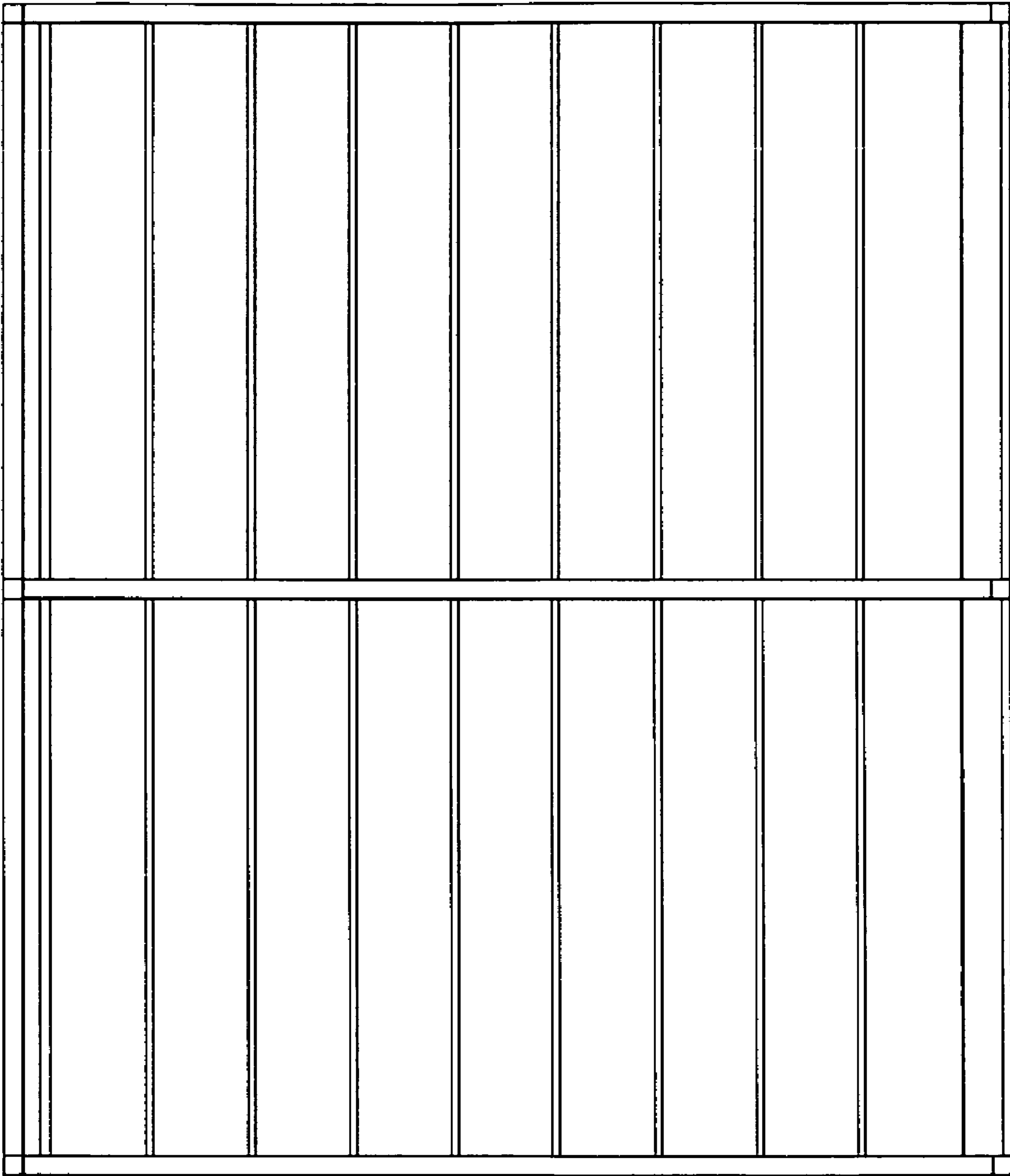


Fig. 6

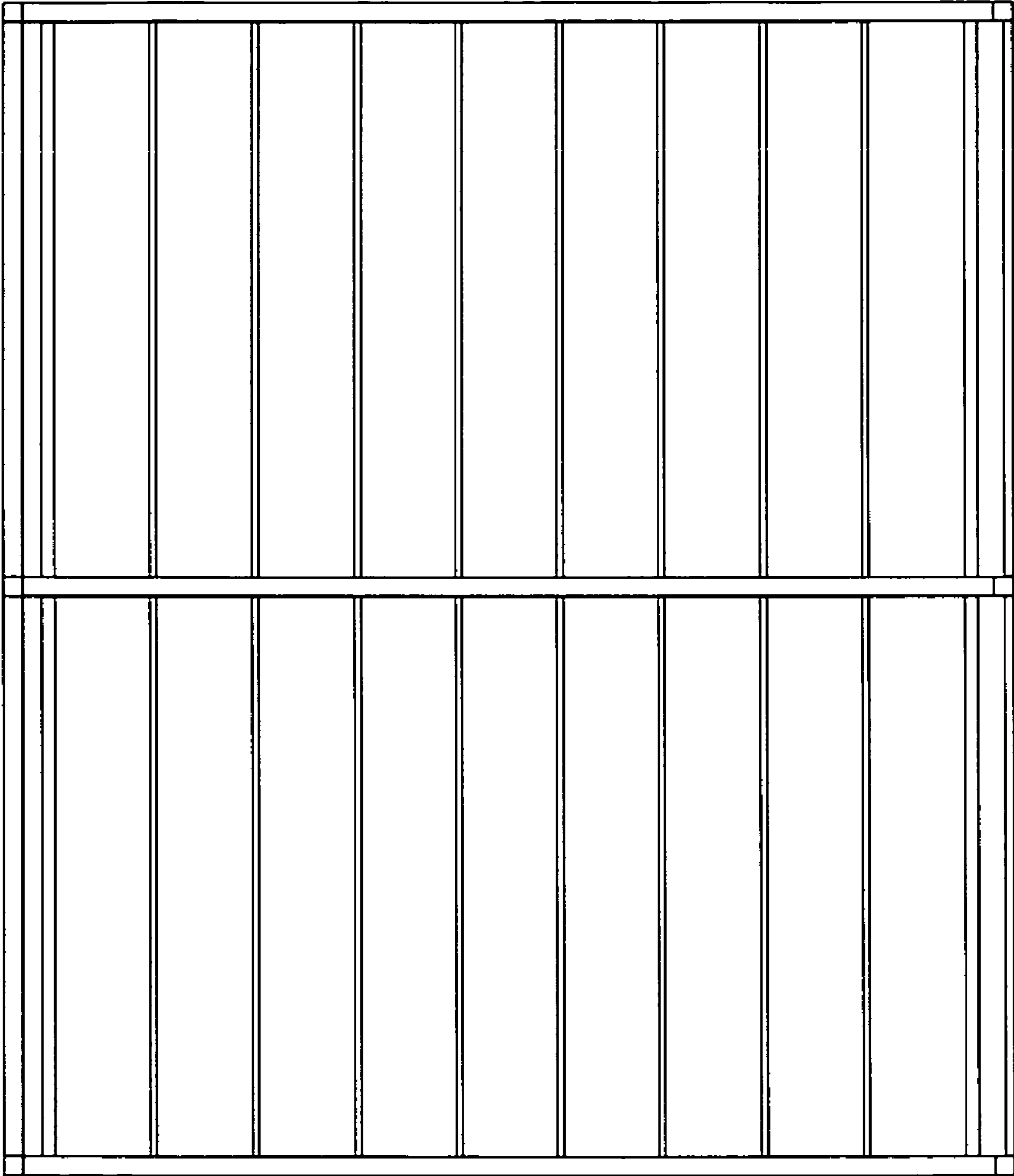


Fig. 7

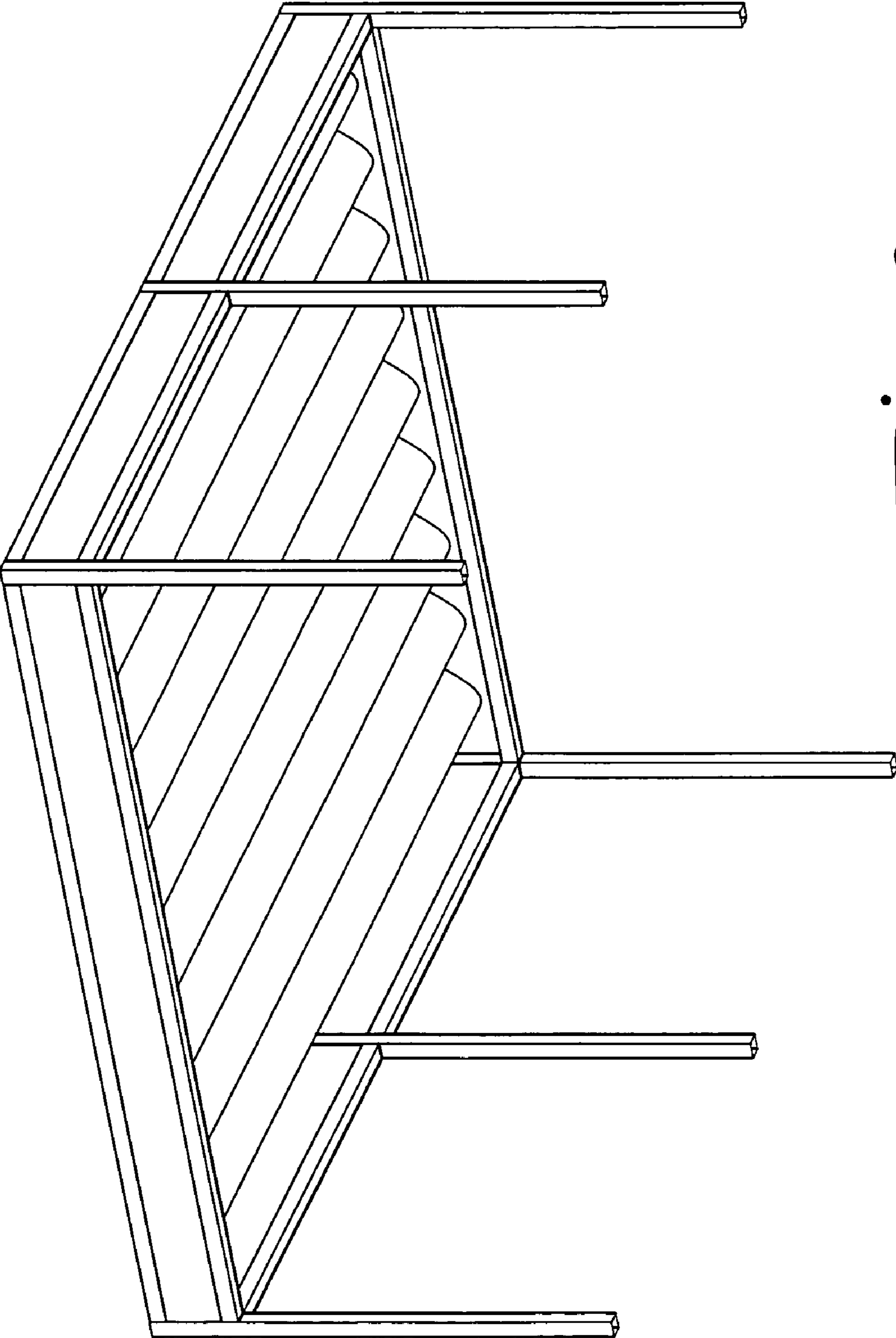


Fig. 8

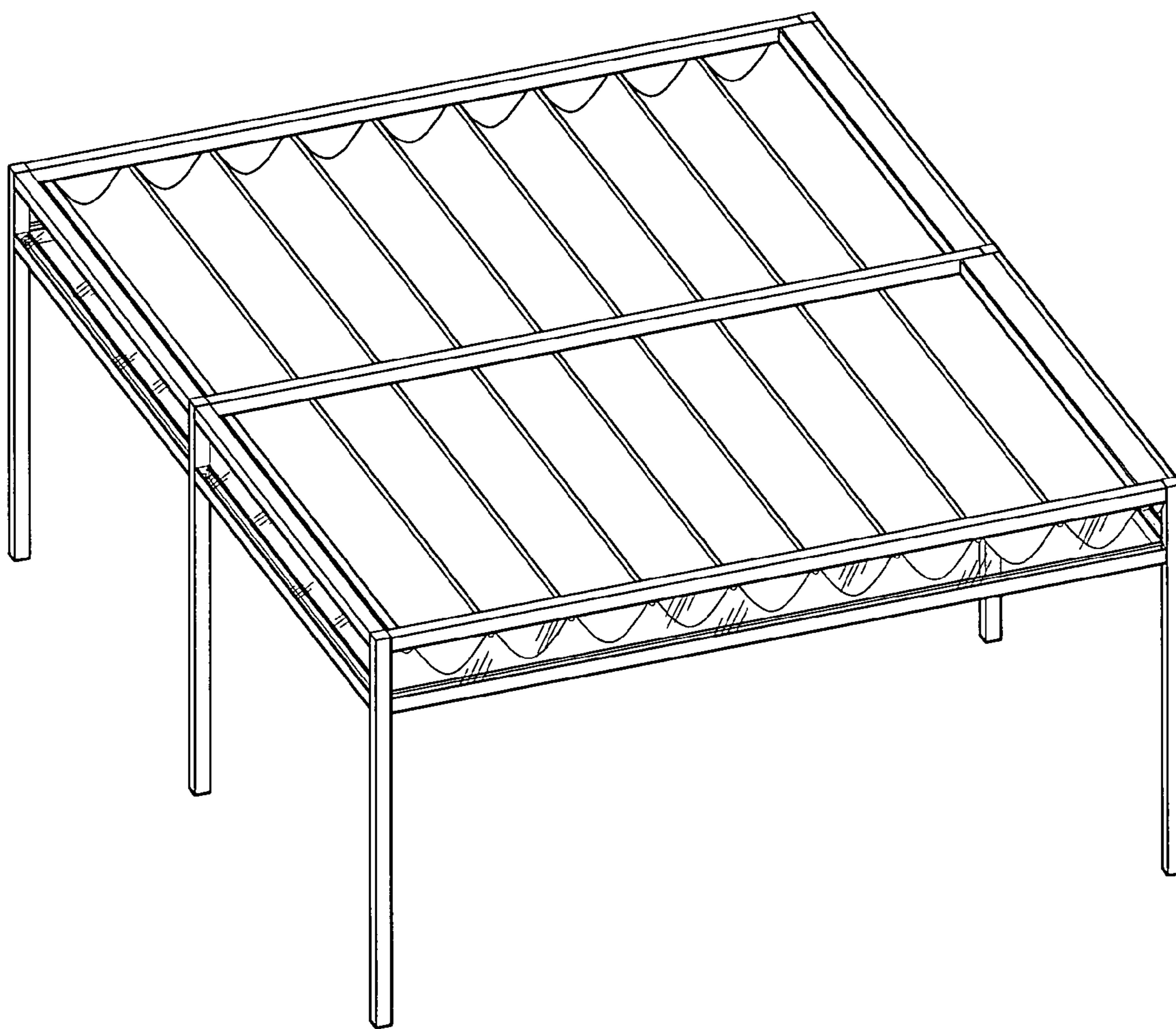


Fig. 9

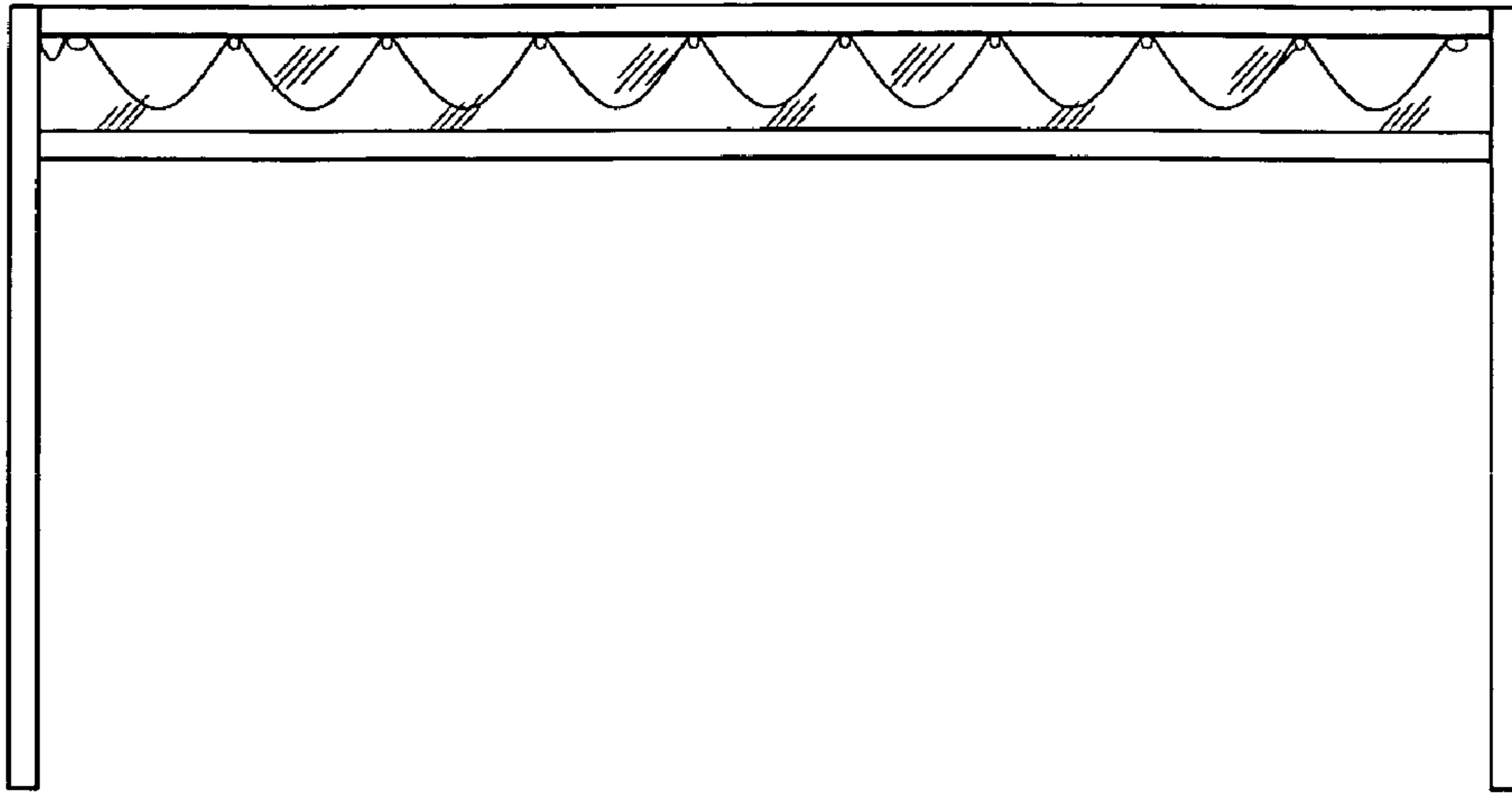


Fig. 10

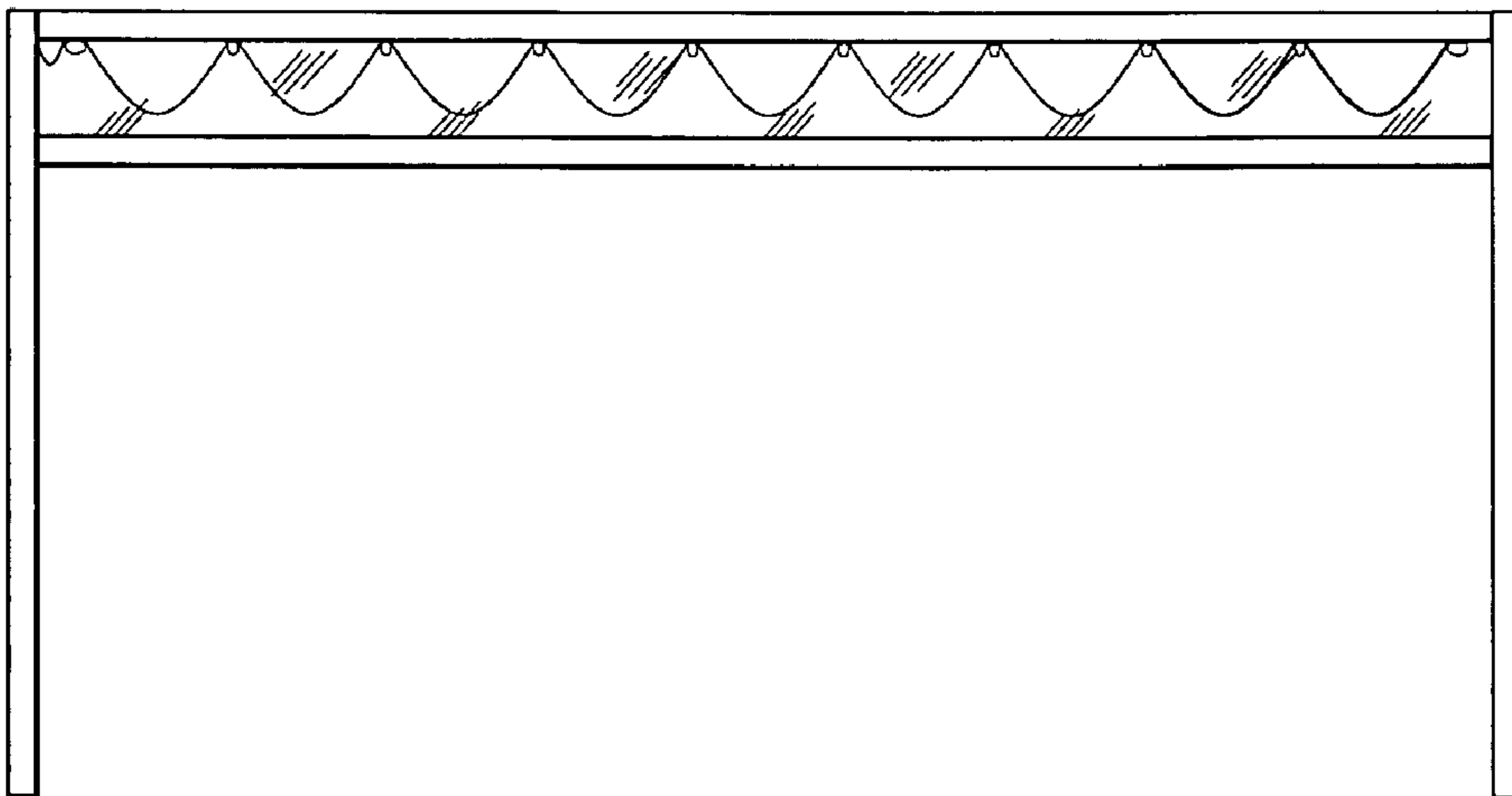


Fig. 11

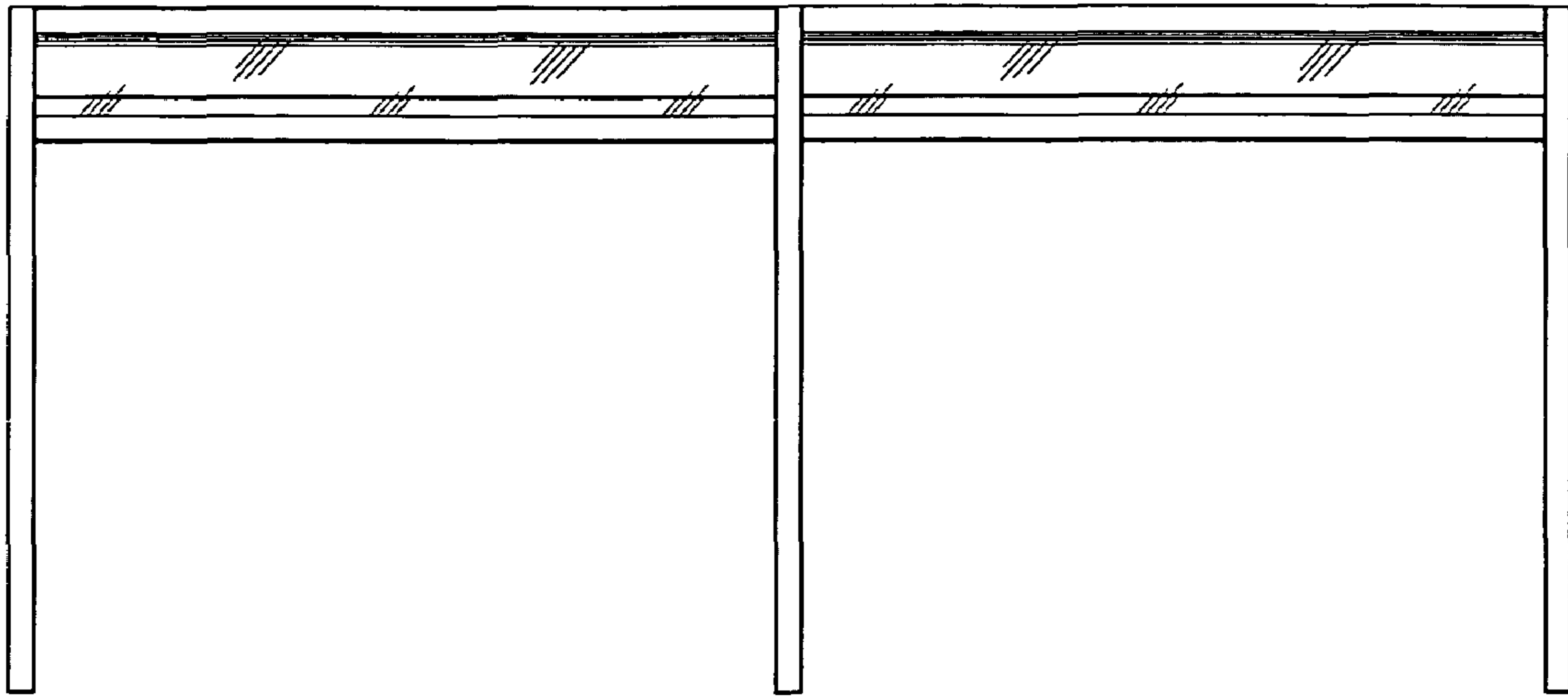


Fig. 12

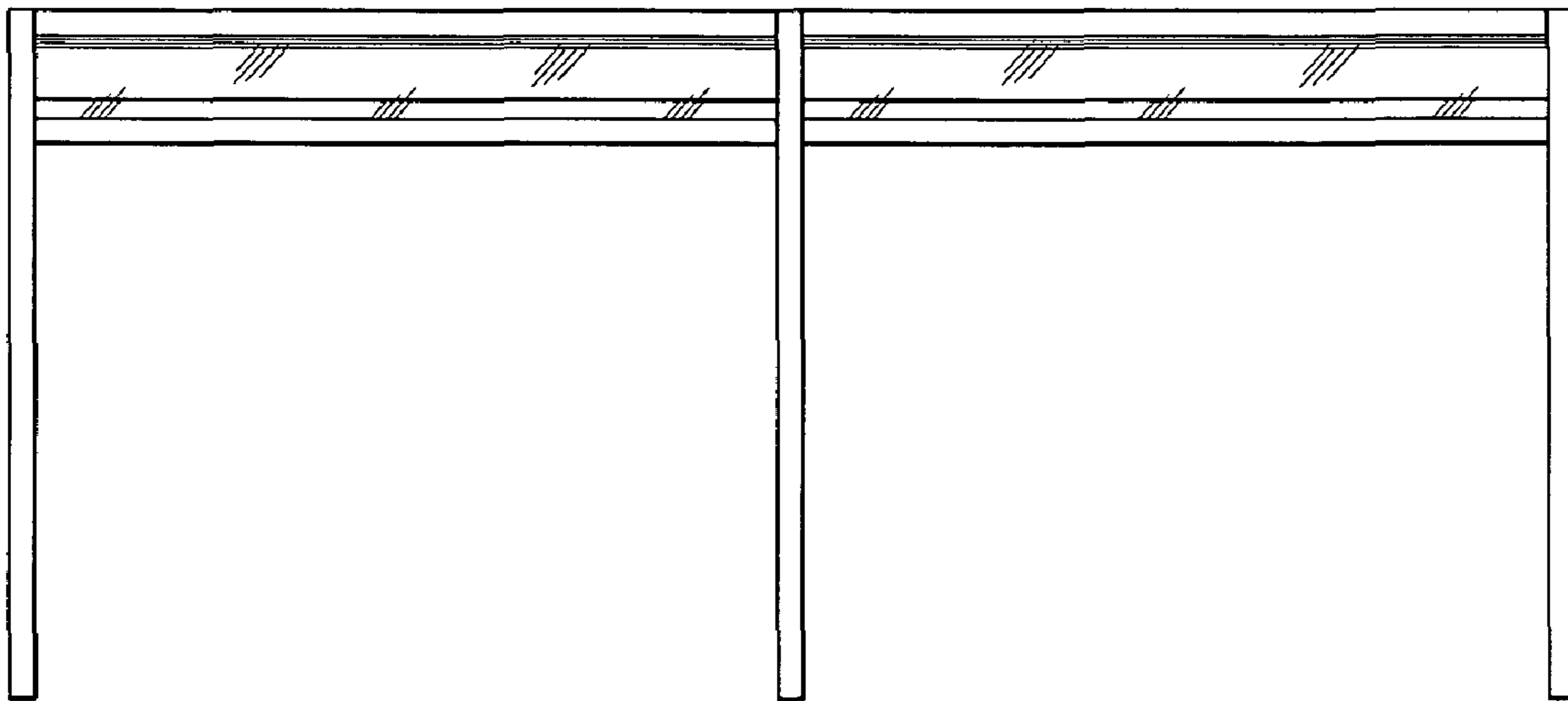


Fig. 13

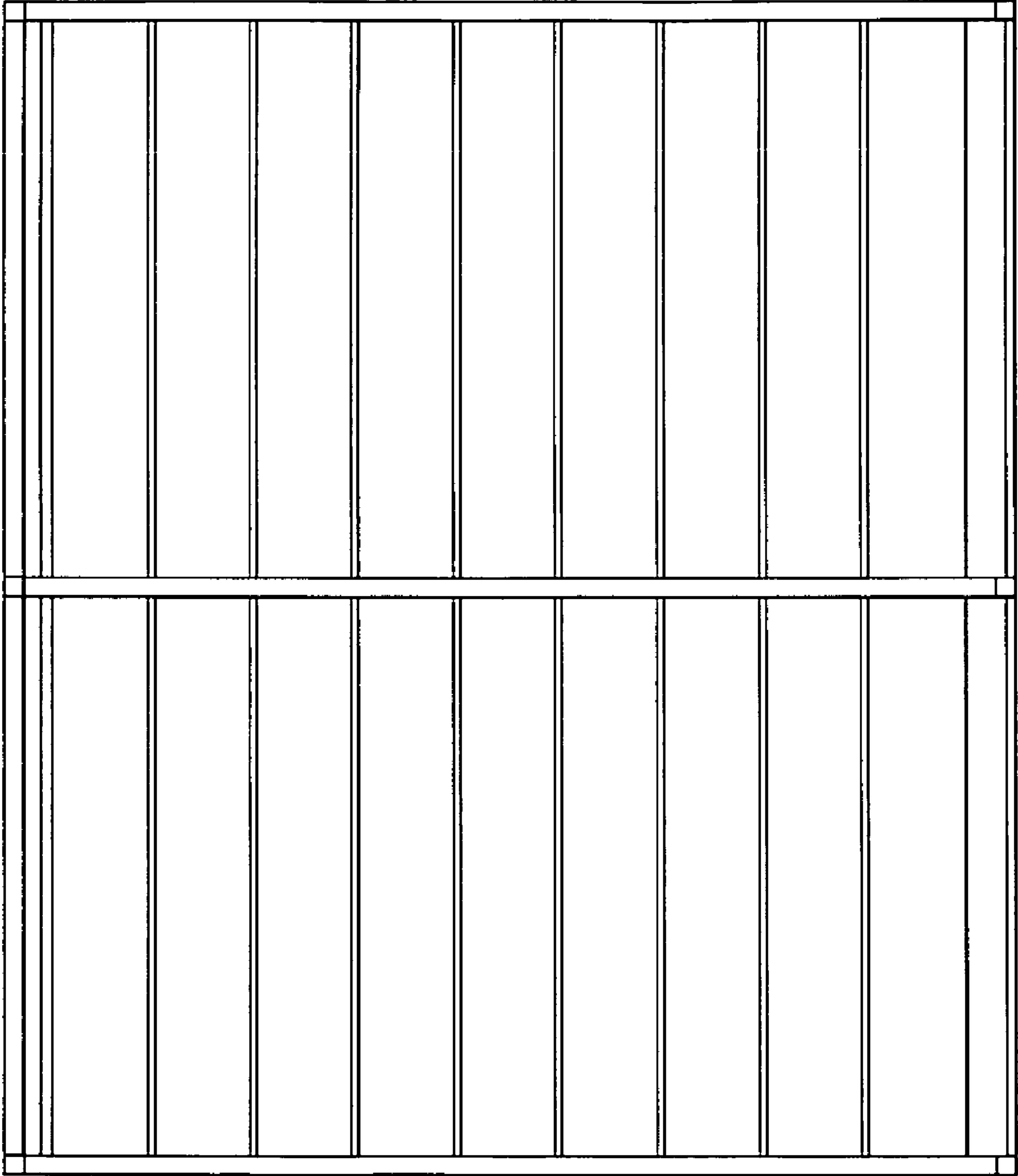


Fig. 14

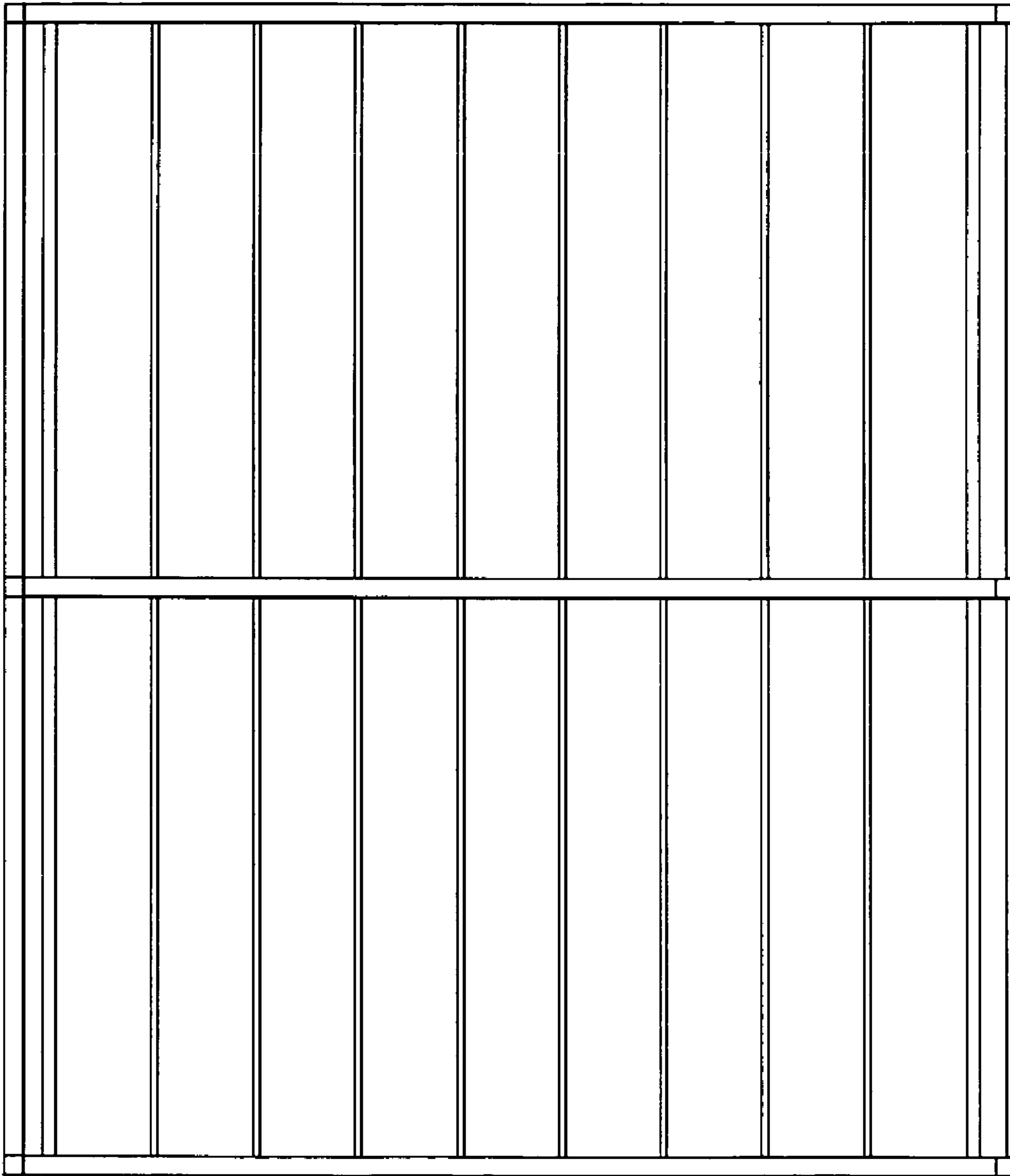


Fig. 15

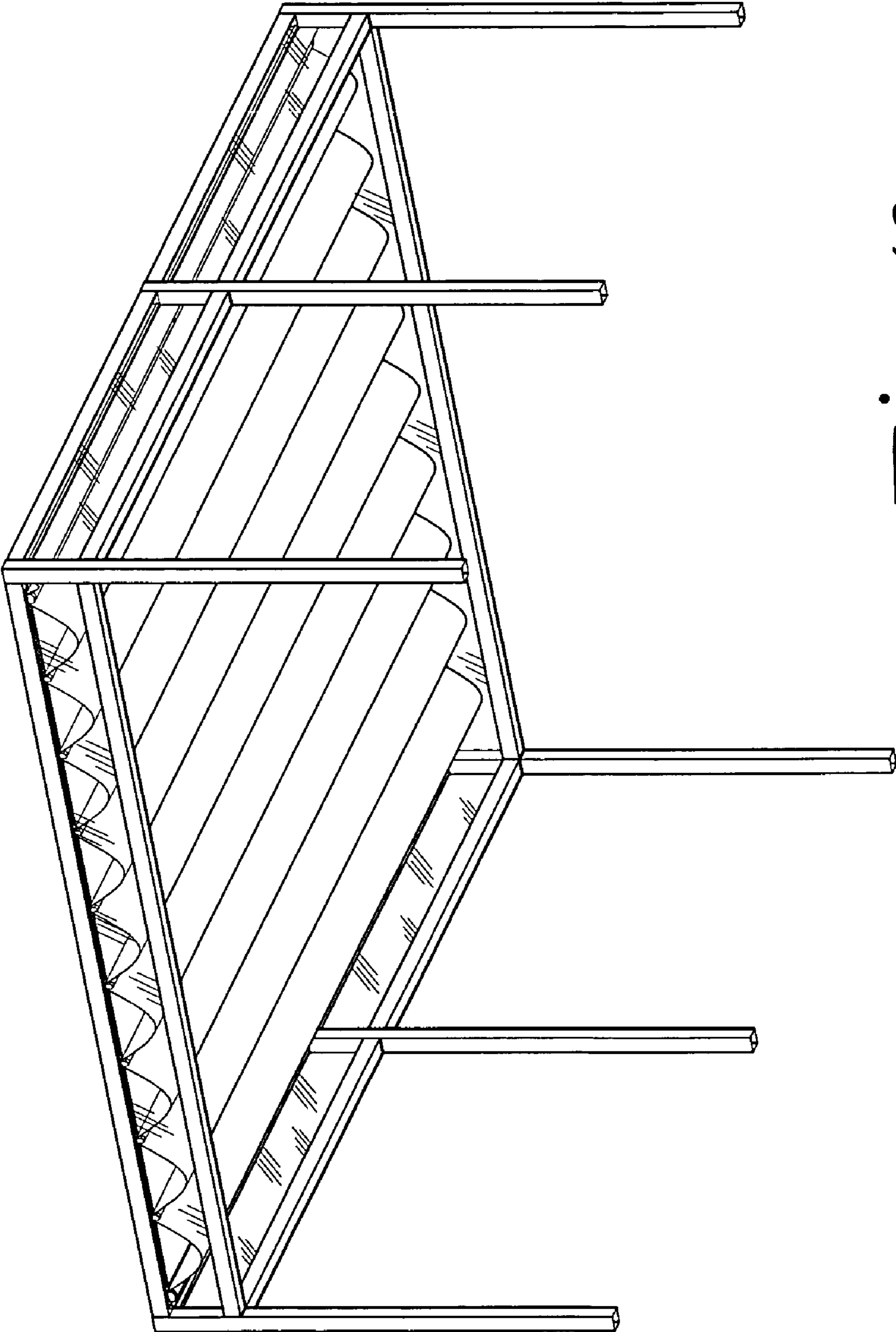


Fig. 16