



US00D630287S

(12) **United States Design Patent**  
**Bell et al.**

(10) **Patent No.:** **US D630,287 S**  
(45) **Date of Patent:** **\*\* Jan. 4, 2011**

(54) **TENT**

(75) Inventors: **Geoffrey Ian Bell**, Bournemouth (GB);  
**Franziska Conrad**, Bournemouth (GB)

(73) Assignee: **BU Innovations Ltd.**, Bournemouth  
Dorset (GB)

(\*\*) Term: **14 Years**

(21) Appl. No.: **29/354,341**

(22) Filed: **Jan. 22, 2010**

(30) **Foreign Application Priority Data**

Jul. 22, 2009 (EM) ..... 001590720-0001

(51) **LOC (9) Cl.** ..... **21-04**

(52) **U.S. Cl.** ..... **D21/834**

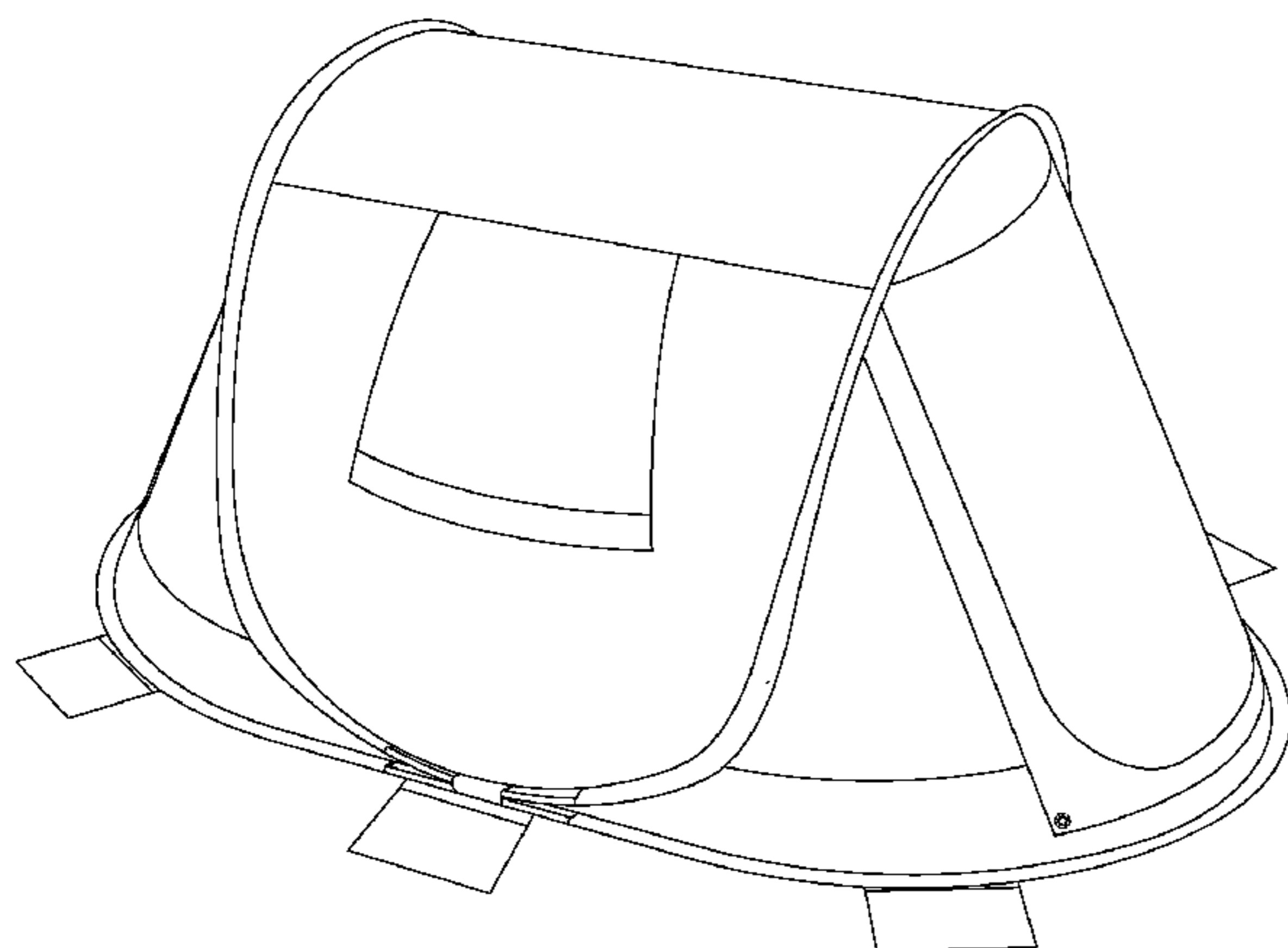
(58) **Field of Classification Search** ..... D21/834,  
D21/836-839; D25/13, 16, 17, 18, 20, 26,  
D25/32, 56, 57; 135/87, 90, 93, 94, 96-99,  
135/115, 117, 121, 124-128, 133, 135, 138,  
135/143, 157, 900, 908; 296/159-161; D12/403  
See application file for complete search history.

(56) **References Cited**

**U.S. PATENT DOCUMENTS**

2,167,219	A *	7/1939	Sankey	.....	135/133
D205,749	S *	9/1966	Moss	.....	D21/834
3,536,083	A *	10/1970	Reynolds	.....	135/117
3,540,458	A *	11/1970	Featheringill et al.	.....	135/133
3,621,857	A *	11/1971	May et al.	.....	135/94
3,943,952	A *	3/1976	Marquart et al.	.....	135/93
4,102,352	A *	7/1978	Kirkham	.....	135/97
4,541,445	A *	9/1985	Ferguson	.....	135/138
5,107,881	A *	4/1992	Feldman et al.	.....	135/124
D327,524	S *	6/1992	Kim	.....	D21/834
D332,294	S *	1/1993	Cantwell	.....	D21/834
D332,986	S *	2/1993	Choi	.....	D21/838
D369,638	S *	5/1996	Smith	.....	D21/834
D390,908	S *	2/1998	Lah	.....	D21/834

(Continued)



*Primary Examiner*—Cynthia M Chin  
(74) *Attorney, Agent, or Firm*—Hedman & Costigan, P.C.;  
Kathleen A. Costigan

(57) **CLAIM**

The ornamental design for a tent, as shown and described.

**DESCRIPTION**

FIG. 1 is a front elevational view of a tent showing our new design;

FIG. 2 is a back elevational view thereof;

FIG. 3 is a top plan view thereof;

FIG. 4 is a bottom plan view thereof;

FIG. 5 is a right side elevational view thereof;

FIG. 6 is a left side elevational view thereof;

FIG. 7 is a front, right side perspective view thereof;

FIG. 8 is a front, left side perspective view thereof;

FIG. 9 is an additional front elevational view thereof, with the door flap open;

FIG. 10 is an additional back elevational view thereof, with the door flap open;

FIG. 11 is an additional top plan view thereof, shown without support poles and with the door flaps open;

FIG. 12 is an additional bottom plan view thereof, shown without support poles and with the door flaps open;

FIG. 13 is an additional right side elevational view thereof, with the door flaps open;

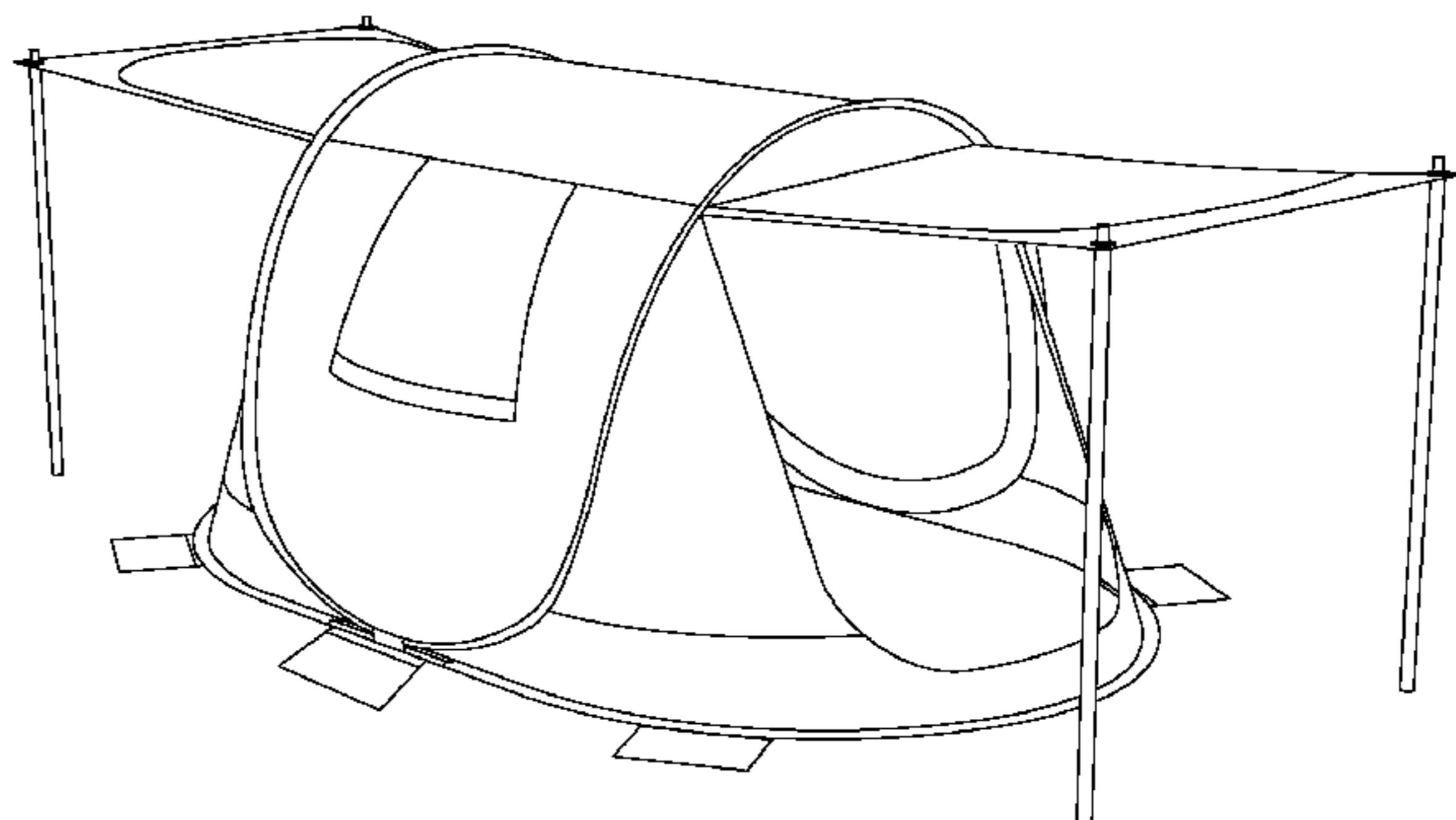
FIG. 14 is an additional left side elevational view thereof, with the door flaps open;

FIG. 15 is an additional front, right side perspective view thereof, with the door flaps open; and,

FIG. 16 is an additional front, left side perspective view thereof, with the door flaps open.

The broken-line disclosure of elements in the views are understood to be functional aspects of the article in which the design is embodied and form no part of the claimed design.

**1 Claim, 16 Drawing Sheets**



# US D630,287 S

Page 2

---

## U.S. PATENT DOCUMENTS

D418,573 S *	1/2000	Ju .....	D21/834	D605,723 S *	12/2009	Rausch et al. ....	D21/834
D457,590 S *	5/2002	Olson et al. ....	D21/834	2005/0081903 A1 *	4/2005	Wang .....	135/126
D562,930 S *	2/2008	Poulson et al. ....	D21/834	2005/0092355 A1 *	5/2005	Hsu .....	135/125

\* cited by examiner

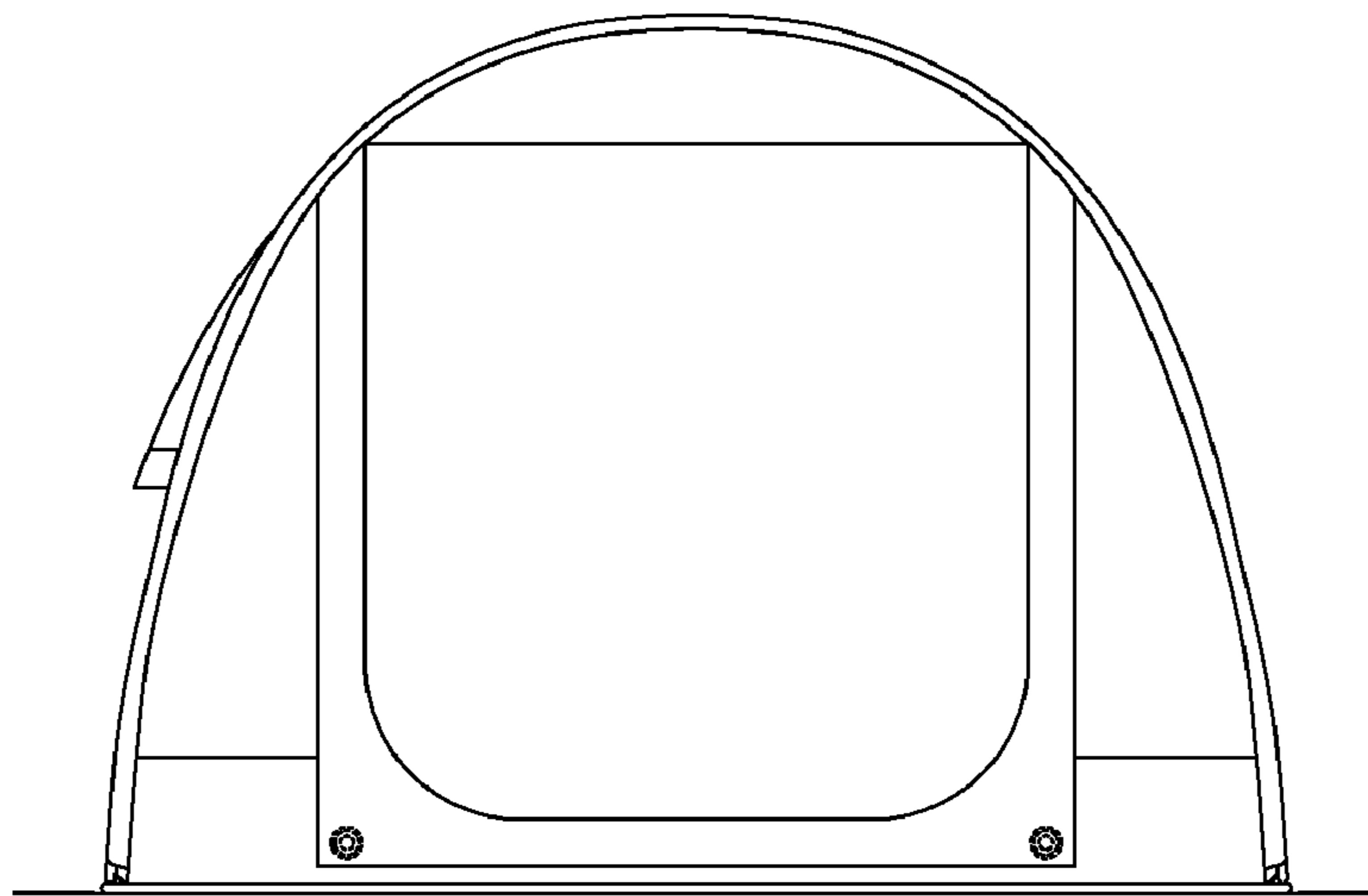


FIG 1

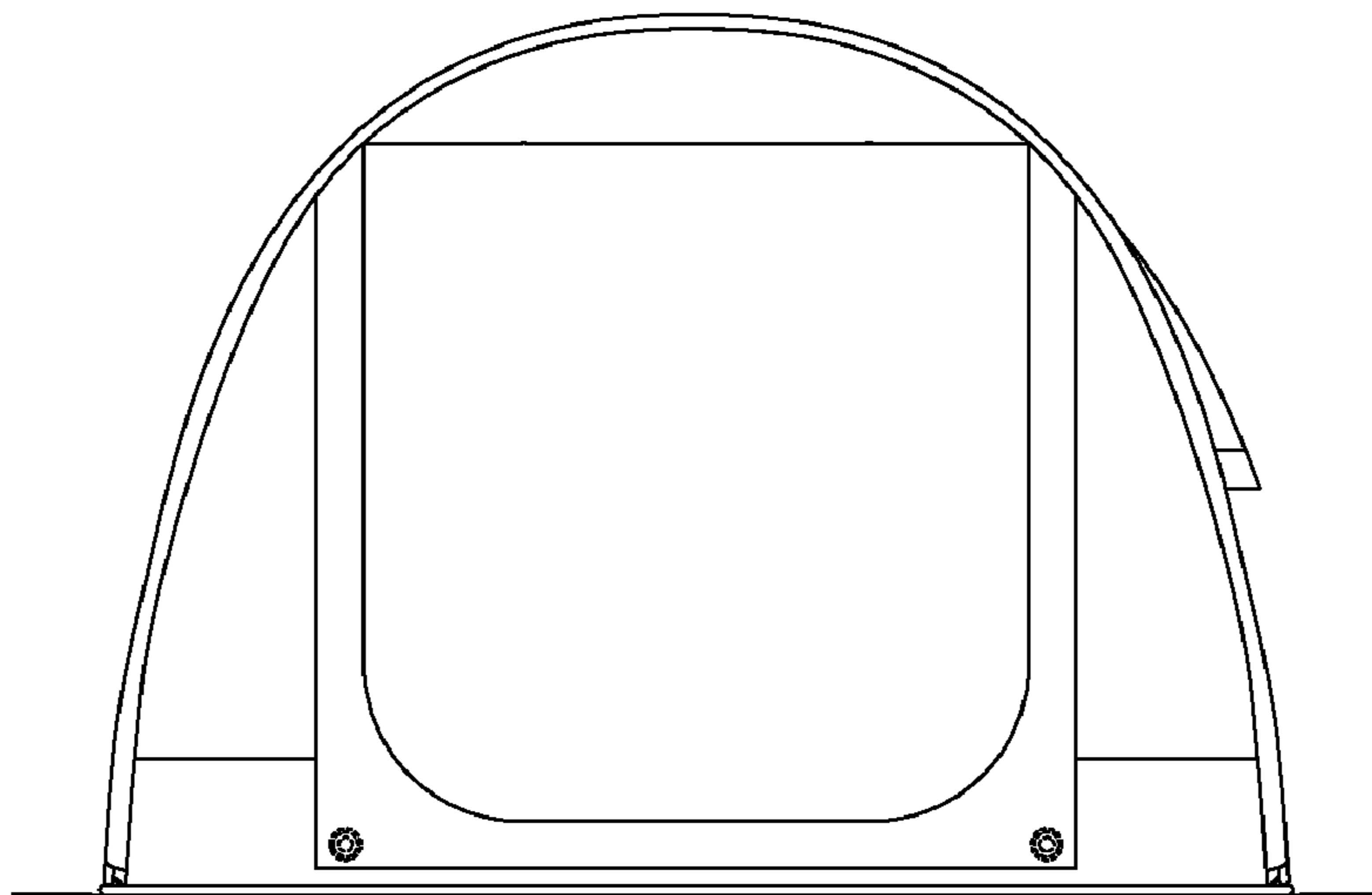


FIG 2

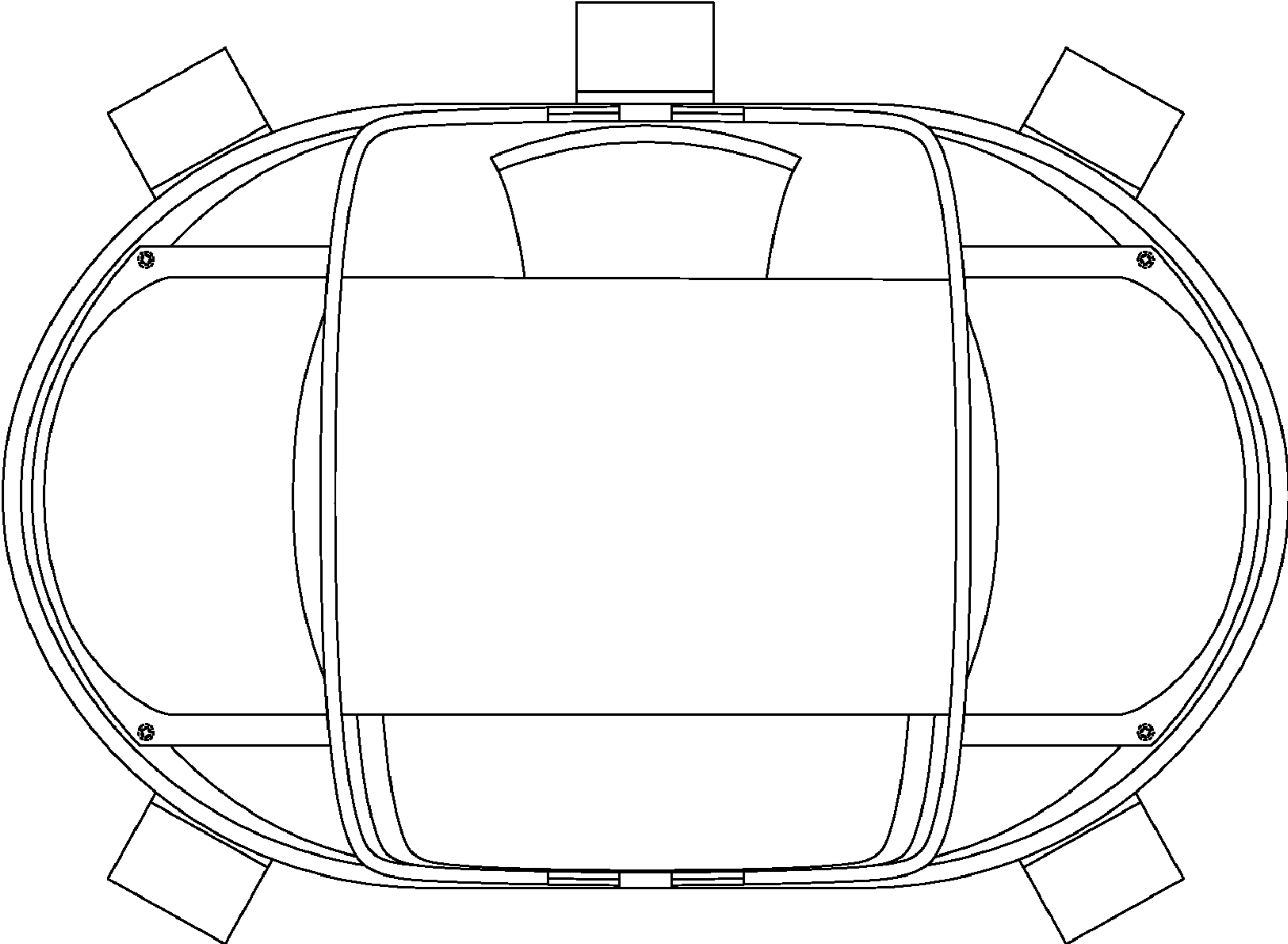


FIG 3

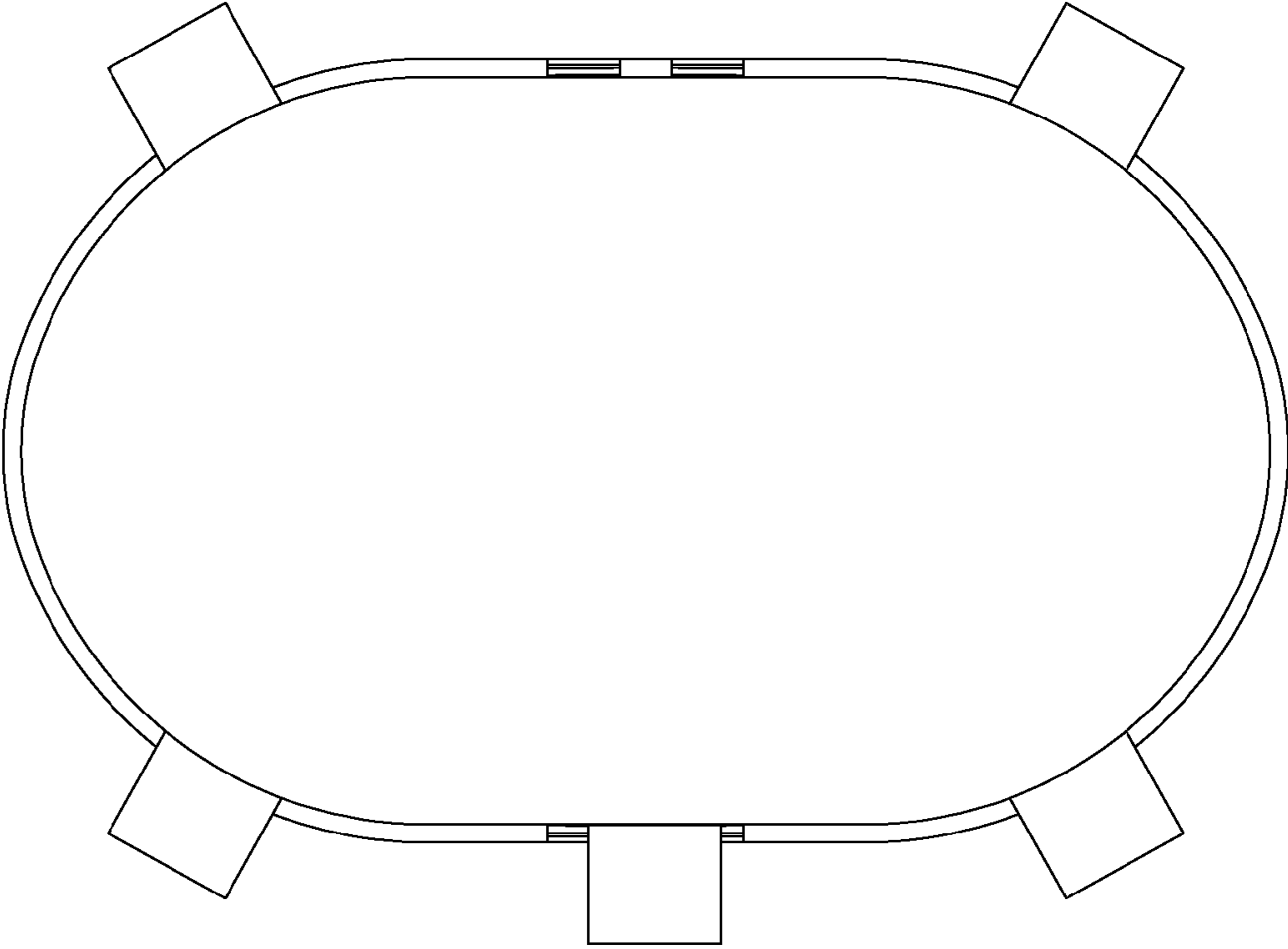


FIG 4

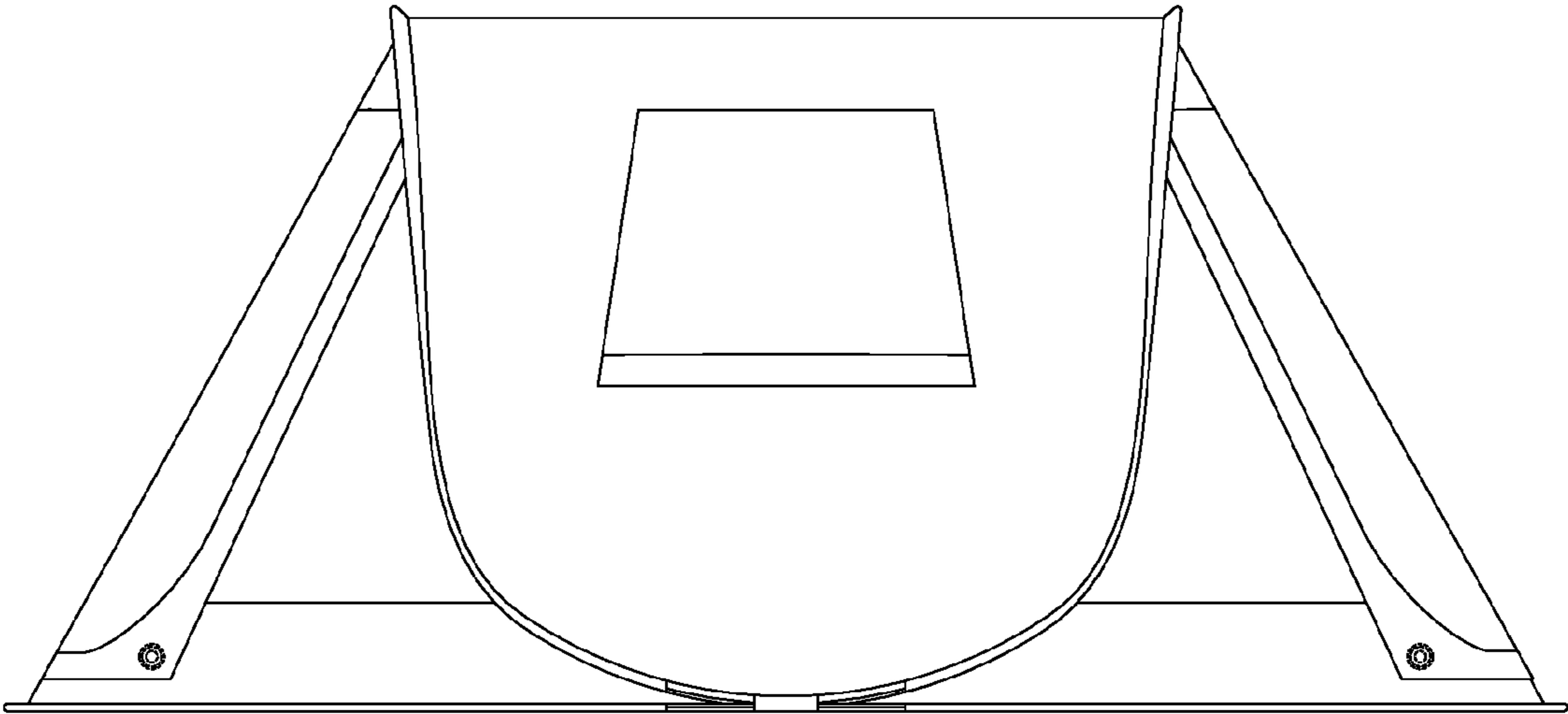


FIG 5

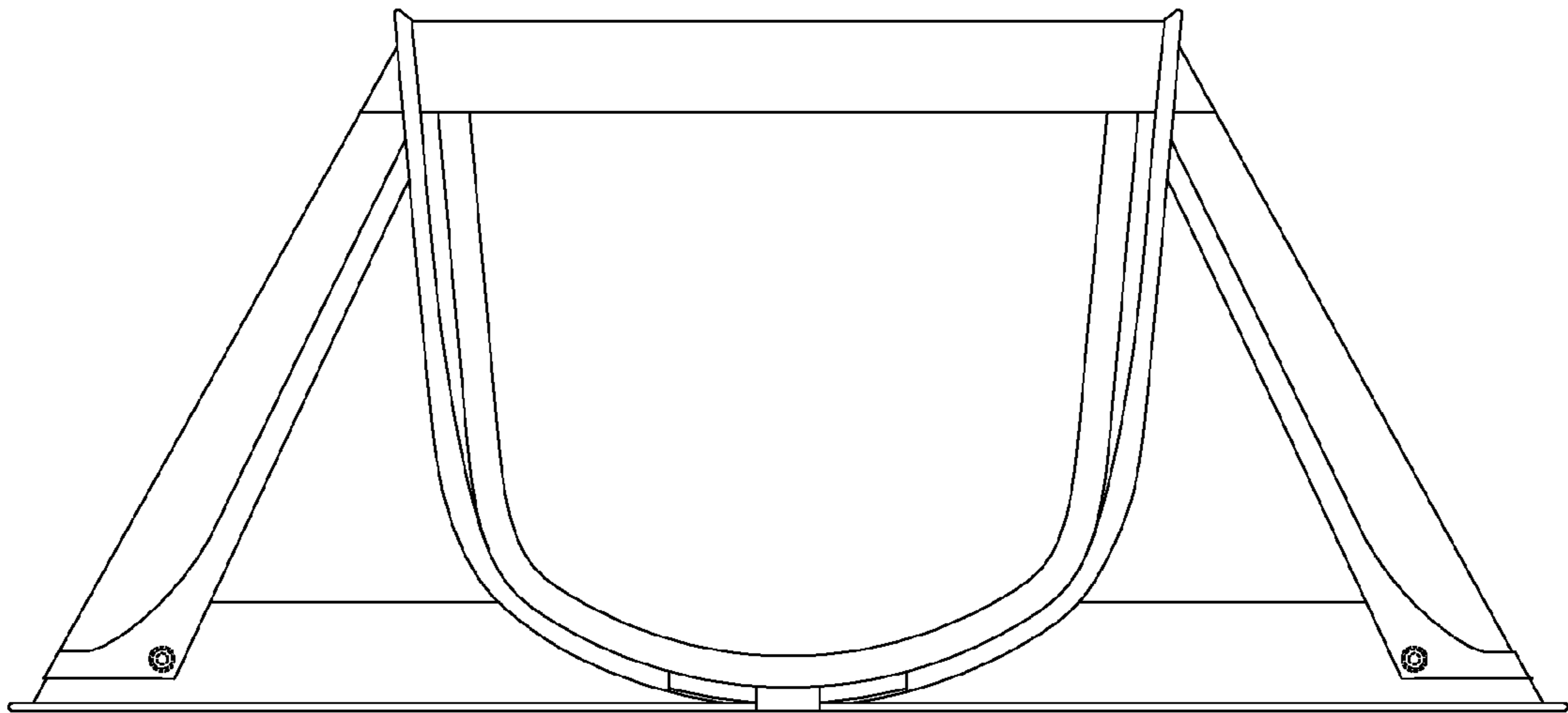


FIG 6



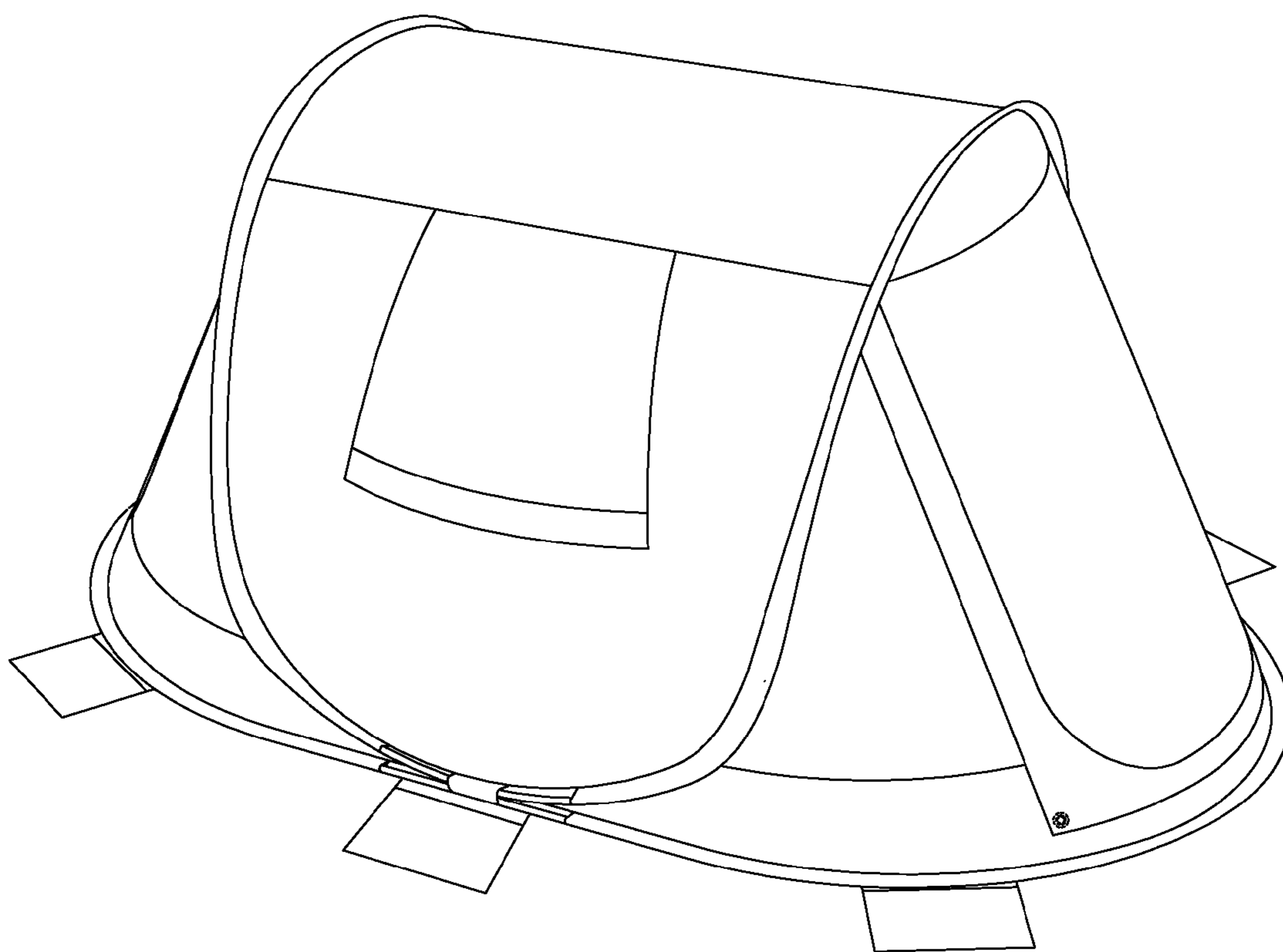


FIG 7

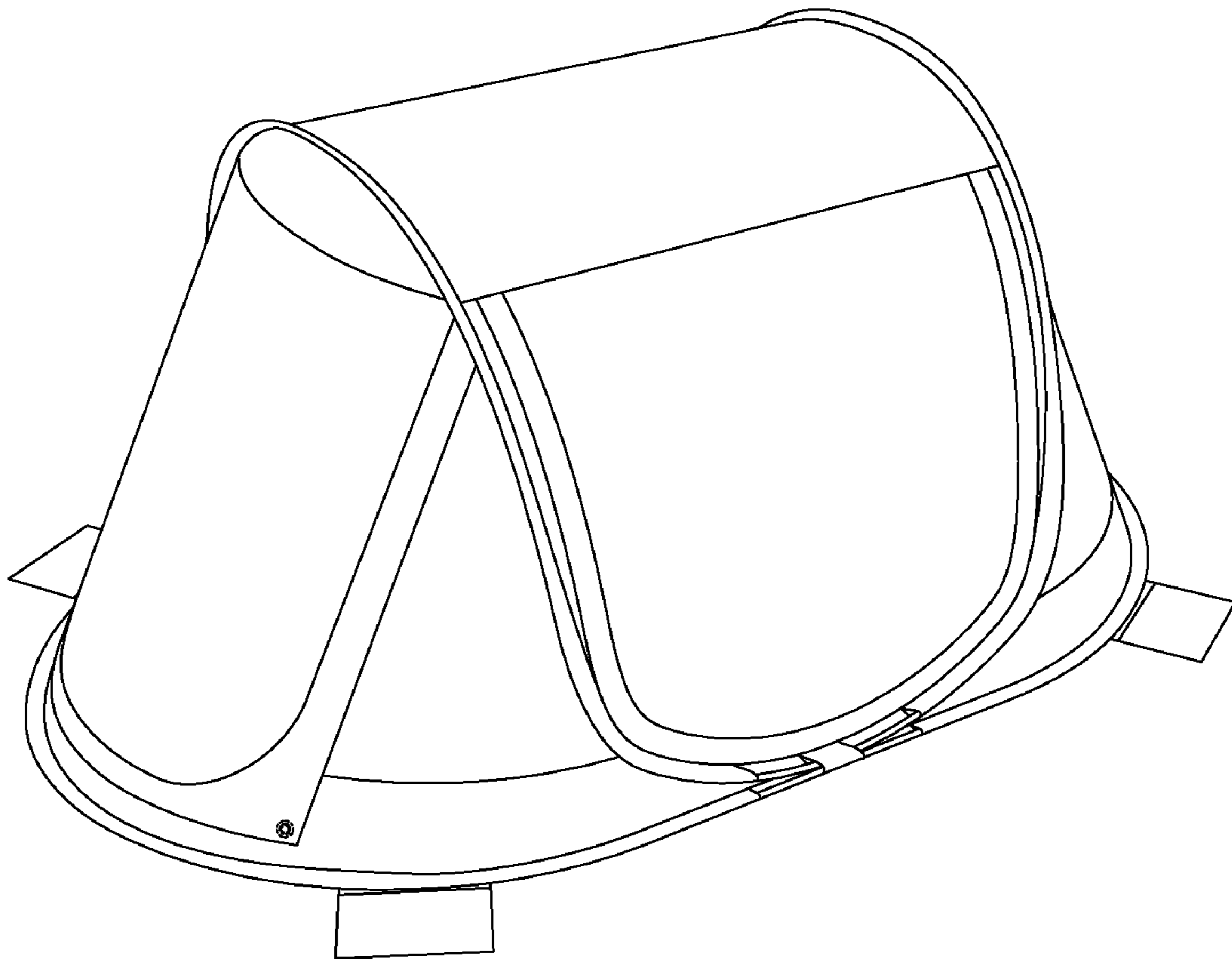


FIG 8

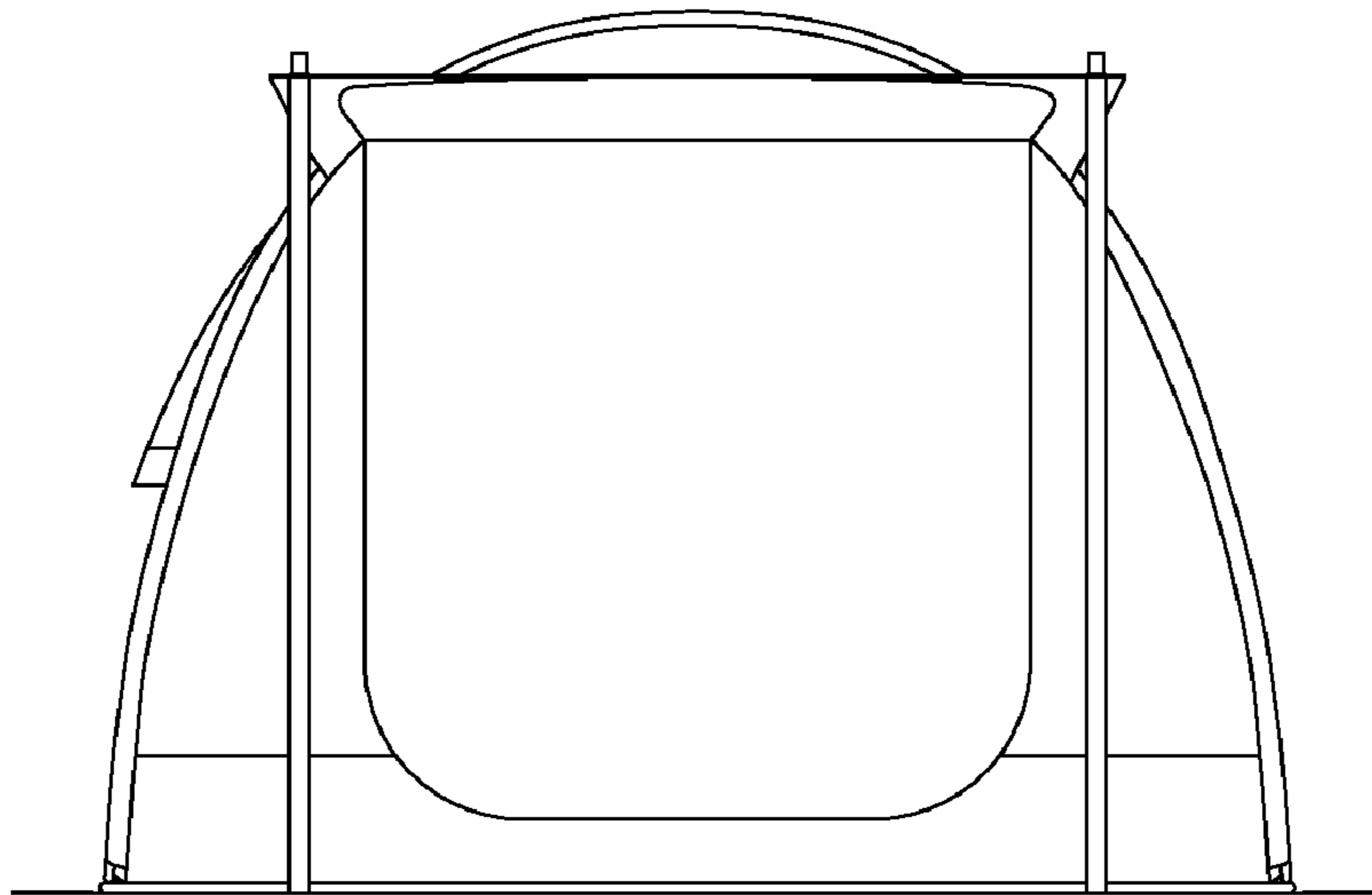


FIG 9

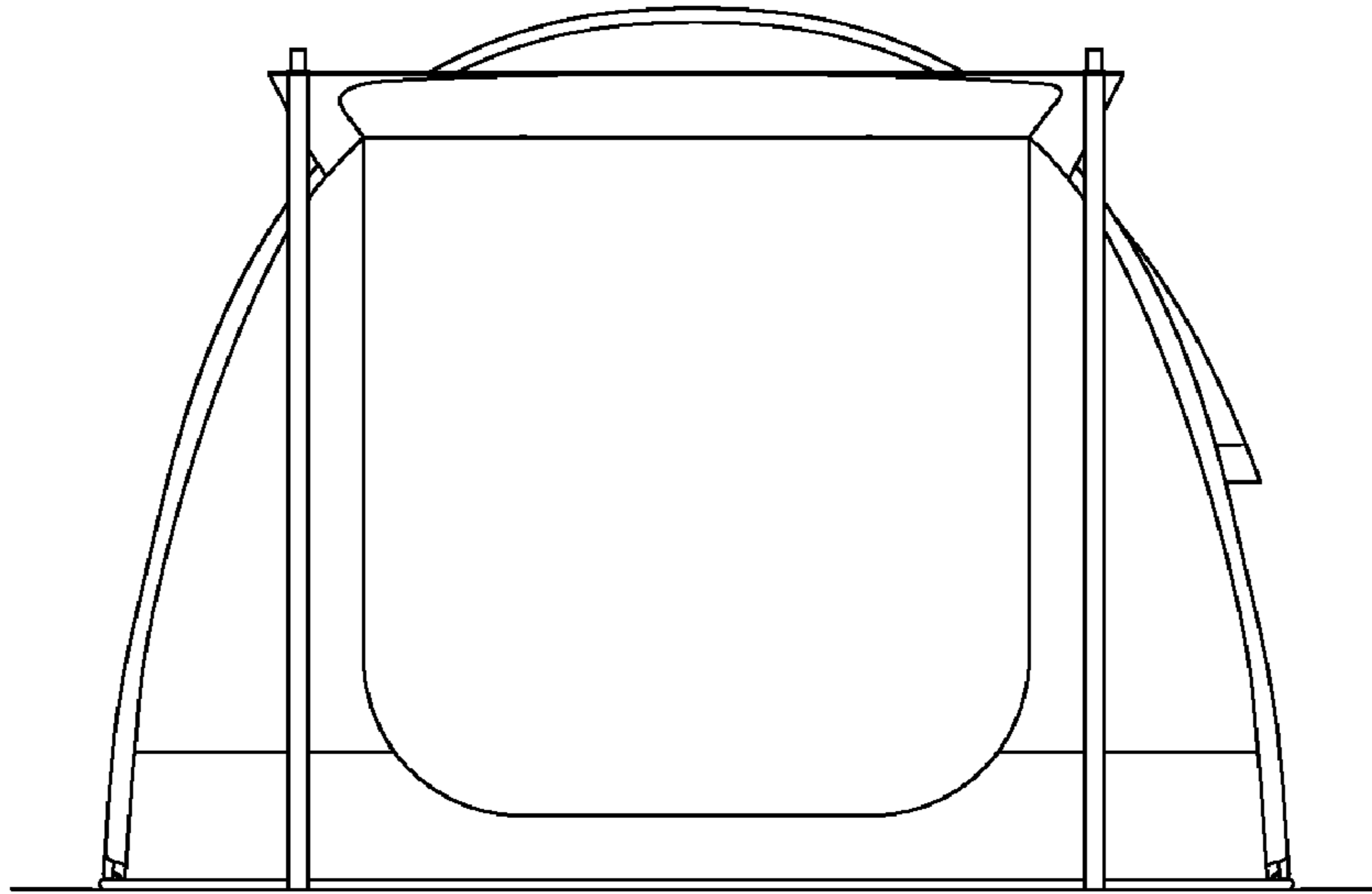


FIG 10

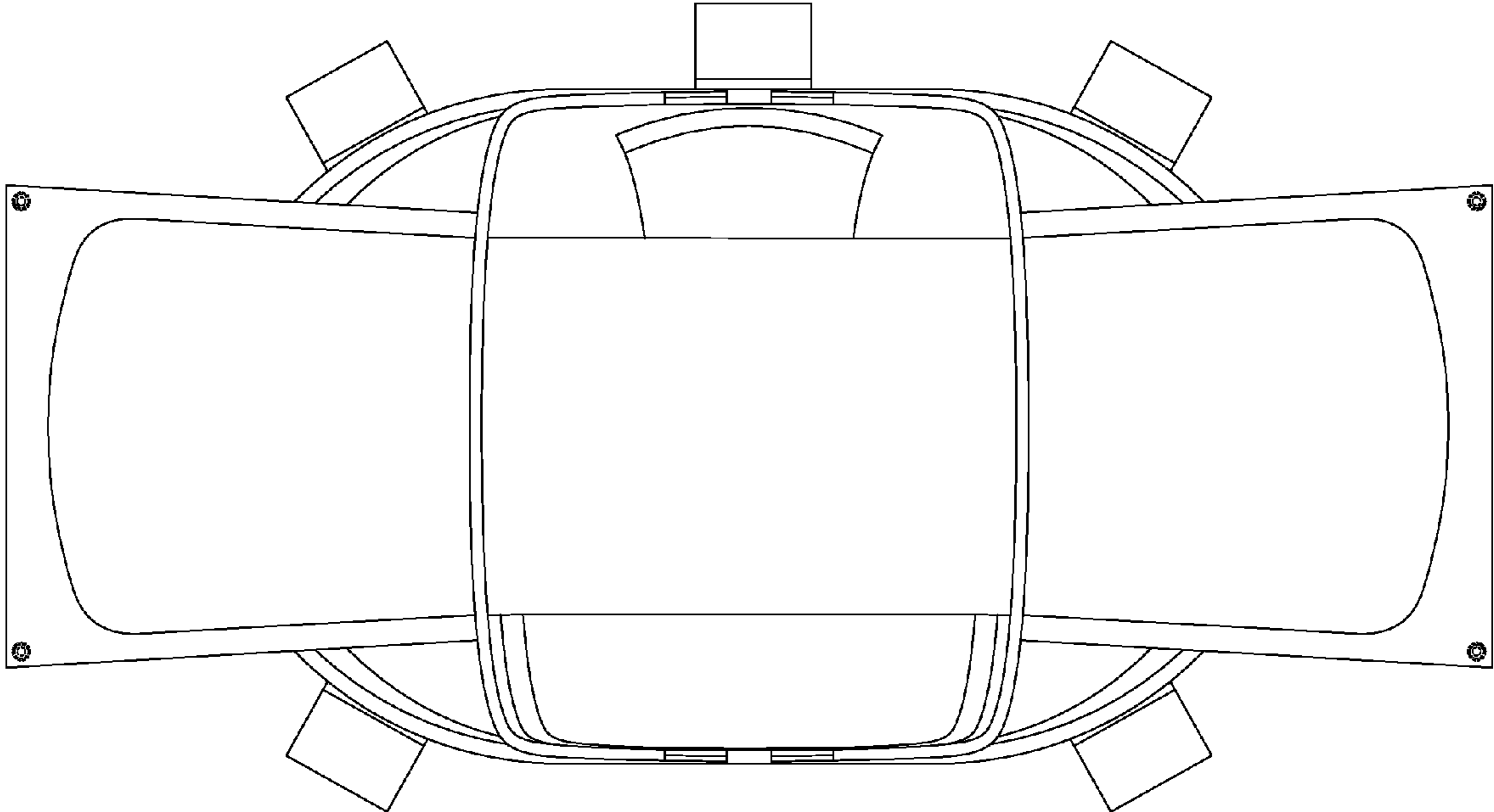


FIG 11

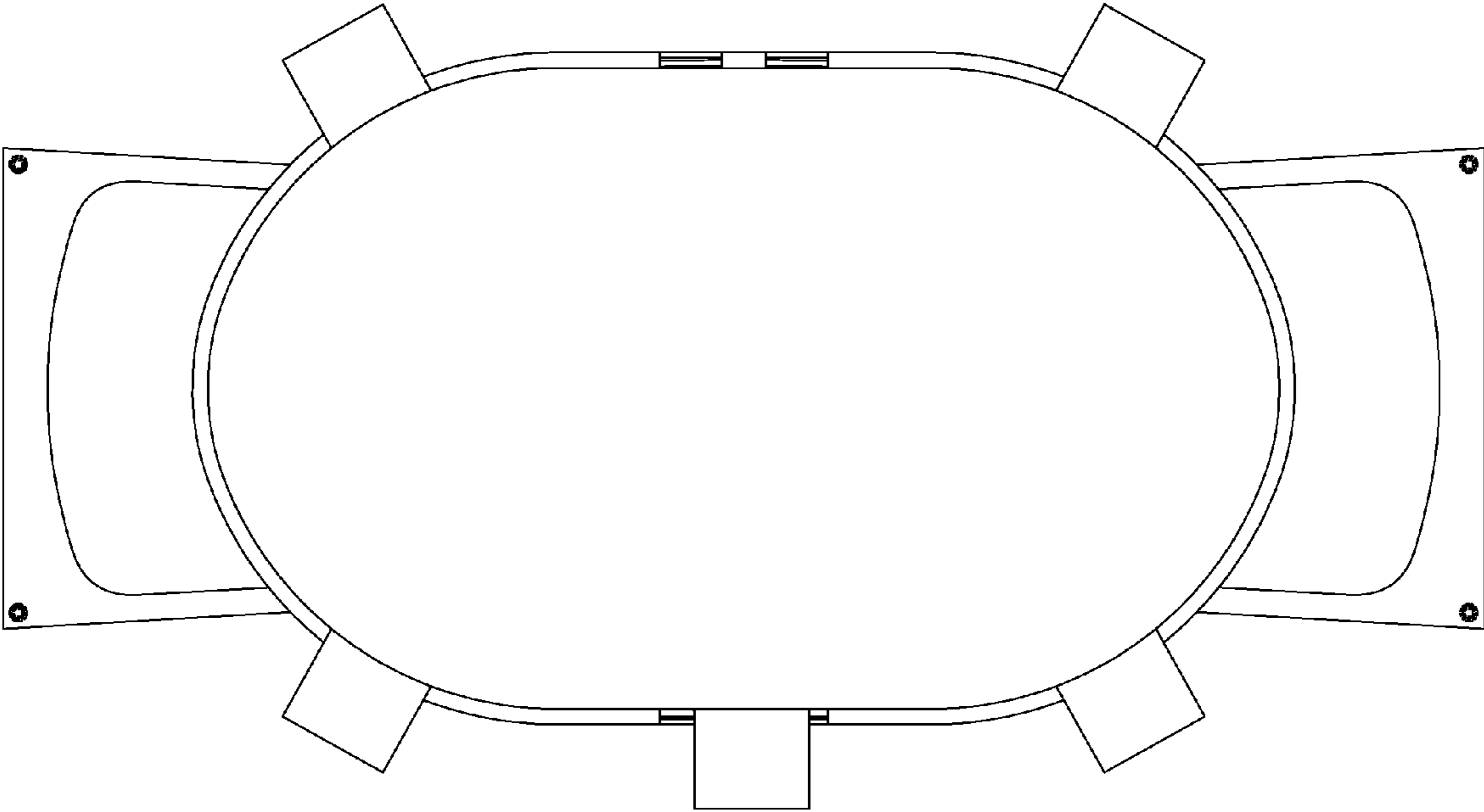


FIG 12

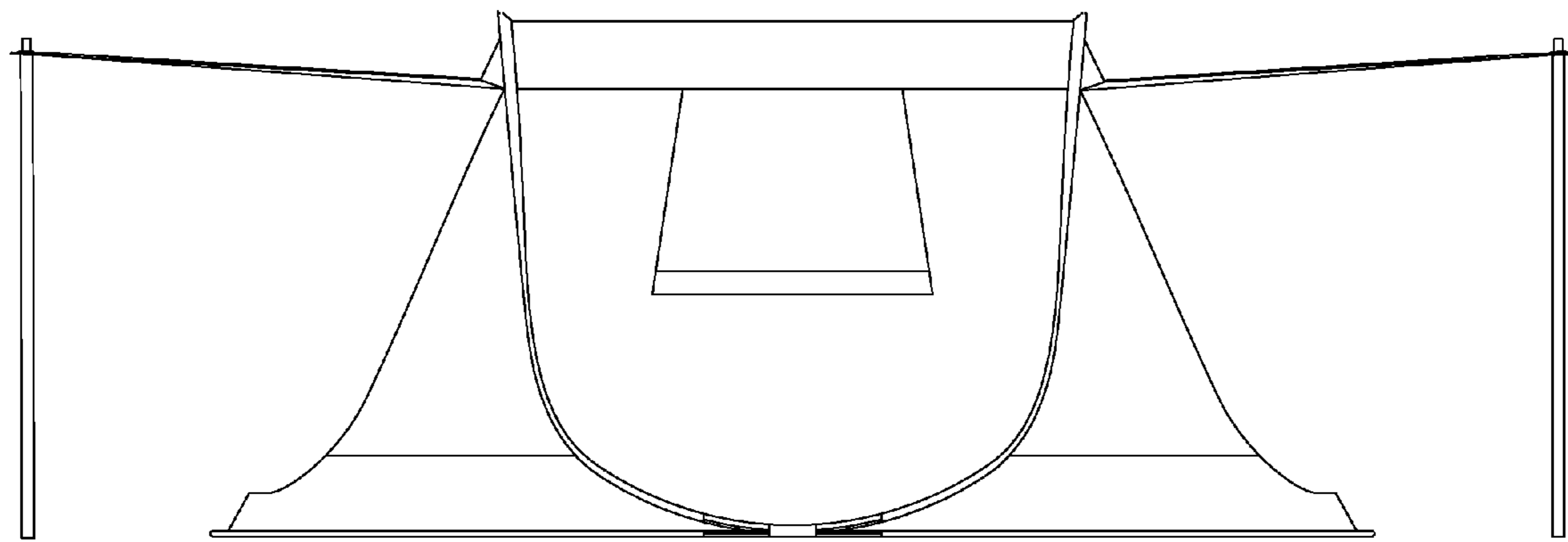


FIG 13

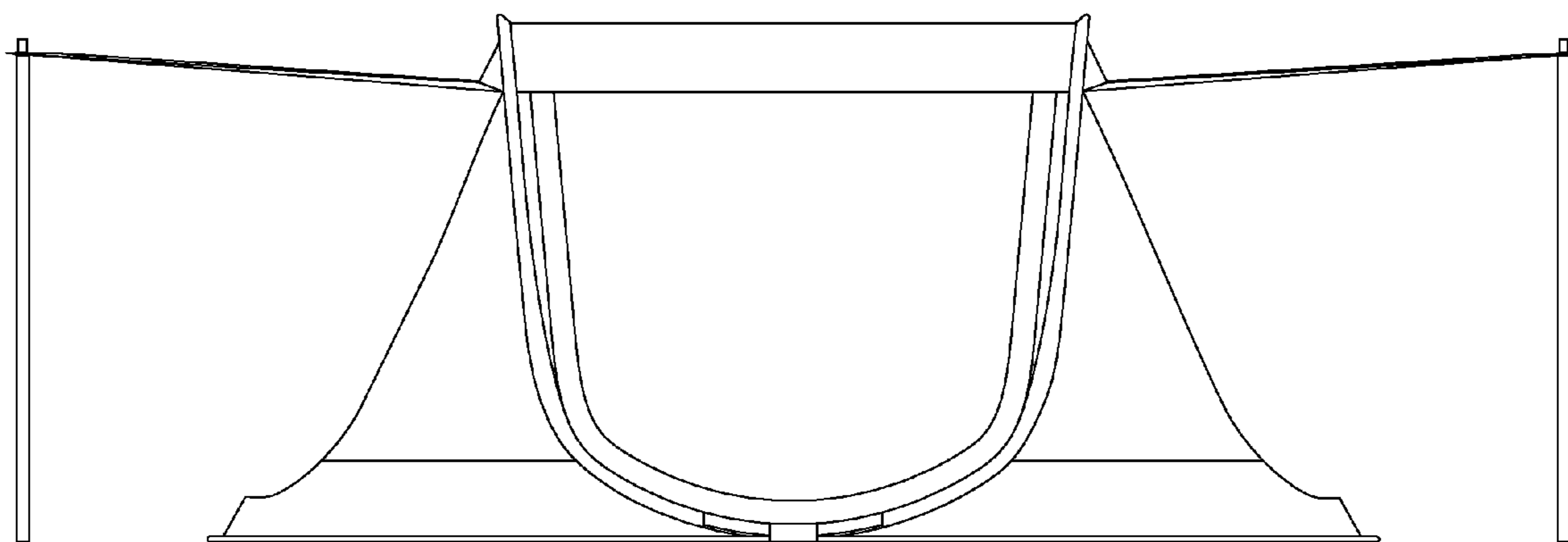


FIG 14



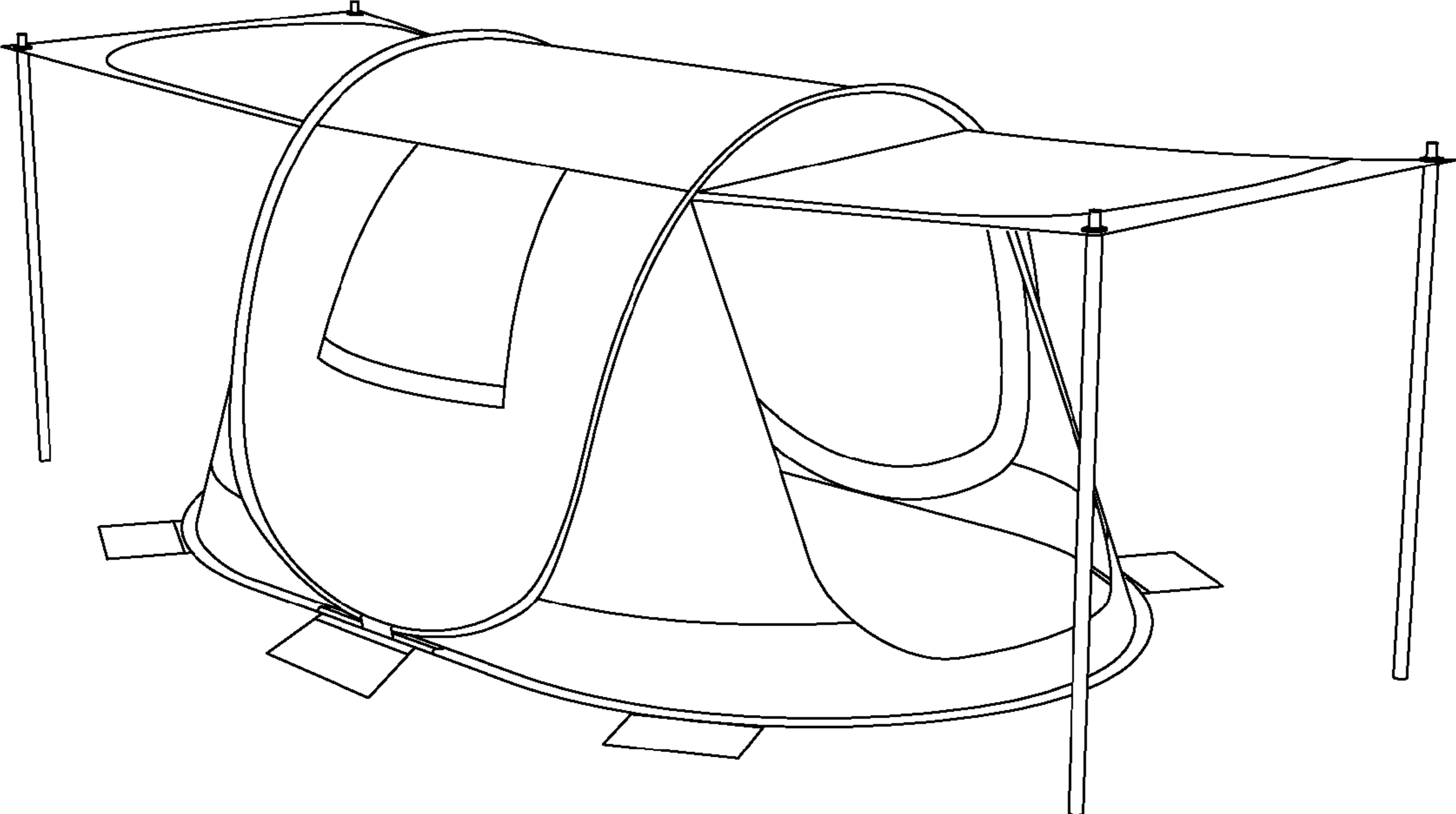


FIG 15

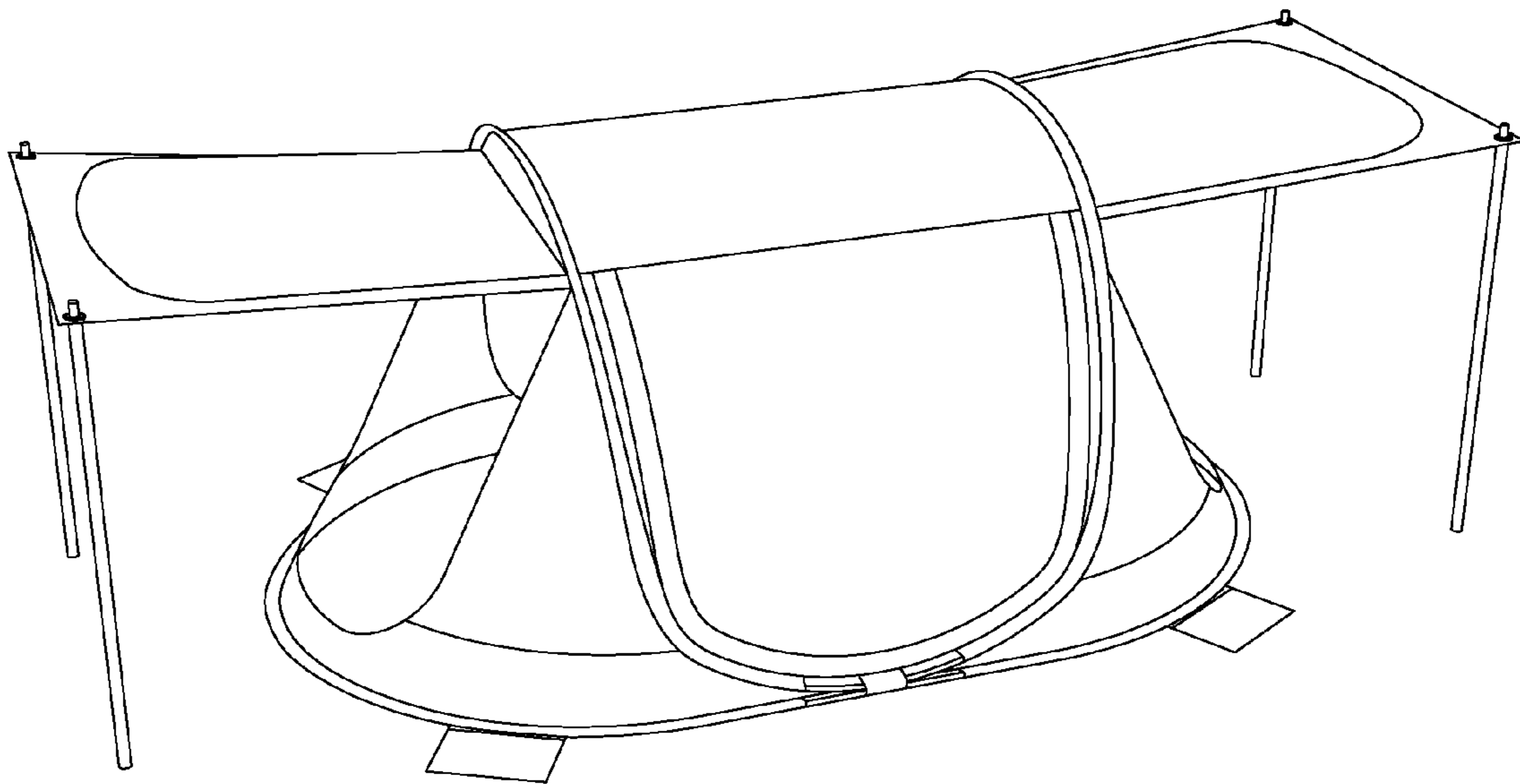


FIG 16