

US00D630285S

(12) **United States Design Patent**  
**Hsiang**

(10) **Patent No.:** **US D630,285 S**  
(45) **Date of Patent:** **\*\* Jan. 4, 2011**

(54) **TRAMPOLINE**  
(75) Inventor: **Hua-Lu Hsiang**, Taoyuan (TW)  
(73) Assignee: **Crowntec Fitness Mfg., Ltd.**, Taoyuan (TW)  
(\*\*) Term: **14 Years**  
(21) Appl. No.: **29/342,496**  
(22) Filed: **Aug. 26, 2009**

(51) **LOC (9) Cl.** ..... **21-02**  
(52) **U.S. Cl.** ..... **D21/797**  
(58) **Field of Classification Search** ..... D21/662,  
D21/672, 694, 797, 814; 482/27, 28, 29;  
160/135

See application file for complete search history.

(56) **References Cited**

**U.S. PATENT DOCUMENTS**

D187,138 S \* 2/1960 Highberger ..... D21/797  
5,399,132 A \* 3/1995 Bailey ..... 482/29  
6,053,845 A \* 4/2000 Publicover et al. .... 482/35  
6,135,922 A \* 10/2000 Nissen ..... 482/27  
D433,725 S \* 11/2000 Chen ..... D21/797  
D462,103 S \* 8/2002 Chen ..... D21/797  
D478,955 S \* 8/2003 Chen ..... D21/797  
6,679,811 B2 \* 1/2004 Chen ..... 482/29  
D564,060 S \* 3/2008 Adams ..... D21/814  
7,354,381 B2 \* 4/2008 Greiner et al. .... 482/29  
D570,947 S \* 6/2008 Horne ..... D21/797  
D576,229 S \* 9/2008 VanElverdinghe ..... D21/694

D595,800 S \* 7/2009 VanElverdinghe ..... D21/814  
D614,715 S \* 4/2010 Mann ..... D21/797  
7,758,471 B2 \* 7/2010 Nelson ..... 482/27  
7,766,795 B2 \* 8/2010 Publicover ..... 482/27  
2004/0107491 A1 \* 6/2004 Publicover ..... 4/498  
2005/0079954 A1 \* 4/2005 Wang et al. .... 482/27  
2006/0189442 A1 \* 8/2006 Publicover ..... 482/27  
2009/0156366 A1 \* 6/2009 Publicover ..... 482/29  
2009/0280961 A1 \* 11/2009 Ikegami ..... 482/27

\* cited by examiner

*Primary Examiner*—Susan E Krakower

(74) *Attorney, Agent, or Firm*—Muncy, Geissler, Olds & Lowe, PLLC

(57) **CLAIM**

The ornamental design for a trampoline, as shown and described.

**DESCRIPTION**

FIG. 1 is a perspective view of a trampoline showing my new design thereof;

FIG. 2 is a right side elevational view thereof;

FIG. 3 is a top plan view thereof;

FIG. 4 is a front elevation view thereof;

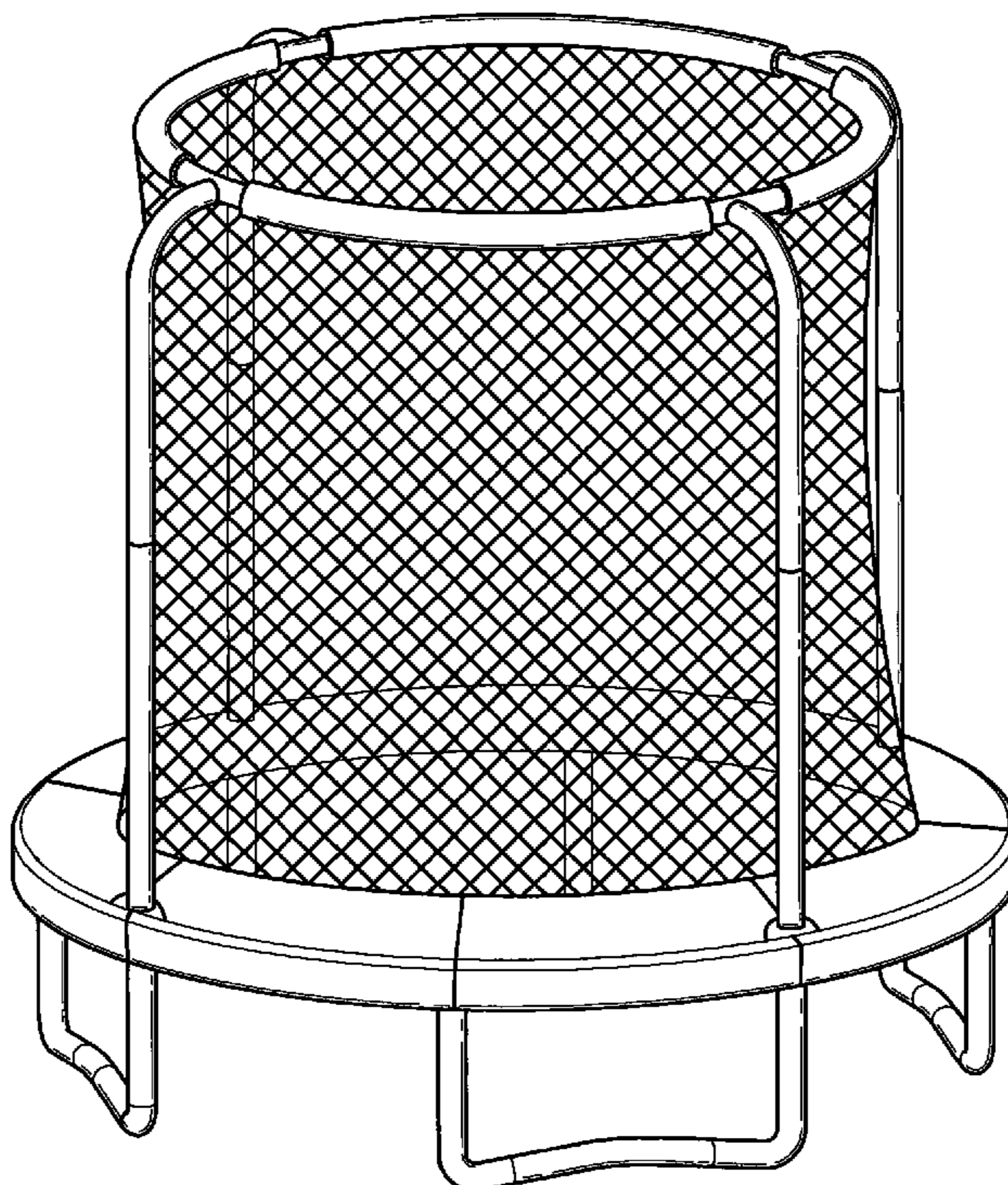
FIG. 5 is a bottom plan view thereof;

FIG. 6 is a left side elevational view thereof;

FIG. 7 is a rear elevation view thereof; and,

FIG. 8 is another perspective view thereof.

**1 Claim, 8 Drawing Sheets**



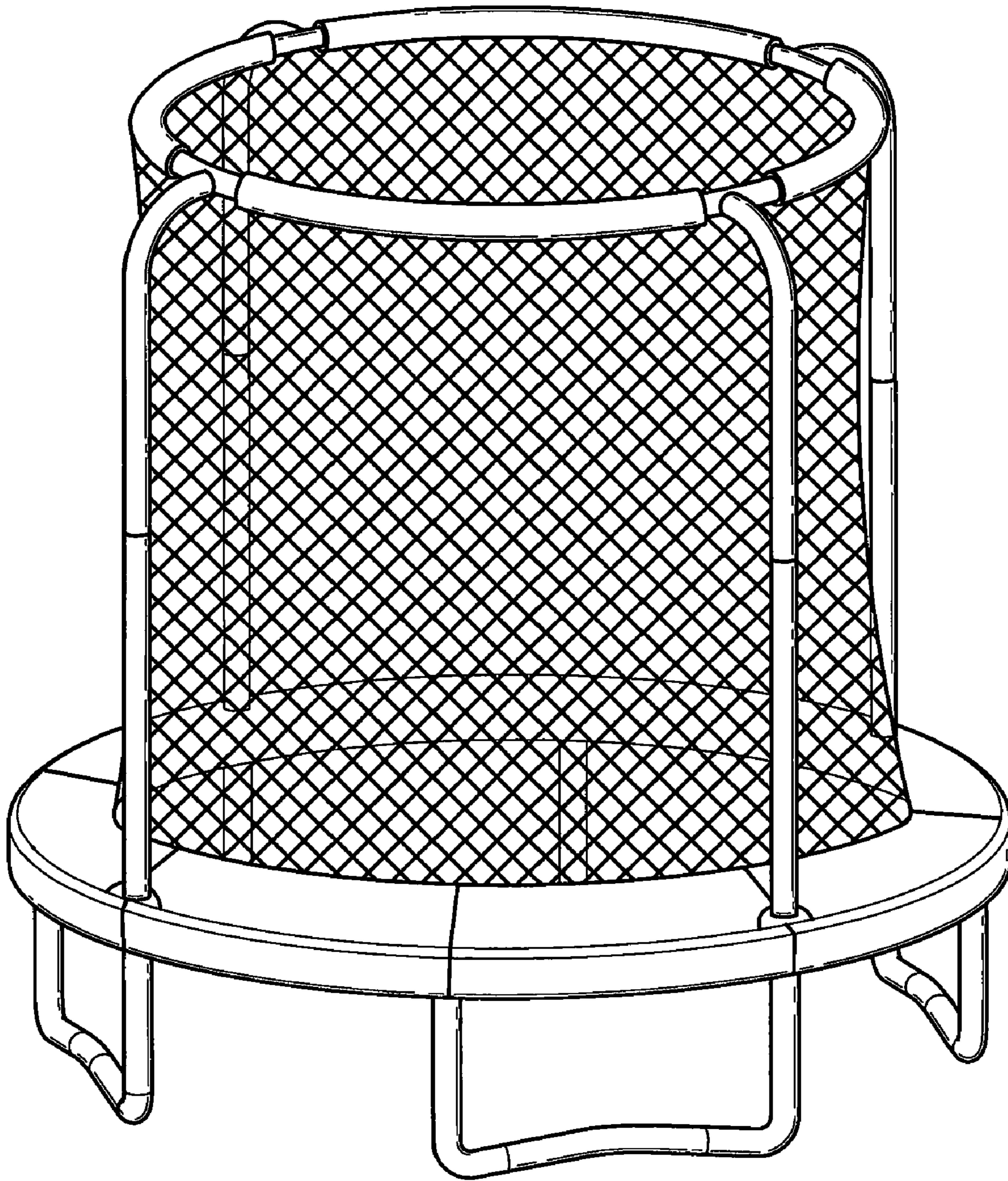


Fig. 1

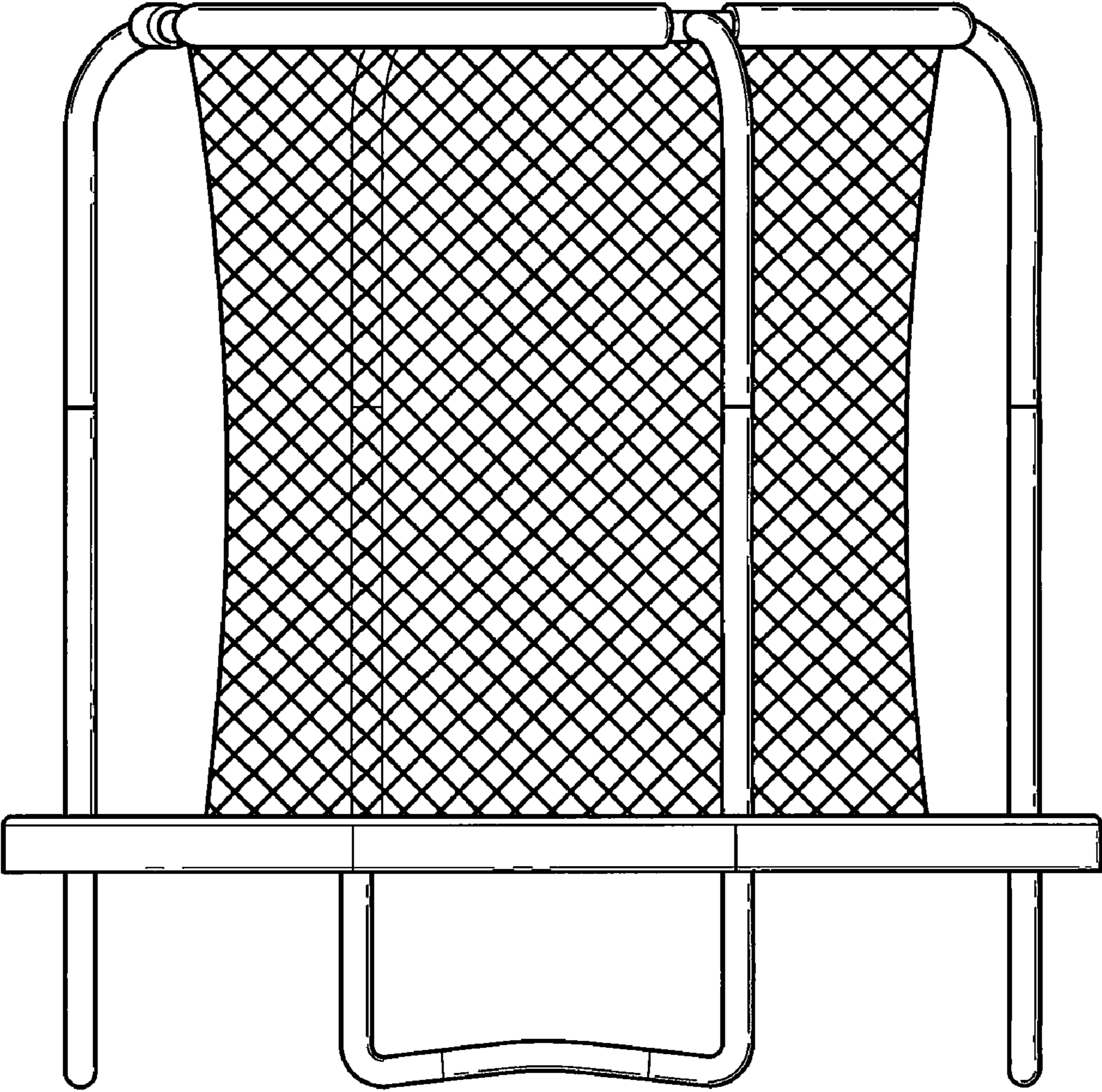


Fig. 2

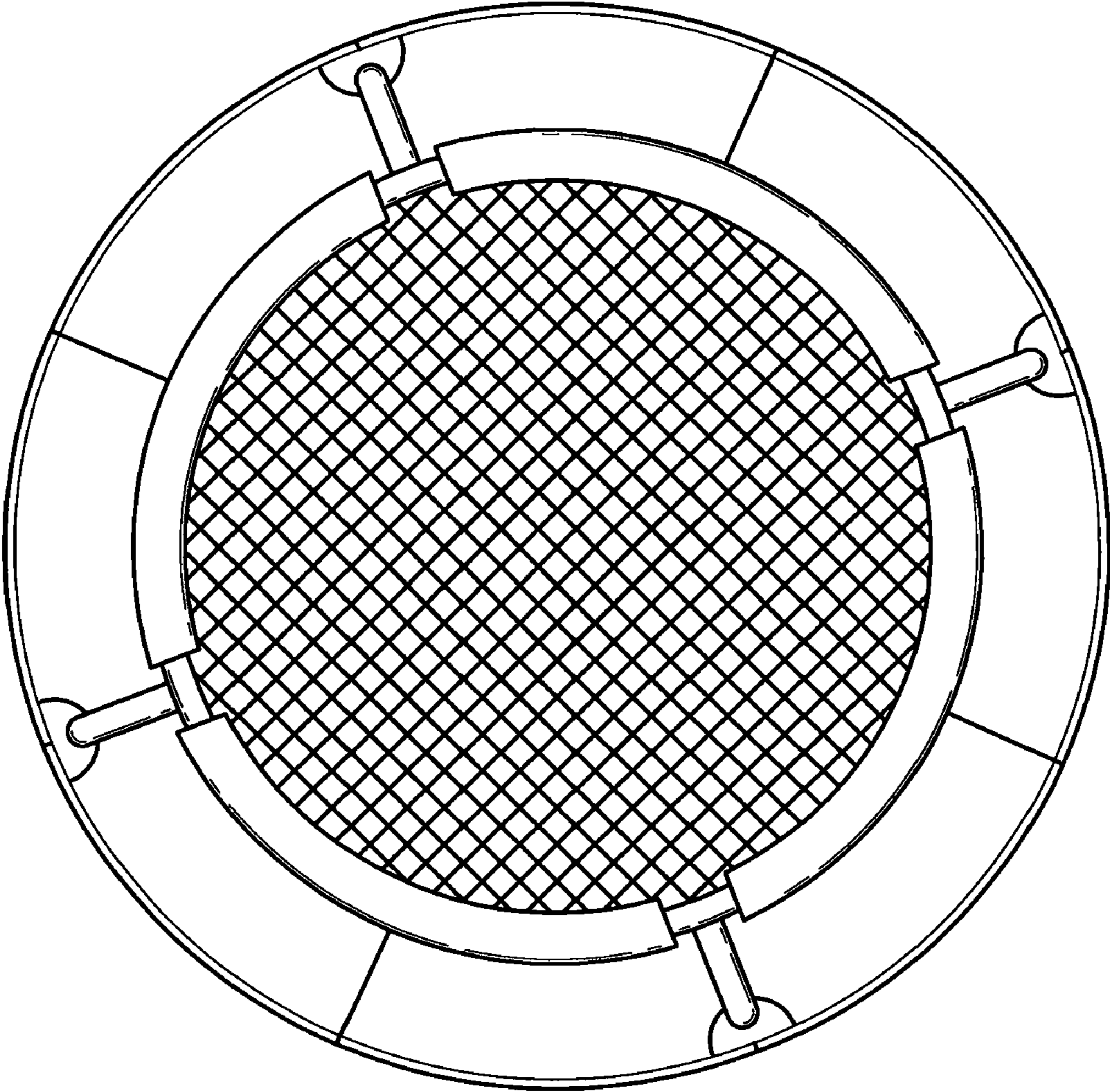


Fig. 3

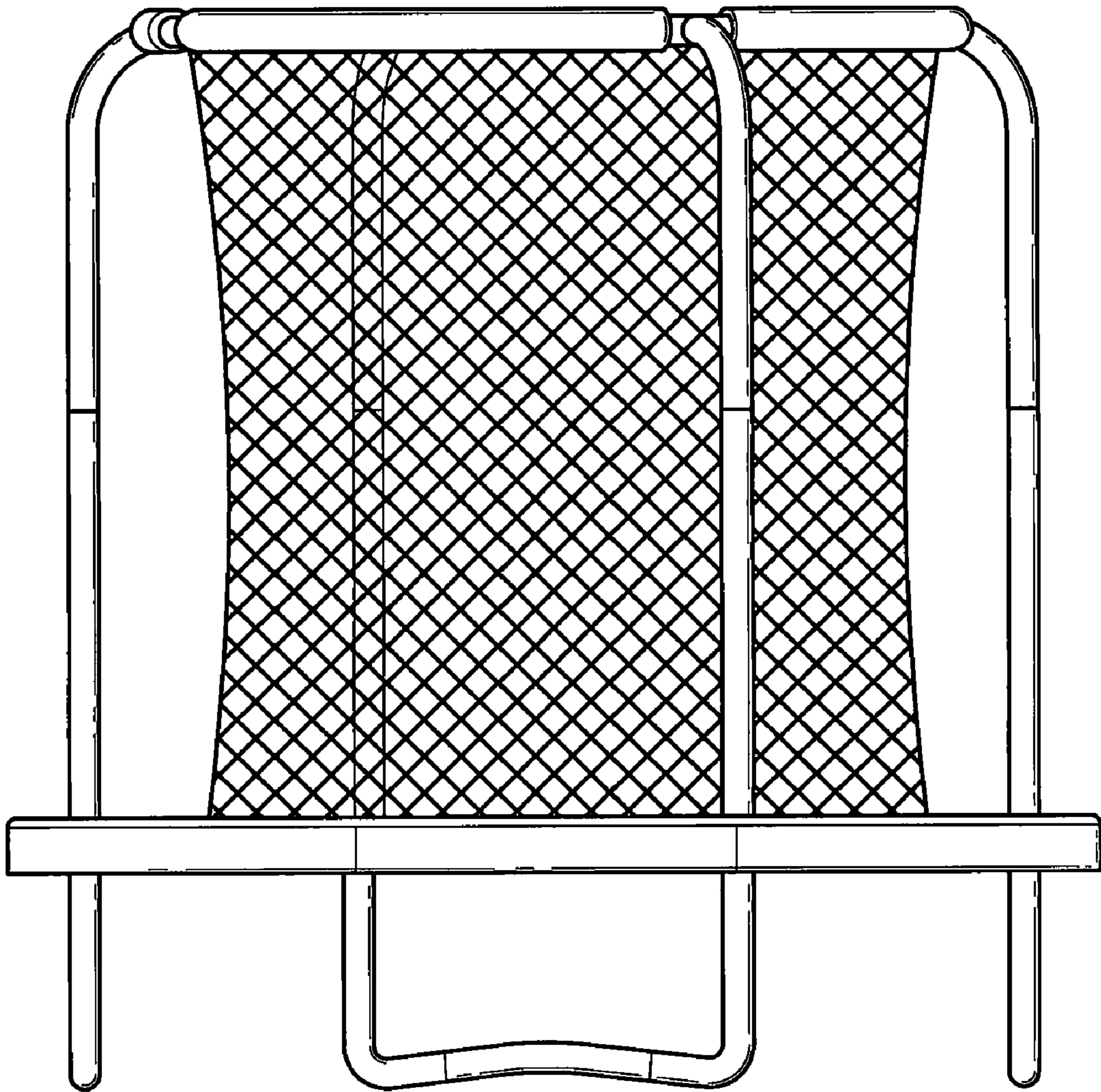


Fig. 4

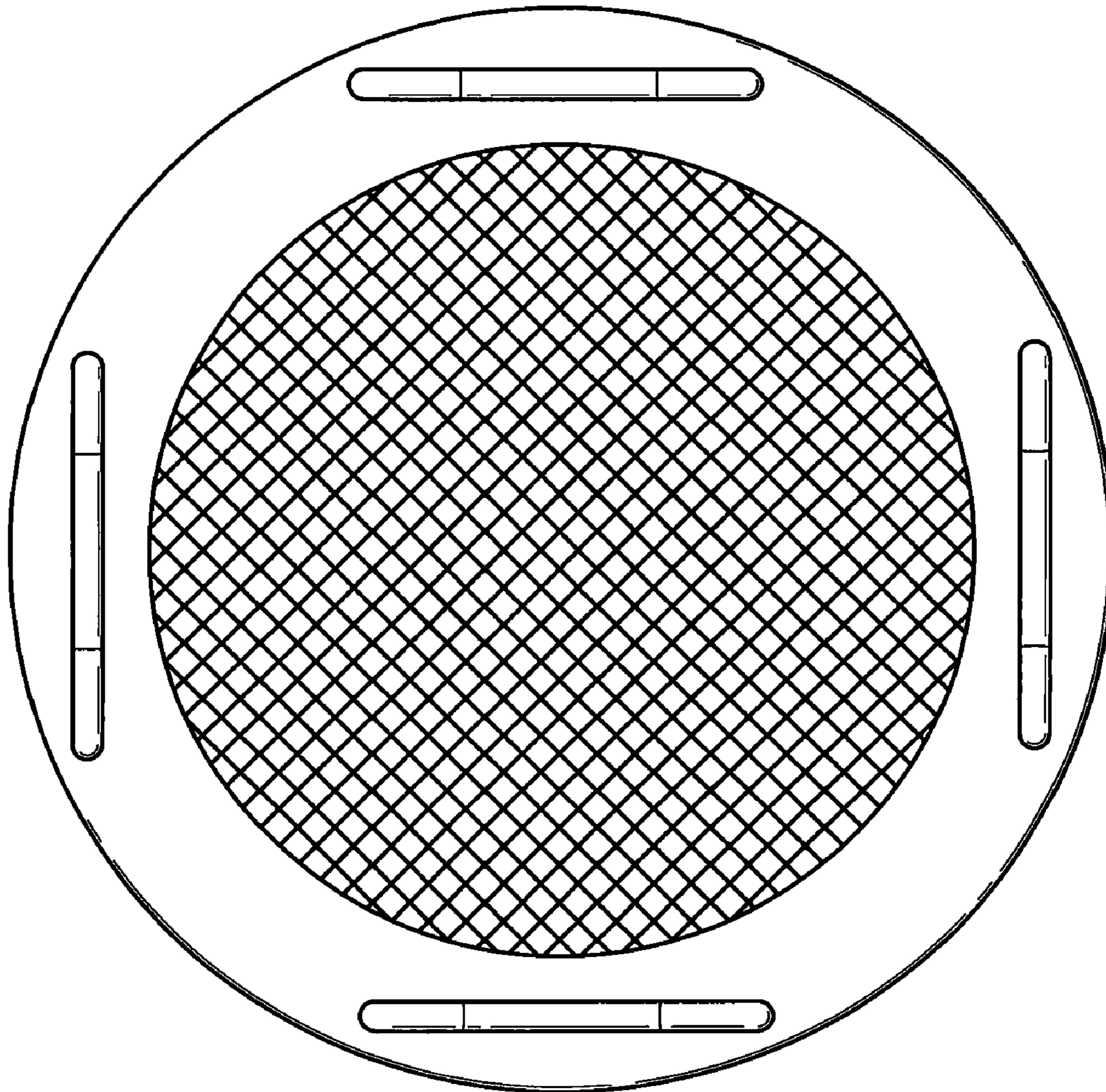


Fig. 5

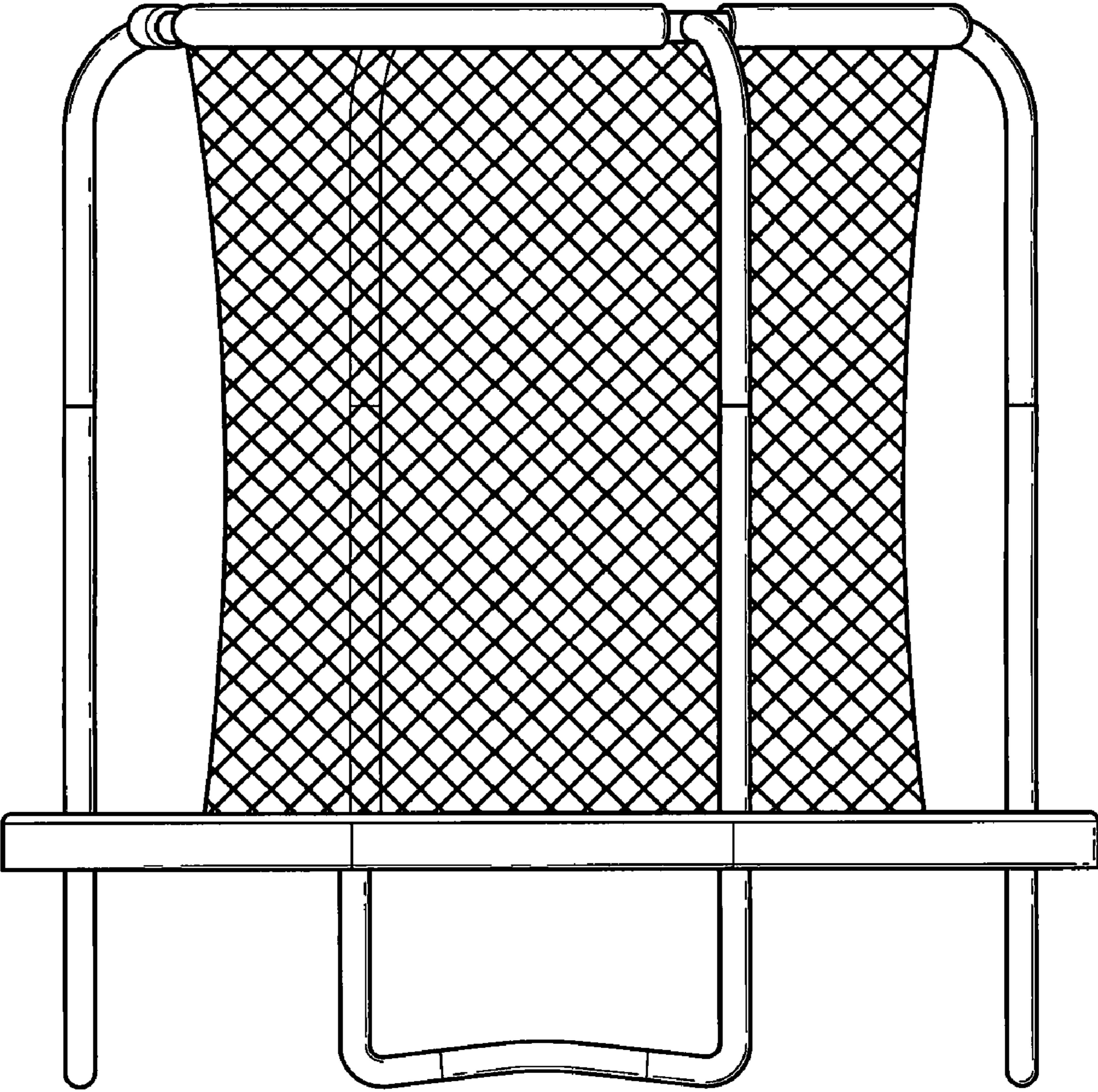


Fig. 6

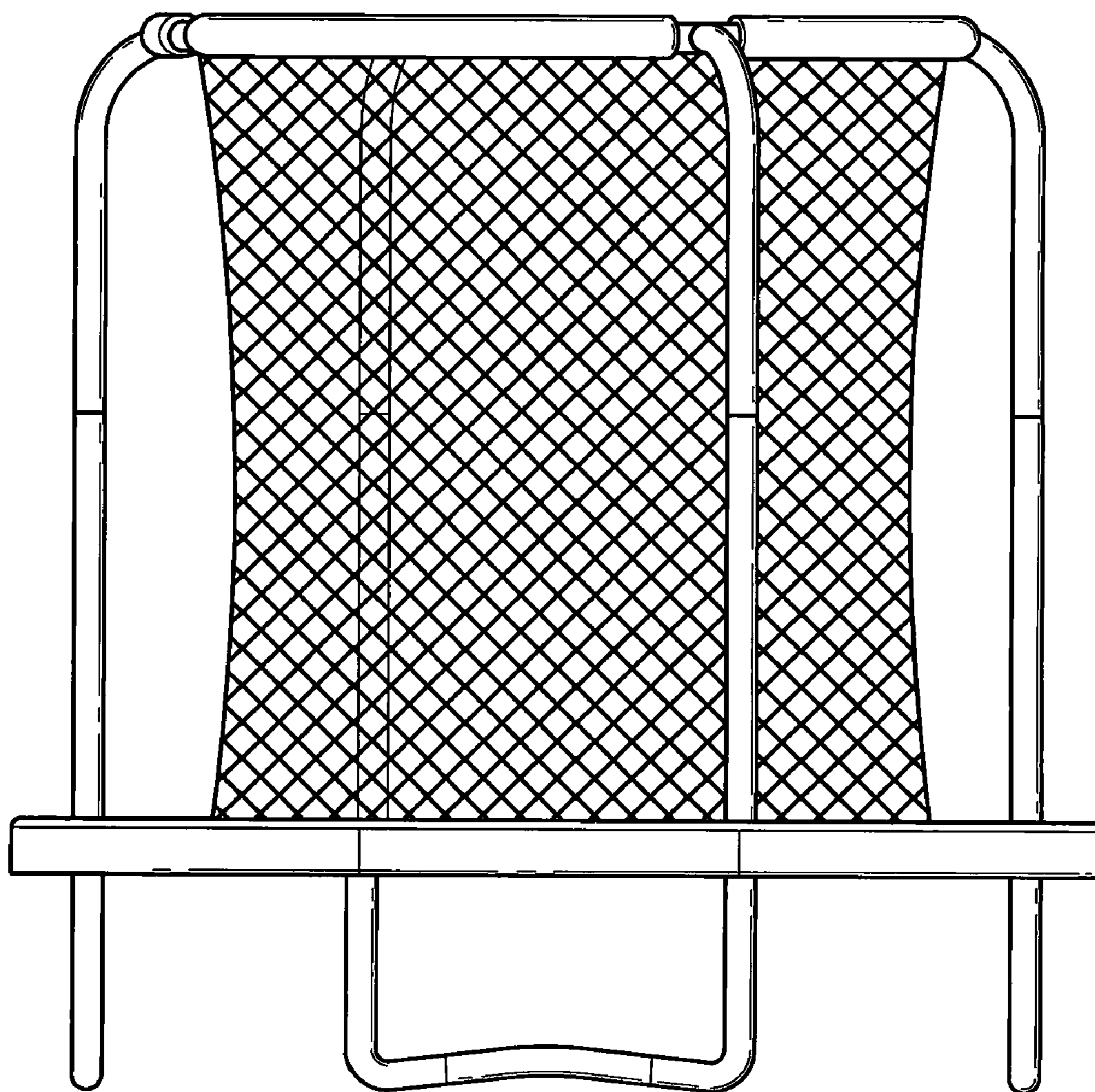


Fig. 7



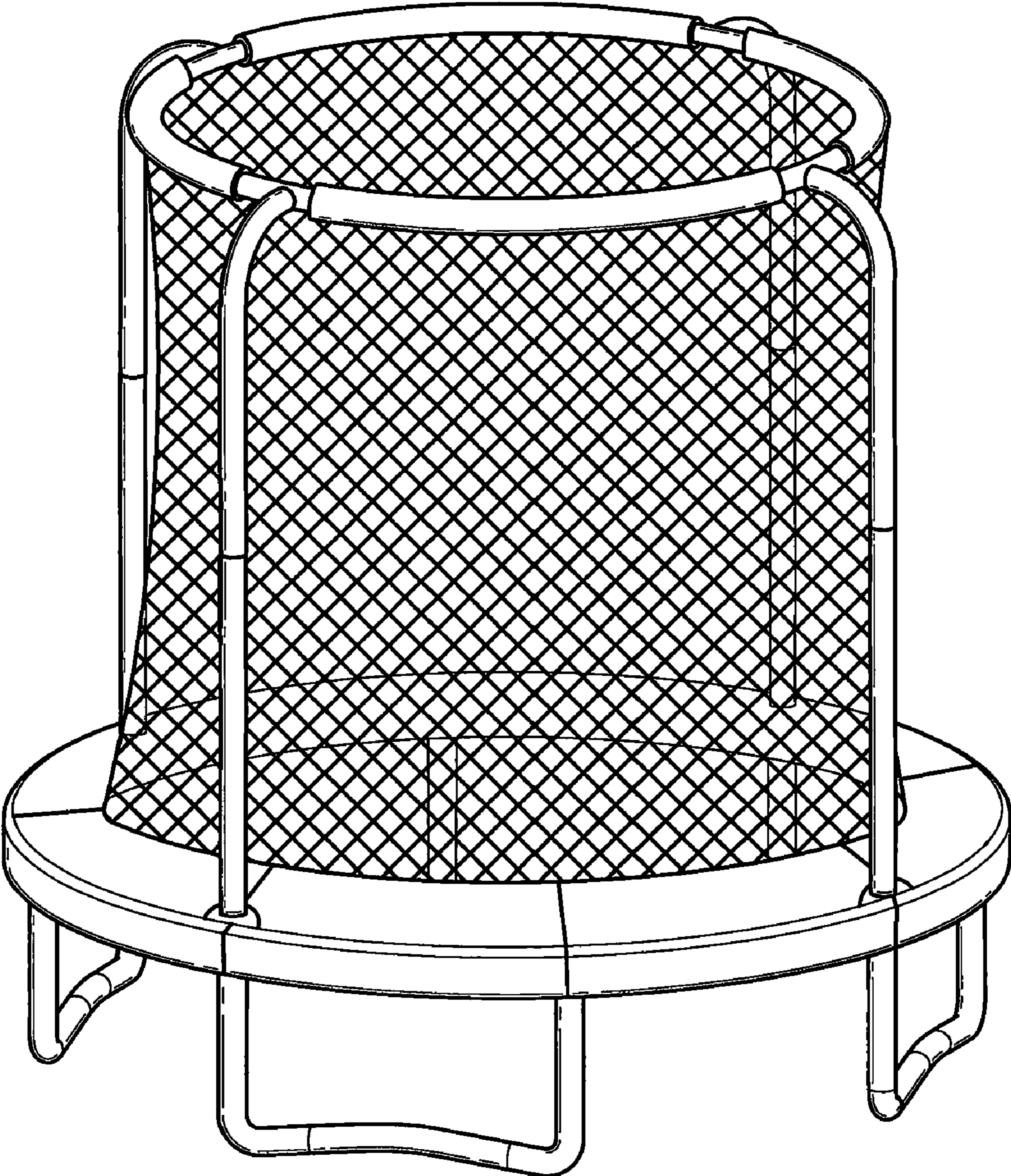


Fig. 8