



US00D630282S

(12) **United States Design Patent**  
**Ebanks**

(10) **Patent No.:** **US D630,282 S**

(45) **Date of Patent:** **\*\* Jan. 4, 2011**

(54) **SKATEBOARD ACCESSORY DEVICE**

(76) Inventor: **Joshua D. Ebanks**, 126 16th Ave. SW.,  
Ruskin, FL (US) 33570

(\*\*) Term: **14 Years**

(21) Appl. No.: **29/356,021**

(22) Filed: **Feb. 18, 2010**

(51) **LOC (9) Cl.** ..... **21-02**

(52) **U.S. Cl.** ..... **D21/771**

(58) **Field of Classification Search** ..... D21/419,  
D21/421, 423, 426, 760, 765, 766, 769, 771,  
D21/776, 803; 280/7.14, 11.115, 11.19,  
280/11.203, 11.27, 11.28, 14.21, 79.11, 87.01,  
280/87.021, 87.03, 87.041, 87.042, 607,  
280/608, 609, 809, 811, 816; 180/180, 181;  
D10/104, 109, 114; D24/38; 340/815.4,  
340/815.42, 815.45; 446/404, 409; 362/184,  
362/190, 191, 249.01, 249.02, 367, 545,  
362/806

See application file for complete search history.

(56) **References Cited**

**U.S. PATENT DOCUMENTS**

4,367,515	A *	1/1983	Beard	362/184
4,544,993	A *	10/1985	Kirk	362/367
4,824,139	A *	4/1989	Robbins	280/816
4,991,066	A	2/1991	McCowan	
4,997,196	A *	3/1991	Wood	280/87.042
5,004,256	A *	4/1991	Won	280/87.042
5,067,058	A	11/1991	Standley	
5,119,277	A	6/1992	Copley et al.	
5,130,693	A *	7/1992	Gigandet	340/815.45
5,132,883	A *	7/1992	La Lumandier	280/87.042
5,292,141	A	3/1994	Ekedal et al.	
D354,787	S *	1/1995	Stiles	280/11.19
D388,723	S *	1/1998	Williams et al.	D10/109
D441,678	S *	5/2001	Lyons	D10/114

6,621,419	B2 *	9/2003	Chiu	340/815.42
6,646,547	B2	11/2003	Chiu	
6,802,636	B1	10/2004	Bailey, Jr.	
7,048,284	B1 *	5/2006	Seifert	280/79.11
D530,384	S	10/2006	Harrington	
7,311,164	B1 *	12/2007	Kertes	180/180
7,708,289	B2 *	5/2010	Jaime, Sr.	280/11.203
7,712,937	B2 *	5/2010	Grossman	362/545
2003/0185019	A1 *	10/2003	Rogers et al.	362/545
2003/0201620	A1	10/2003	Seelye	
2004/0100055	A1	5/2004	Chang	
2005/0029767	A1 *	2/2005	Chang	280/87.042
2008/0036165	A1	2/2008	Reinson	

\* cited by examiner

*Primary Examiner*—Cynthia M Chin

(57) **CLAIM**

The ornamental design for a skateboard accessory device, as shown and described.

**DESCRIPTION**

FIG. 1 is a perspective view of a skateboard accessory device showing my new design;

FIG. 2 is a top view thereof;

FIG. 3 is a bottom view thereof;

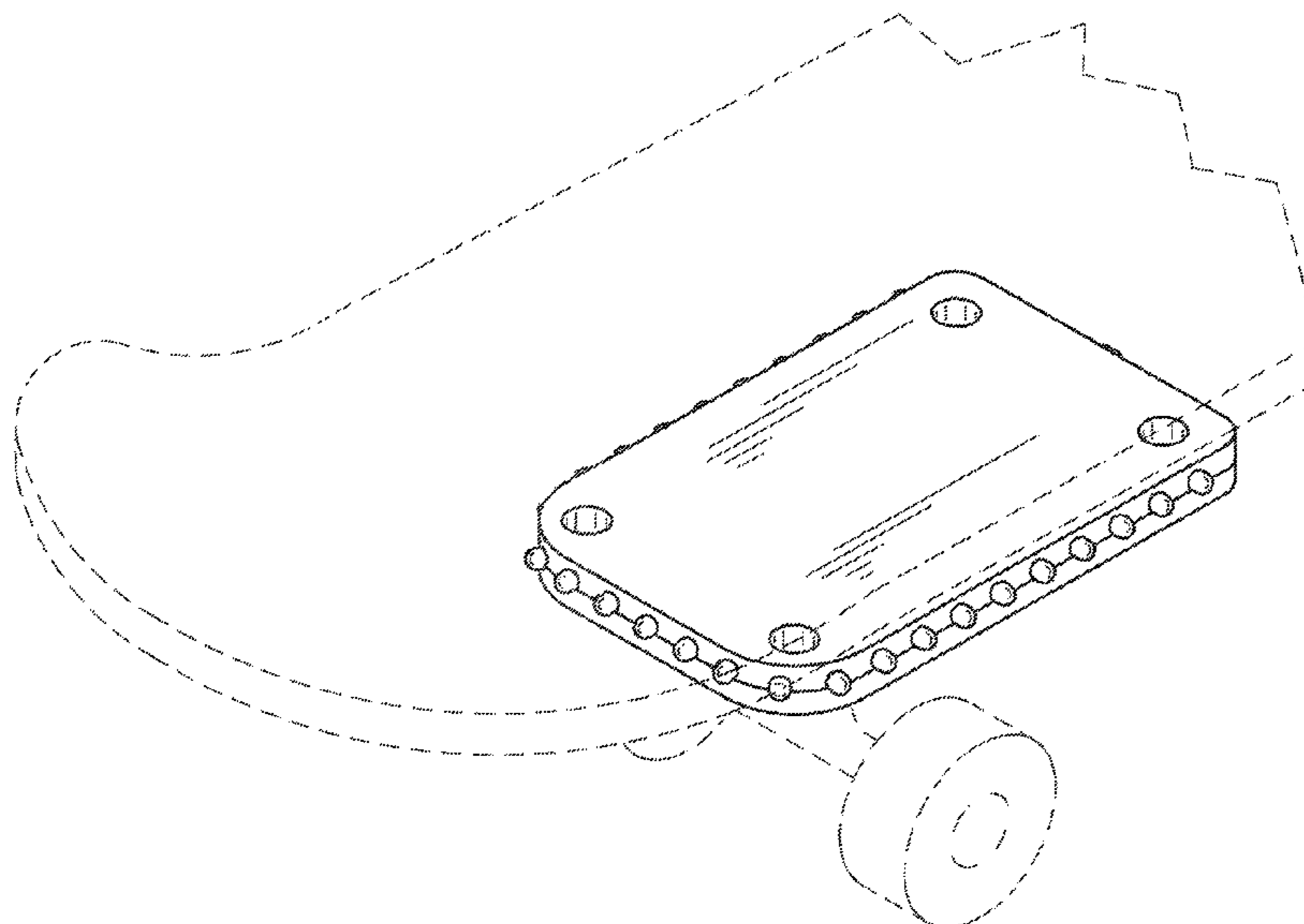
FIG. 4 is a front view thereof;

FIG. 5 is a back view thereof; and,

FIG. 6 is aside view thereof (opposite side view is mirror image).

In FIG. 1, the broken lines showing environmental structure are for the purposes of illustrating the skateboard accessory device in a condition of use. In FIGS. 3 & 4 the broken lines represent unclaimed portions of the design. None of the broken lines or the structures they depict forms a part of the claimed design.

**1 Claim, 3 Drawing Sheets**



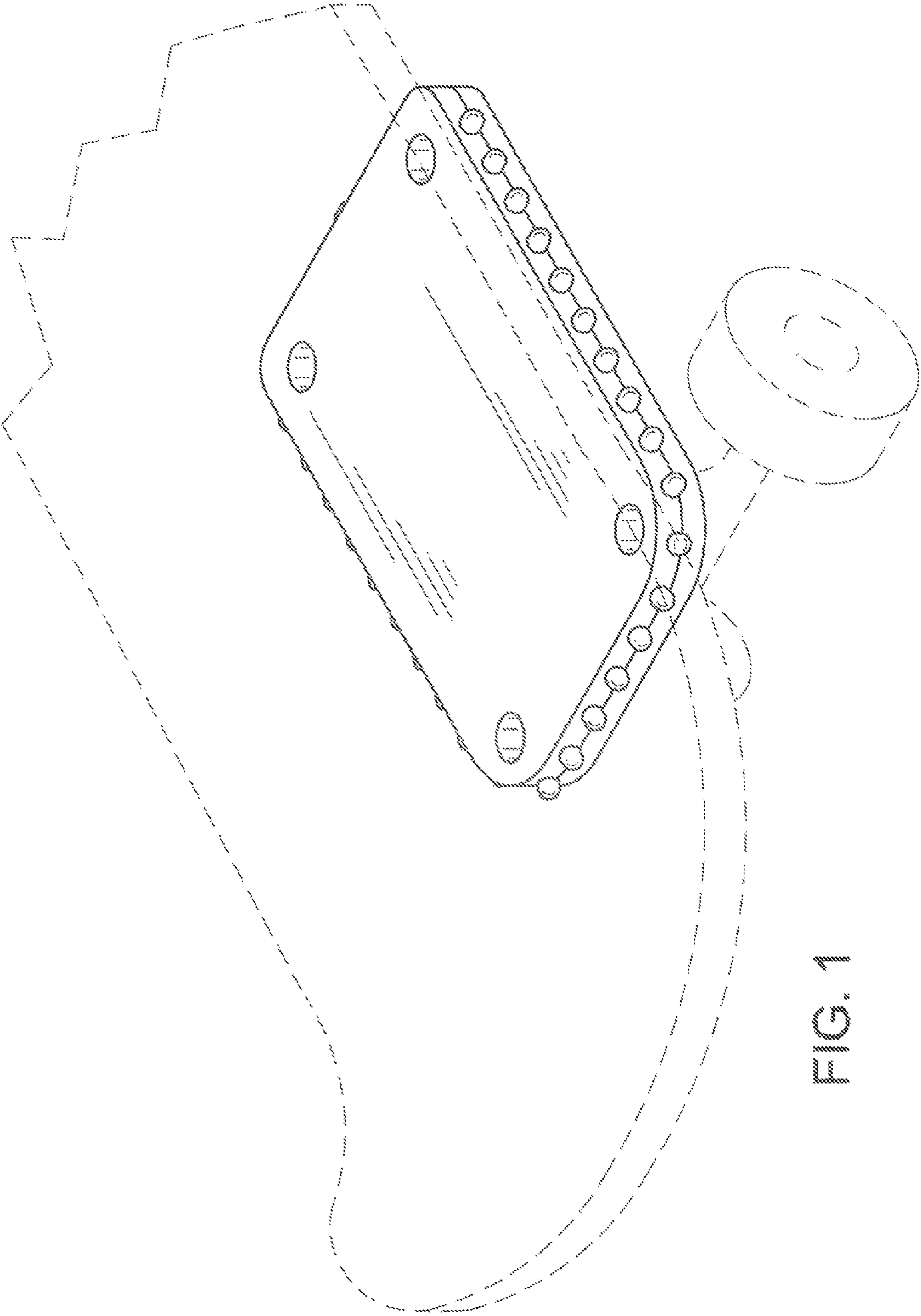


FIG. 1

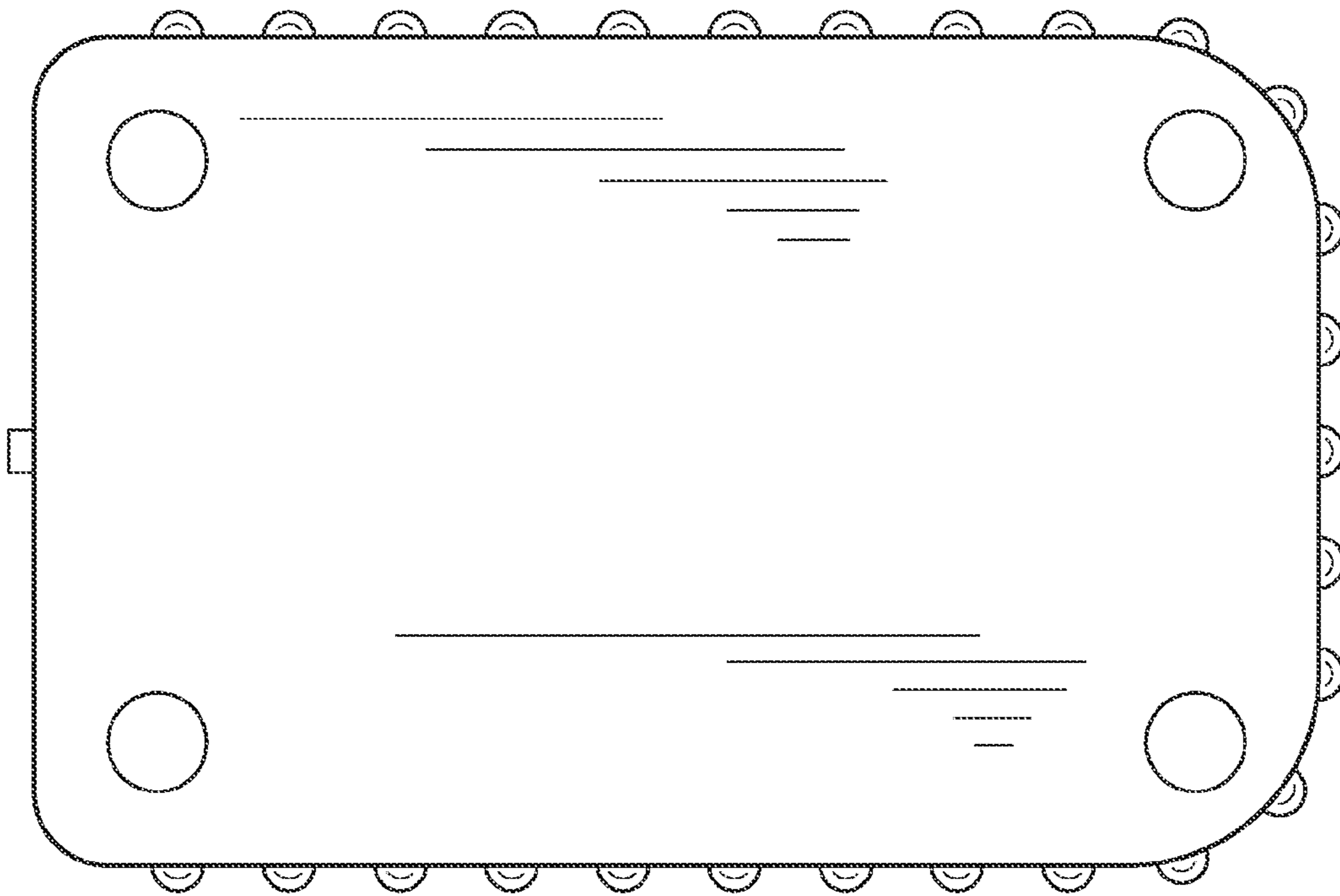


FIG. 2

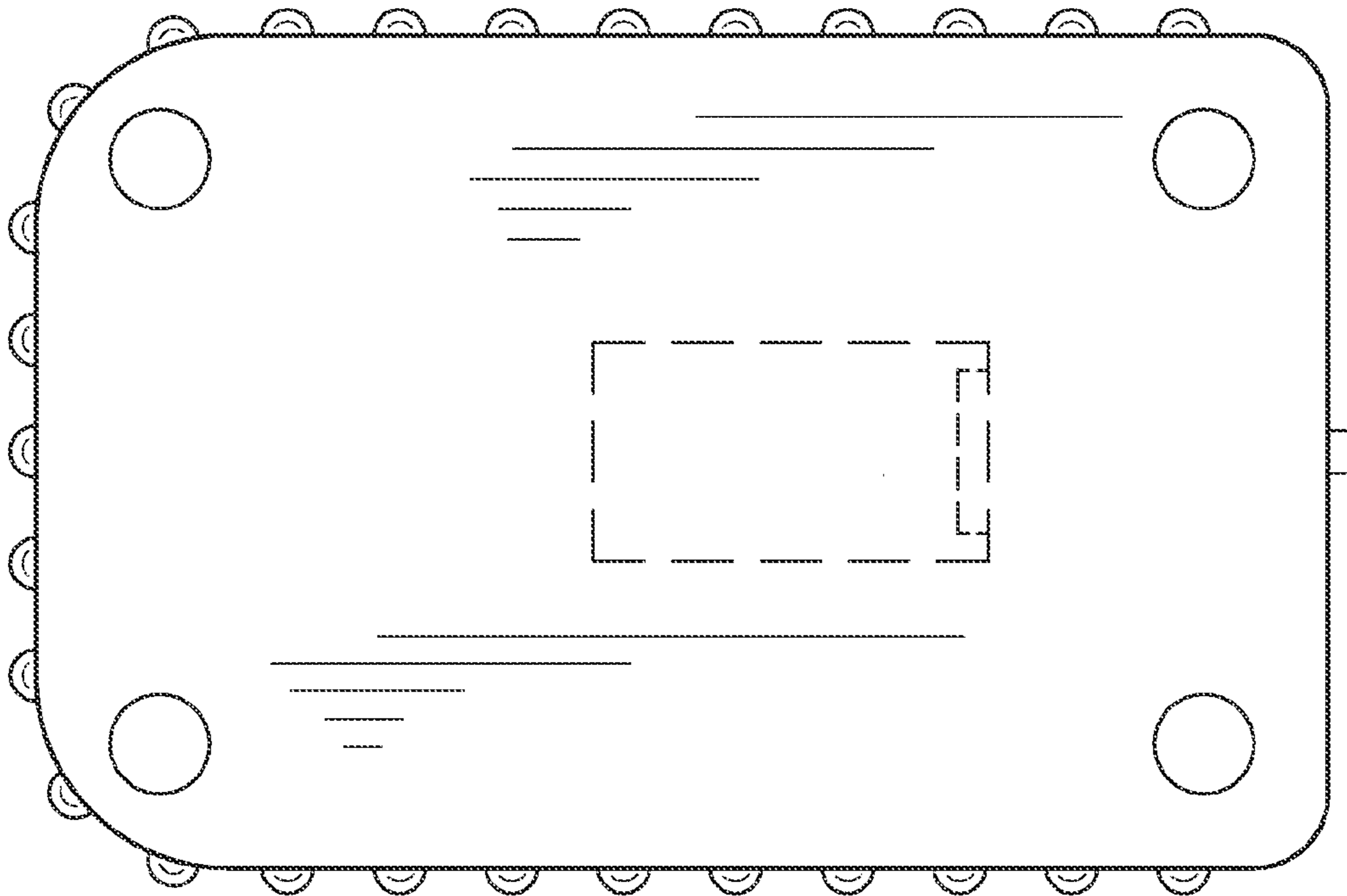


FIG. 3

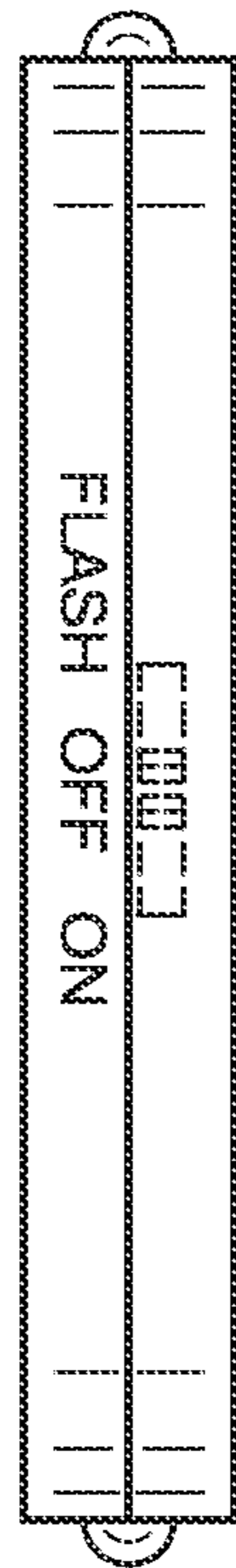


FIG. 4

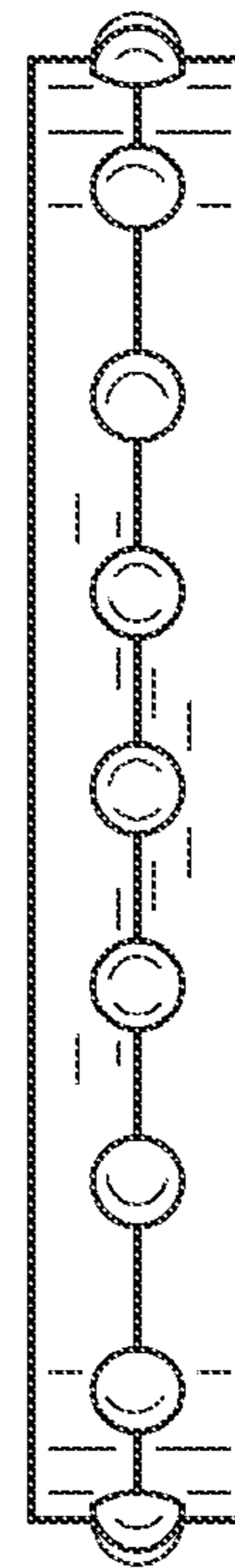


FIG. 5

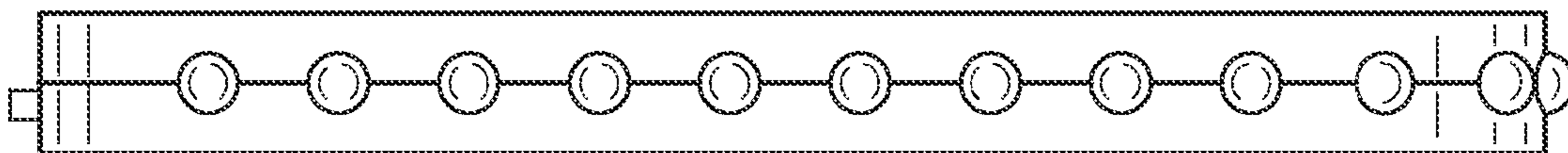


FIG. 6