



US00D630274S

(12) **United States Design Patent**
Babiarz

(10) **Patent No.:** **US D630,274 S**
(45) **Date of Patent:** **** Jan. 4, 2011**

(54) **INFLATABLE EXERCISE APPARATUS**

(75) Inventor: **Shawn P. Babiarz**, Chicago, IL (US)

(73) Assignee: **Koreextreme, LLC**, Chicago, IL (US)

(**) Term: **14 Years**

(21) Appl. No.: **29/344,703**

(22) Filed: **Oct. 2, 2009**

(51) **LOC (9) Cl.** **21-02**

(52) **U.S. Cl.** **D21/686**; D21/662; D21/671

(58) **Field of Classification Search** D21/662,
D21/670-671, 685-686, 688-689, 692, 694;
482/52, 79-80, 121-123, 129-130, 140,
482/142, 146-147

See application file for complete search history.

(56) **References Cited**

U.S. PATENT DOCUMENTS

D261,909	S *	11/1981	Heatwole	D21/688
5,256,118	A *	10/1993	Chen	482/53
5,292,296	A *	3/1994	Davignon	482/146
5,301,441	A *	4/1994	Kownacki	36/7.8
D360,664	S *	7/1995	Stone	D21/671
5,656,000	A *	8/1997	Russell	482/52
5,730,690	A *	3/1998	Guidry	482/146
6,306,068	B1 *	10/2001	Heatwole	482/146
6,422,983	B1	7/2002	Weck		
6,554,753	B1	4/2003	Weck et al.		
6,575,855	B1	6/2003	Buzak et al.		
D481,086	S *	10/2003	Broudy	D21/689
6,676,579	B1 *	1/2004	Lin	482/146
D507,311	S *	7/2005	Butler et al.	D21/686
7,614,990	B2 *	11/2009	Baek	482/146
2007/0202996	A1 *	8/2007	Lu et al.	482/52
2007/0232458	A1 *	10/2007	Liao	482/52
2008/0194392	A1 *	8/2008	Langer et al.	482/146

2008/0280741	A1 *	11/2008	Baek	482/146
2009/0054218	A1 *	2/2009	Tsai	482/147
2010/0087299	A1 *	4/2010	Babiarz	482/142

OTHER PUBLICATIONS

Apr. 12, 2010 Office Action for U.S. Appl. No. 12/572,402, for application entitled "Inflatable Exercise Apparatus."
U.S. Appl. No. 12/572,402, entitled Inflatable Exercise Apparatus, filed Oct. 2, 2009; named inventor: Shawn P. Babiarz.
U.S. Appl. No. 29/344,700, entitled Inflatable Exercise Apparatus, filed Oct. 2, 2009; named inventor: Shawn P. Babiarz.

* cited by examiner

Primary Examiner—Susan E Krakower

(74) *Attorney, Agent, or Firm*—McAndrews, Held & Malloy, Ltd.

(57) **CLAIM**

The ornamental design for an inflatable exercise apparatus, as shown and described.

DESCRIPTION

FIG. 1 is a side perspective view of an inflatable exercise apparatus;

FIG. 2 is a bottom perspective view thereof;

FIG. 3 is a front side view thereof;

FIG. 4 is a top view thereof;

FIG. 5 is a back side view thereof;

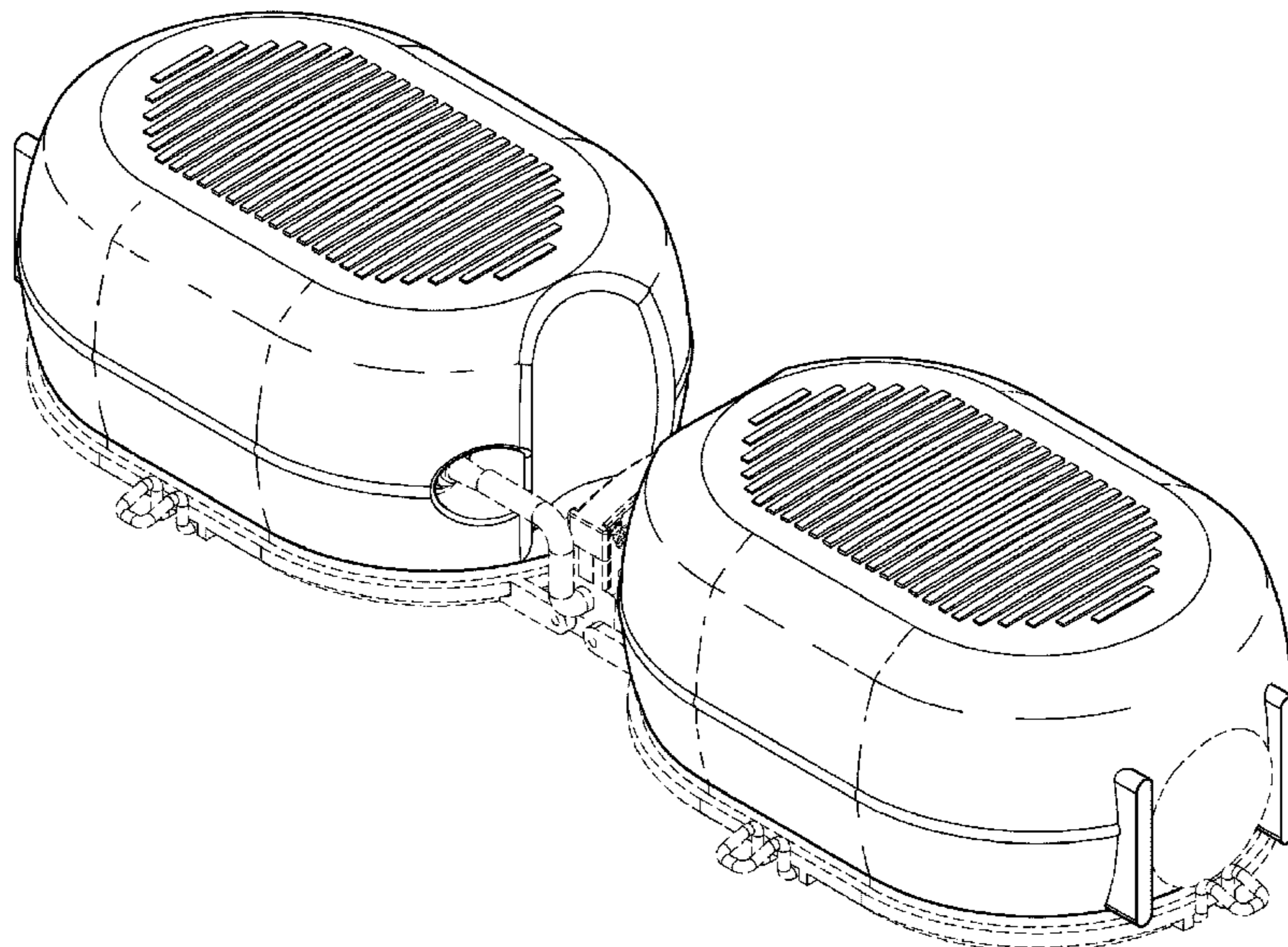
FIG. 6 is a bottom view thereof;

FIG. 7 is a right side view thereof; and,

FIG. 8 is a left side view thereof.

The broken lines illustrate portions of the inflatable exercise apparatus which form no part of the claimed design.

1 Claim, 5 Drawing Sheets



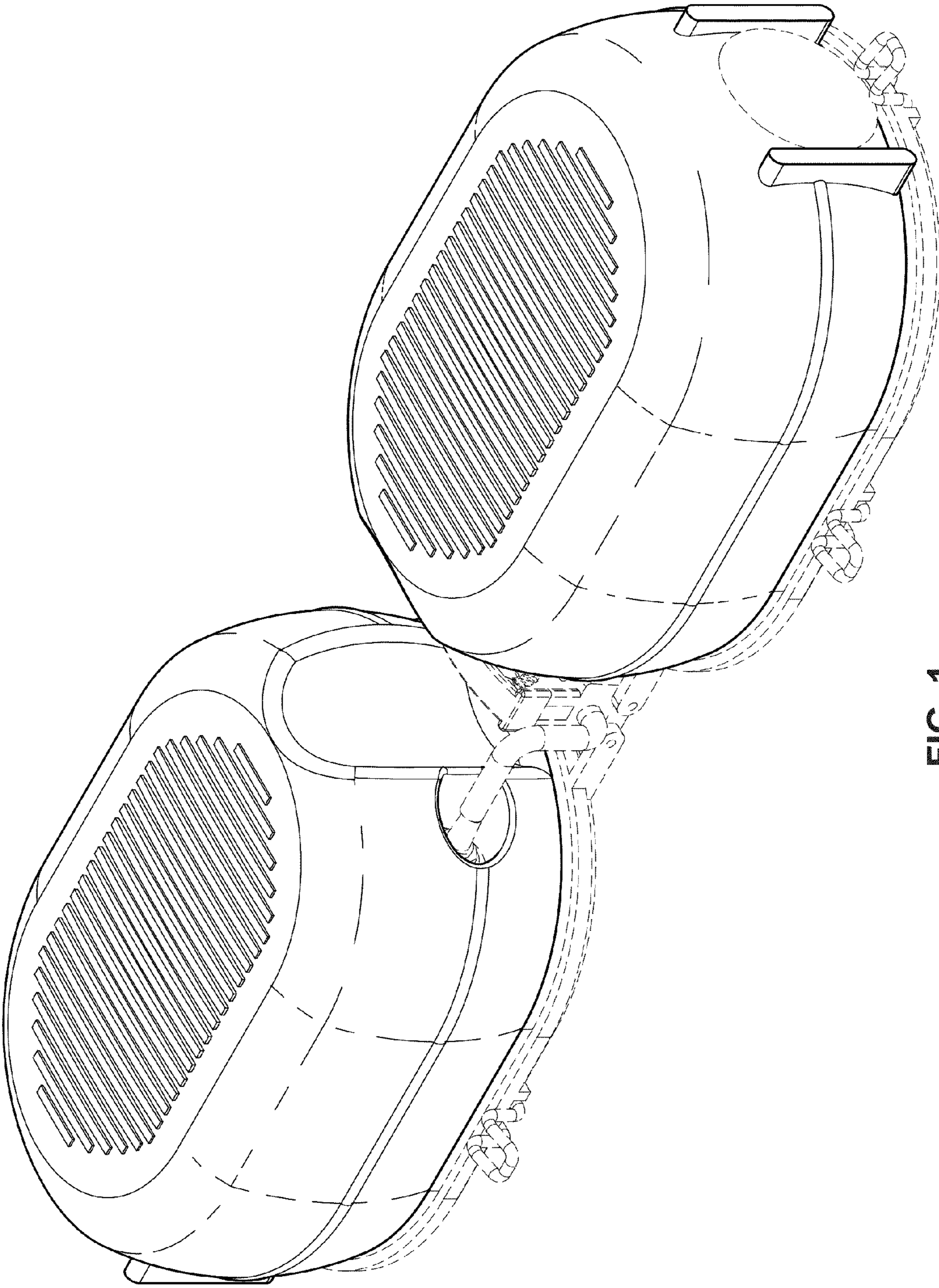


FIG. 1

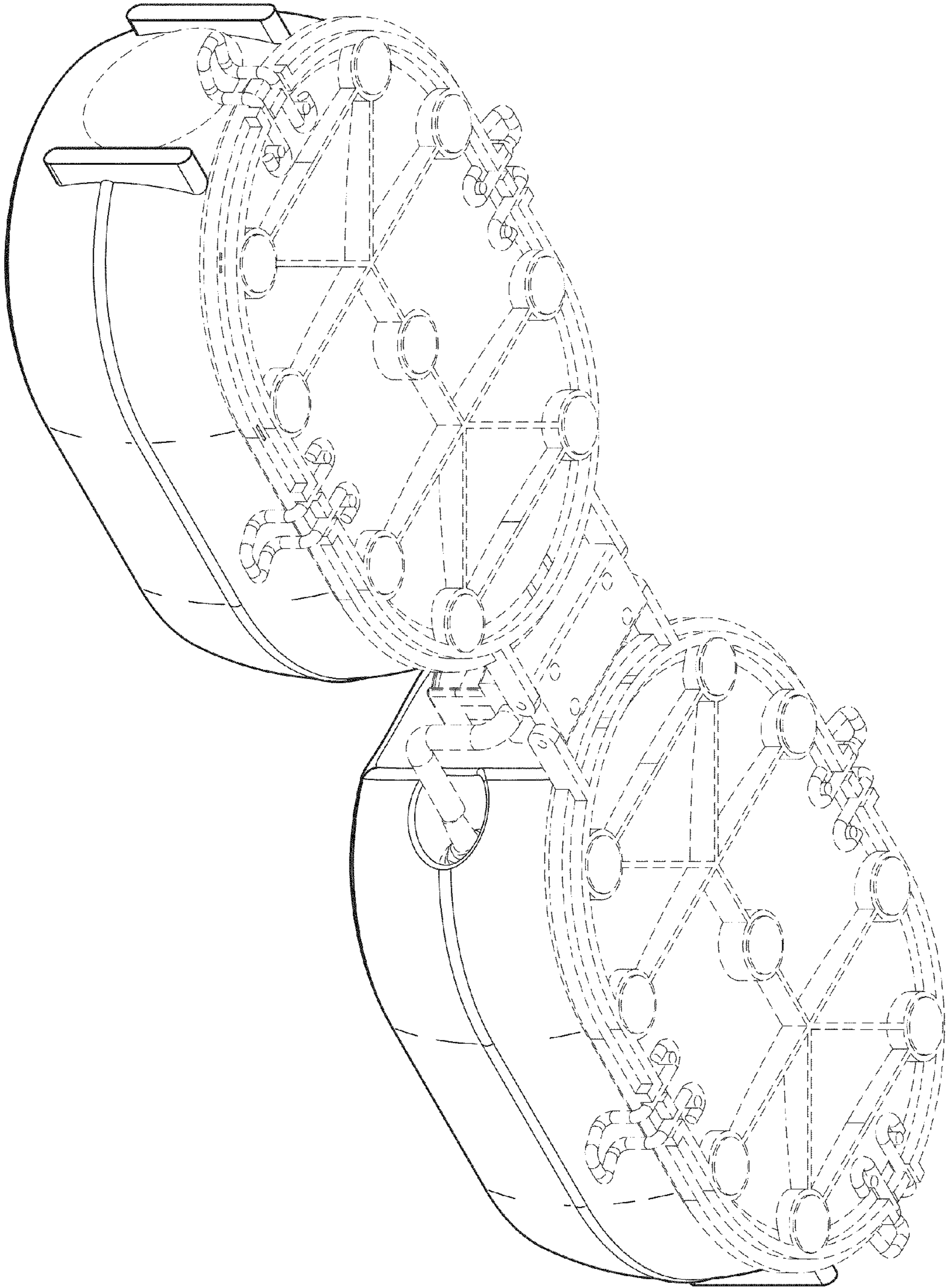


FIG. 2

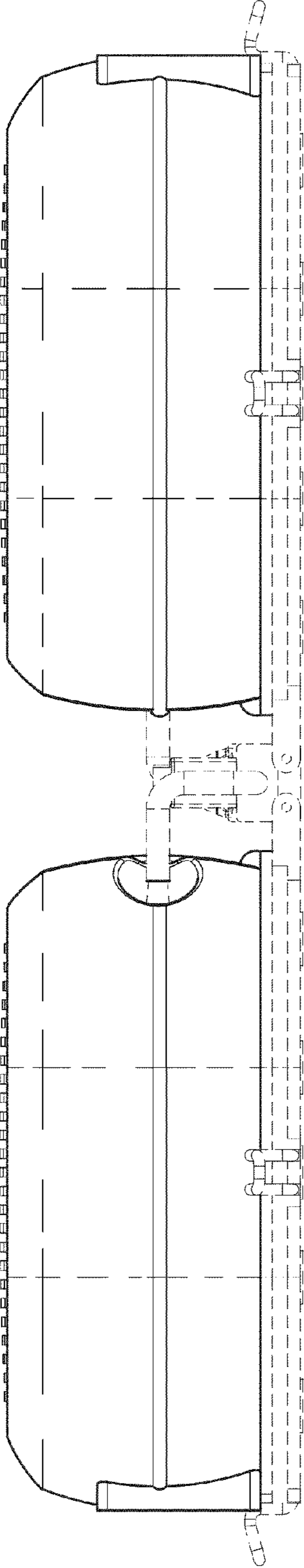


FIG. 3

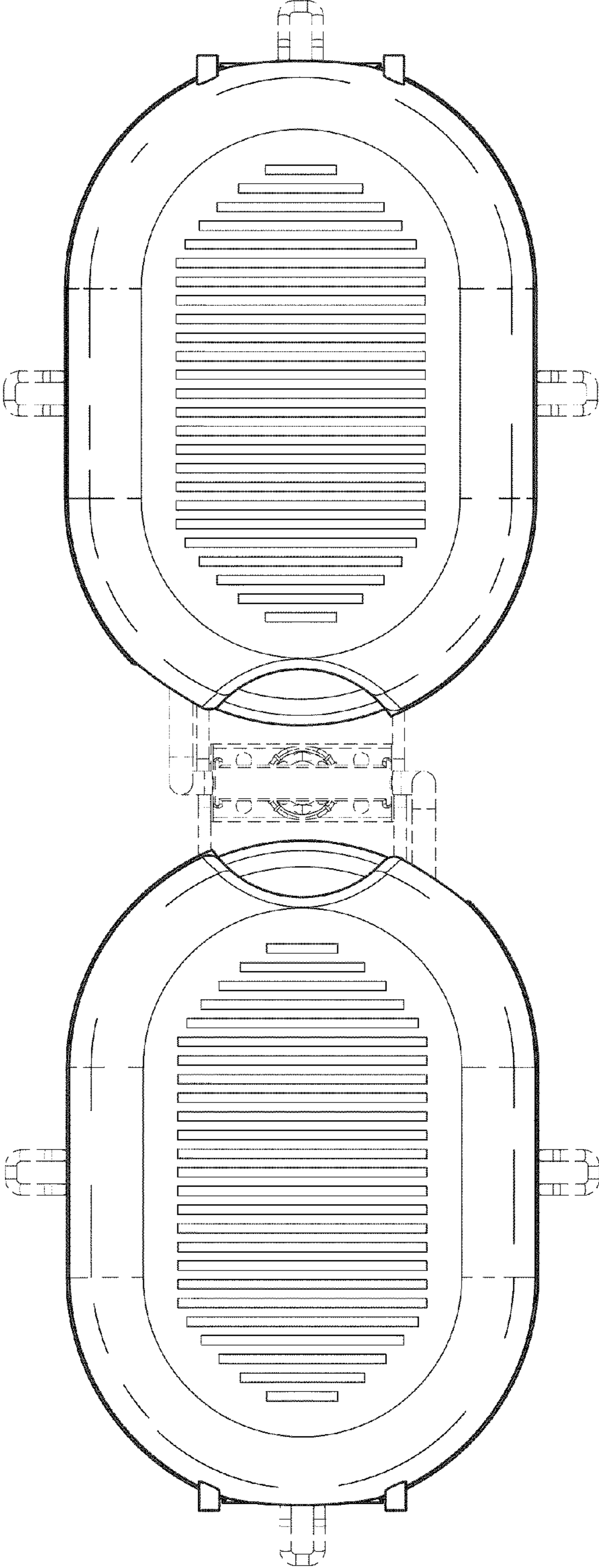


FIG. 4

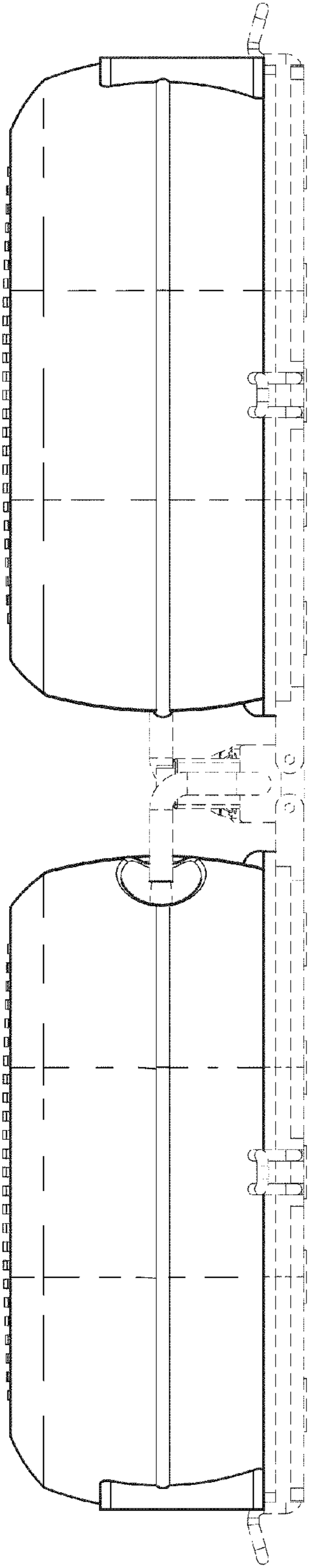


FIG. 5

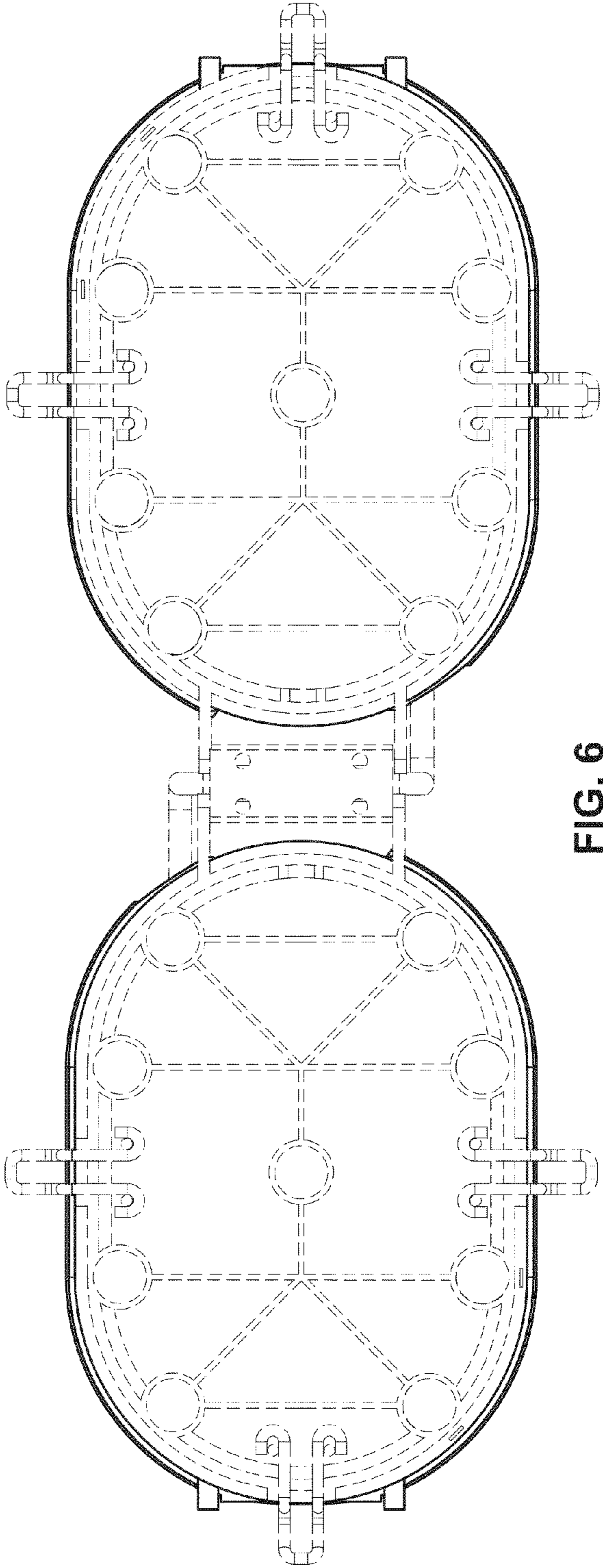


FIG. 6

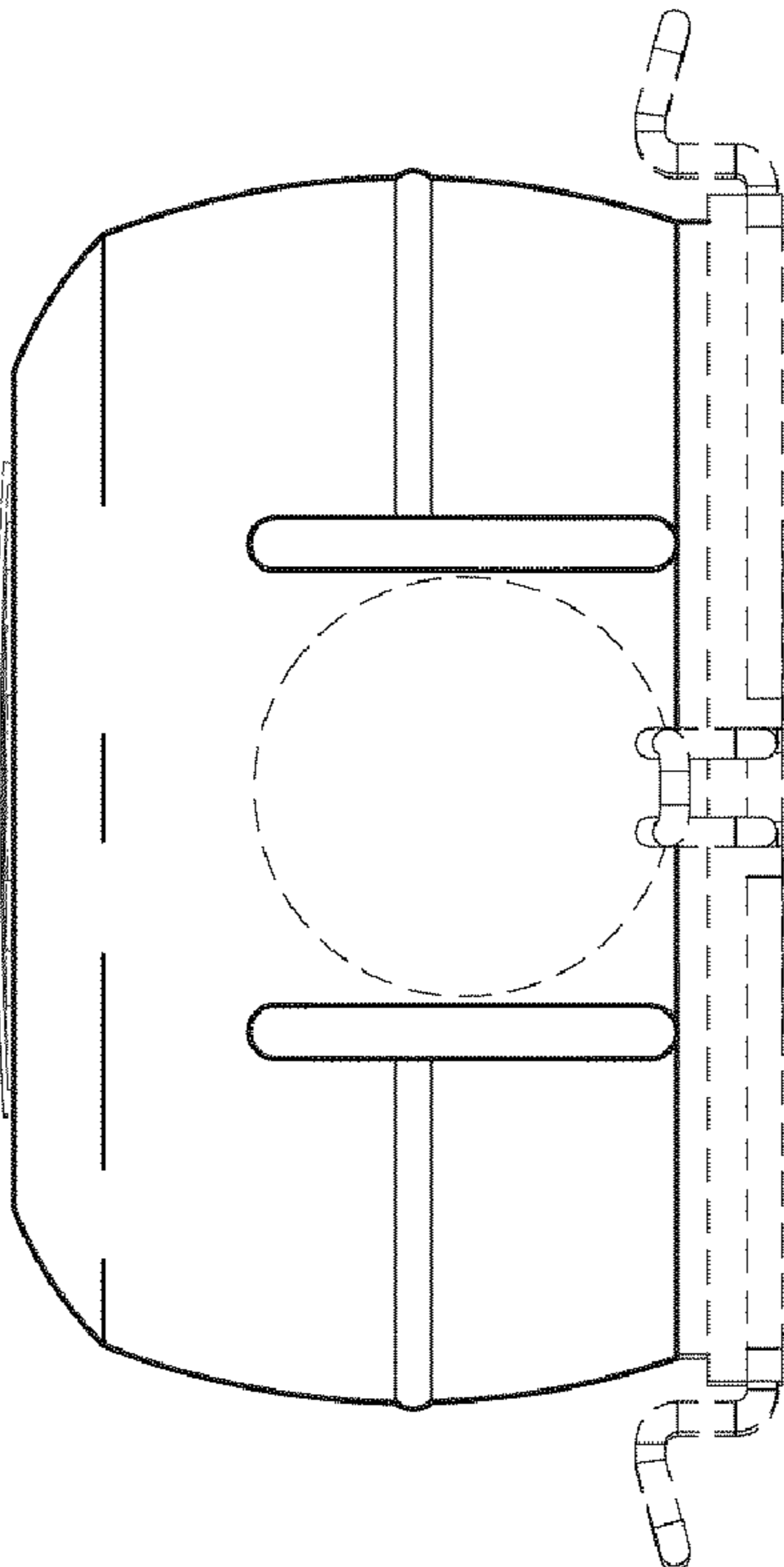


FIG. 8

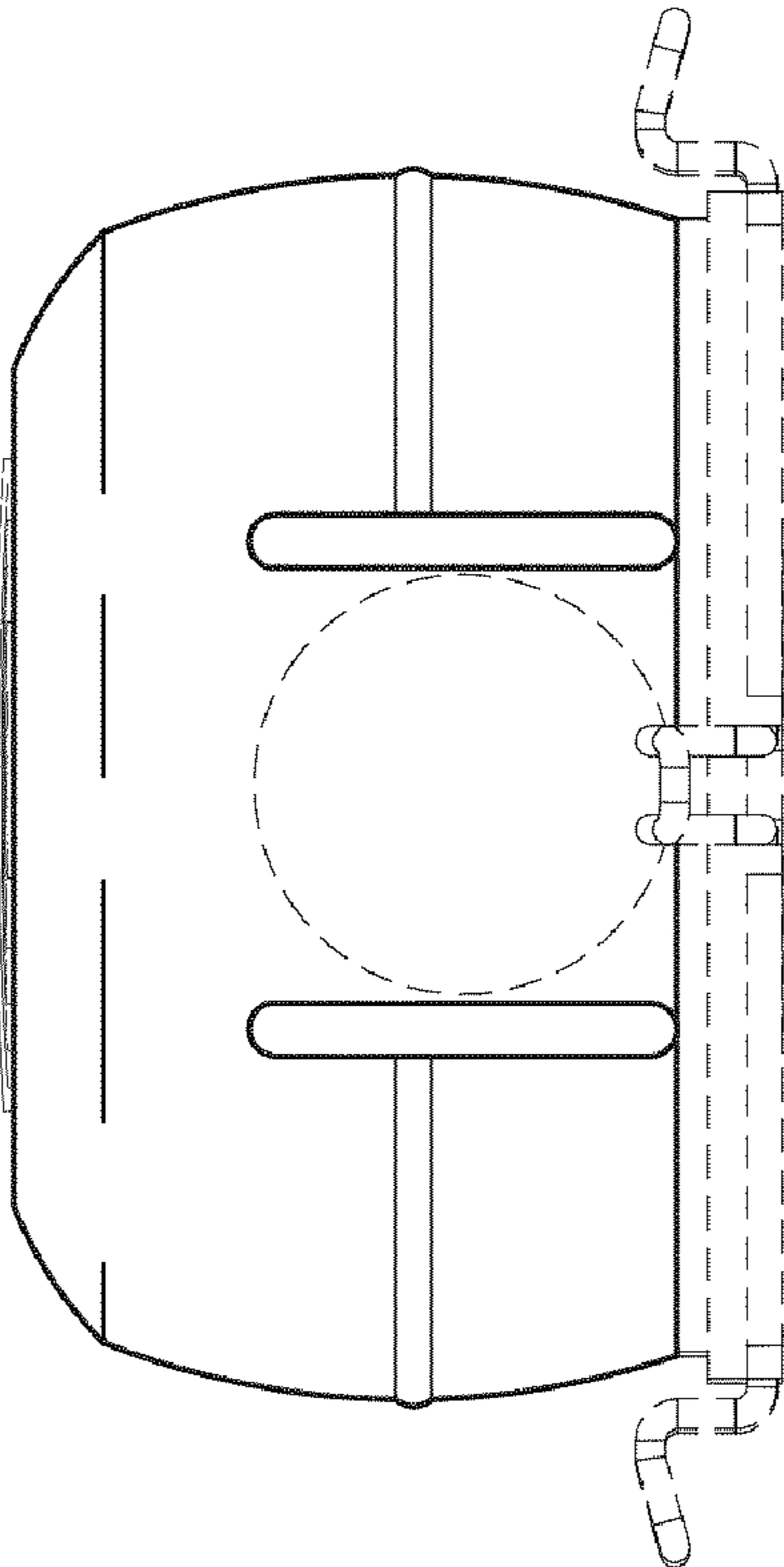


FIG. 7