



US00D630273S

(12) **United States Design Patent**
Kang

(10) **Patent No.:** **US D630,273 S**
(45) **Date of Patent:** **** Jan. 4, 2011**

- (54) **TOY VEHICLE CONTROLLER**
- (75) Inventor: **Paulo Kang**, Burbank, CA (US)
- (73) Assignee: **Mattel, Inc.**, El Segundo, CA (US)
- (**) Term: **14 Years**
- (21) Appl. No.: **29/346,282**
- (22) Filed: **Oct. 29, 2009**

D328,315 S 7/1992 Shulman
 5,127,658 A 7/1992 Openiano
 5,344,354 A 9/1994 Wiley
 D375,326 S 11/1996 Yokoi et al.
 5,820,462 A * 10/1998 Yokoi et al. 463/37

(Continued)

FOREIGN PATENT DOCUMENTS

EP 1594104 11/2005

(Continued)

OTHER PUBLICATIONS

Colin Williamson. "PS2 Launch: Ridge Racer V Peripherals" dated Mar. 6, 2000 <URL: [HTTPS://PS2.IGN.COM/ARTICLES/076/076167P1.HTML](https://ps2.ign.com/articles/076/076167P1.html)>, 2 pages.

(Continued)

Primary Examiner—Cynthia M Chin
(74) *Attorney, Agent, or Firm*—Panitch Schwarze Belisario & Nadel LLP

(57) **CLAIM**

The ornamental design for a toy vehicle controller, as shown.

Related U.S. Application Data

- (60) Division of application No. 29/326,111, filed on Oct. 13, 2008, now Pat. No. Des. 608,843, which is a continuation-in-part of application No. 29/307,660, filed on May 2, 2008, now abandoned, which is a continuation of application No. 29/306,769, filed on Apr. 16, 2008, now abandoned.

- (51) **LOC (9) Cl.** **21-01**
- (52) **U.S. Cl.** **D21/566**
- (58) **Field of Classification Search** D21/324, D21/333, 421, 477, 566; D14/400, 401, D14/414, 454, 217, 218, 358, 155; D13/168; 446/454-456, 462; 463/6, 7, 35, 36, 37, 463/38, 39, 46, 47; D8/303; 345/156-158; 434/61

See application file for complete search history.

(56) **References Cited**

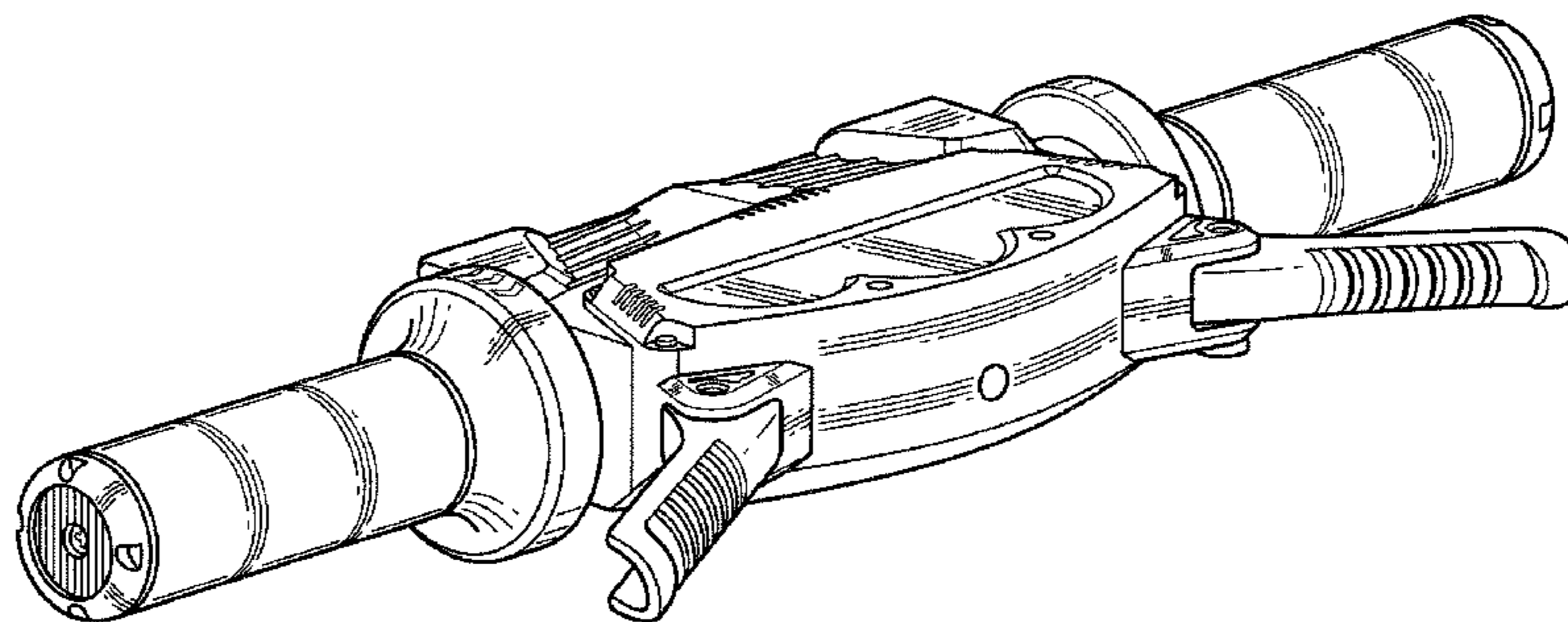
U.S. PATENT DOCUMENTS

D169,039 S 3/1953 Hoffman
 D259,939 S 7/1981 Rubin
 D261,017 S * 9/1981 Birdsall et al. D21/477
 4,445,011 A 4/1984 Hansen
 4,531,751 A 7/1985 Todokoro
 D285,467 S 9/1986 George et al.
 D309,645 S * 7/1990 Kuen D21/421
 4,976,429 A 12/1990 Nagel
 5,059,958 A 10/1991 Jacobs et al.
 D322,298 S 12/1991 Sternbach
 5,087,000 A 2/1992 Suto
 5,125,843 A 6/1992 Holloway

DESCRIPTION

FIG. 1 is a perspective view of the top, front and right sides of a toy vehicle controller in accordance with the new design;
 FIG. 2 is a top plan view thereof
 FIG. 3 is a bottom plan view thereof;
 FIG. 4 is a rear elevation view thereof;
 FIG. 5 is a front elevation view thereof;
 FIG. 6 is an elevational view of the right side thereof; and,
 FIG. 7 is an elevational view of the left side thereof.

1 Claim, 5 Drawing Sheets



US D630,273 S

Page 2

U.S. PATENT DOCUMENTS

D403,367 S 12/1998 Lebensfeld et al.
D418,177 S 12/1999 Lebensfeld et al.
D419,826 S 2/2000 Edwards et al.
D422,996 S 4/2000 Alviar et al.
D433,077 S 10/2000 Yamazaki
6,210,278 B1* 4/2001 Klitsner 463/35
6,234,800 B1* 5/2001 Koyama et al. 434/61
6,251,015 B1 6/2001 Caprai
6,371,829 B1 4/2002 Kato et al.
D464,684 S 10/2002 Arai et al.
6,461,238 B1 10/2002 Rehkemper et al.
6,544,124 B2 4/2003 Ireland et al.
6,612,893 B2 9/2003 Rehkemper et al.
6,614,420 B1* 9/2003 An et al. 345/156
6,664,946 B1* 12/2003 Stipes et al. 345/157
6,692,333 B2 2/2004 Kislevitz et al.
6,811,491 B1 11/2004 Levenberg et al.
D509,266 S 9/2005 Gollhofer
6,966,807 B2 11/2005 Leonov et al.
D513,045 S 12/2005 Yuen
D519,118 S 4/2006 Woodward
7,156,778 B1 1/2007 Blough

D557,752 S 12/2007 Martino et al.
D558,766 S 1/2008 Kutaragi et al.
D562,323 S 2/2008 Kutaragi et al.
7,387,513 B2* 6/2008 Makuta et al. 434/61
7,407,439 B1* 8/2008 Ochoa 463/37
7,542,811 B2* 6/2009 Lin et al. 345/158
7,682,218 B2* 3/2010 Yu et al. 446/462
2004/0198522 A1 10/2004 Makuta et al.
2004/0259059 A1 12/2004 Aoki et al.
2006/0178085 A1 8/2006 Sotereanos et al.
2006/0258452 A1 11/2006 Hsu

FOREIGN PATENT DOCUMENTS

JP 2002362446 12/2002
JP 2006255400 9/2006

OTHER PUBLICATIONS

“The NeGcon: Gaming with a Twist” <URL <http://www.bytecellar.com/archives/000100.php>> total 2 pages; dated Mar. 19, 2007.
M. Wiley. “Nintendo WaveBird Review” dated Jun. 11, 2002 <URL: <http://cube.ign.com/articles/059/059188p1.html>> 1 page.

* cited by examiner

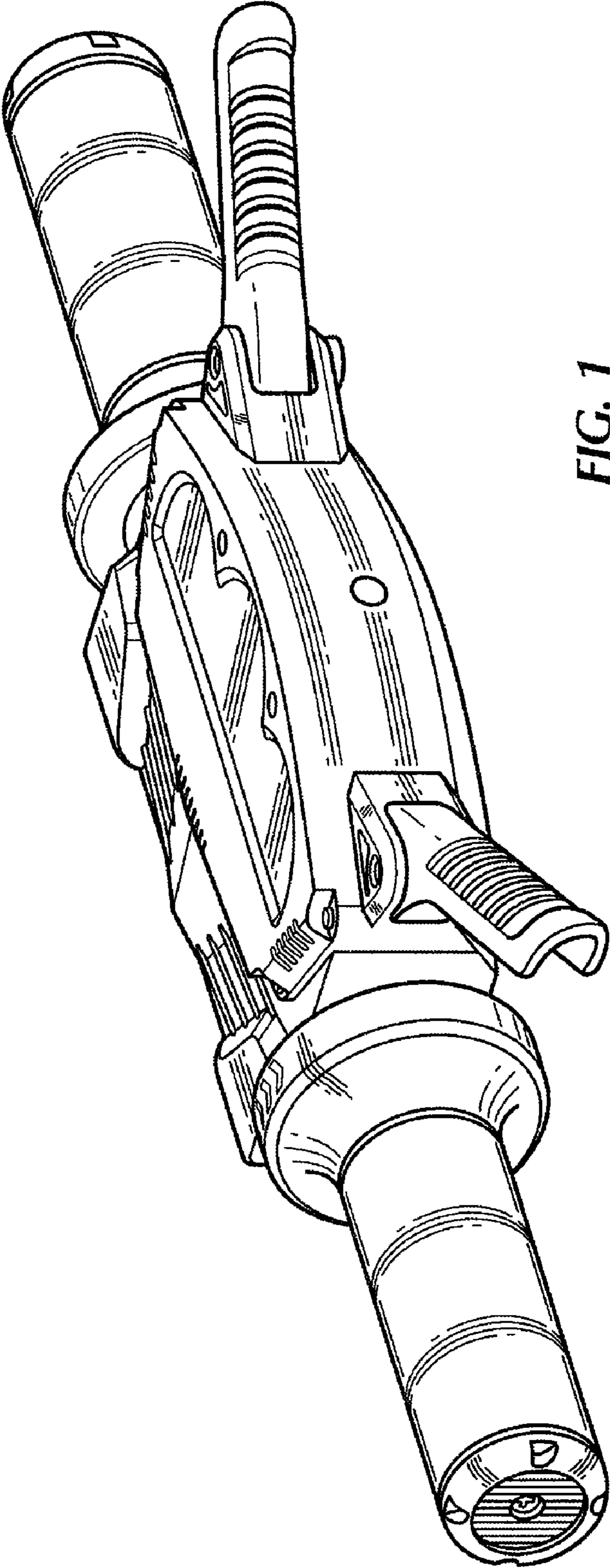


FIG. 1

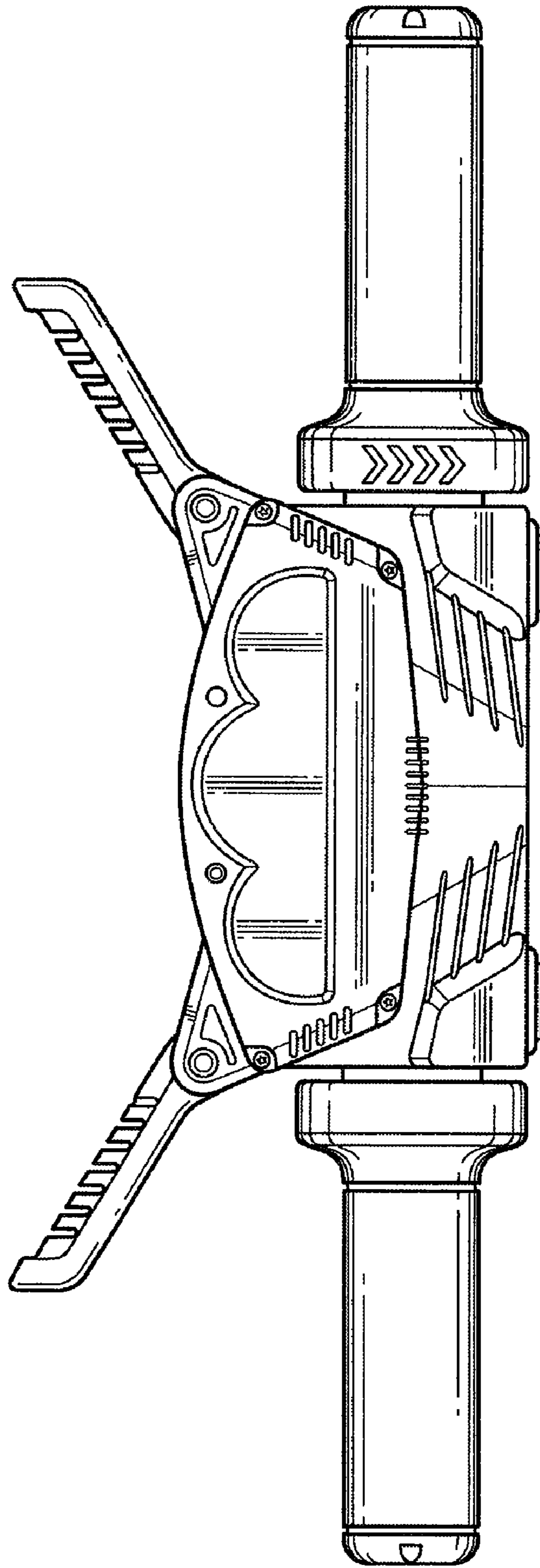


FIG. 2

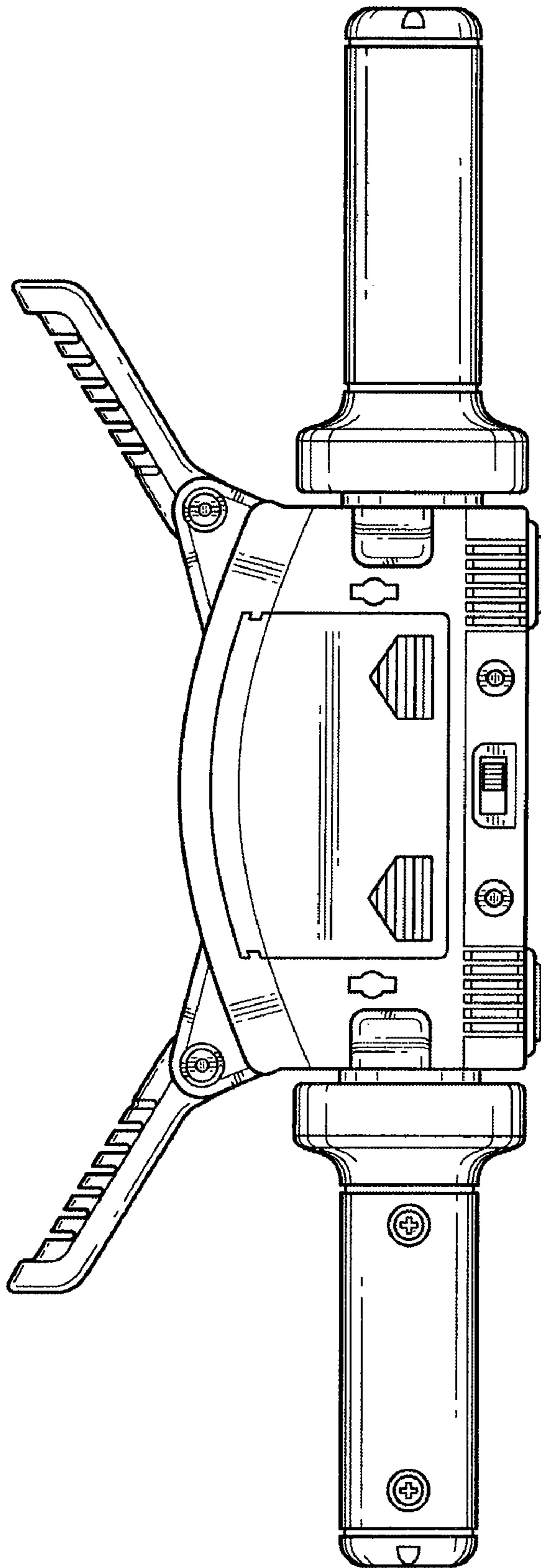


FIG. 3

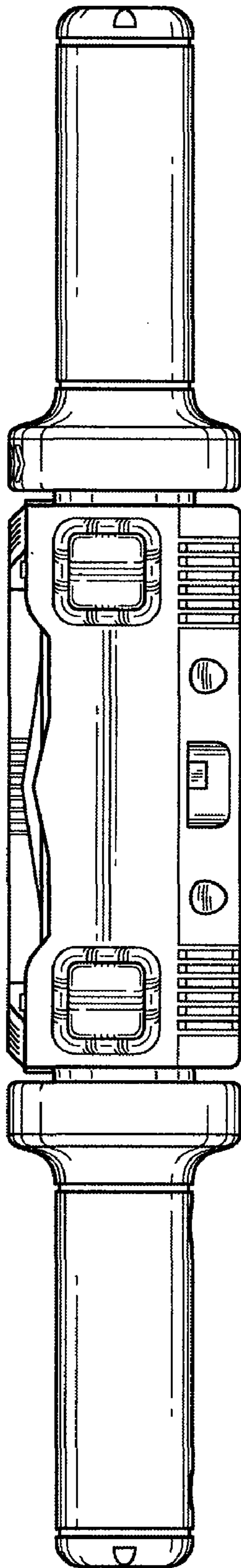


FIG. 4

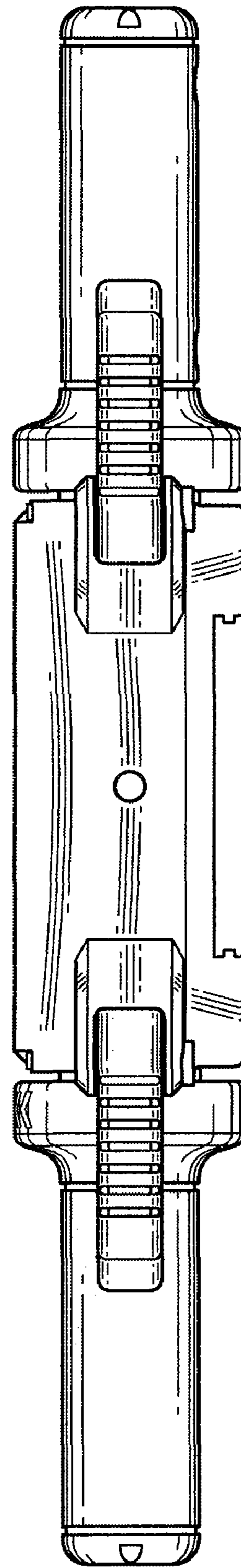


FIG. 5

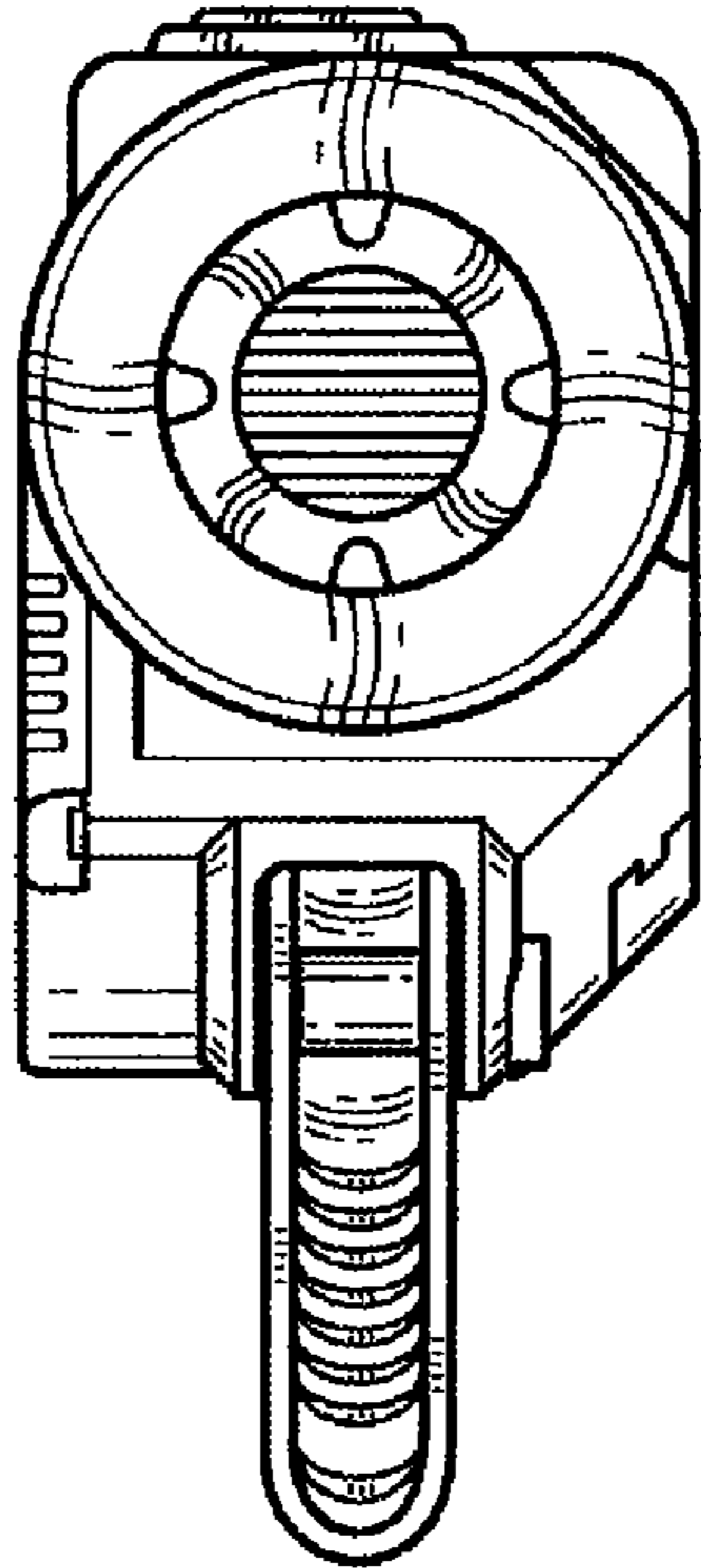


FIG. 7

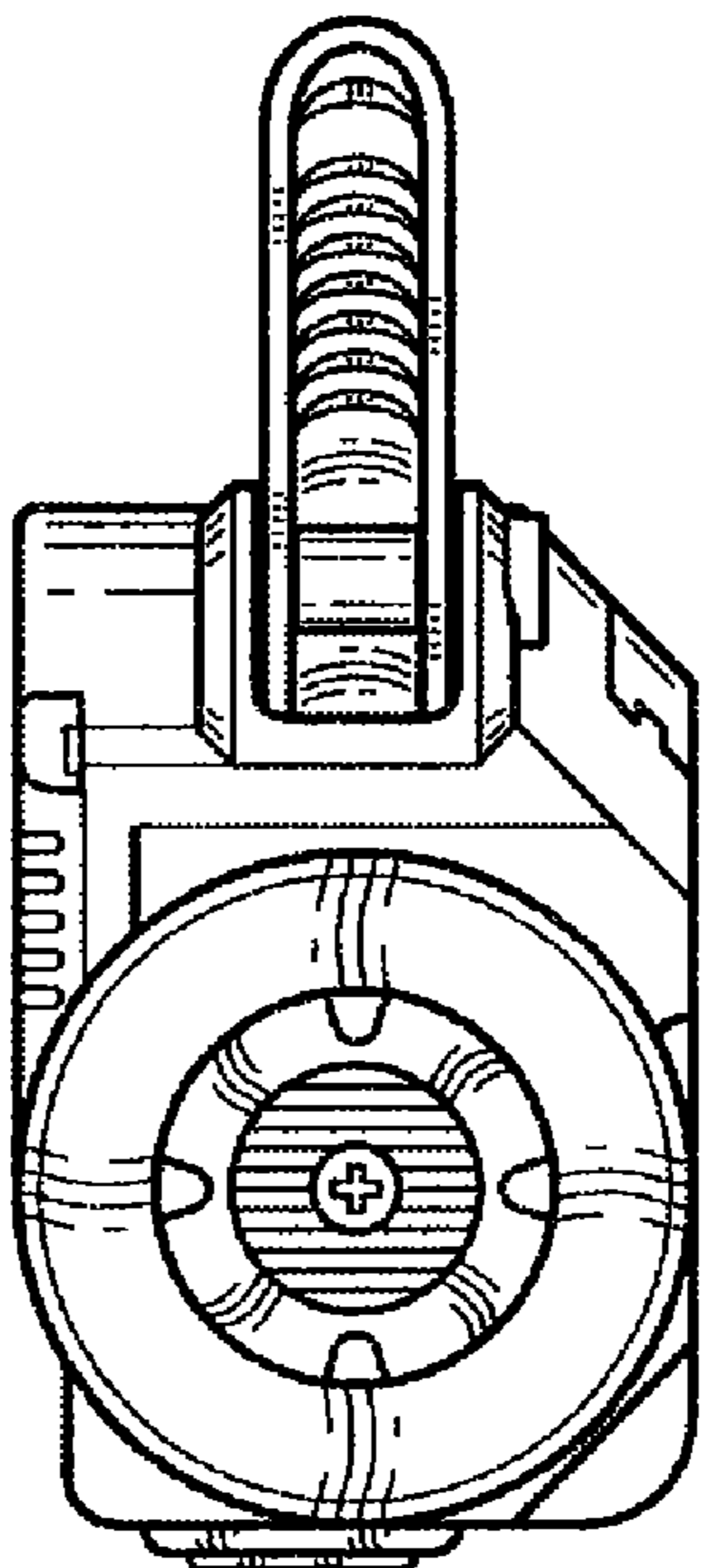


FIG. 6