



US00D630272S

(12) **United States Design Patent**
Clausen

(10) **Patent No.:** **US D630,272 S**
(45) **Date of Patent:** **** Jan. 4, 2011**

(54) **TRACK ELEMENT**

(75) Inventor: **Henrik Saaby Clausen**, Billund (DK)

(73) Assignee: **Lego A/S**, Billund (DK)

(**) Term: **14 Years**

(21) Appl. No.: **29/315,666**

(22) Filed: **Jul. 14, 2009**

(30) **Foreign Application Priority Data**

Jan. 27, 2009 (EM) 001076178

(51) **LOC (9) Cl.** **21-01**

(52) **U.S. Cl.** **D21/565; D21/493**

(58) **Field of Classification Search** D21/484,
D21/490, 493, 564, 565; 446/168-174, 84,
446/89, 108, 112, 114, 116, 124-128, 444-447;
463/58-69; 238/10 R, 10 A-10 C, 10 E,
238/10 F

See application file for complete search history.

(56) **References Cited**

U.S. PATENT DOCUMENTS

3,688,436	A *	9/1972	Wakimura	446/447
D249,737	S *	9/1978	Tong	D21/565
D264,108	S *	4/1982	Tong	D21/565
D281,002	S *	10/1985	Olsen	D21/565
D325,057	S *	3/1992	Plagborg	D21/565
D344,310	S *	2/1994	Ruszkai	D21/565
D344,555	S *	2/1994	Ruszkai	D21/565
D345,997	S *	4/1994	Vadnal	D21/565

5,564,962	A *	10/1996	Navarrete Espinosa	446/128
D409,691	S *	5/1999	Harms	D21/564
6,616,500	B1 *	9/2003	Harms et al.	446/128
D576,690	S *	9/2008	Riley	D21/565

OTHER PUBLICATIONS

Lego RC straight & curved rails, Reviewed online Jan. 9, 2009, [Retrieved May 23, 2010] <http://shop.lego.com/ByTheme/Product.aspx?p=7896&cn=139>.*

* cited by examiner

Primary Examiner—Cynthia M Chin

(74) *Attorney, Agent, or Firm*—Day Pitney LLP

(57) **CLAIM**

The ornamental design for a track element, as shown and described.

DESCRIPTION

FIG. 1 is a top perspective view of the track element of the present design;

FIG. 2 is a bottom perspective view thereof;

FIG. 3 is a front view thereof;

FIG. 4 is a rear view thereof;

FIG. 5 is a top plan view thereof;

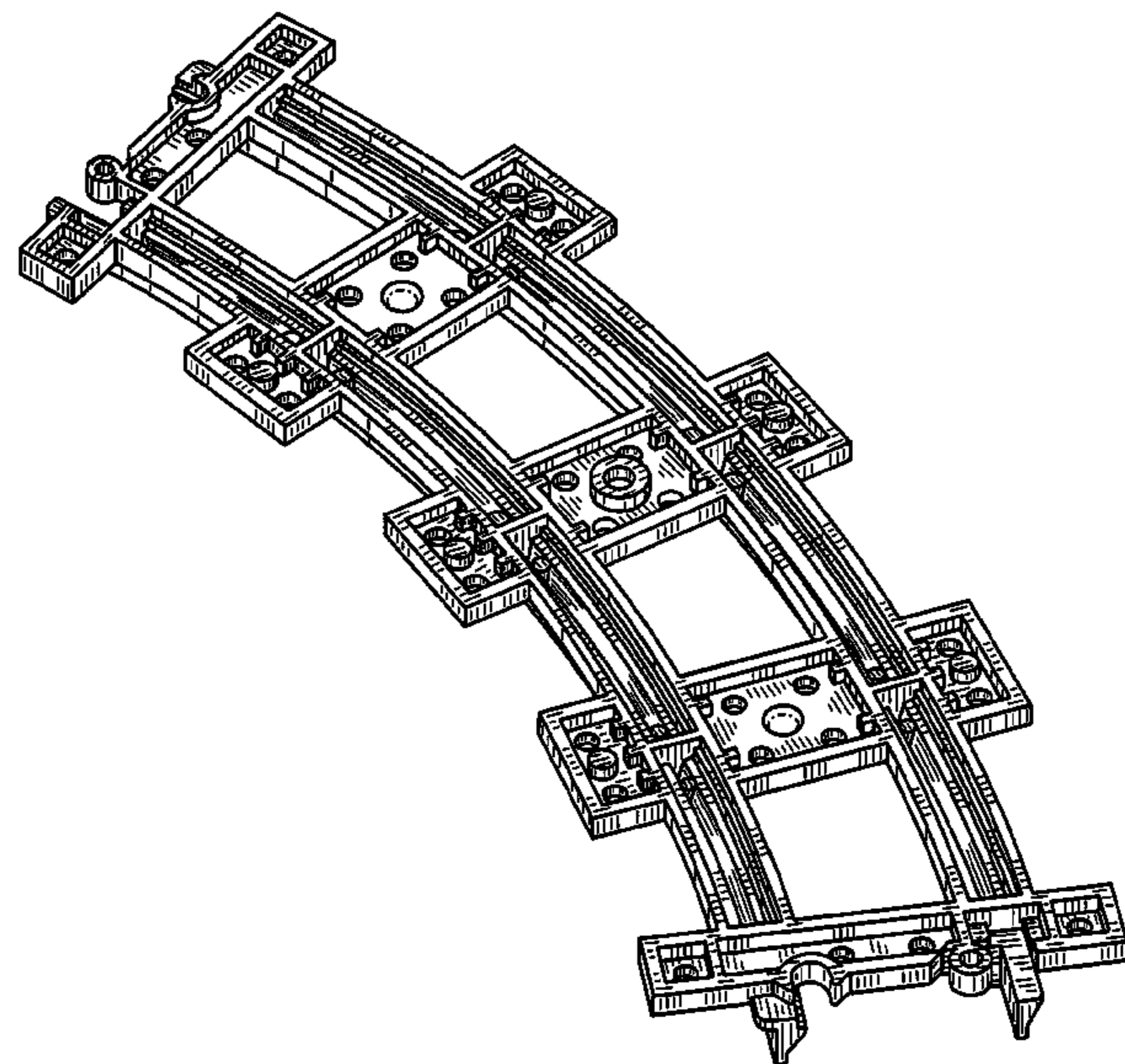
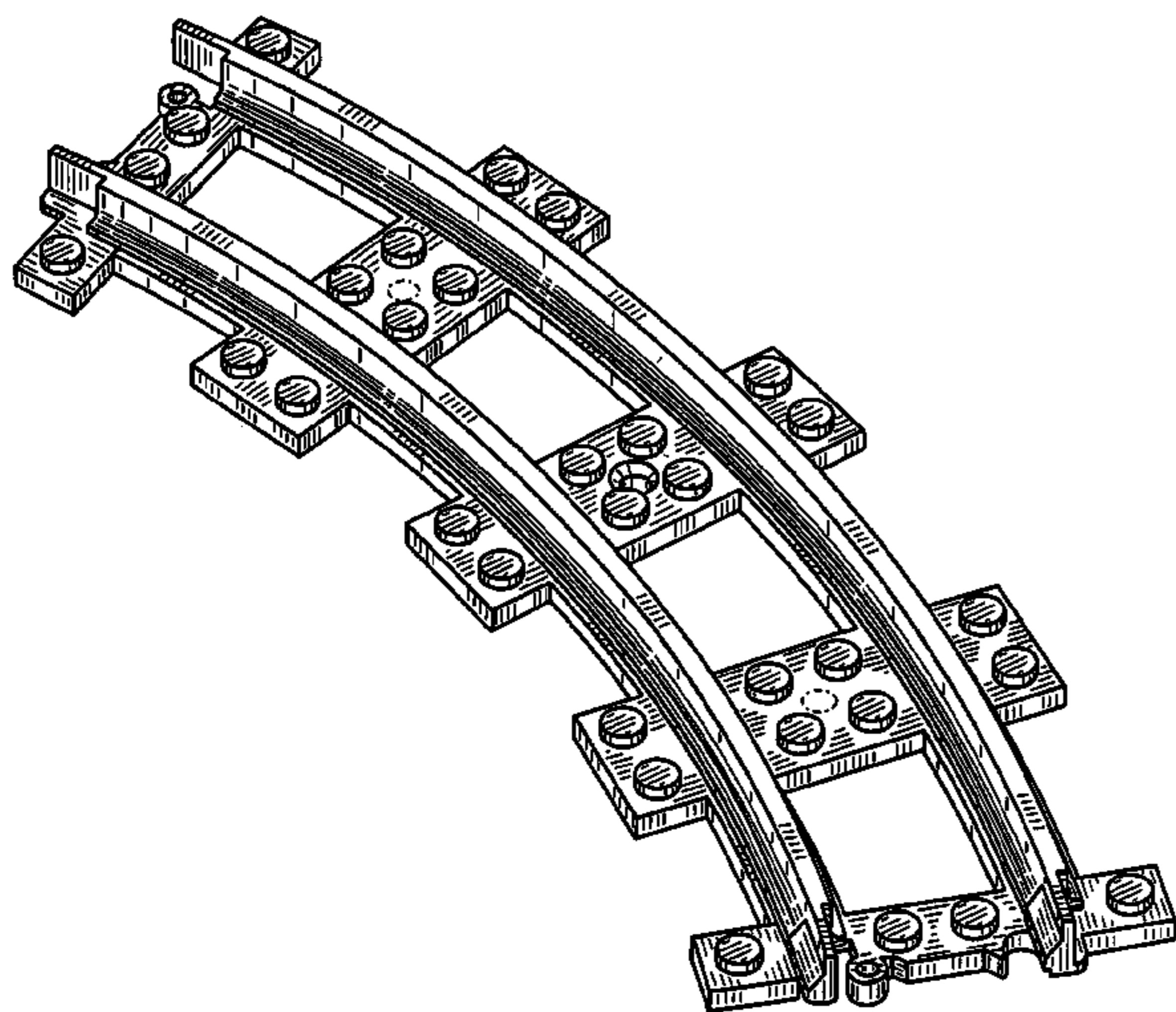
FIG. 6 is a bottom plan view thereof;

FIG. 7 is a right side view thereof; and,

FIG. 8 is a left side view thereof.

The broken lines represent portions of the design that form no part of the claim.

1 Claim, 8 Drawing Sheets



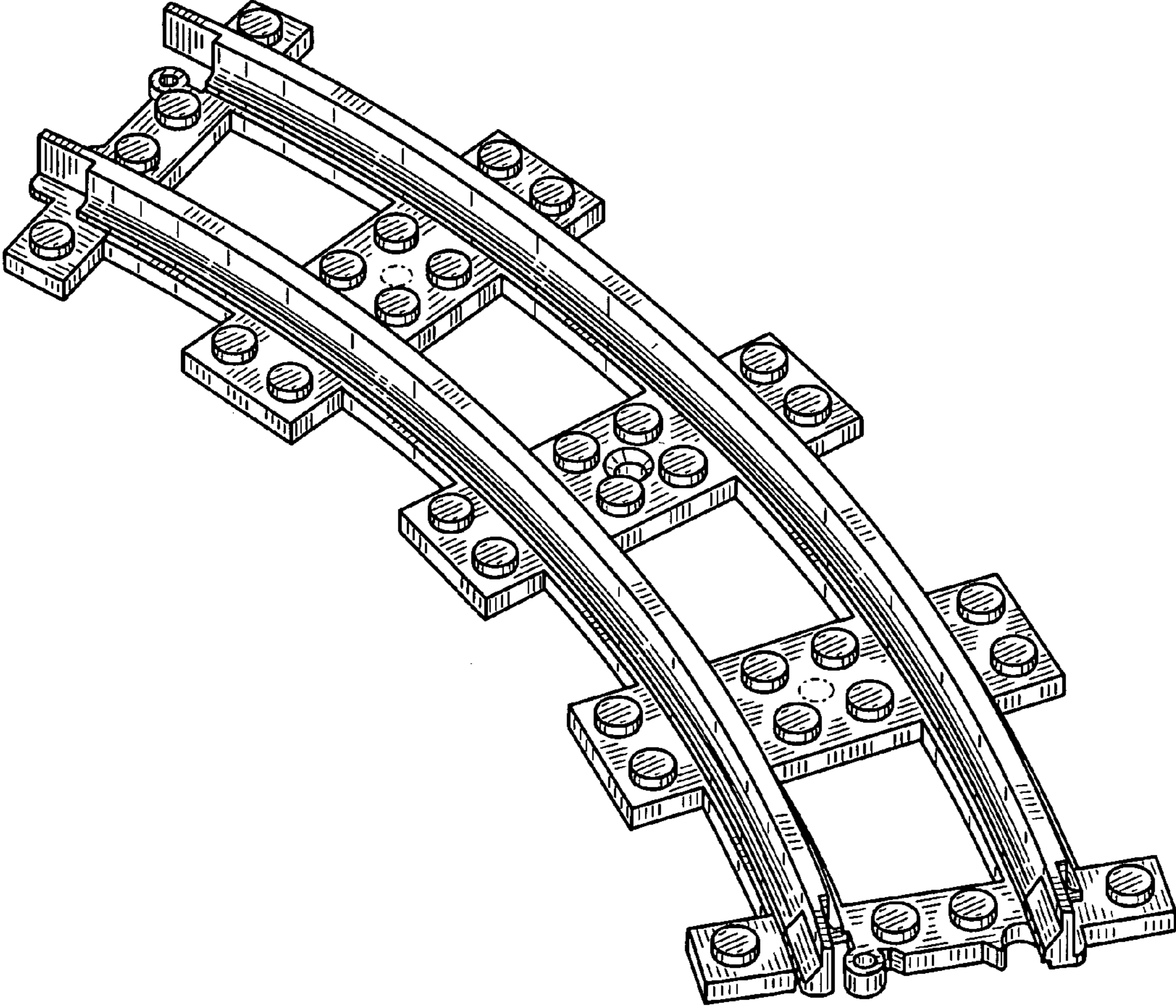


FIG. 1

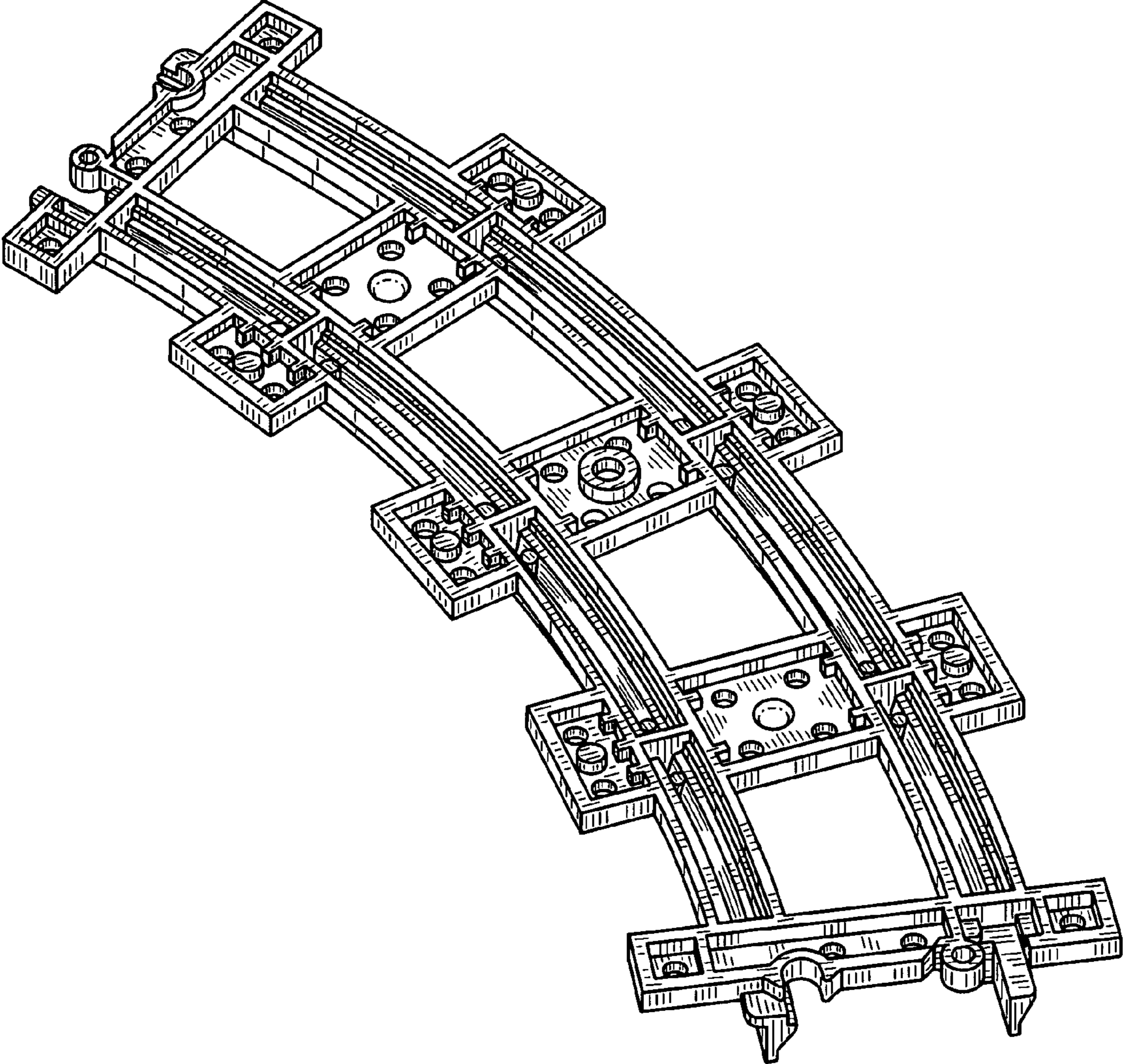


FIG. 2

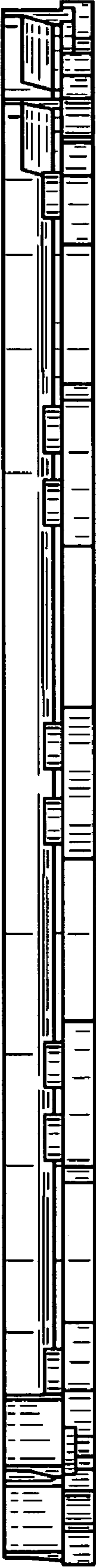


FIG. 3

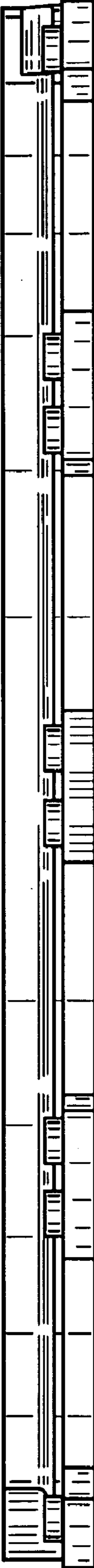


FIG. 4

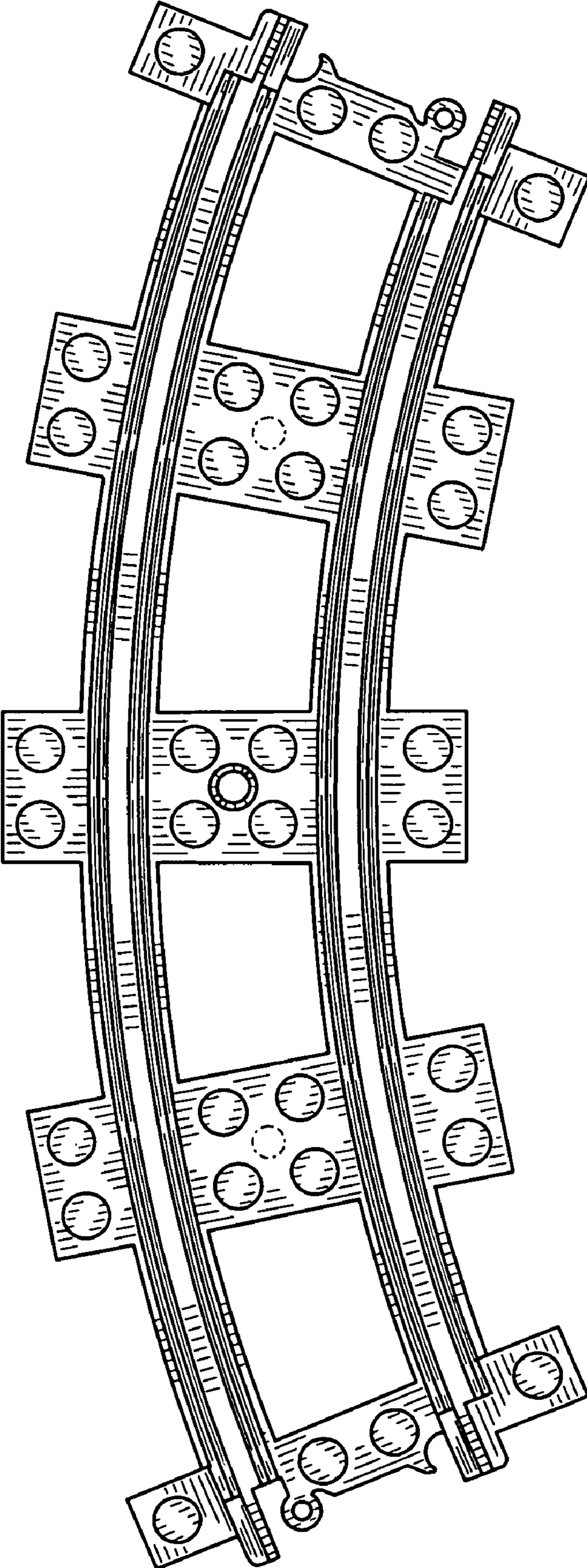


FIG. 5

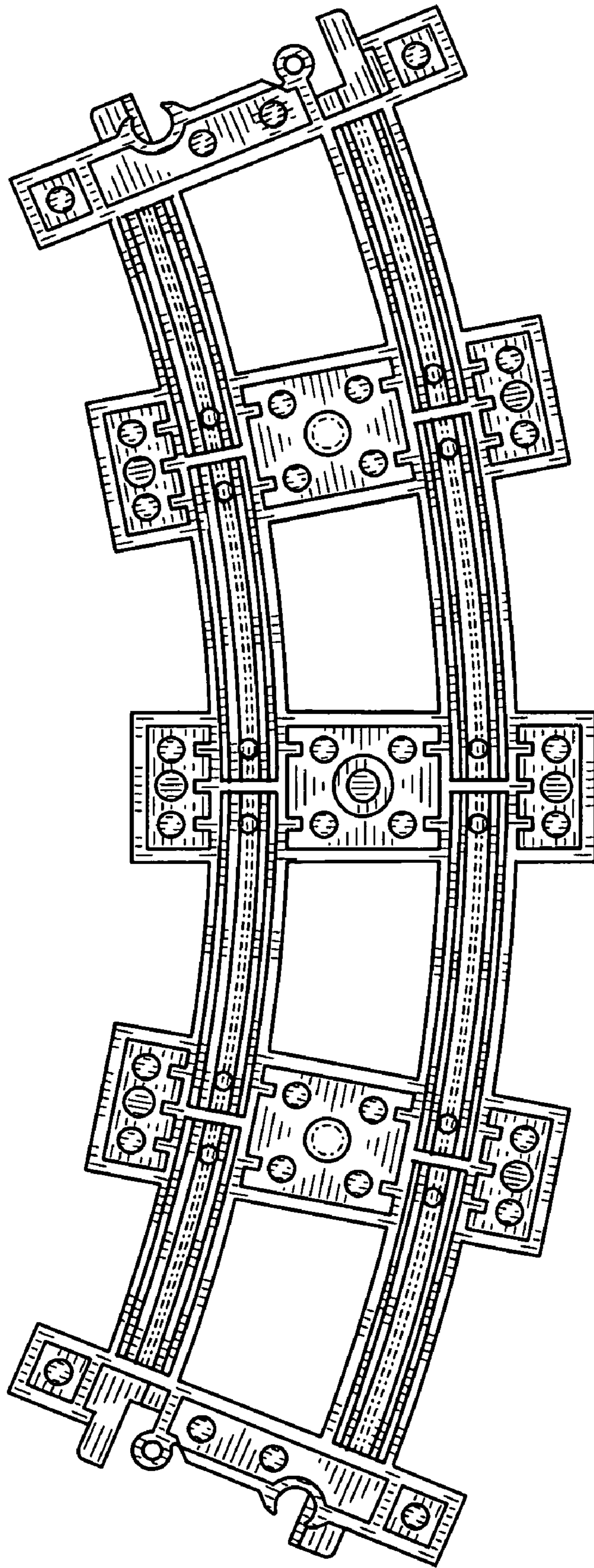


FIG. 6

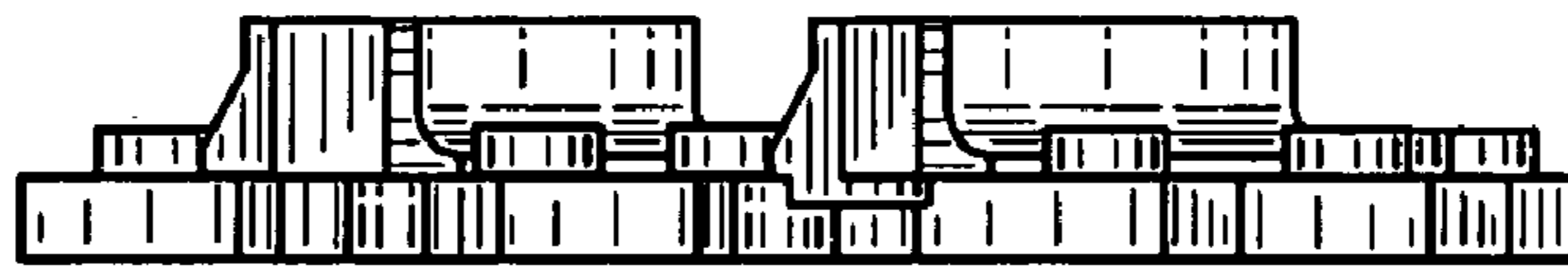


FIG. 7



FIG. 8