



US00D630269S

(12) **United States Design Patent**
Matsuda et al.

(10) **Patent No.:** **US D630,269 S**
(45) **Date of Patent:** **** Jan. 4, 2011**

(54) **ROBOT VEHICLE AND/OR TOY REPLICA THEREOF**

D286,664 S * 11/1986 Matsuda D21/580
D287,155 S * 12/1986 Matsuda D21/580
D418,551 S * 1/2000 Kageyama et al. D21/584

(75) Inventors: **Yoshihiro Matsuda**, Toyota (JP); **Yuuji Muro**, Toyota (JP)

OTHER PUBLICATIONS

(73) Assignee: **Toyota Jidosha Kabushiki Kaisha** (JP)

NASA Lunar Electric Rover (LER), <http://www.nasa.gov/exploration/home/LER.html> Jul. 2008.

(**) Term: **14 Years**

* cited by examiner

(21) Appl. No.: **29/354,783**

Primary Examiner—Cynthia M Chin

(22) Filed: **Jan. 28, 2010**

(74) *Attorney, Agent, or Firm*—SAIDMAN DesignLaw Group

(51) **LOC (9) Cl.** **21-01**

(57) **CLAIM**

(52) **U.S. Cl.** **D21/533; D21/578**

The ornamental design for a robot vehicle and/or toy replica thereof, as shown and described.

(58) **Field of Classification Search** D21/447,
D21/451, 533, 548, 557, 560, 561, 562, 578,
D21/579, 580, 581, 582, 584, 585, 592; D12/1,
D12/12, 14, 16.1, 319; 446/93, 94, 95, 96,
446/230, 231, 279, 287, 431, 454, 465, 466,
446/470

DESCRIPTION

See application file for complete search history.

FIG. 1 is a front perspective view of a robot vehicle and/or toy replica thereof showing our new design;

FIG. 2 is a rear perspective view thereof;

FIG. 3 is a right-side view thereof;

FIG. 4 is a left-side view thereof;

FIG. 5 is a top view thereof;

FIG. 6 is a bottom view thereof;

FIG. 7 is a front view thereof; and,

FIG. 8 is a rear view thereof.

(56) **References Cited**

U.S. PATENT DOCUMENTS

D210,085 S * 2/1968 Ryan D21/451
D221,166 S * 7/1971 Gorfain D21/451
4,248,006 A * 2/1981 Jones et al. 446/94
D266,777 S * 11/1982 Lucas et al. D21/533
D274,165 S * 6/1984 Duennes D21/533
D274,175 S * 6/1984 Boudreaux D21/533
D277,398 S * 1/1985 Johnston D21/451

1 Claim, 4 Drawing Sheets

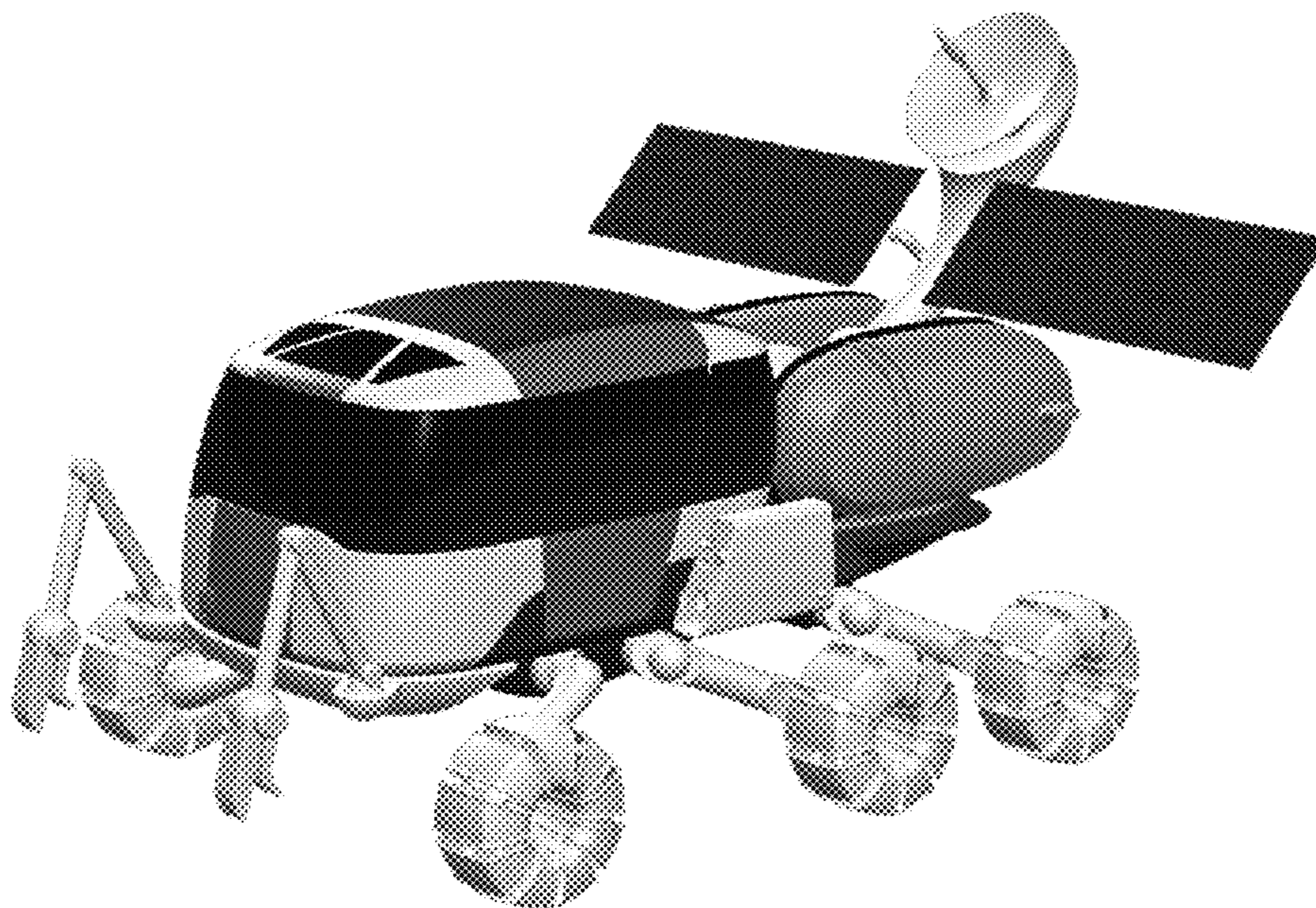


Fig. 1

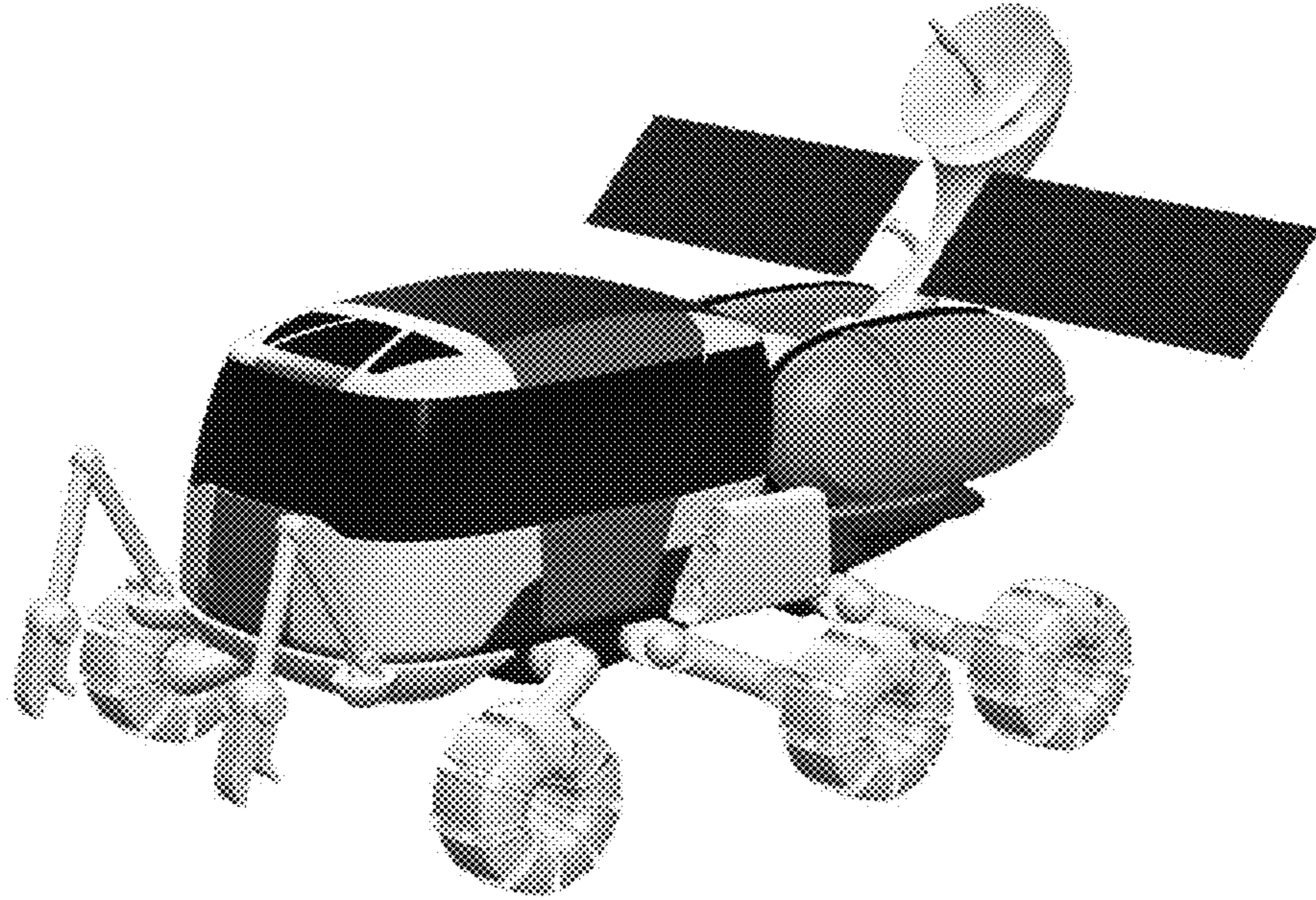


Fig. 2

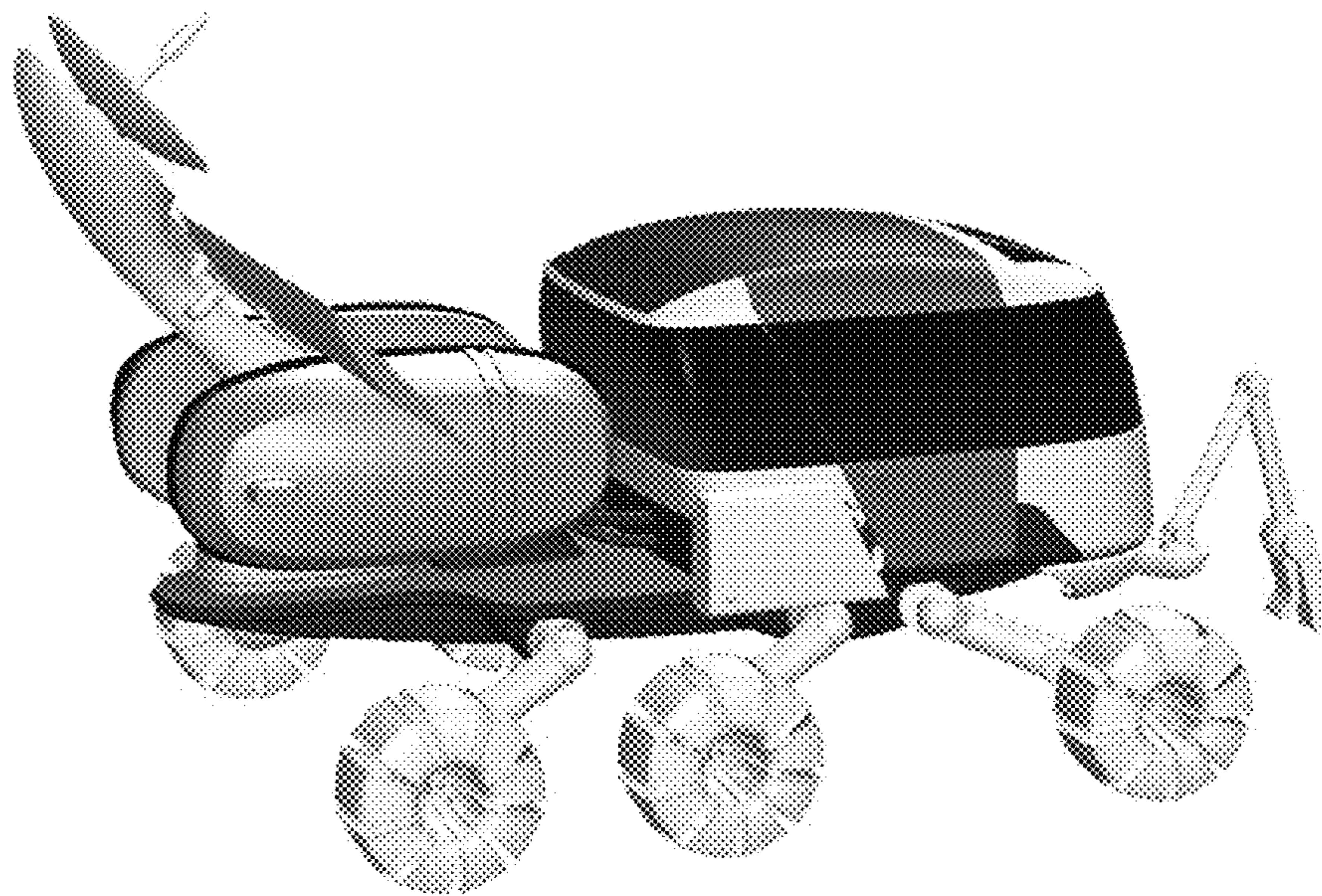


Fig. 3

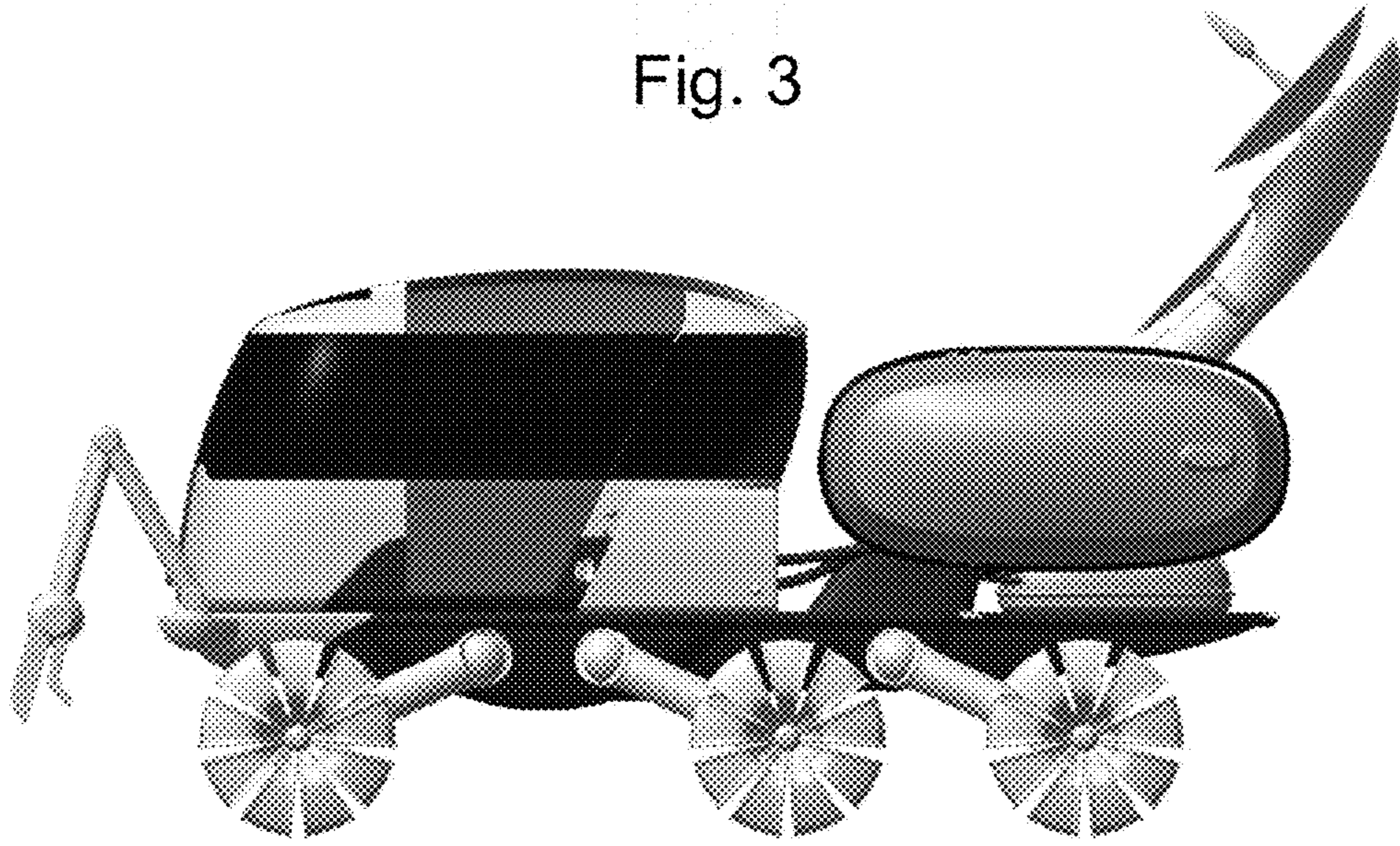


Fig. 4

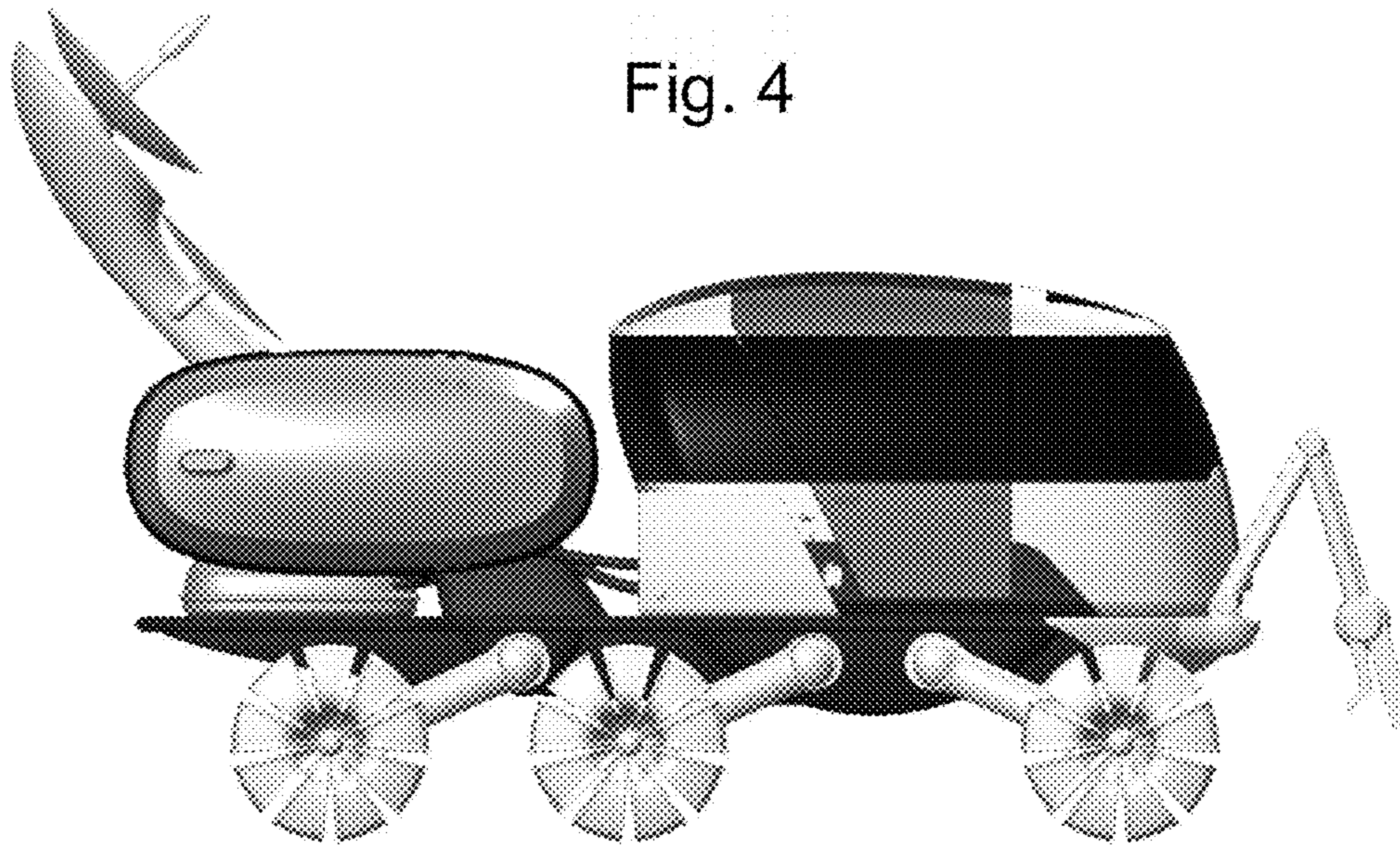


Fig. 5

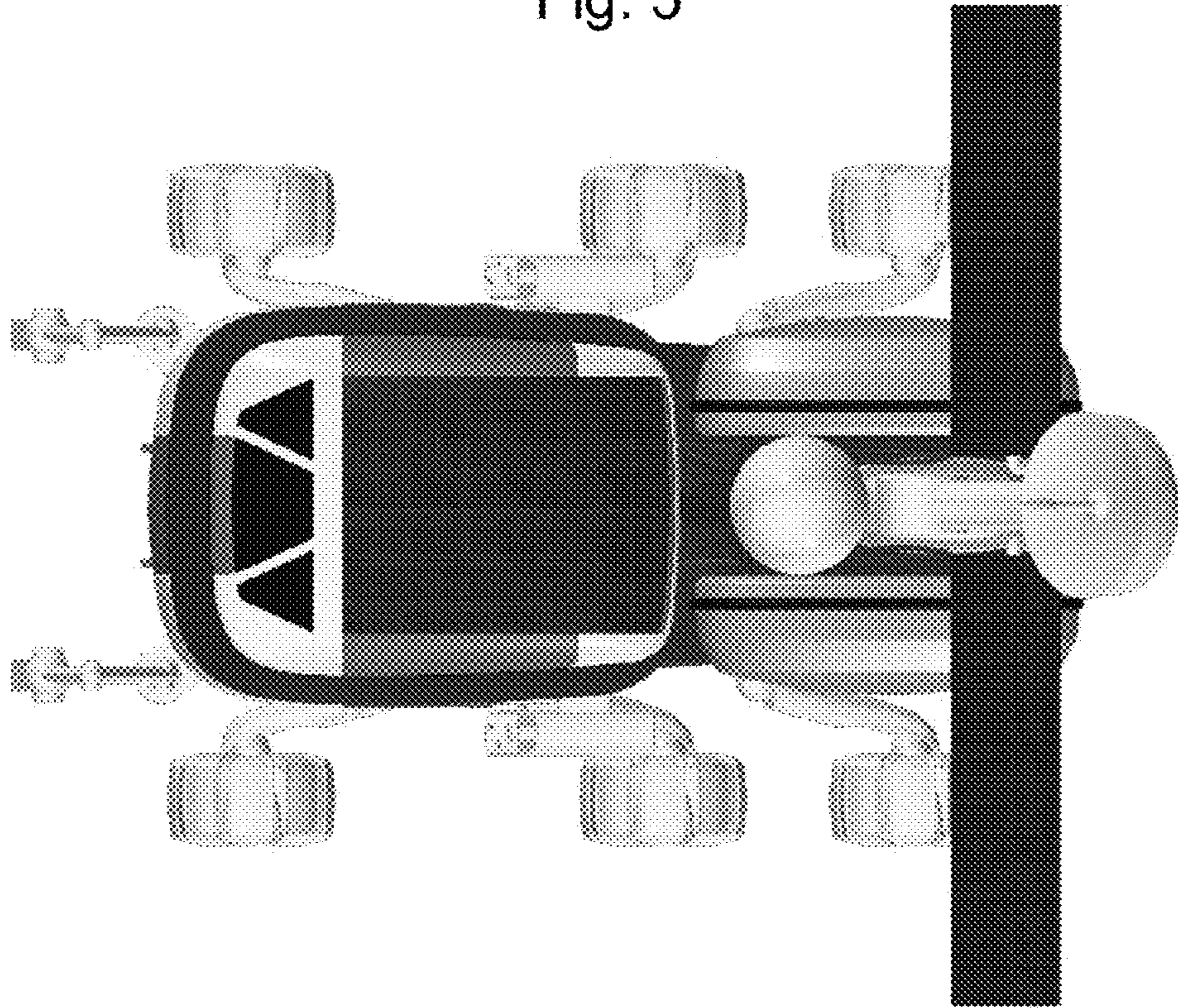


Fig. 6

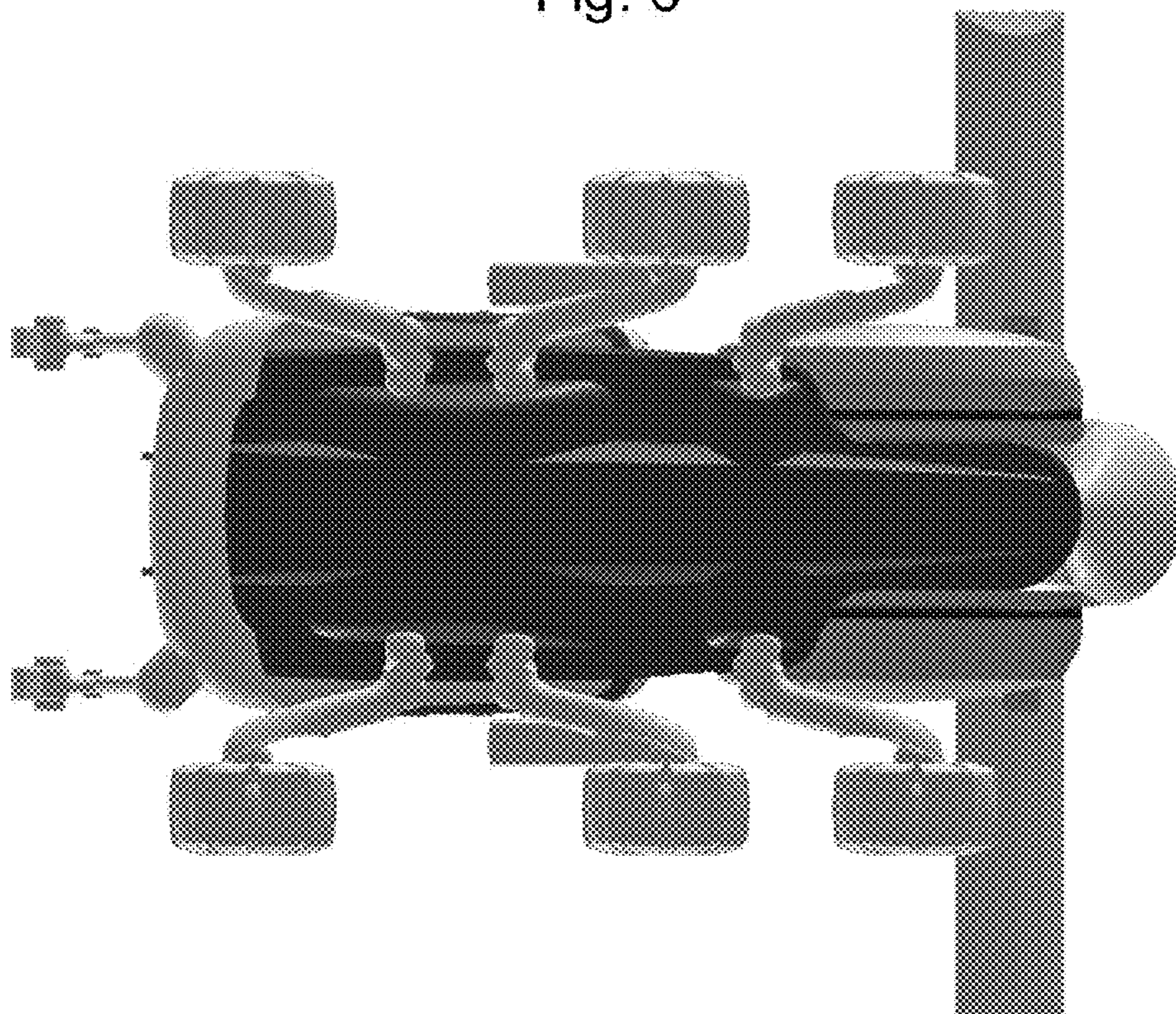


Fig. 7

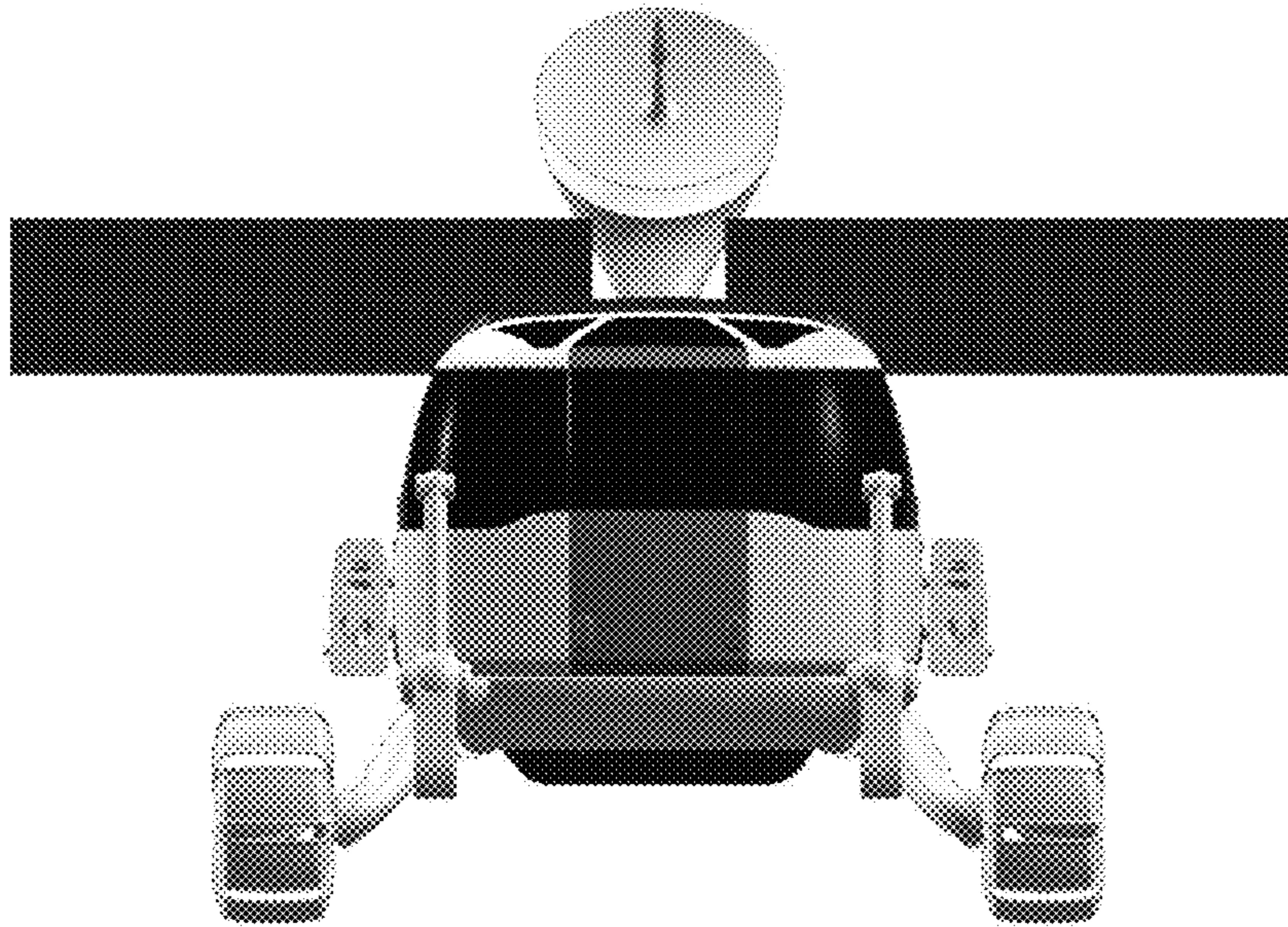


Fig. 8

