

US00D630268S

(12) **United States Design Patent**
Cunningham

(10) **Patent No.:** **US D630,268 S**

(45) **Date of Patent:** **** Jan. 4, 2011**

(54) **REMOTE CONTROLLED VEHICLE**

(76) Inventor: **John Cunningham**, 125 Willard Cir.,
Hurricane, WV (US) 25526

(**) Term: **14 Years**

(21) Appl. No.: **29/347,301**

(22) Filed: **Nov. 25, 2009**

(51) **LOC (9) Cl.** **21-01**

(52) **U.S. Cl.** **D21/533**

(58) **Field of Classification Search** D21/451,
D21/533, 537, 539, 548, 550, 552-554, 556,
D21/557, 558, 560, 561, 562; D12/1, 2,
D12/3, 12, 14, 101, 102, 106; 446/465-471,
446/431, 433, 434, 435-439, 454-456; 89/36.07,
89/36.08, 36.09, 40.03; 180/89.1, 89.12,
180/167-169, 232

See application file for complete search history.

(56) **References Cited**

U.S. PATENT DOCUMENTS

D192,171 S *	2/1962	Alvaney	D21/556
D195,832 S *	8/1963	Bauer	D12/12
D217,056 S *	3/1970	Gamaunt	D12/3
D219,287 S *	11/1970	Rosenthal	D21/537
D244,921 S *	7/1977	Longeau	D12/12
D245,000 S *	7/1977	Longeau	D12/12
D251,289 S *	3/1979	Larson	D12/12
D267,001 S *	11/1982	LeBlanc	D12/12
D269,418 S *	6/1983	Appelblatt et al.	D12/12
D274,165 S *	6/1984	Duennes	D21/533
D279,806 S *	7/1985	Stern et al.	D21/557
D289,389 S *	4/1987	Picard	D12/12
D290,479 S *	6/1987	Jones et al.	D21/557
D329,885 S *	9/1992	Maarschalkerveerd et al. .	D21/ 539
D380,704 S *	7/1997	Cairney	D12/1

D413,551 S *	9/1999	Wilcox et al.	D12/1
D437,255 S *	2/2001	Bickler et al.	D12/1
D474,715 S *	5/2003	Young et al.	D12/1
D478,840 S *	8/2003	Gregory et al.	D12/1
D508,875 S *	8/2005	LeBlanc et al.	D12/12
D526,246 S *	8/2006	LeBlanc et al.	D12/12
D526,596 S *	8/2006	LeBlanc et al.	D12/12
D527,684 S *	9/2006	Eckstedt	D12/12
D527,689 S *	9/2006	LeBlanc et al.	D12/12
7,481,694 B1 *	1/2009	Benbow	446/454
D590,743 S *	4/2009	Waters et al.	D12/12
7,565,941 B2	7/2009	Cunningham	

* cited by examiner

Primary Examiner—Cynthia M Chin

(74) *Attorney, Agent, or Firm*—Jean C. Edwards, Esq.;
Akerman Senterfitt

(57) **CLAIM**

The ornamental design for a remote controlled vehicle, as shown and described.

DESCRIPTION

FIG. 1 is a perspective view of the front, right side and top plan of a remote controlled vehicle showing my new design, with a hoist in seated position;

FIG. 2 is a front view thereof;

FIG. 3 is a rear view thereof;

FIG. 4 is a right side view thereof;

FIG. 5 is a left side view thereof;

FIG. 6 is a top plan view thereof; and,

FIG. 7 is a perspective view of the front, right side and top plan view thereof with the hoist in an upright position.

The broken lines represent portions of the design that form no part of the claim.

1 Claim, 5 Drawing Sheets

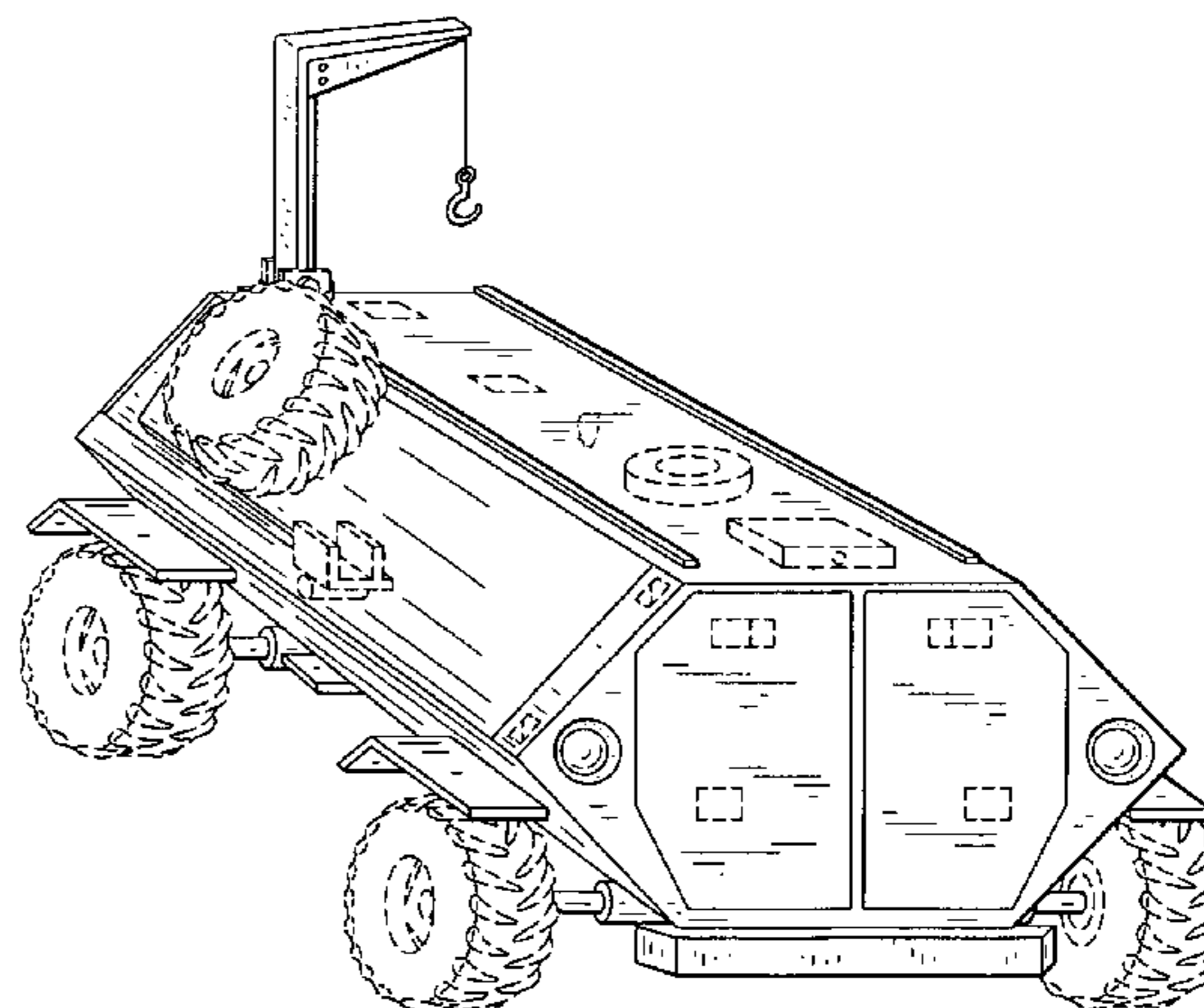
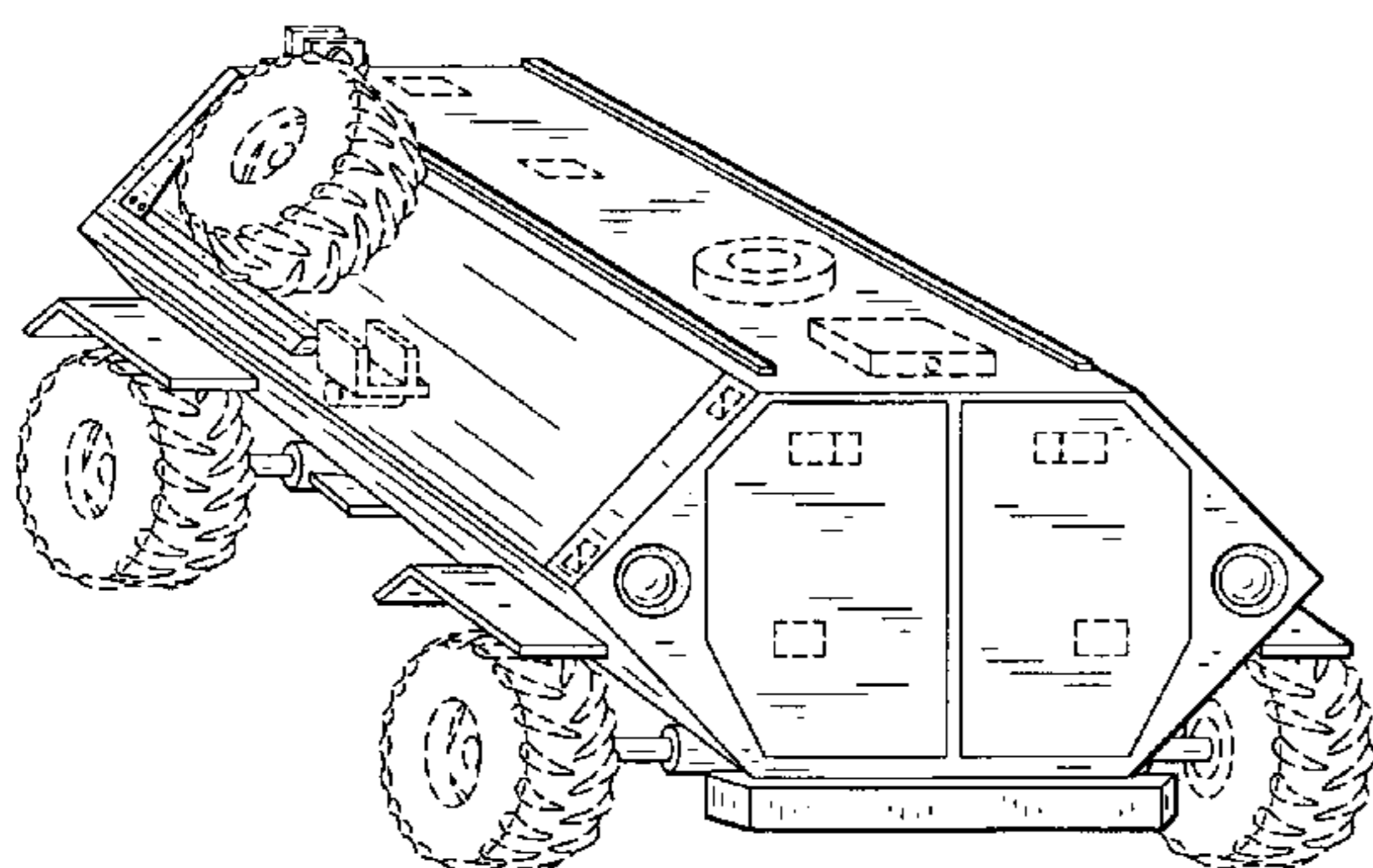


FIG. 1

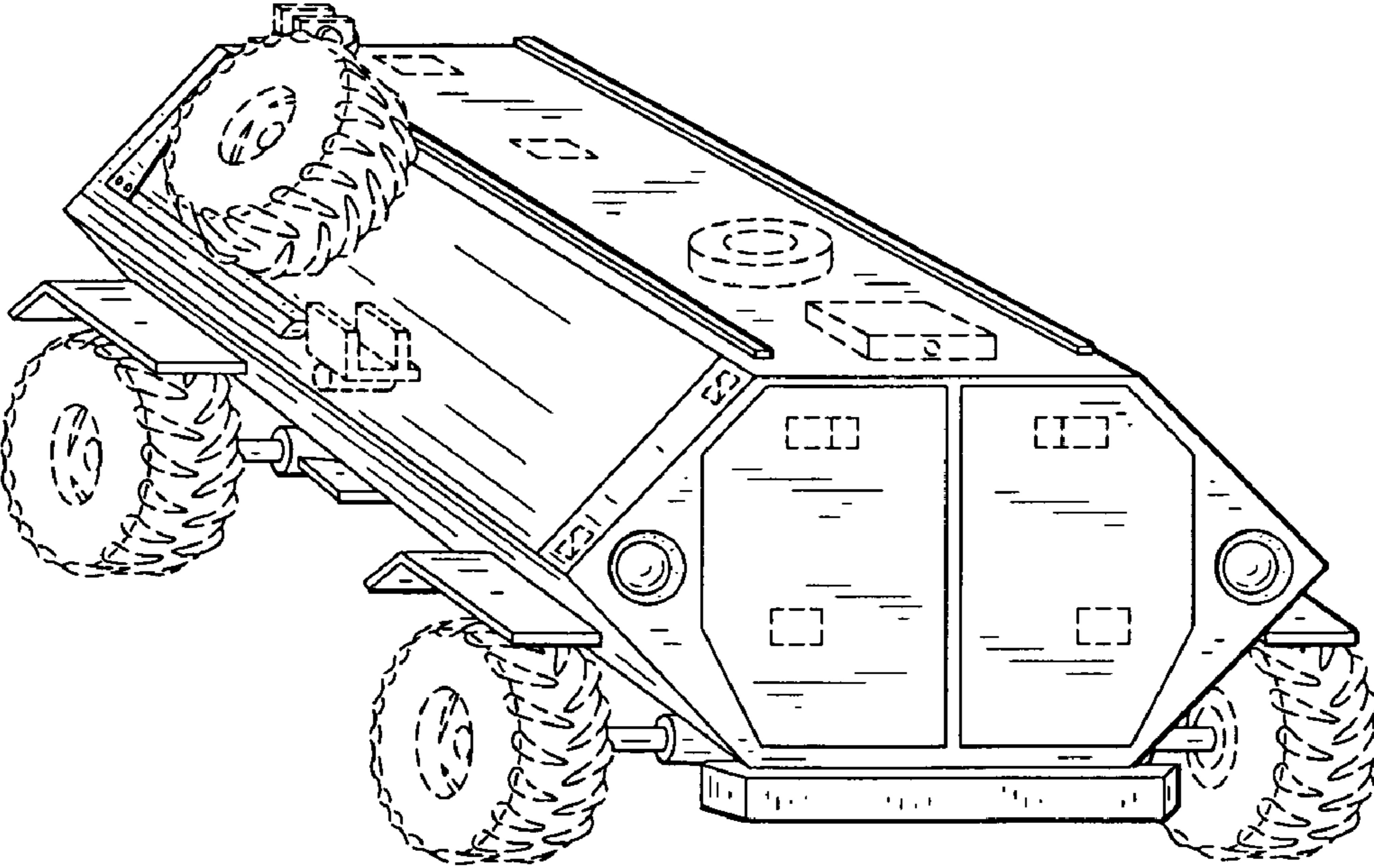


FIG. 2

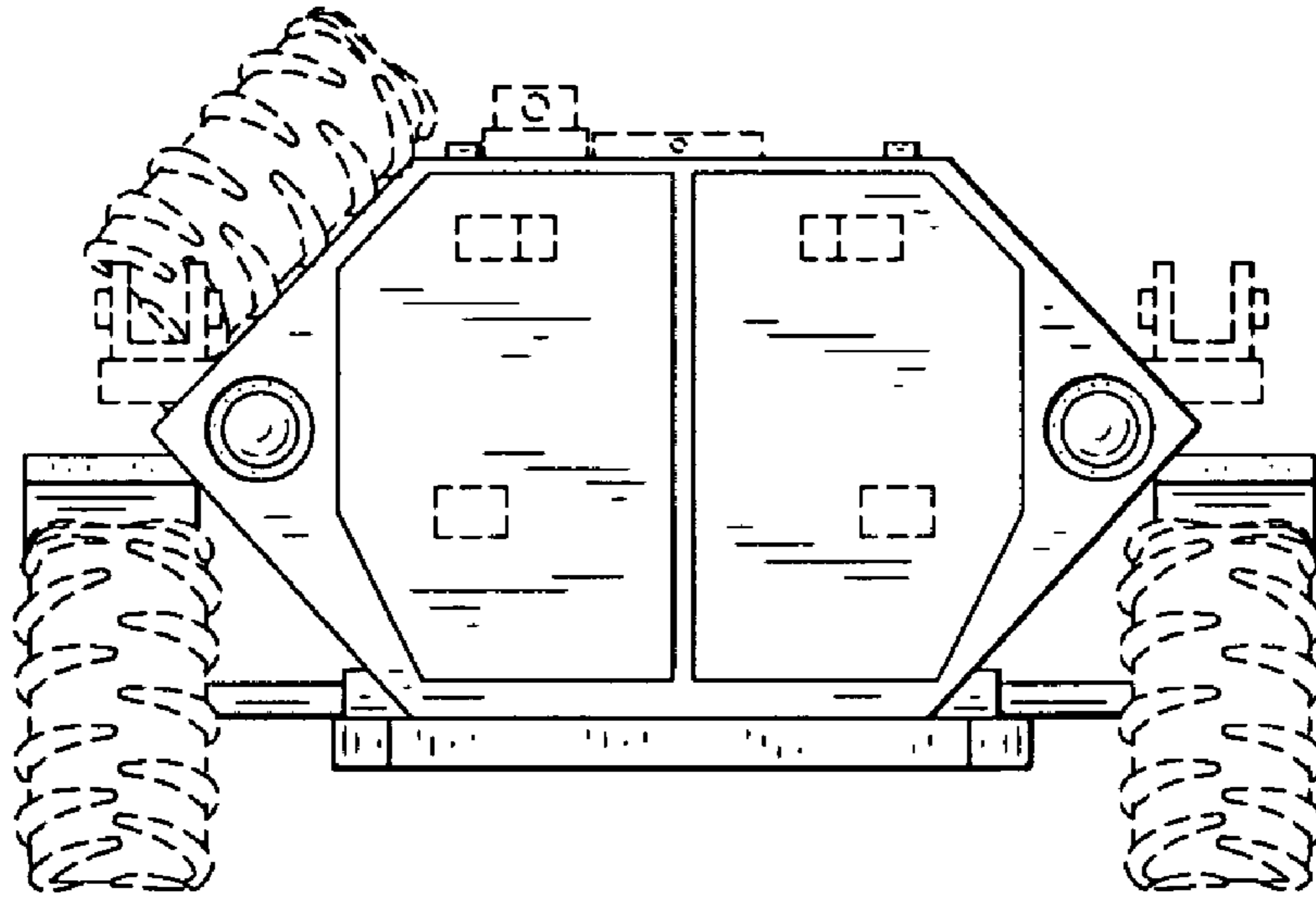


FIG. 3

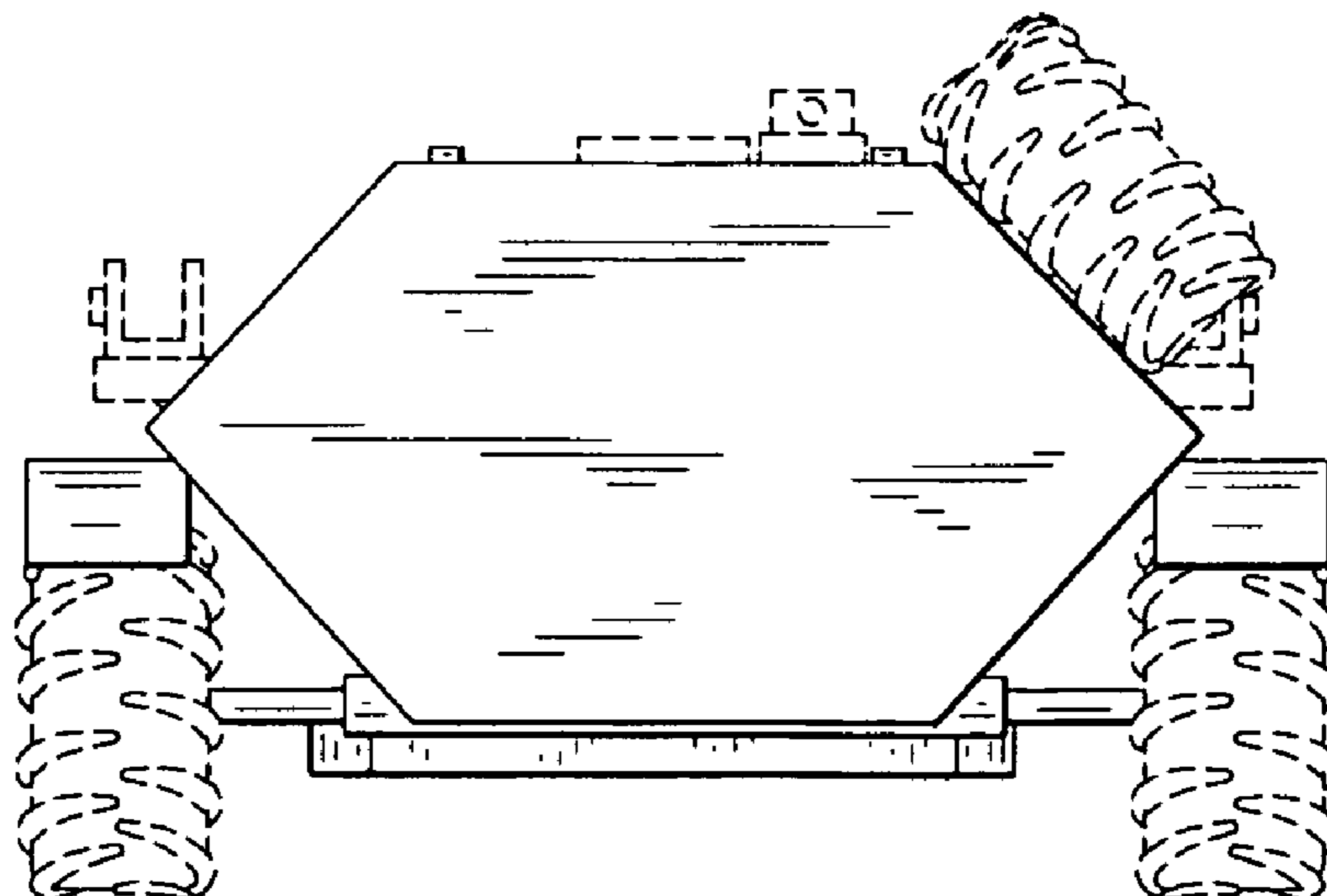


FIG. 4

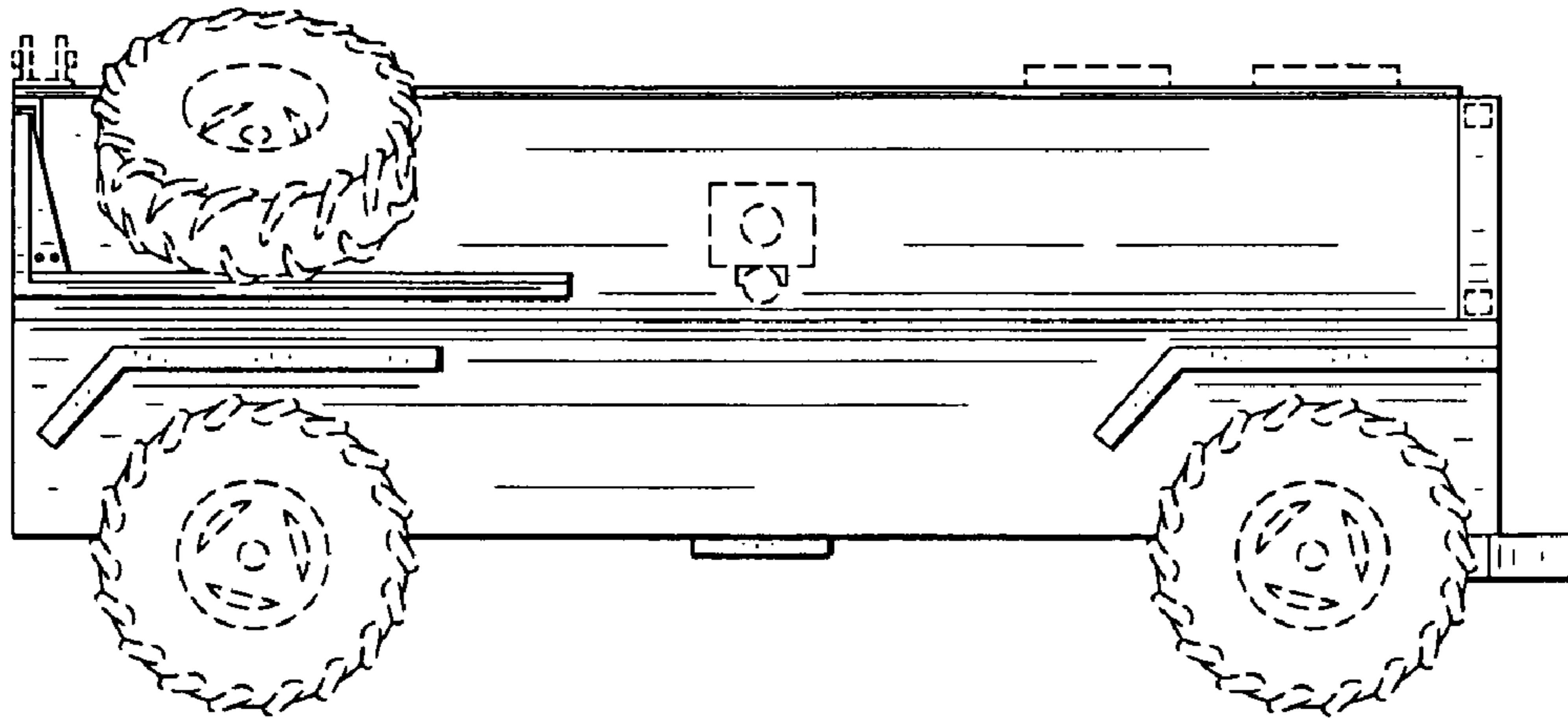


FIG. 5

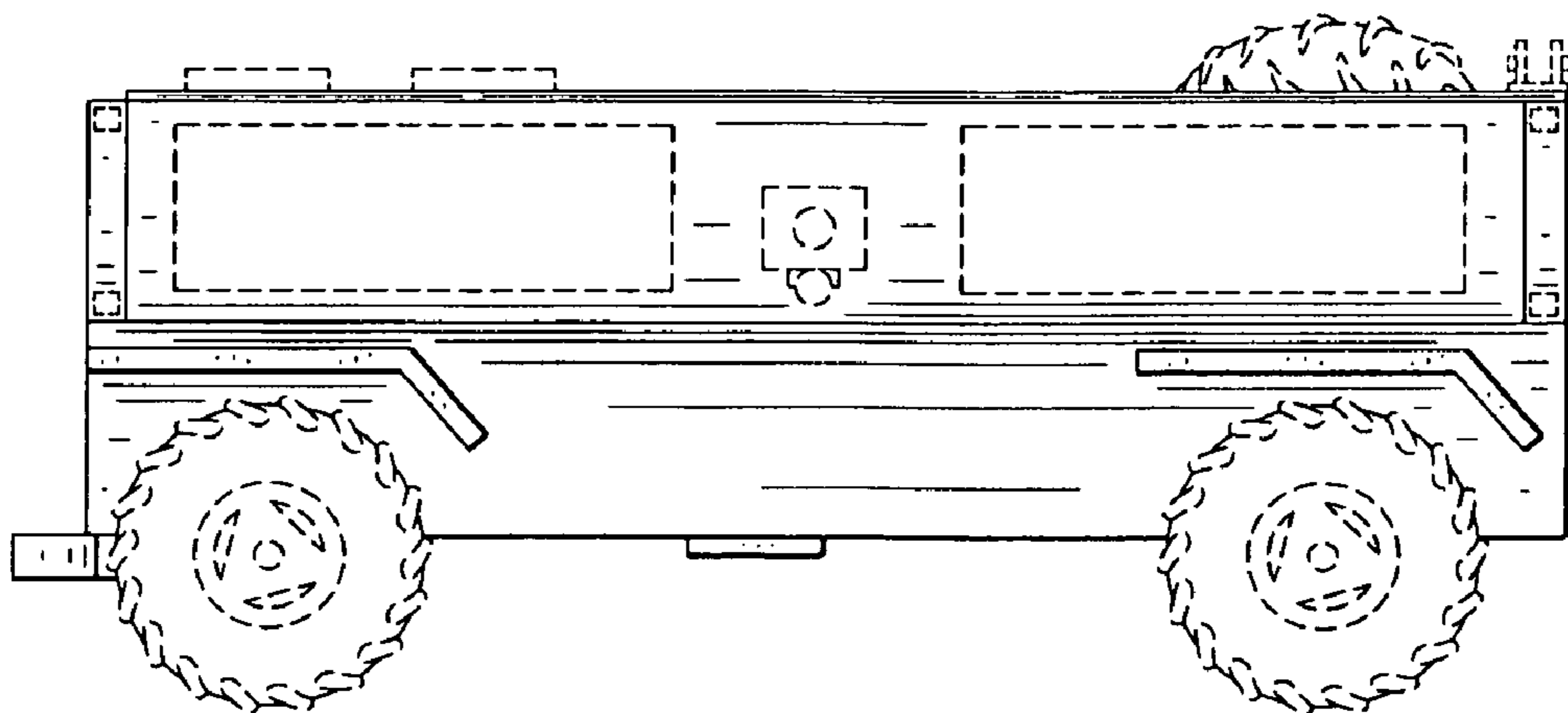


FIG. 6

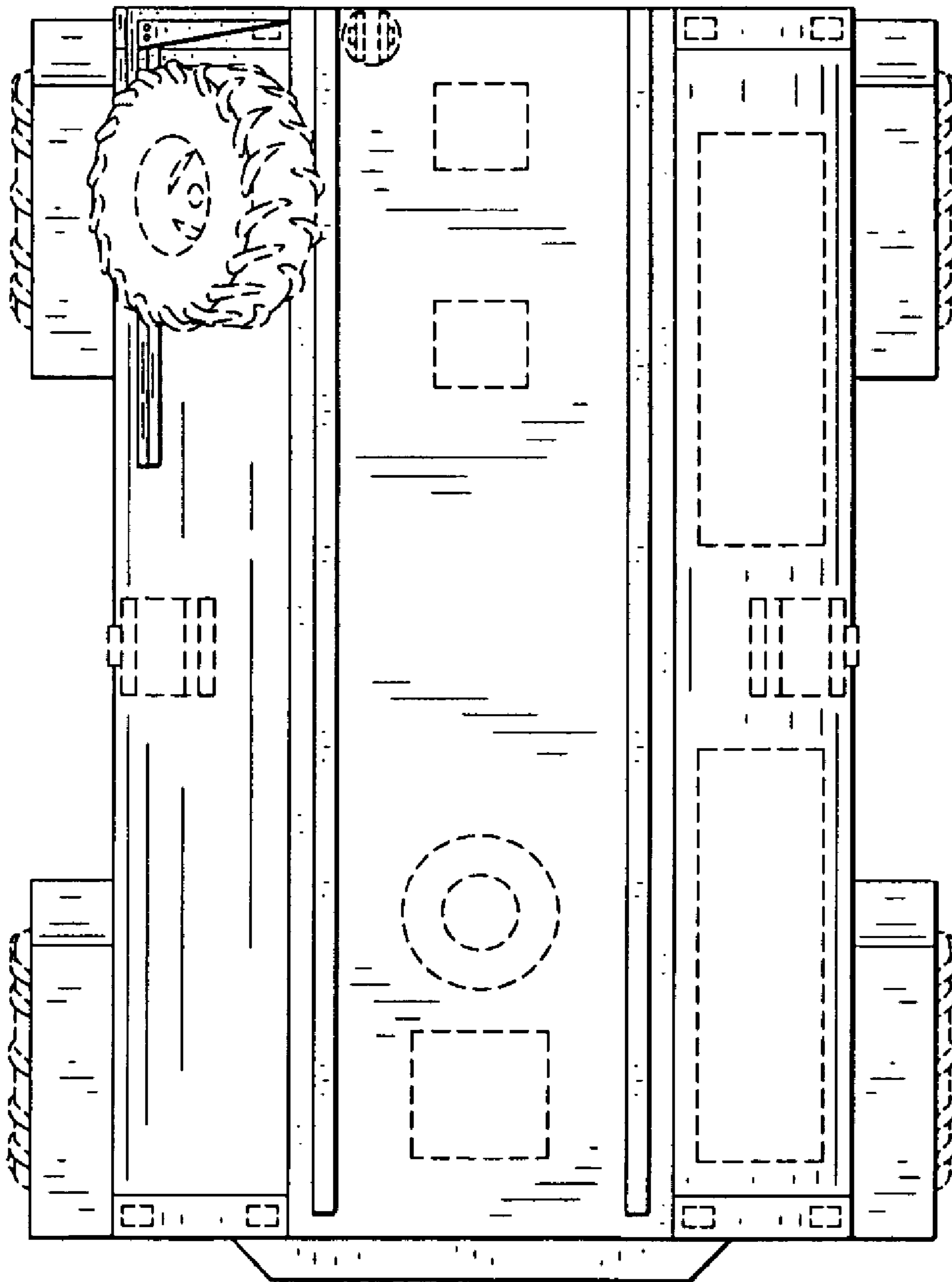


FIG. 7

