



US00D630264S

(12) **United States Design Patent**
Ryaa

(10) **Patent No.:** **US D630,264 S**
(45) **Date of Patent:** **** Jan. 4, 2011**

(54) **TOY BUILDING SET ELEMENT**

(75) Inventor: **Jan Ryaa**, Billund (DK)

(73) Assignee: **Lego A/S**, Billund (DK)

(**) Term: **14 Years**

(21) Appl. No.: **29/315,103**

(22) Filed: **May 27, 2009**

(30) **Foreign Application Priority Data**

Nov. 28, 2008 (EM) 001050645

(51) **LOC (9) Cl.** **21-01**

(52) **U.S. Cl.** **D21/499**

(58) **Field of Classification Search** D21/484–485,
D21/488, 491–495, 499, 500–504; D25/113,
D25/114, 118; 446/69, 89, 92, 97, 102–128;
434/259, 208, 403; 273/153, 156, 160
See application file for complete search history.

(56) **References Cited**

U.S. PATENT DOCUMENTS

1,678,709 A * 7/1928 Schurmann 446/111
D181,962 S * 1/1958 Ehrmann D21/499
3,221,439 A * 12/1965 Schaper 446/120
3,392,480 A * 7/1968 Stubbmann 446/121
4,352,255 A * 10/1982 Warehime 446/120
D276,833 S * 12/1984 Byers D21/561
4,548,590 A * 10/1985 Green 446/120
D307,775 S * 5/1990 Pedersen D21/500
D328,929 S * 8/1992 Jarnros D21/503
D329,067 S * 9/1992 Skov D21/484

D333,851 S * 3/1993 Olsen D21/502
5,209,693 A * 5/1993 Lyman 446/104
5,913,706 A * 6/1999 Glickman et al. 446/97
D412,946 S * 8/1999 Pagel D21/500
D413,942 S * 9/1999 Rudy D21/500
D413,943 S * 9/1999 Rudy D21/501
D415,217 S * 10/1999 Rudy D21/503
D423,607 S * 4/2000 Rudy D21/500
D545,919 S * 7/2007 Sorensen D21/484
D553,203 S * 10/2007 Glickman et al. D21/487

* cited by examiner

Primary Examiner—Cynthia M Chin

(74) *Attorney, Agent, or Firm*—Day Pitney LLP

(57) **CLAIM**

The ornamental design for a toy building set element, as shown and described.

DESCRIPTION

FIG. 1 is a top perspective view of my design for a toy building set element;

FIG. 2 is a bottom perspective view thereof;

FIG. 3 is a front view thereof;

FIG. 4 is a right side view thereof;

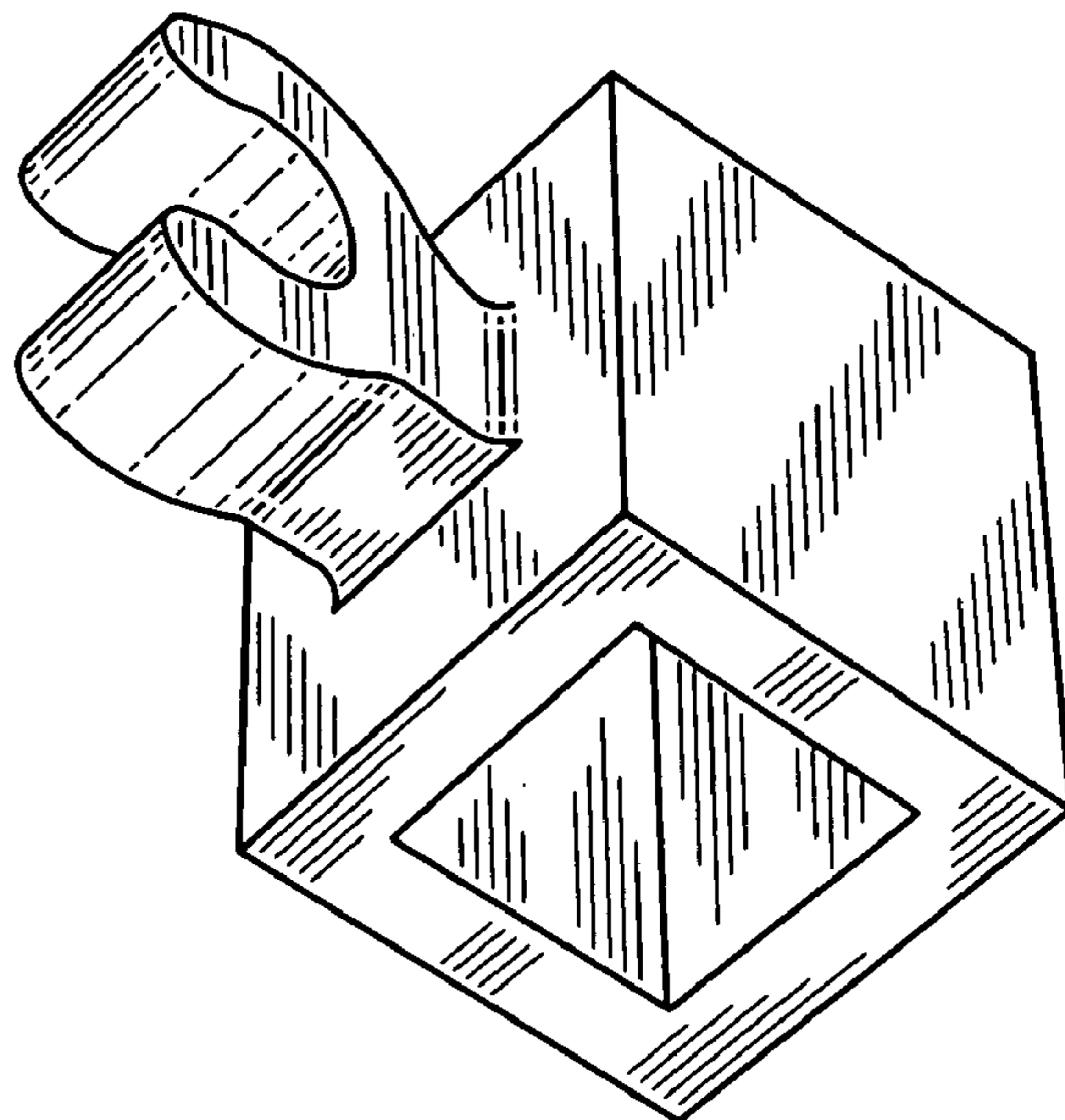
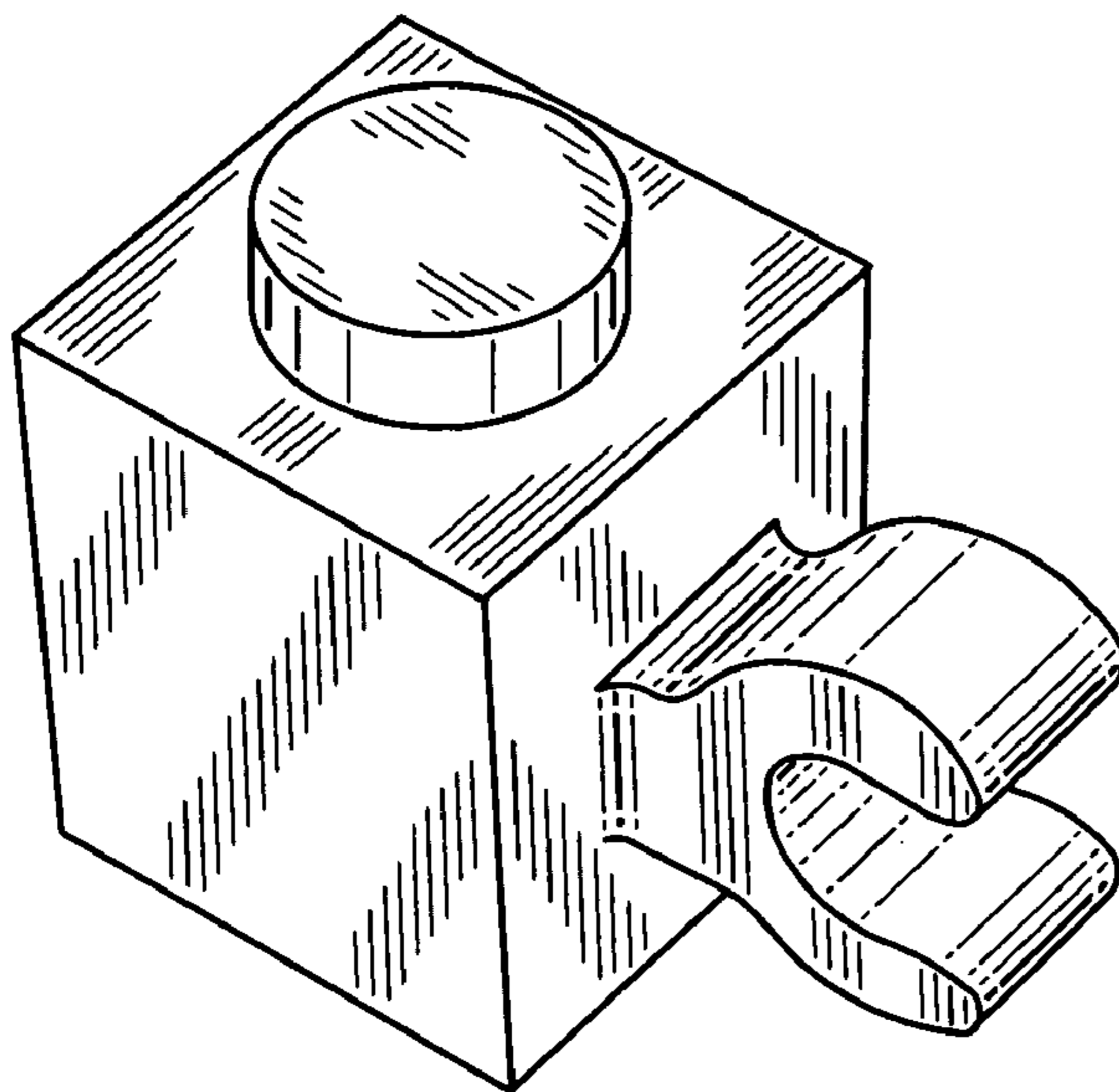
FIG. 5 is a left side view thereof;

FIG. 6 is a bottom plan view thereof; and,

FIG. 7 is a top plan view thereof.

The broken lines represent portions of the design that form no part of the claim.

1 Claim, 7 Drawing Sheets



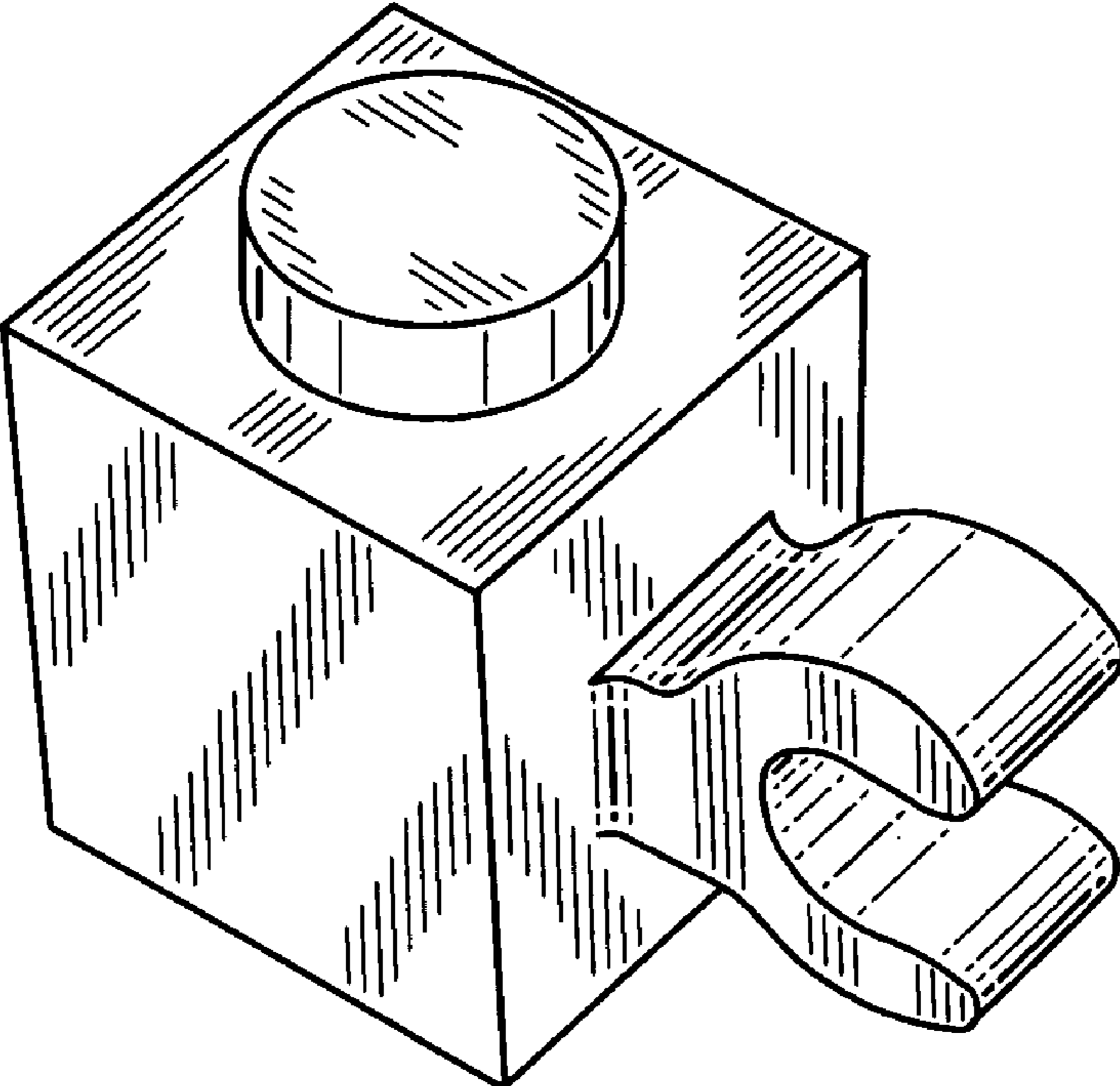


FIG. 1

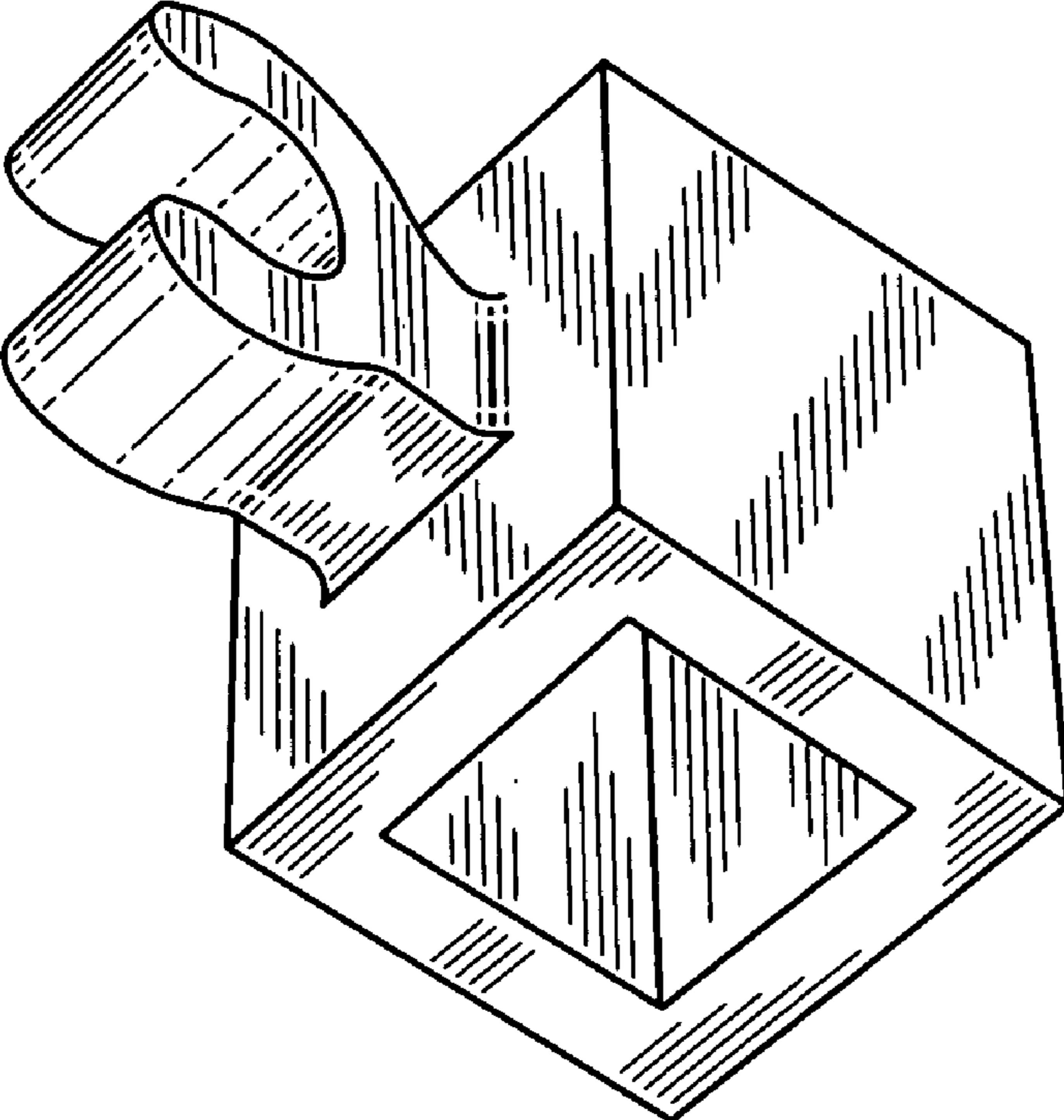


FIG. 2

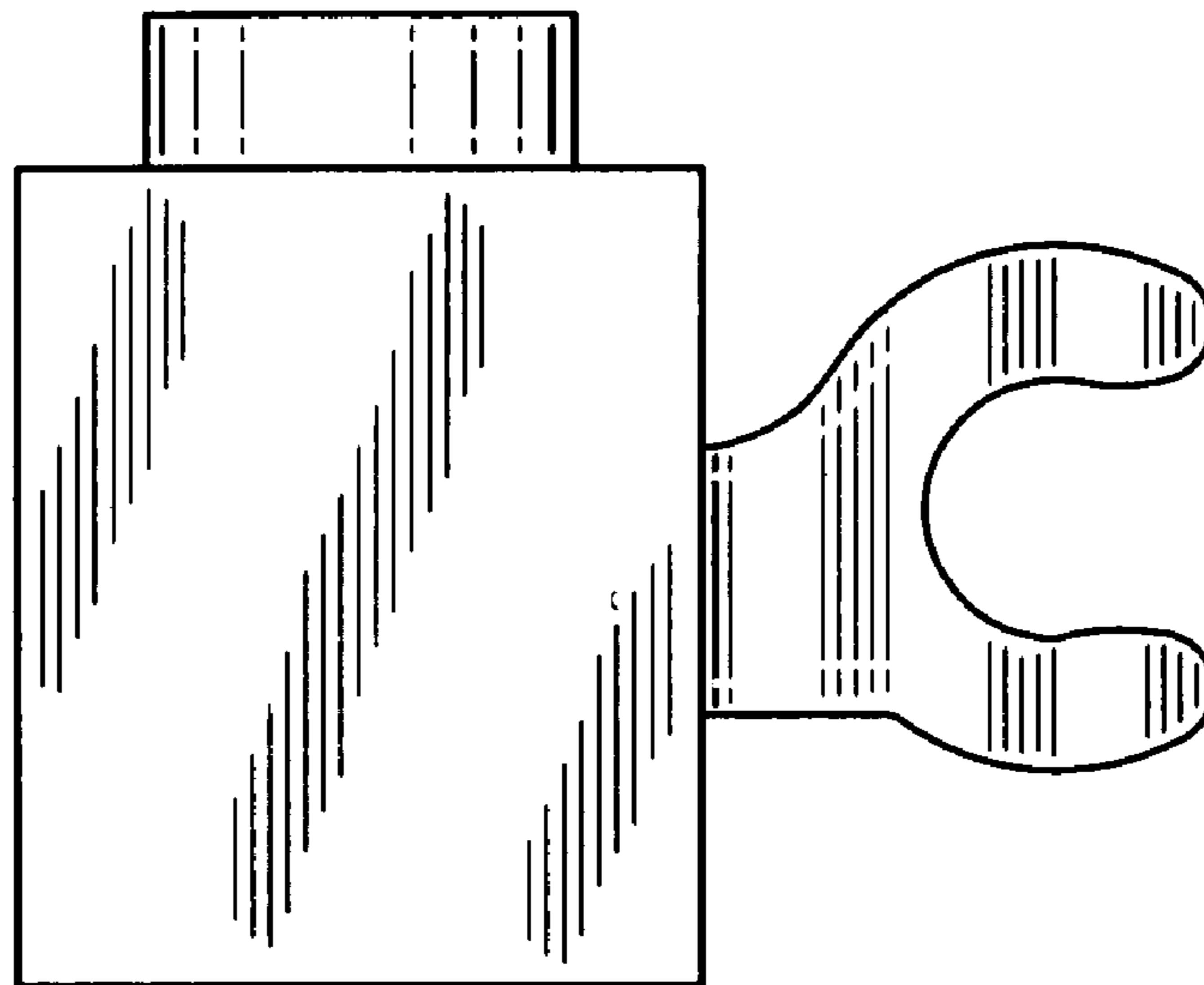


FIG. 3

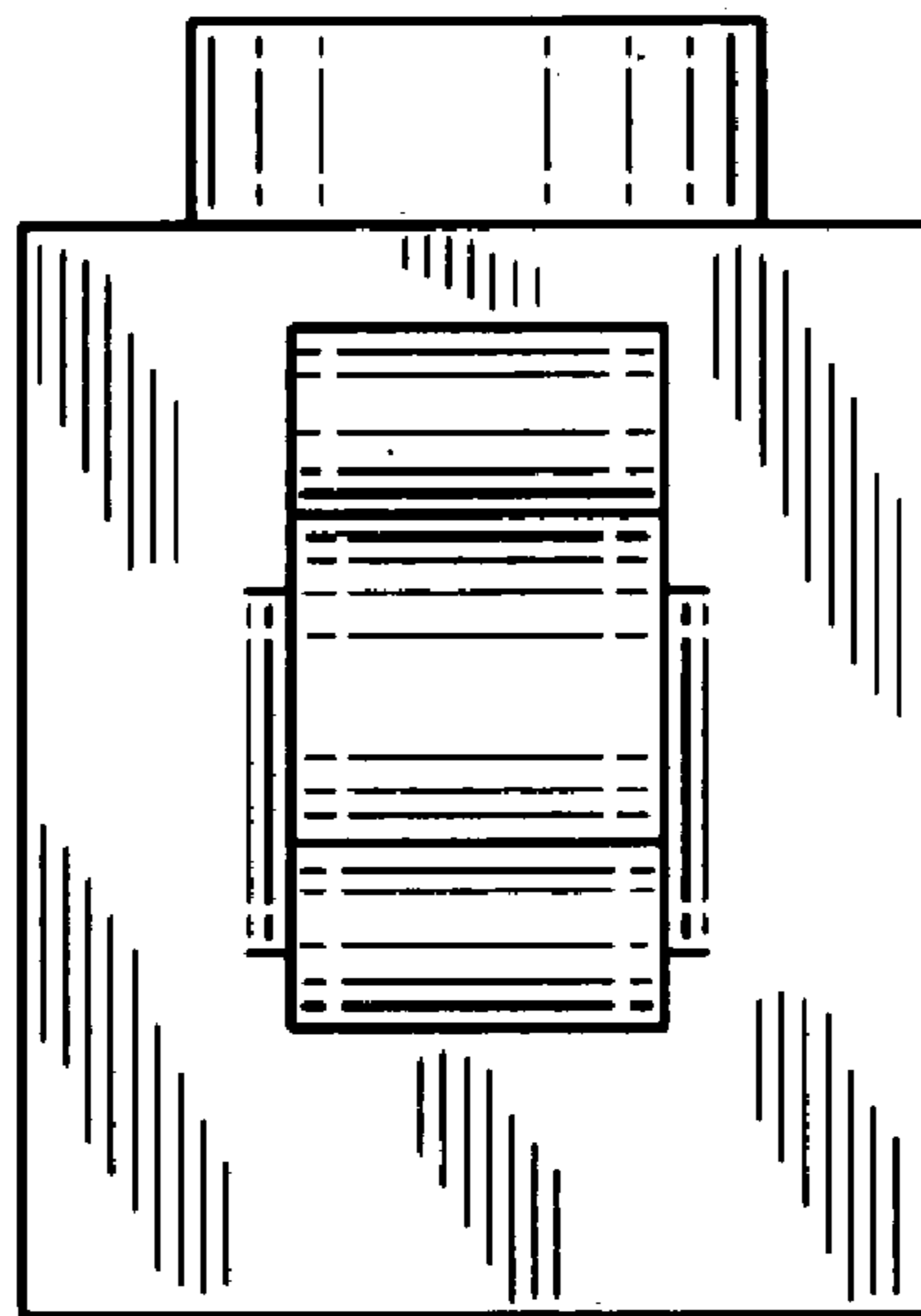


FIG. 4

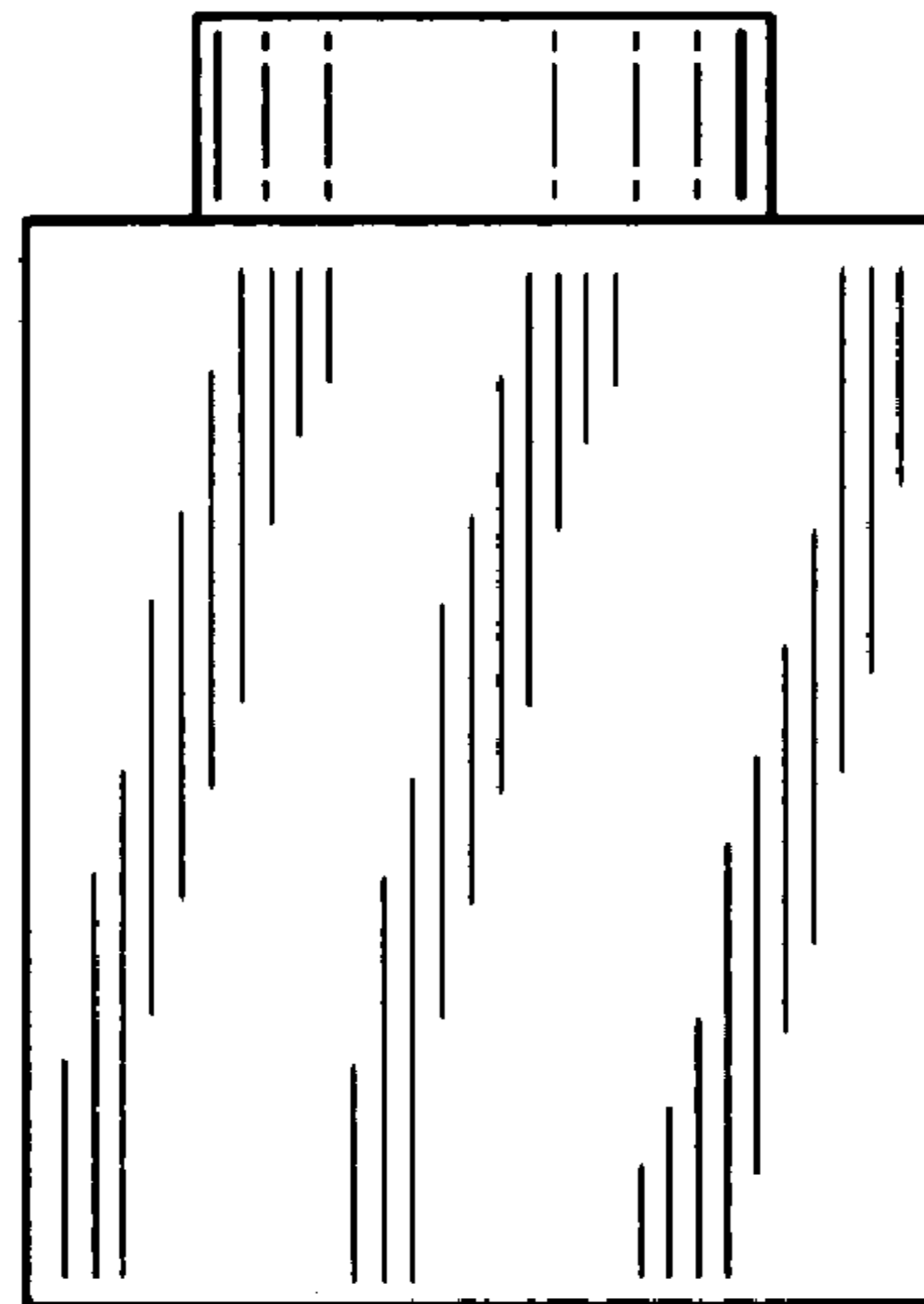


FIG. 5

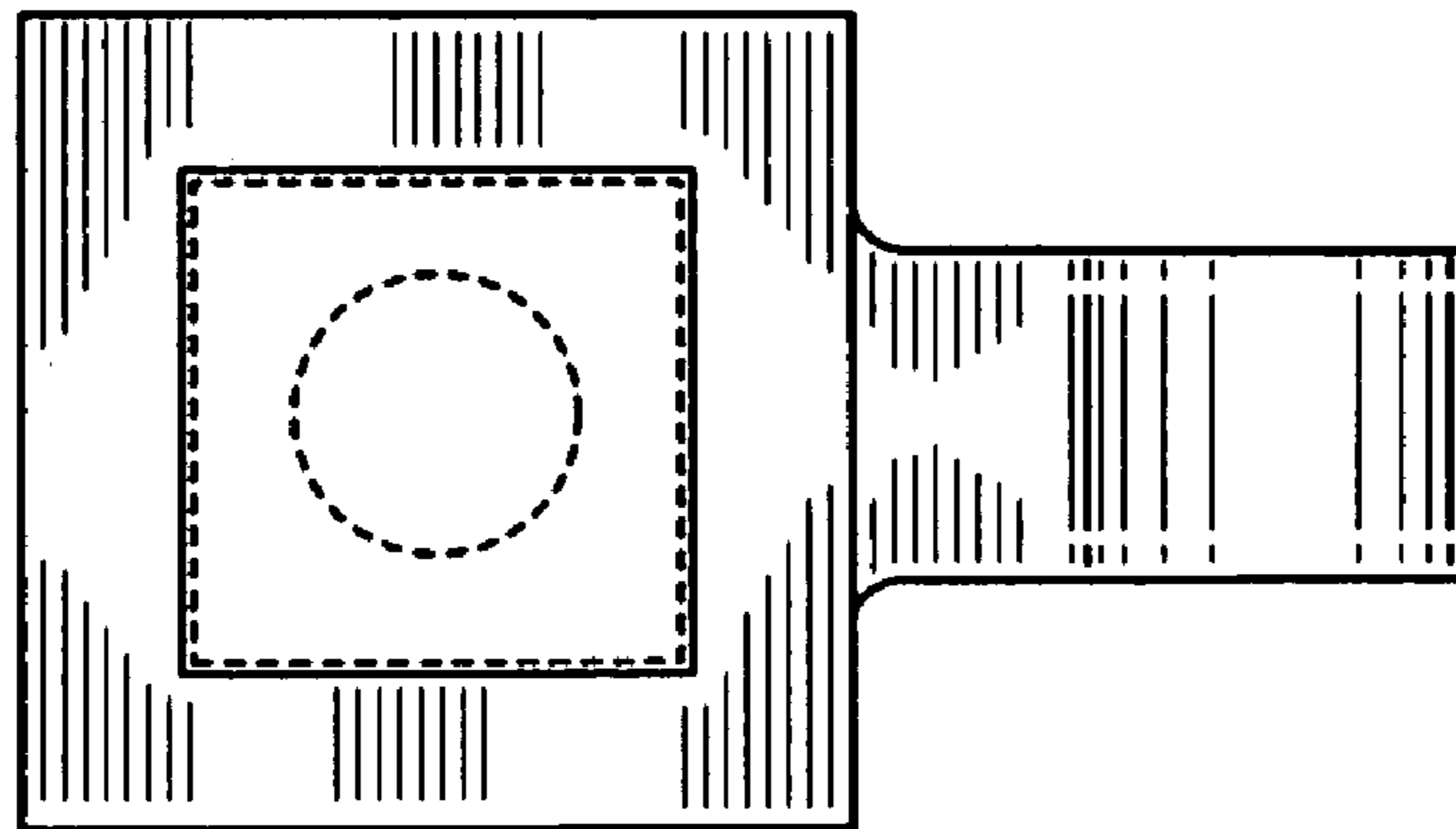


FIG. 6

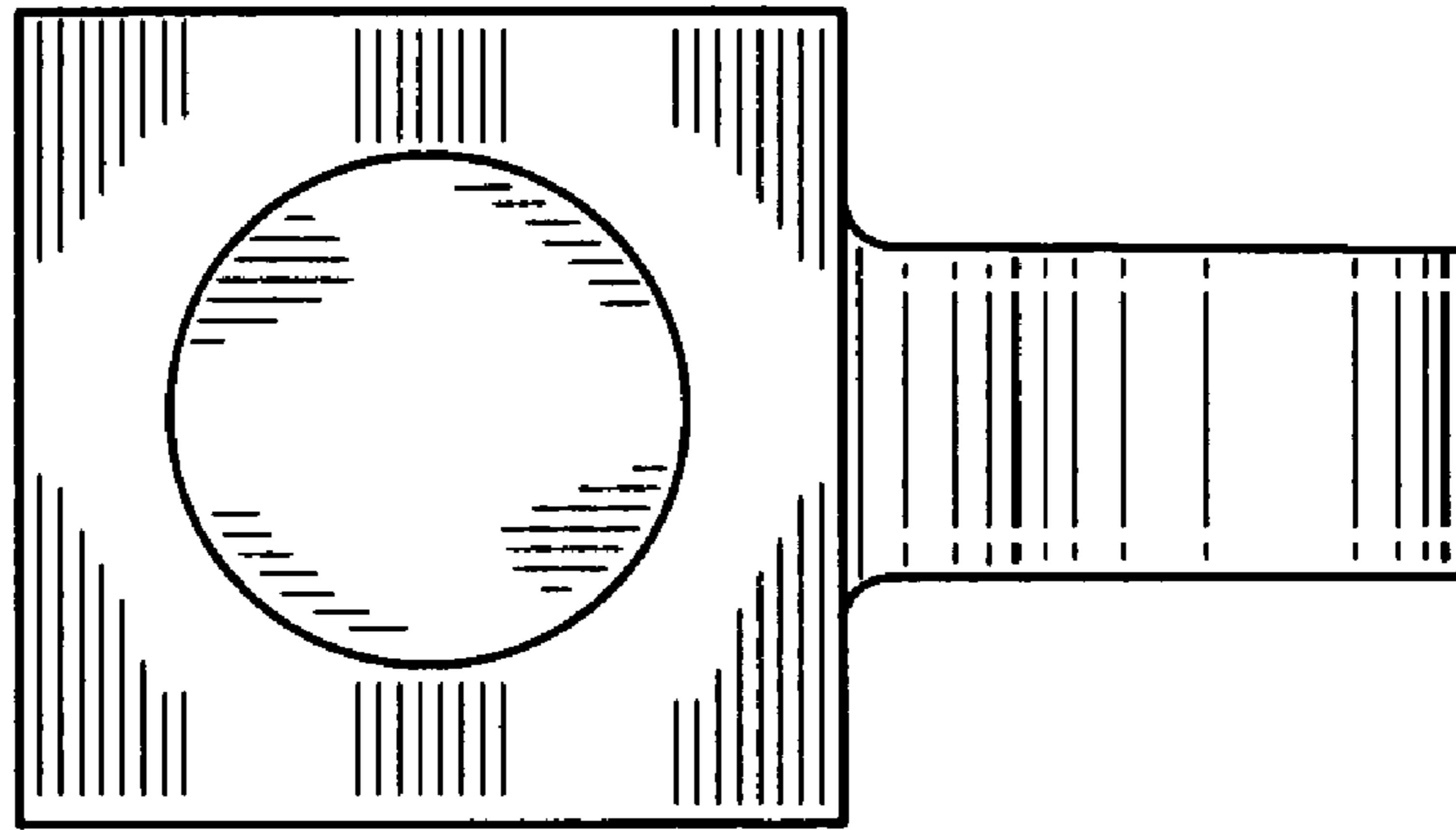


FIG. 7