



US00D630261S

(12) **United States Design Patent**
Mead

(10) **Patent No.:** **US D630,261 S**
(45) **Date of Patent:** **** Jan. 4, 2011**

(54) **TOY SHIELD ASSEMBLY**

(75) Inventor: **Raymond Aaron Mead**, Pawtucket, RI (US)

(73) Assignee: **Hasbro, Inc.**, Pawtucket, RI (US)

(**) Term: **14 Years**

(21) Appl. No.: **29/354,899**

(22) Filed: **Jan. 29, 2010**

(51) **LOC (9) Cl.** **21-01**

(52) **U.S. Cl.** **D21/483**

(58) **Field of Classification Search** D21/483,
D21/570, 573-575; D22/108, 109, 110;
D29/100, 106, 108, 110, 111, 122; D14/450,
D14/455; D15/138; 109/49.5; 89/36.01,
89/36.02, 36.04, 36.05, 36.06, 36.07; 446/26-28
See application file for complete search history.

(56) **References Cited**

U.S. PATENT DOCUMENTS

2,820,318	A	1/1958	Guyer	
3,866,242	A *	2/1975	Slagel	109/49.5
4,412,495	A *	11/1983	Sankar	109/49.5
4,843,947	A *	7/1989	Bauer et al.	89/36.05
D325,035	S *	3/1992	Sparks	D15/138
5,273,607	A	12/1993	O'Scanlon	
D362,697	S	9/1995	Choi	
5,747,721	A *	5/1998	Speakes et al.	89/36.02
D453,764	S *	2/2002	Linyear et al.	D14/455
6,595,101	B2 *	7/2003	Baker	89/36.05

7,080,587	B2 *	7/2006	Benyami et al.	89/36.02
7,124,675	B1 *	10/2006	Sand	89/36.07
7,243,590	B2 *	7/2007	McClellan et al.	89/36.06
7,520,206	B2 *	4/2009	Baker	89/36.06
2005/0217472	A1 *	10/2005	Baker	89/36.06
2007/0283801	A1 *	12/2007	Gallo	89/36.02
2008/0216803	A1 *	9/2008	Cuisinier	446/26
2009/0025546	A1 *	1/2009	White	89/36.02

* cited by examiner

Primary Examiner—Cynthia M Chin

(74) *Attorney, Agent, or Firm*—Perry Hoffman

(57) **CLAIM**

The ornamental design for a toy shield assembly, as shown and described.

DESCRIPTION

FIG. 1 is a perspective view of the toy shield assembly of the instant invention;

FIG. 2 is a front elevation view thereof;

FIG. 3 is a rear elevation view thereof;

FIG. 4 is a right side elevational view thereof;

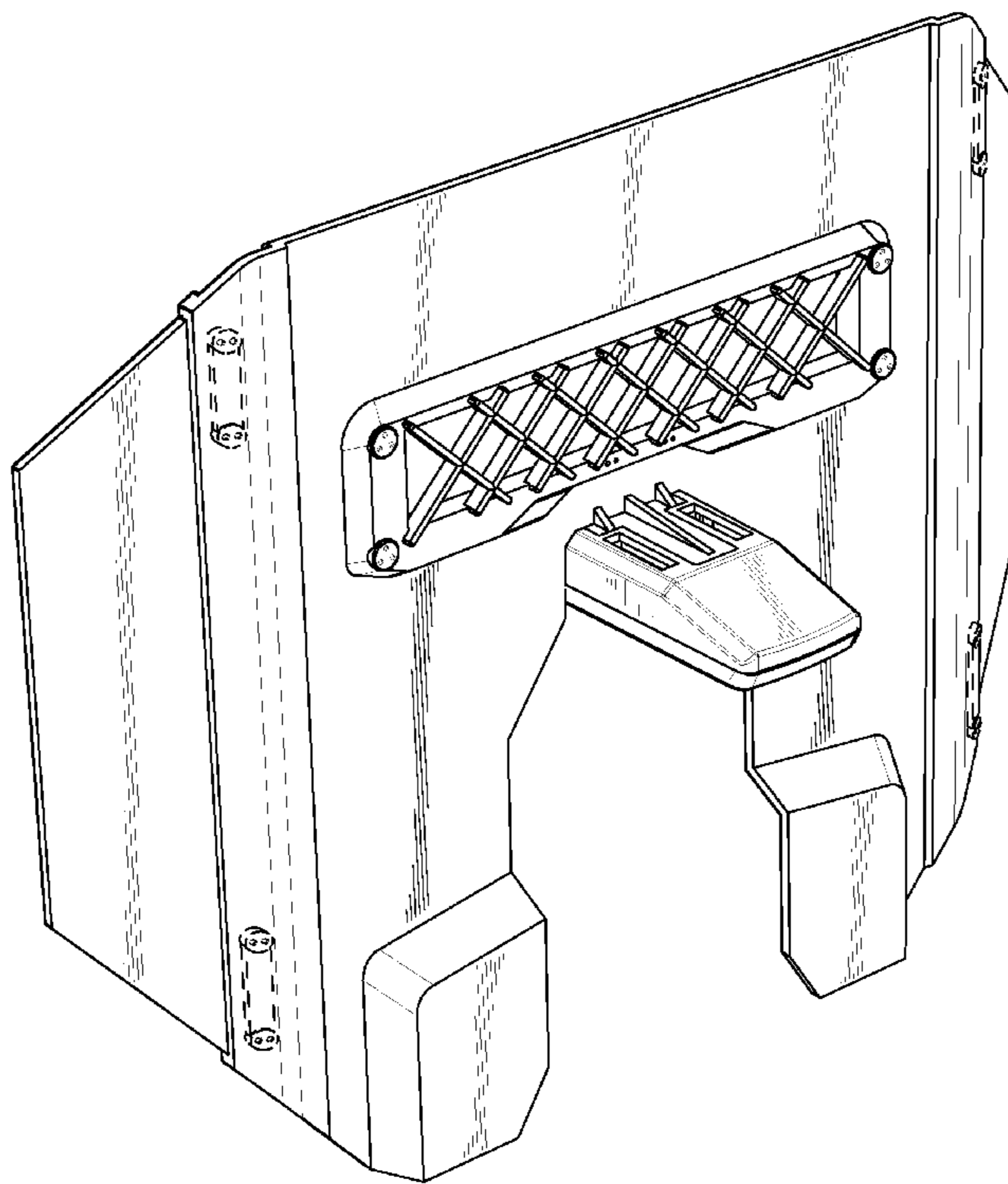
FIG. 5 is a left side elevational view thereof;

FIG. 6 is a top end view thereof; and,

FIG. 7 is a bottom end view thereof.

The broken lines represent portions of the design that form no part of the claim.

1 Claim, 3 Drawing Sheets



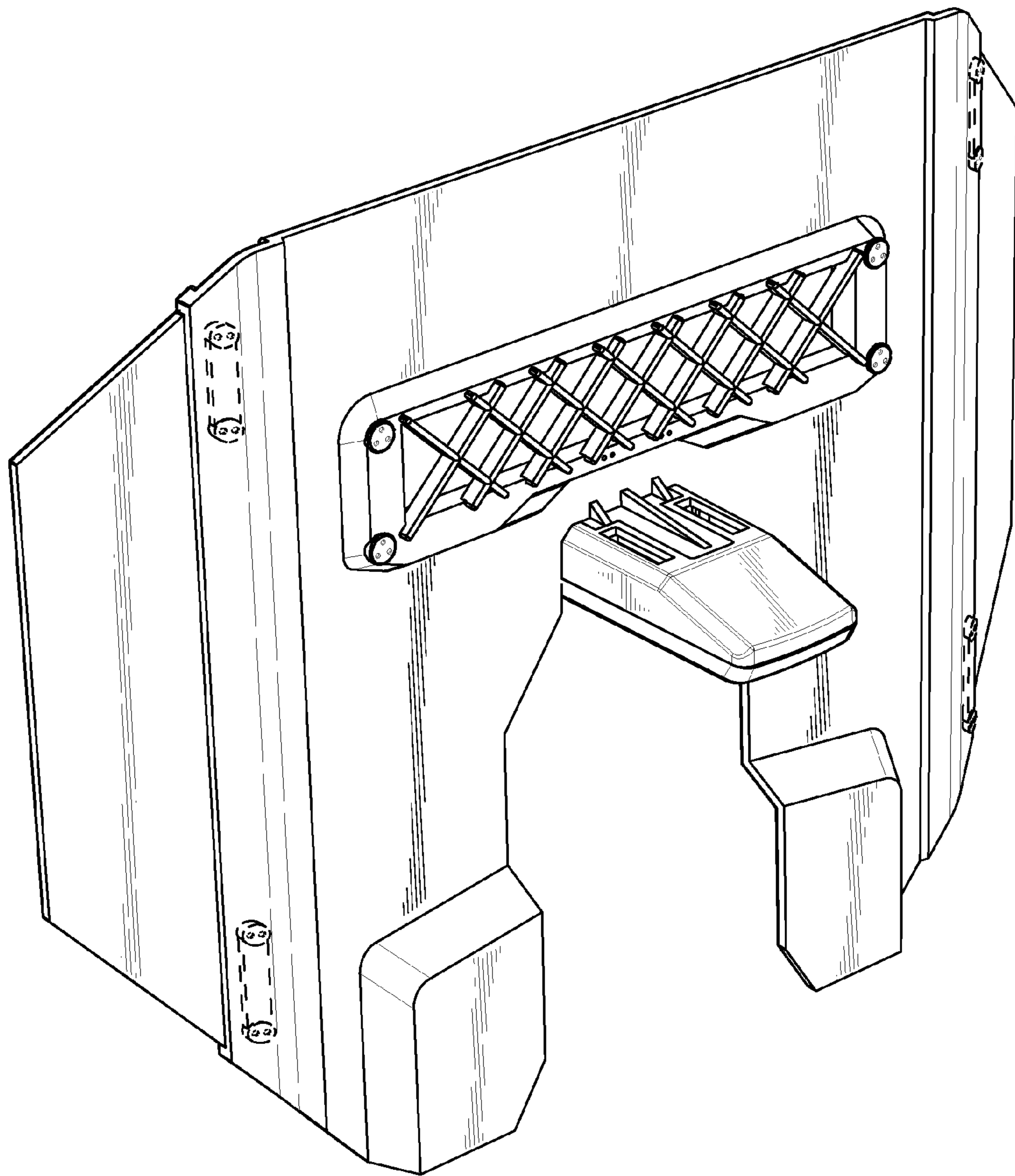


FIG. 1

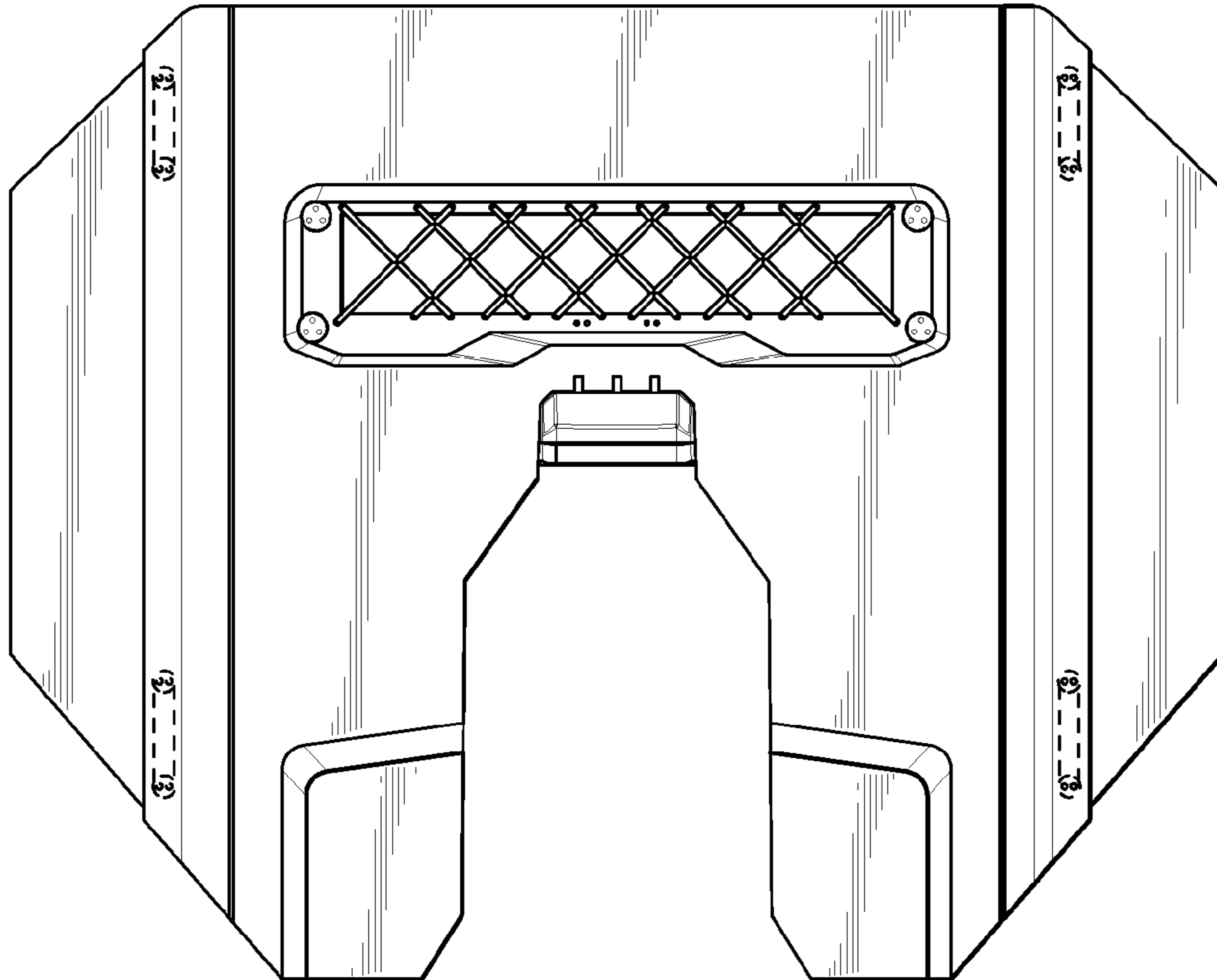


FIG. 2

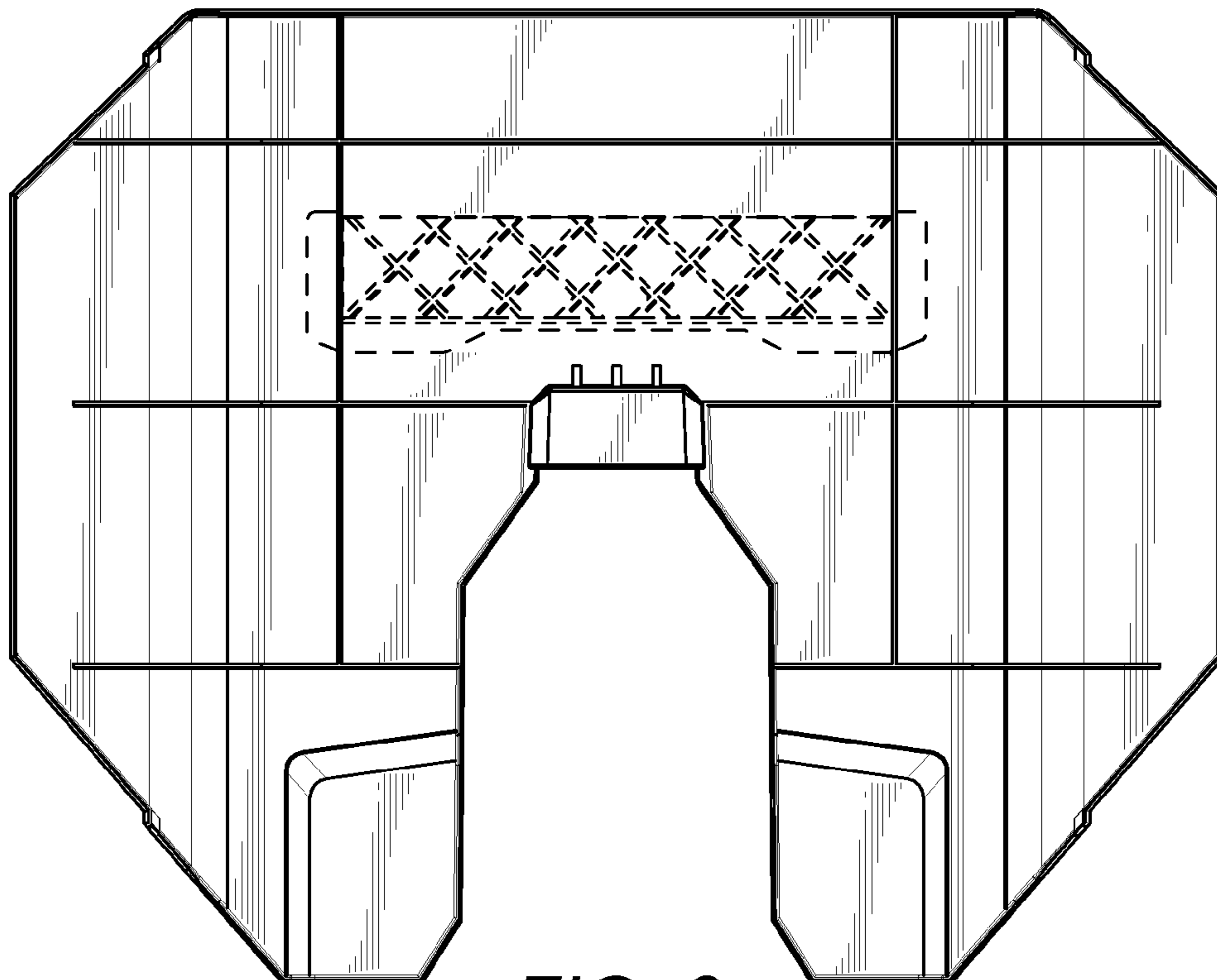


FIG. 3

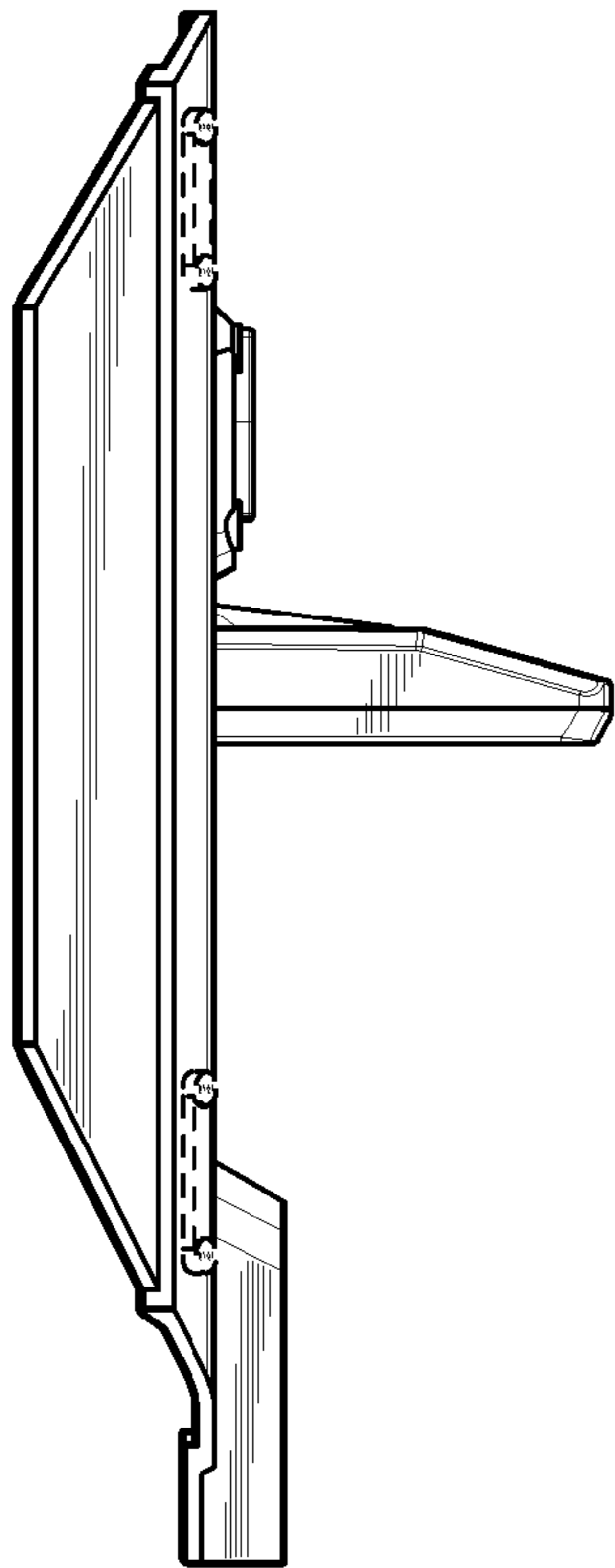


FIG. 4

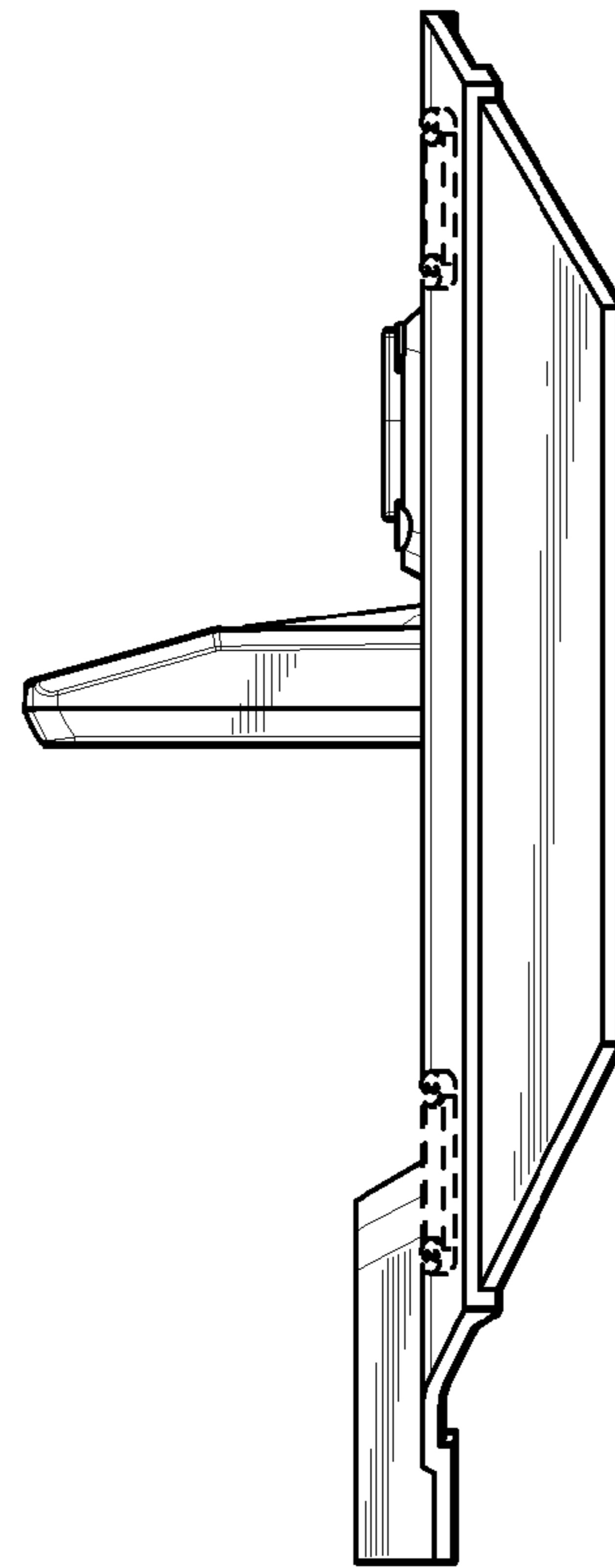


FIG. 5

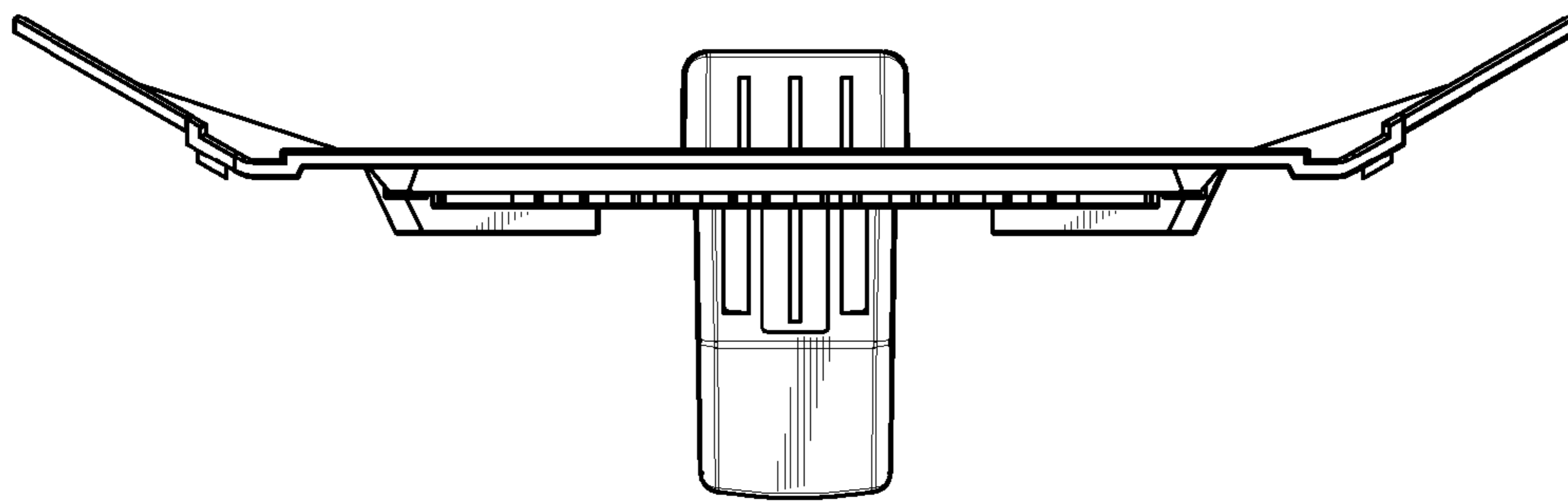


FIG. 6

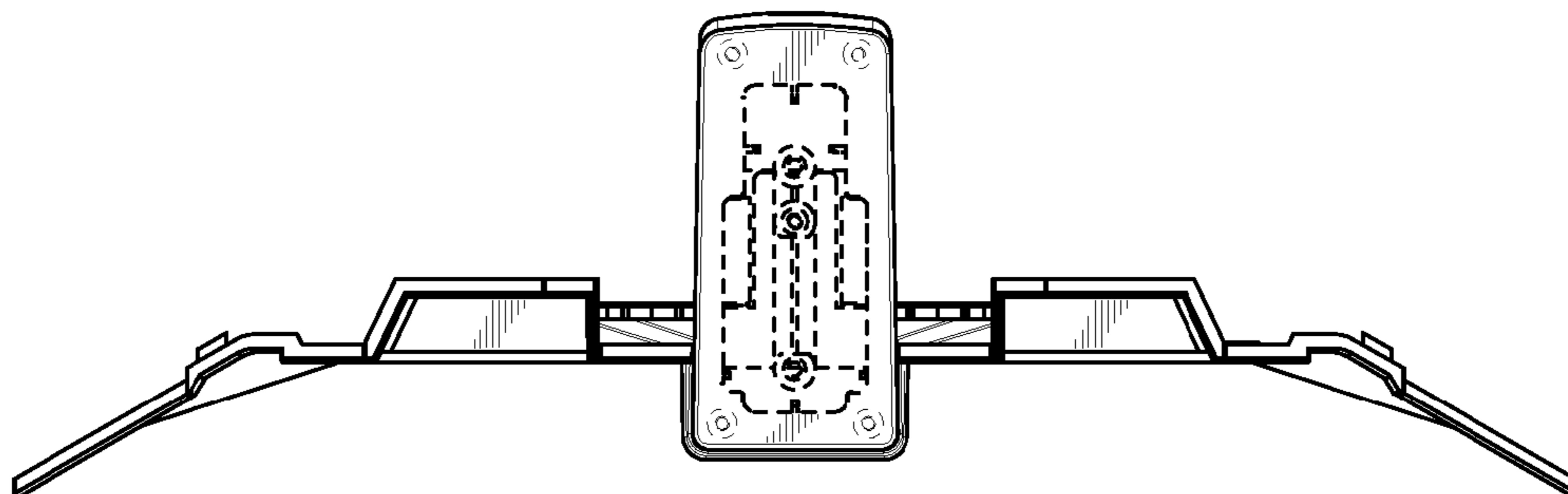


FIG. 7