



US00D630260S

(12) **United States Design Patent**
Cole et al.

(10) **Patent No.:** **US D630,260 S**
(45) **Date of Patent:** **** Jan. 4, 2011**

(54) **CHILDS TOY LOCK**

(76) Inventors: **Trent Cole**, 880 Mandalay Ave., N614,
Clearwater Beach, FL (US) 33767; **Clint
Cole**, 21 Evonaire Cir., Belleair, FL (US)
33756

(**) Term: **14 Years**

(21) Appl. No.: **29/345,752**

(22) Filed: **Oct. 22, 2009**

(51) **LOC (9) Cl.** **21-01**

(52) **U.S. Cl.** **D21/483; D8/334**

(58) **Field of Classification Search** **D21/483,**
D21/532; D8/330, 333, 334, 335, 343; D3/207,
D3/208, 210, 211; 70/20, 21, 29, 31, 35,
70/38 A-38 C, 45-47

See application file for complete search history.

(56) **References Cited**

U.S. PATENT DOCUMENTS

D32,619 S *	5/1900	Wales	D8/334
D88,305 S *	11/1932	Luling	D8/334
D248,190 S *	6/1978	Motzer	D3/207
D262,390 S *	12/1981	Pippus	D21/483
D287,606 S *	1/1987	Maruyama	D8/334
D287,607 S *	1/1987	Maruyama	D8/334
D316,955 S *	5/1991	Goida et al.	D8/334
D484,776 S *	1/2004	Ruan	D8/334
D517,396 S *	3/2006	Tarter et al.	D8/334
D590,695 S *	4/2009	Wu	D8/334

* cited by examiner

Primary Examiner—Cynthia M Chin

(74) *Attorney, Agent, or Firm*—Maxey Law Offices, PLLC;
Brittany J. Maxey; Stephen Lewellyn

(57) **CLAIM**

The ornamental design for a childs toy lock, as shown and described.

DESCRIPTION

FIG. 1 is a front elevation view of the childs toy lock of a first embodiment;

FIG. 2 is a back elevation view of the first embodiment;

FIG. 3 is a bottom plan view of the first embodiment;

FIG. 4 is a top plan view of the first embodiment;

FIG. 5 is a first side elevation view of the first embodiment; the second side elevation of view the first embodiment being a mirror image thereof;

FIG. 6 is a front perspective of the first embodiment;

FIG. 7 is a rear perspective view of the first embodiment;

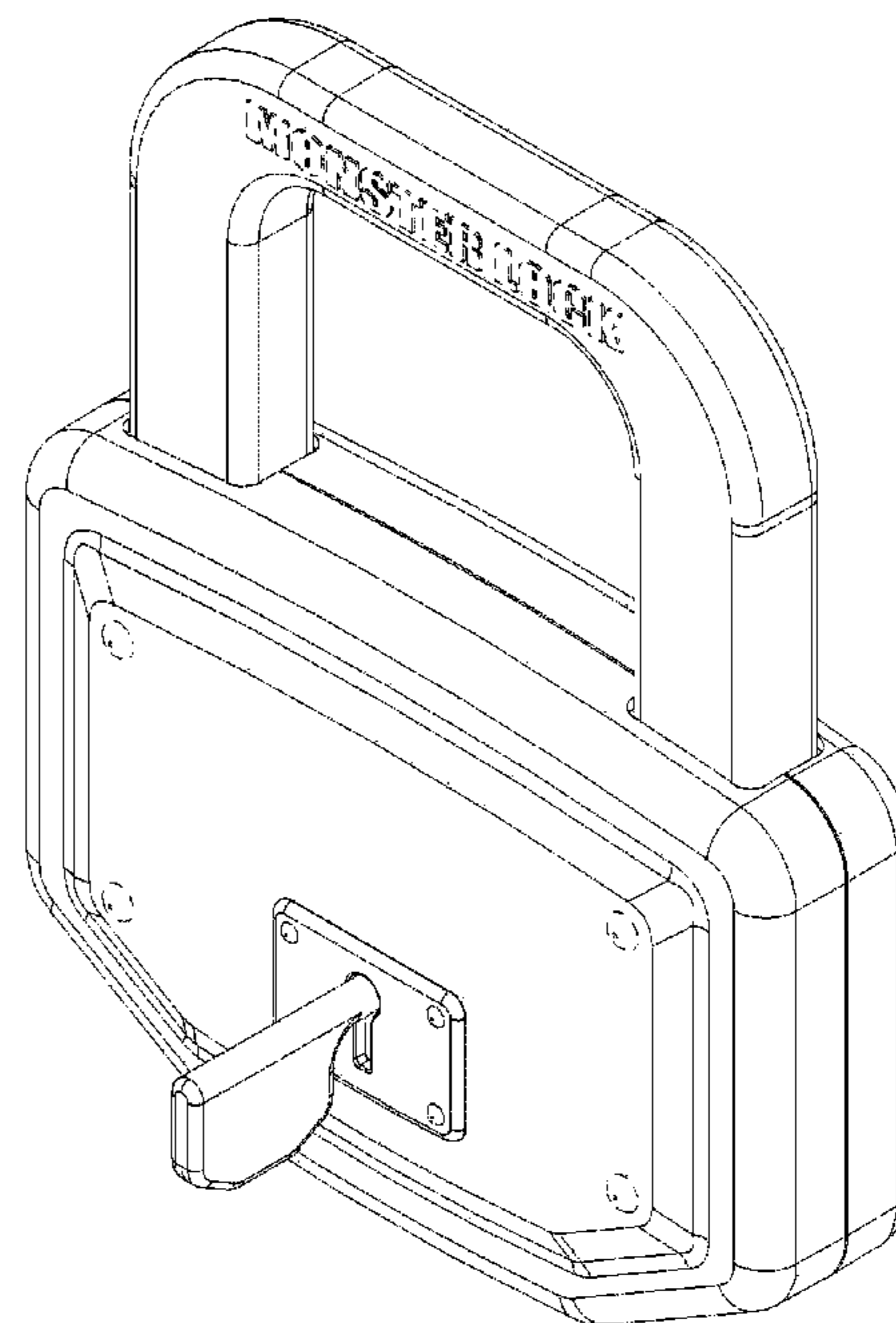
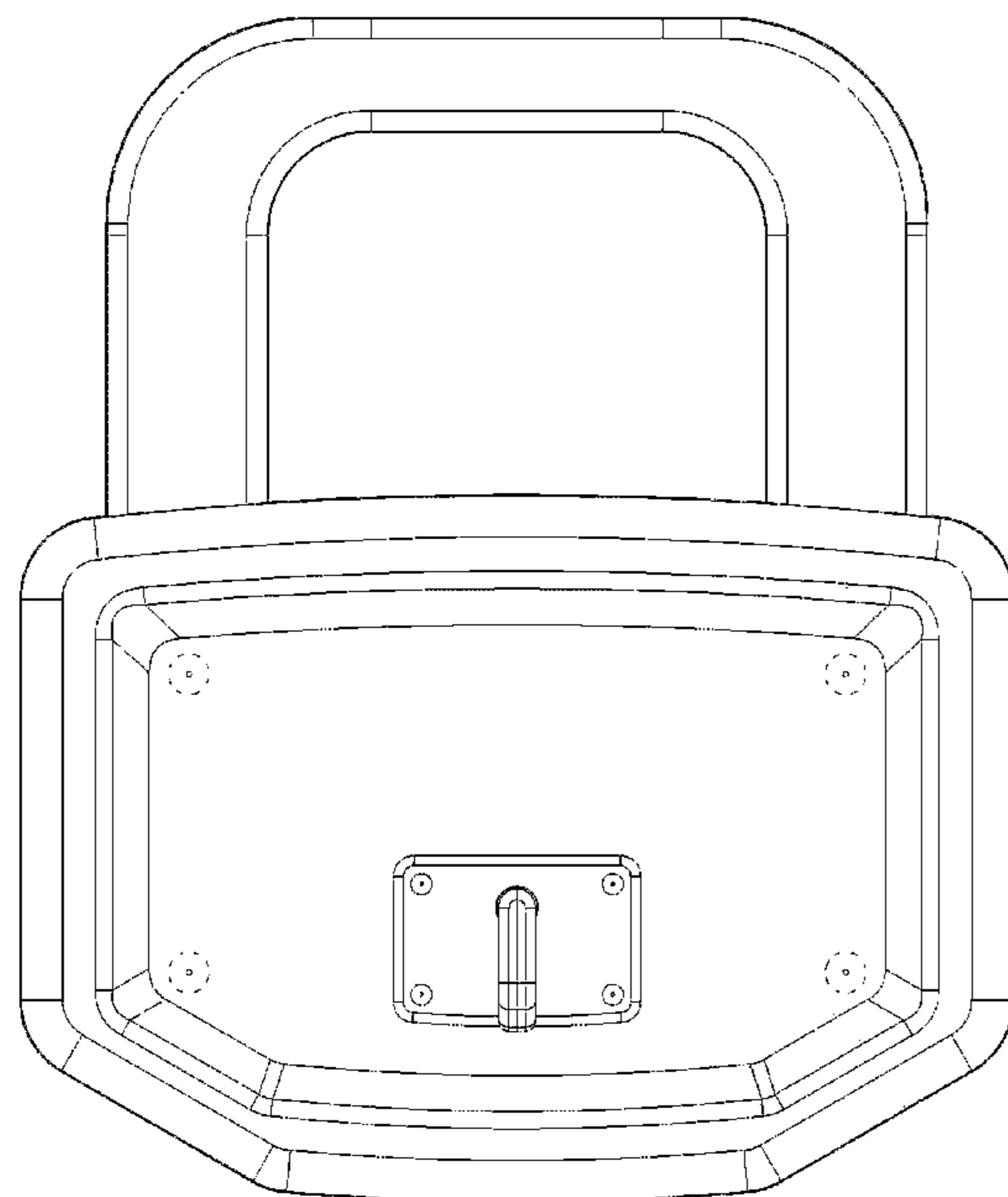
FIG. 8 is a rear perspective view of a second embodiment of our design, the only difference from the first embodiment being that this embodiment does not include dashed lines;

FIG. 9 is a front perspective view of a third embodiment of our design, the only difference from the first embodiment being that this embodiment includes unclaimed indicia across an upper surface thereof; and,

FIG. 10 is a front elevational view of the third embodiment.

The dashed lines in FIGS. 1-7, 9 and 10 represent portions of the design that form no part of the claim. All surface(s) or portion(s) of the embodiments of our design not shown in the figures or otherwise described in the specification form no part of the claimed design.

1 Claim, 9 Drawing Sheets



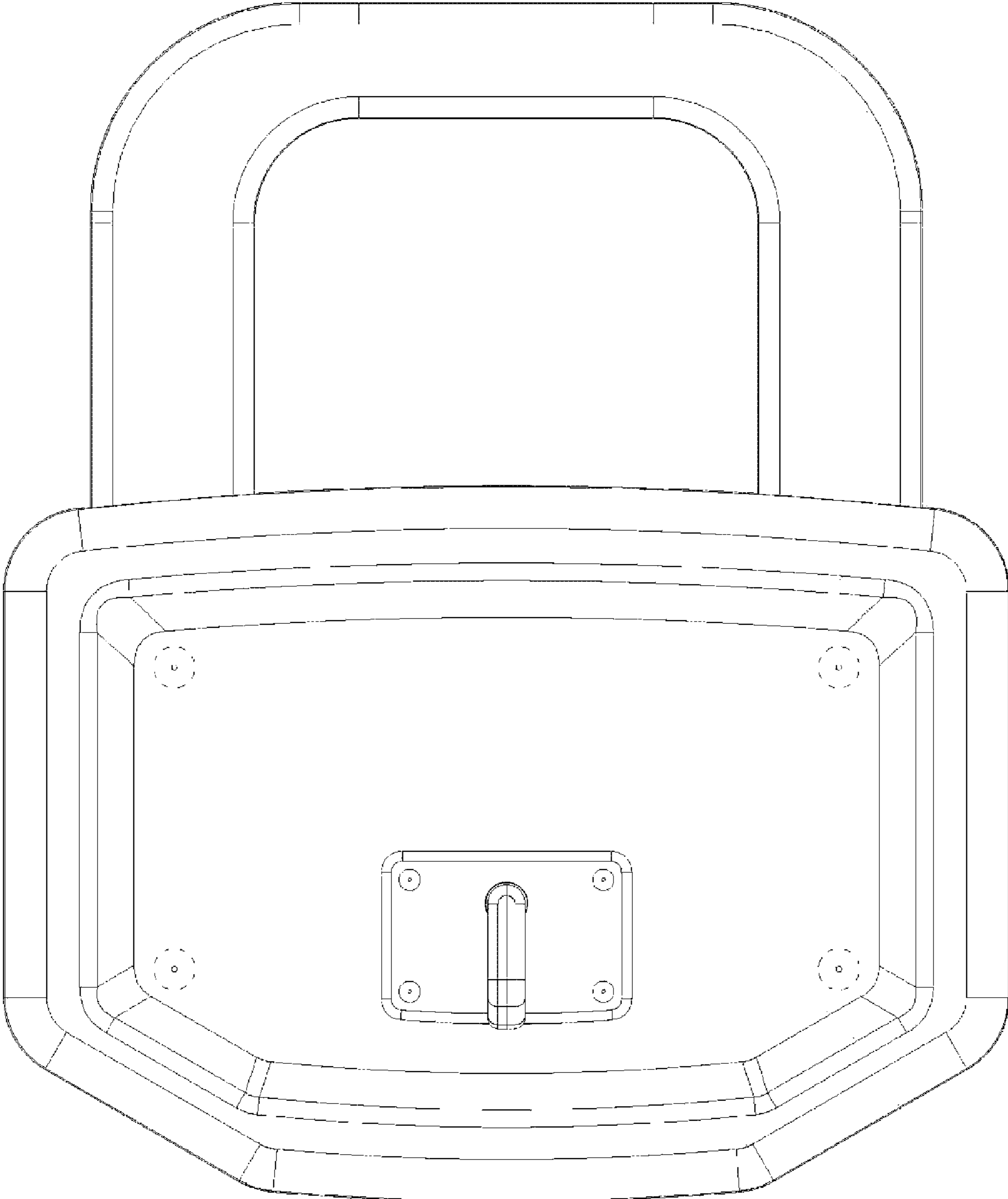


Fig. 1

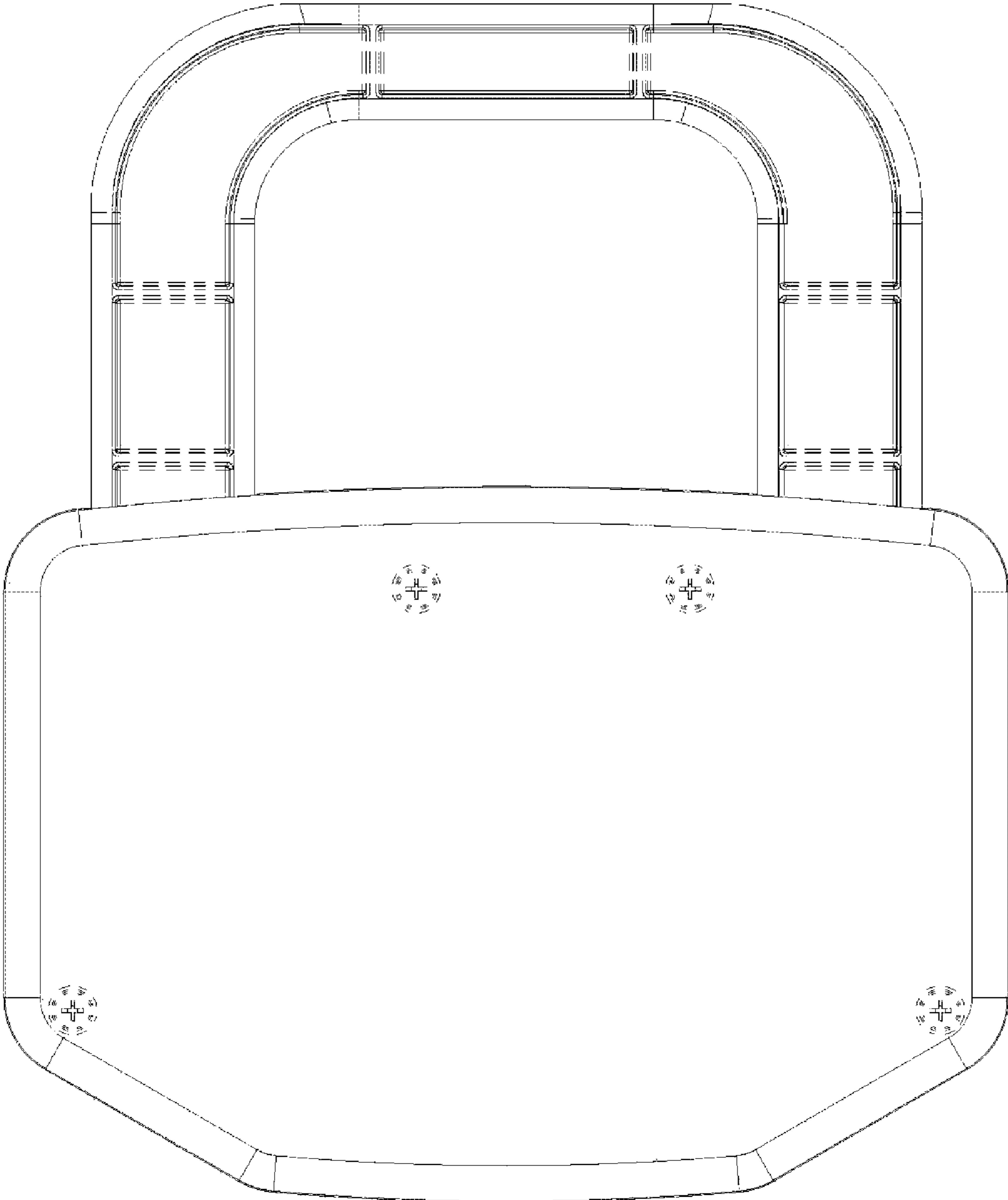


Fig. 2

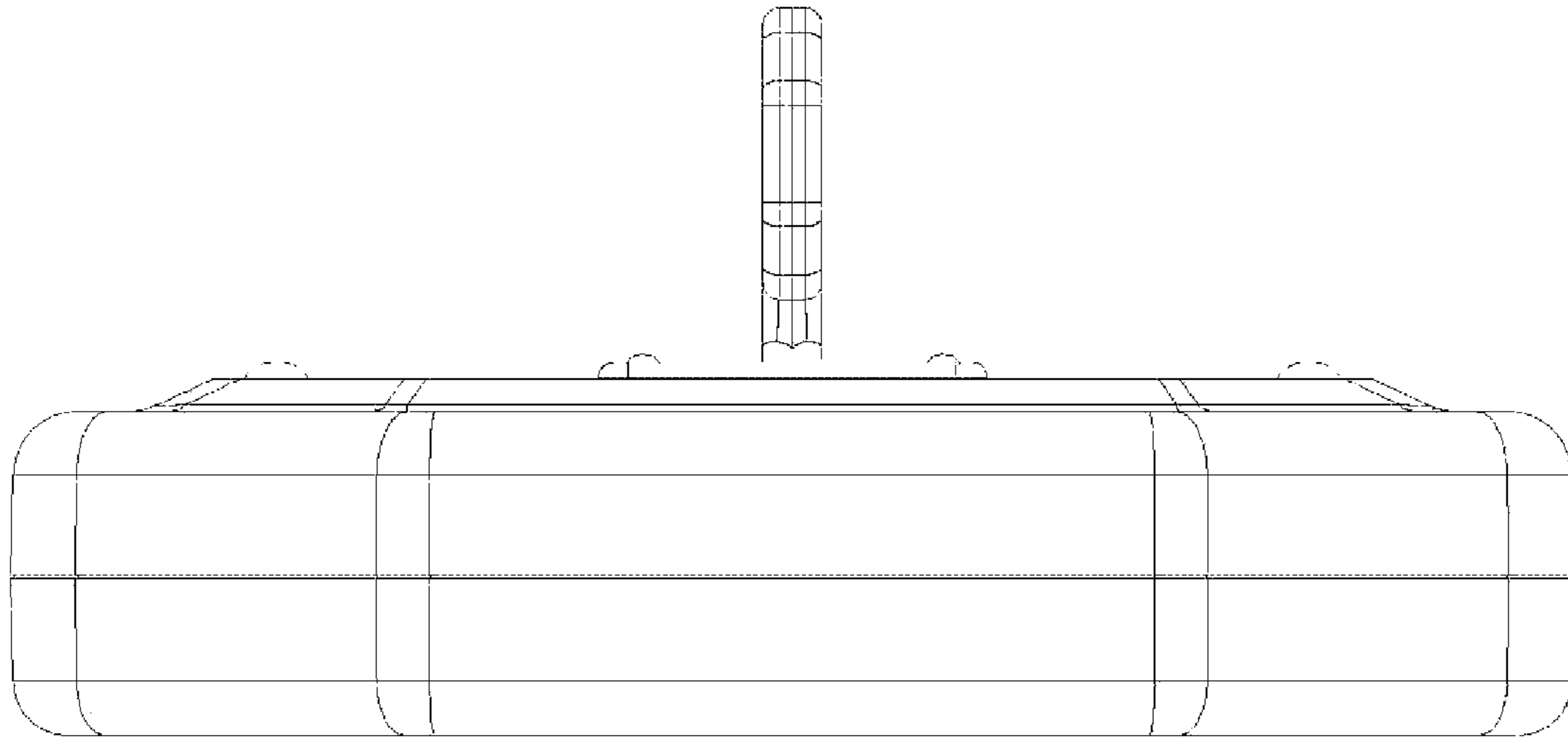


Fig. 3

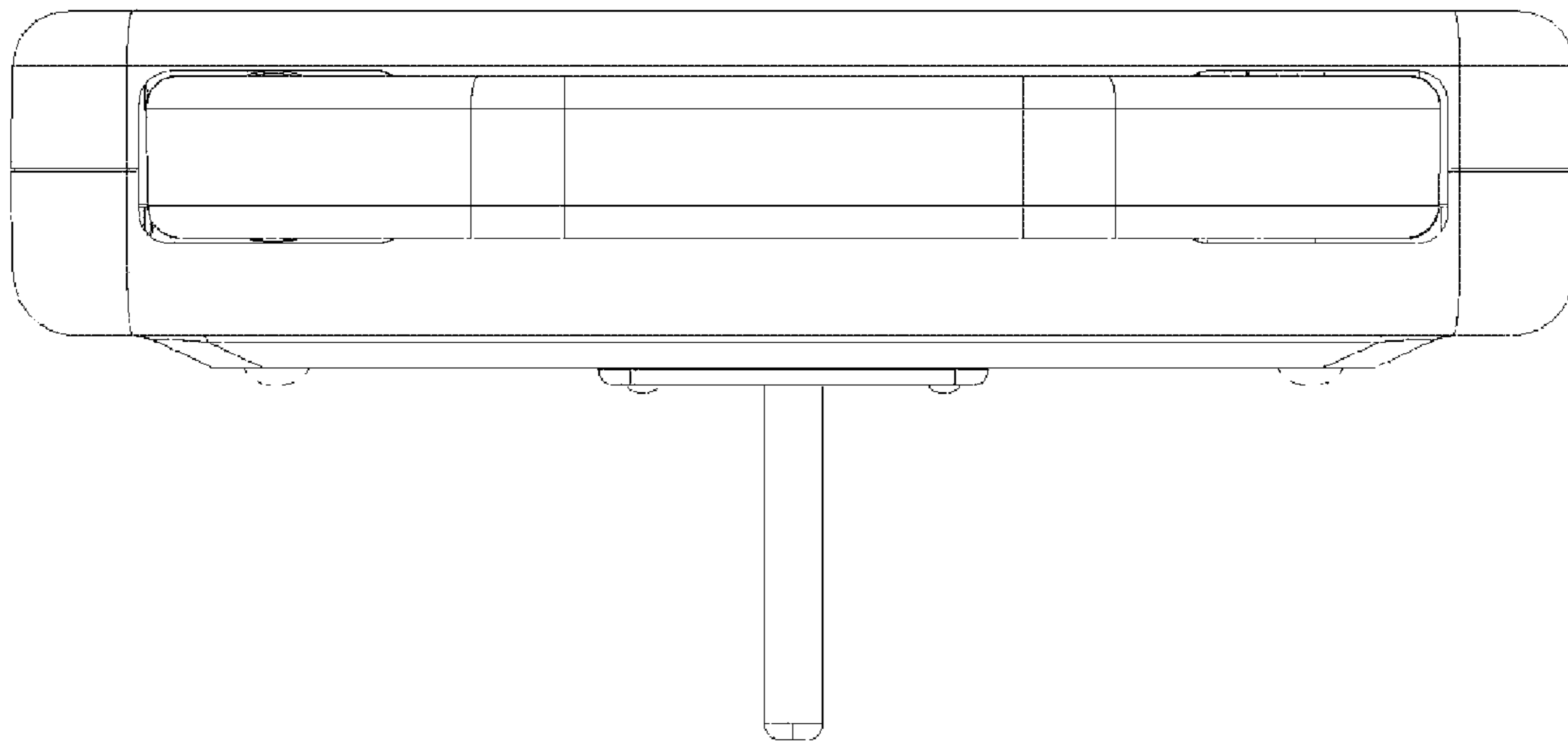


Fig. 4

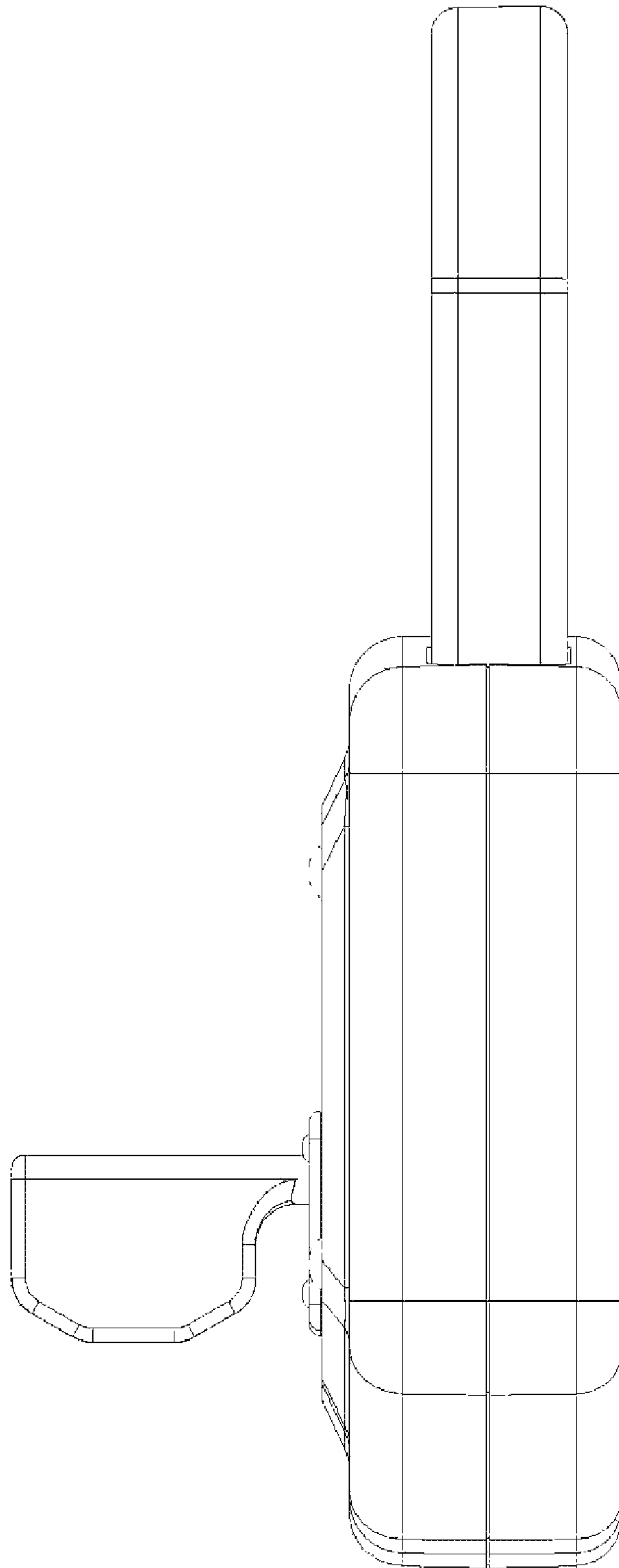


Fig. 5

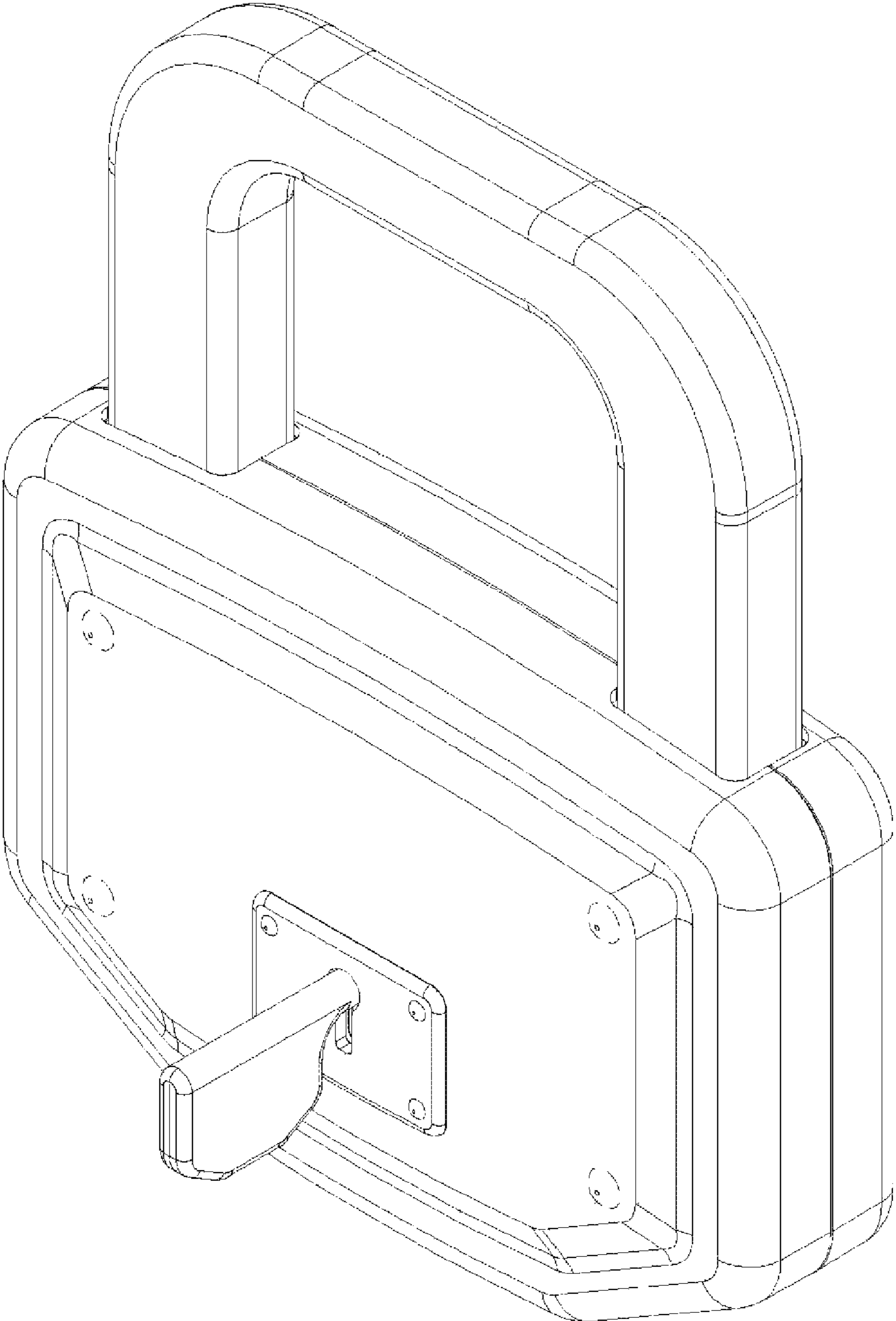


Fig. 6

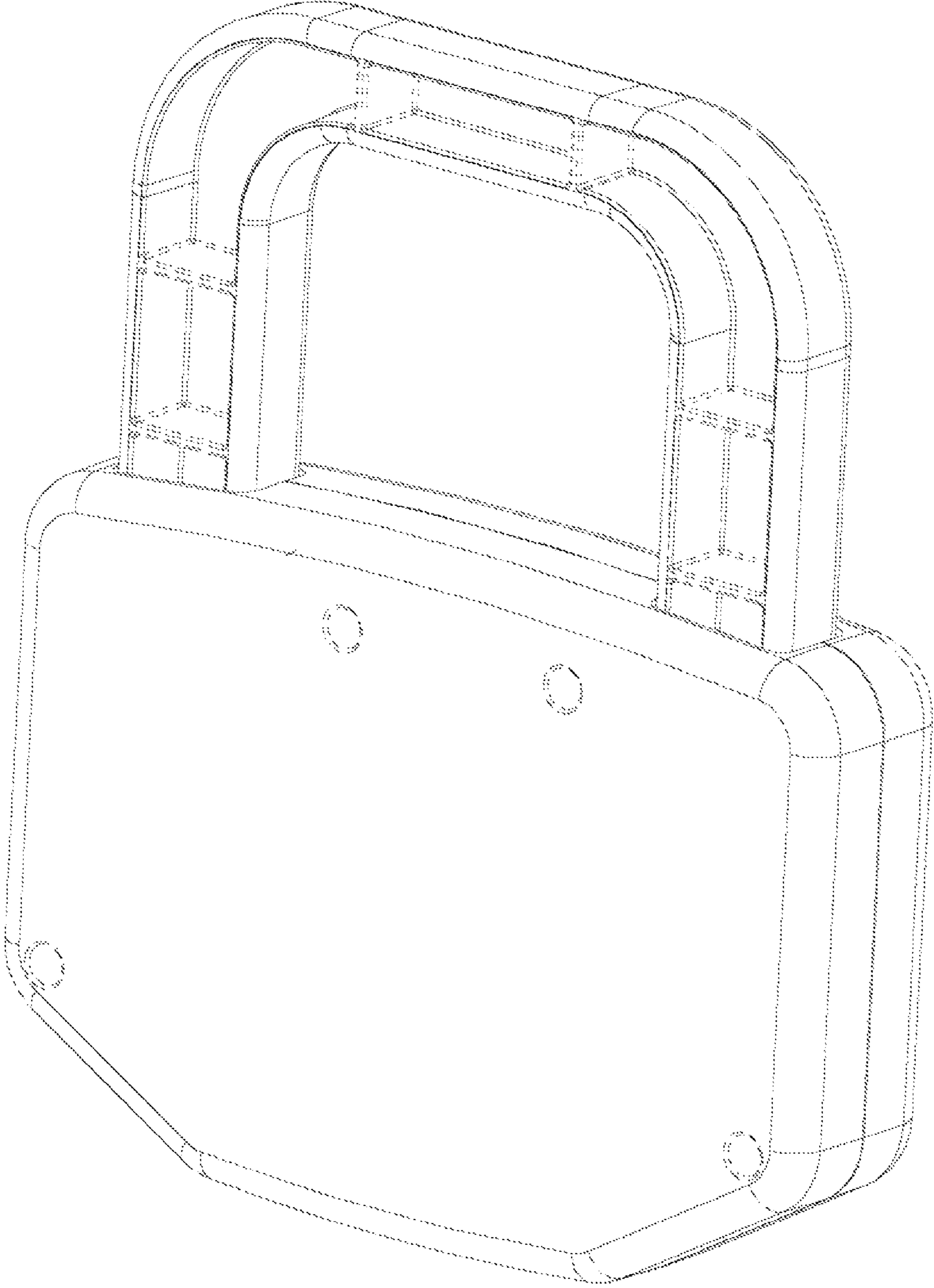


Fig. 7

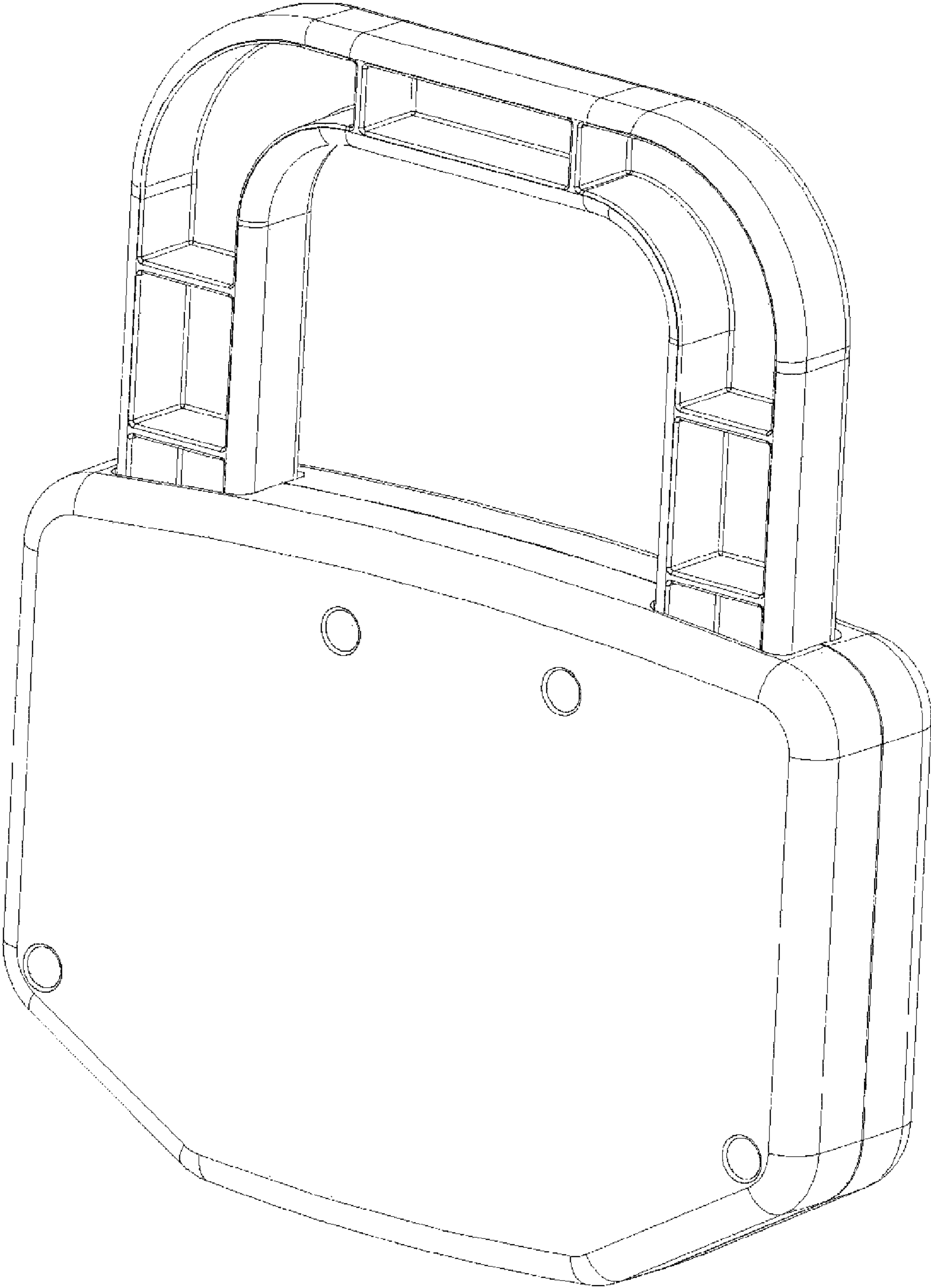


Fig. 8

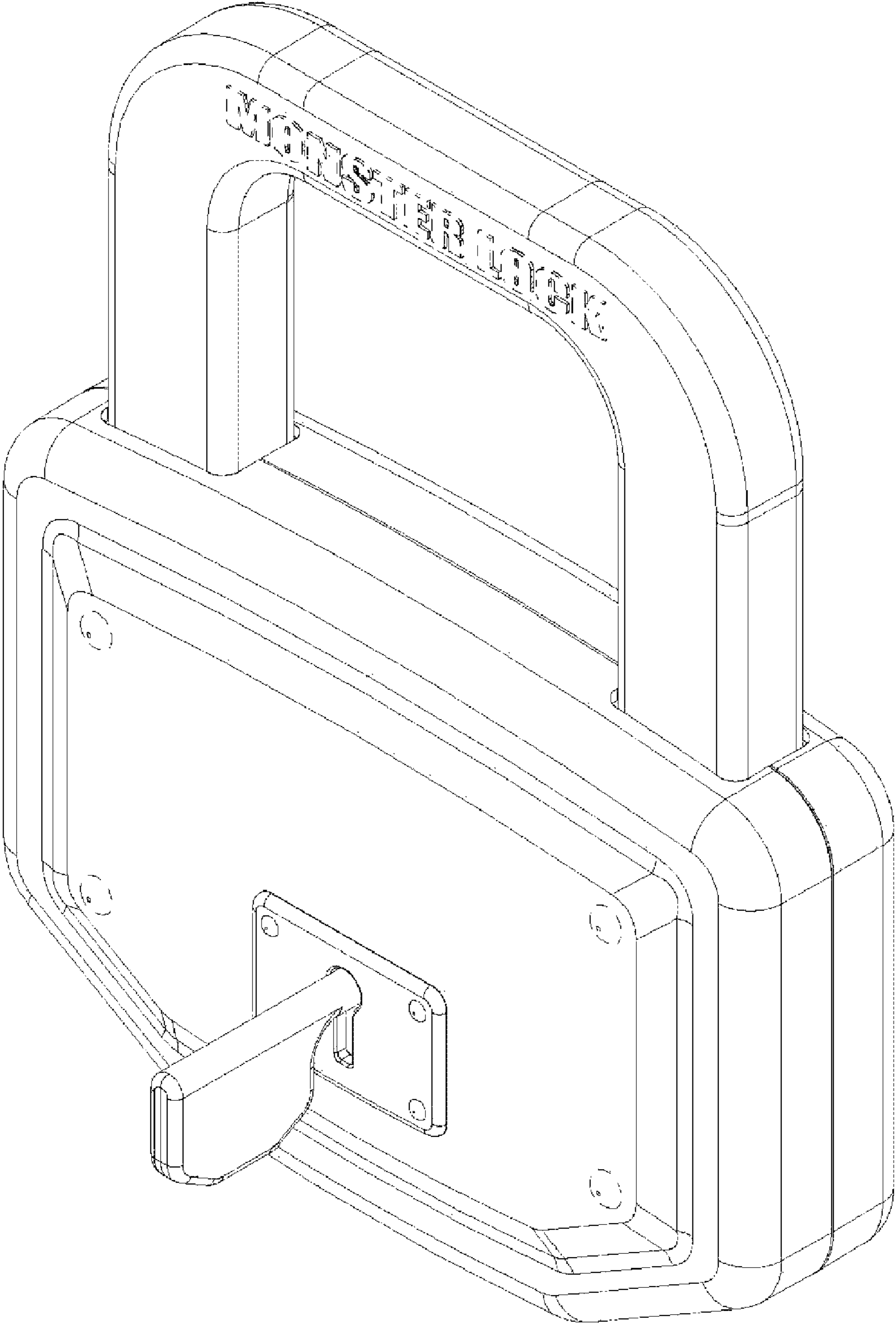


Fig. 9

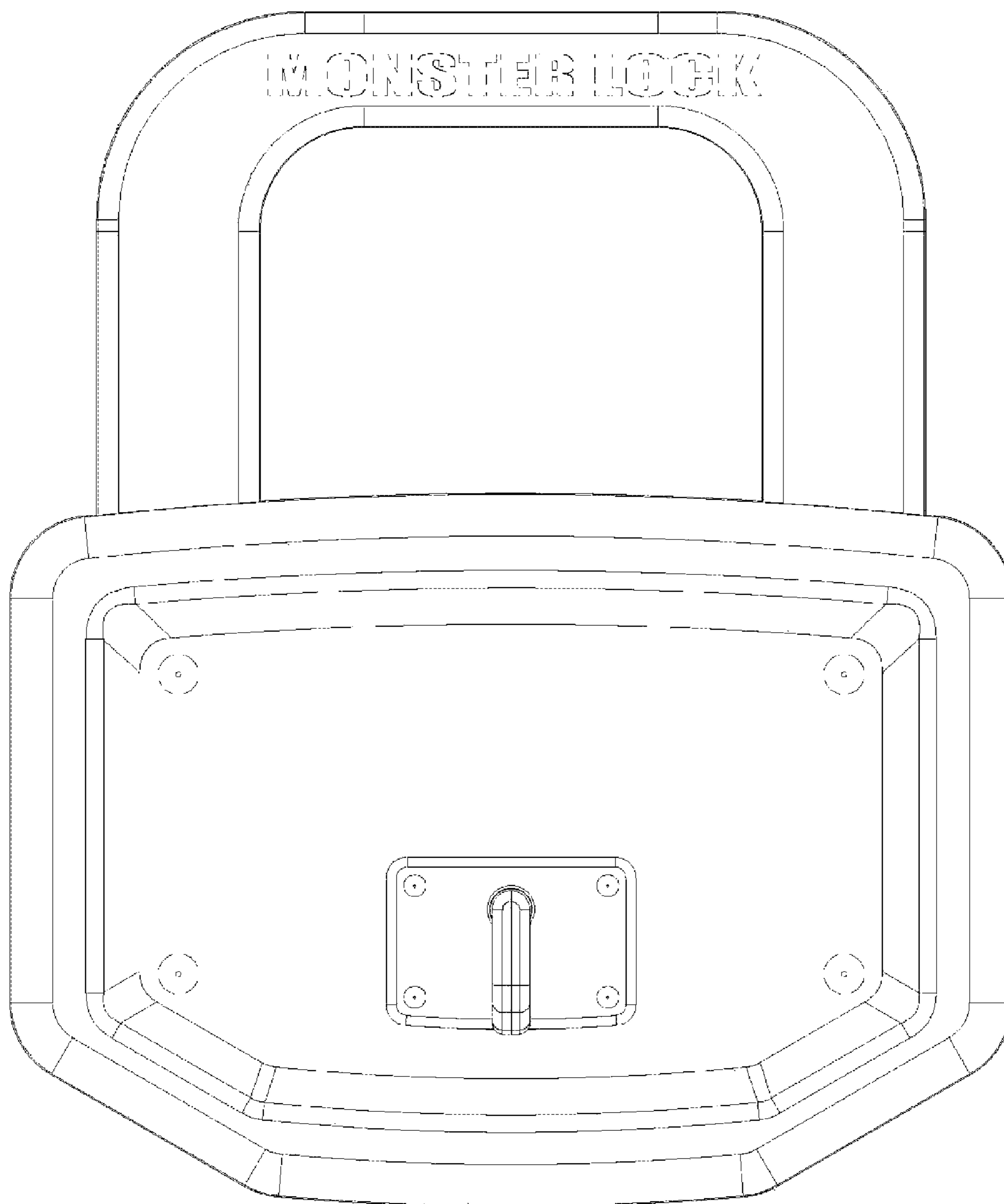


Fig. 10