



US00D630259S

(12) **United States Design Patent**
Lu

(10) **Patent No.:** **US D630,259 S**
(45) **Date of Patent:** **** Jan. 4, 2011**

(54) **BABY WALKER**

(75) Inventor: **Li-Wei Lu**, Taichung (TW)

(73) Assignee: **YOUNG HUNG INDUSTRY Co., Ltd.**,
Taichung (TW)

(**) Term: **14 Years**

(21) Appl. No.: **29/345,730**

(22) Filed: **Oct. 21, 2009**

(51) **LOC (9) Cl.** **21-01**

(52) **U.S. Cl.** **D21/421; D12/130**

(58) **Field of Classification Search** D21/412,
D21/414, 415, 419, 420, 421, 426, 433; D12/130,
D12/133; 280/7.1, 7.17, 87.041, 87.05, 87.051;
482/66, 68, 69

See application file for complete search history.

(56) **References Cited**

U.S. PATENT DOCUMENTS

D395,467	S *	6/1998	Bellows	D21/412
D402,931	S *	12/1998	Huang	D12/133
D417,417	S *	12/1999	Keegan et al.	D12/130
D427,116	S *	6/2000	Keegan et al.	D12/130
6,386,563	B1 *	5/2002	Chen et al.	280/87.051
7,287,768	B2 *	10/2007	Myers et al.	280/87.051

2004/0075231	A1 *	4/2004	Hou et al.	280/87.051
2005/0146106	A1 *	7/2005	Myers et al.	280/87.051
2010/0078909	A1 *	4/2010	Cheng	280/87.051

* cited by examiner

Primary Examiner—Cynthia M Chin

(74) *Attorney, Agent, or Firm*—Egbert Law Offices PLLC

(57) **CLAIM**

The ornamental design for a baby walker, as shown and described.

DESCRIPTION

FIG. 1 is an upper perspective view of the baby walker showing my design.

FIG. 2 is a front elevation view thereof;

FIG. 3 is a back elevation view thereof;

FIG. 4 is a side elevation view thereof;

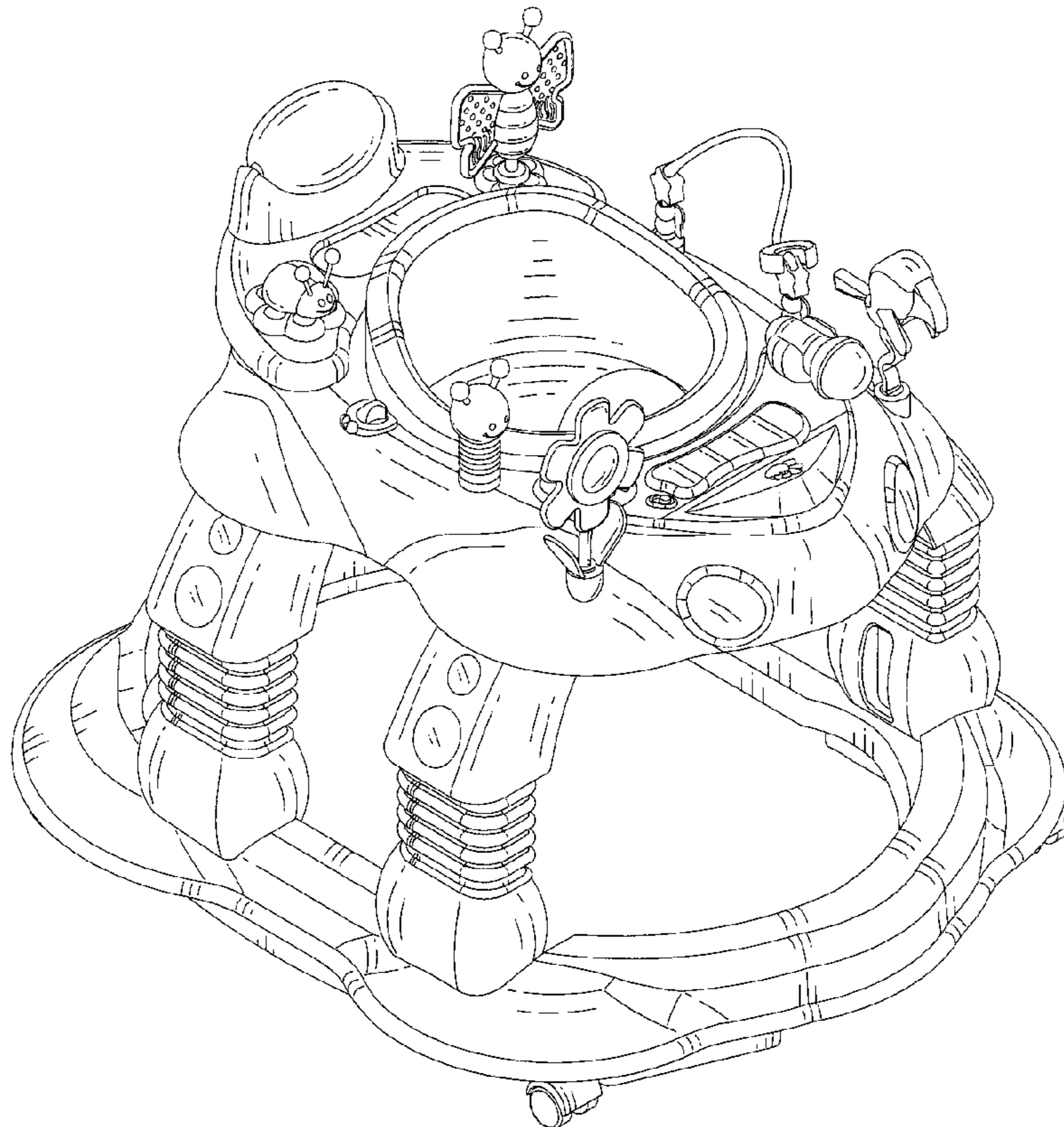
FIG. 5 is an opposite side elevation view thereof;

FIG. 6 is a top plan view thereof; and,

FIG. 7 is a bottom plan view thereof.

The broken lines in FIG. 7 represent portions of the design that form no part of the claim.

1 Claim, 7 Drawing Sheets



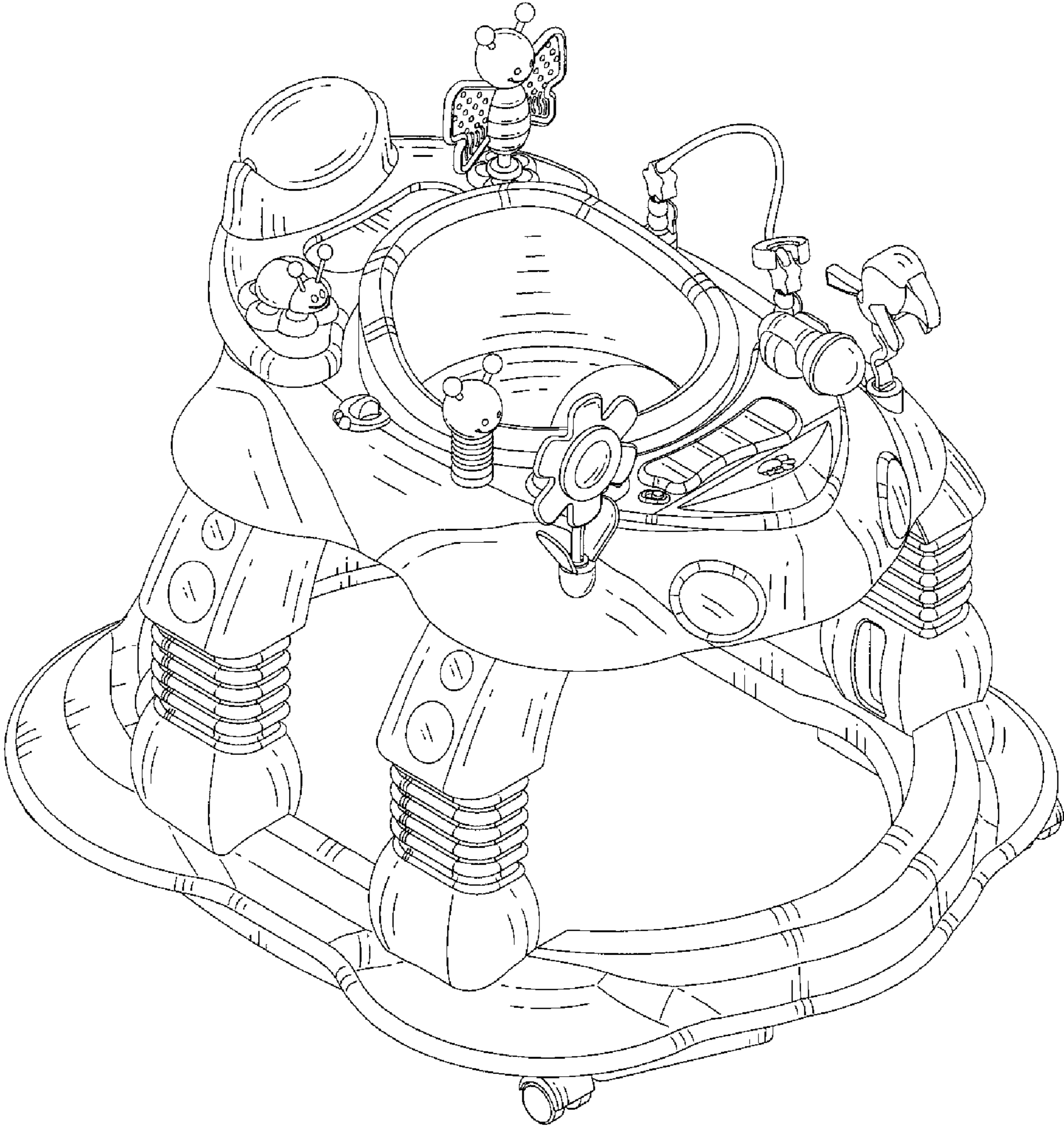


FIG.1

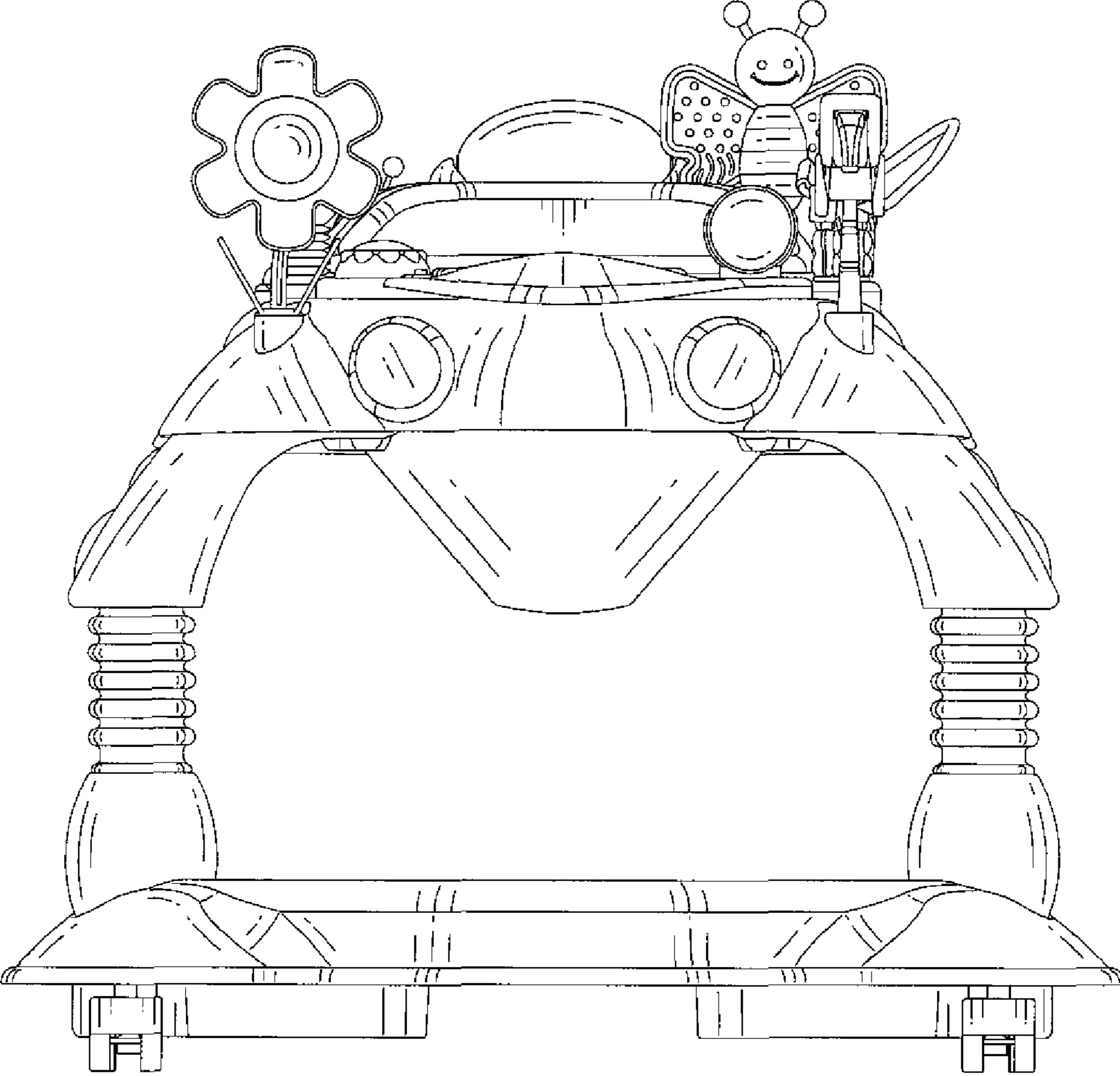


FIG.2

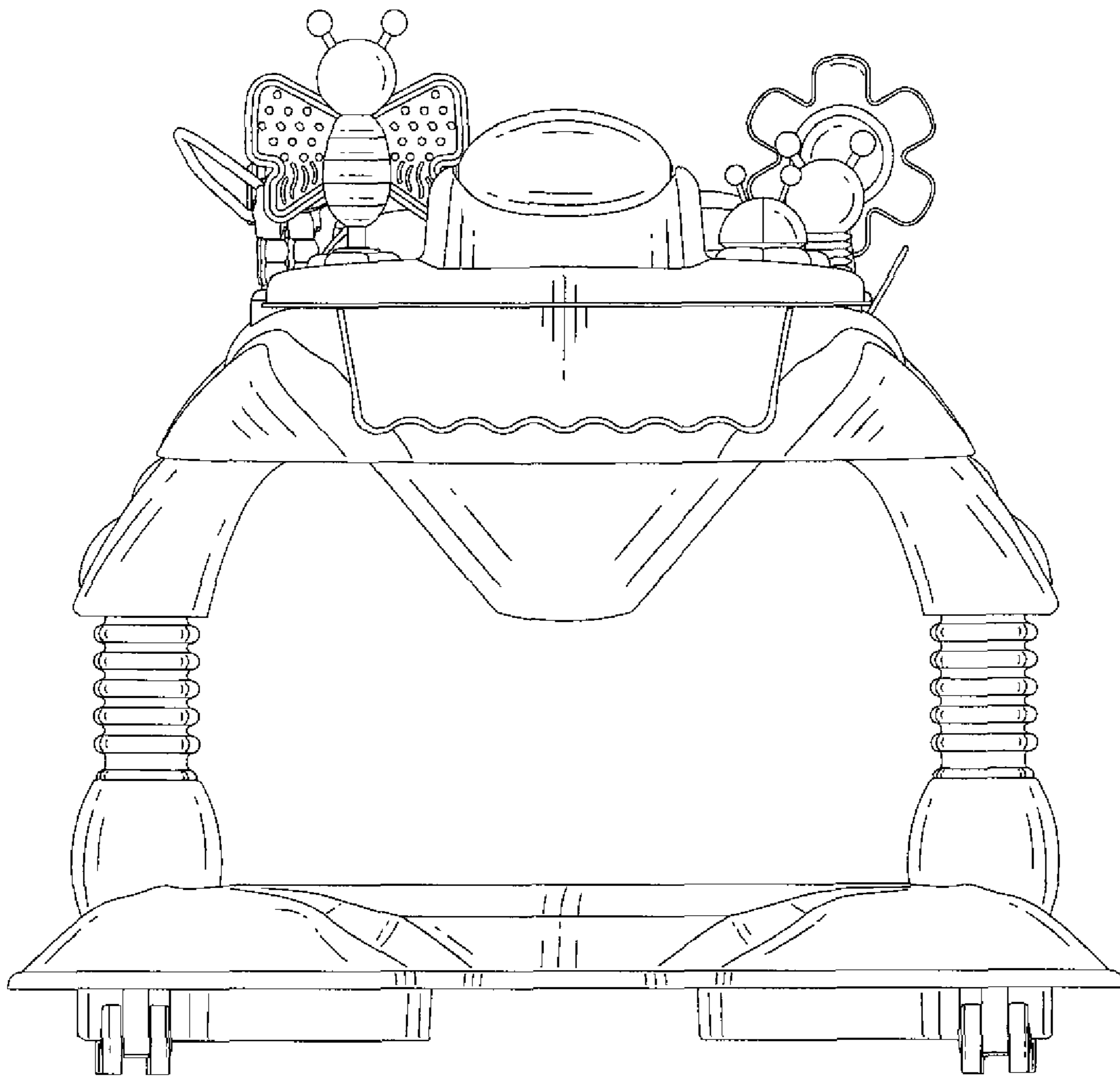


FIG.3

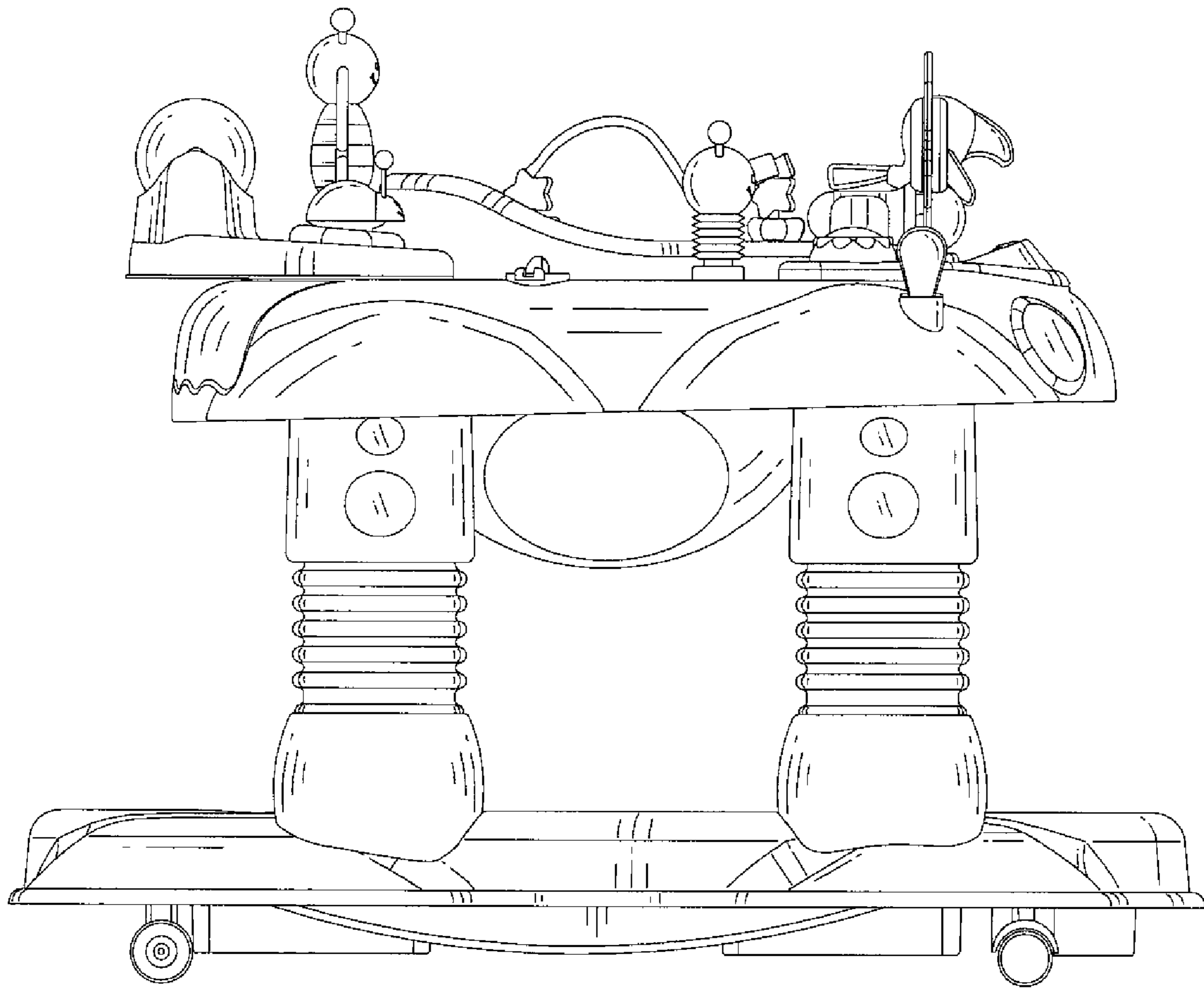


FIG.4

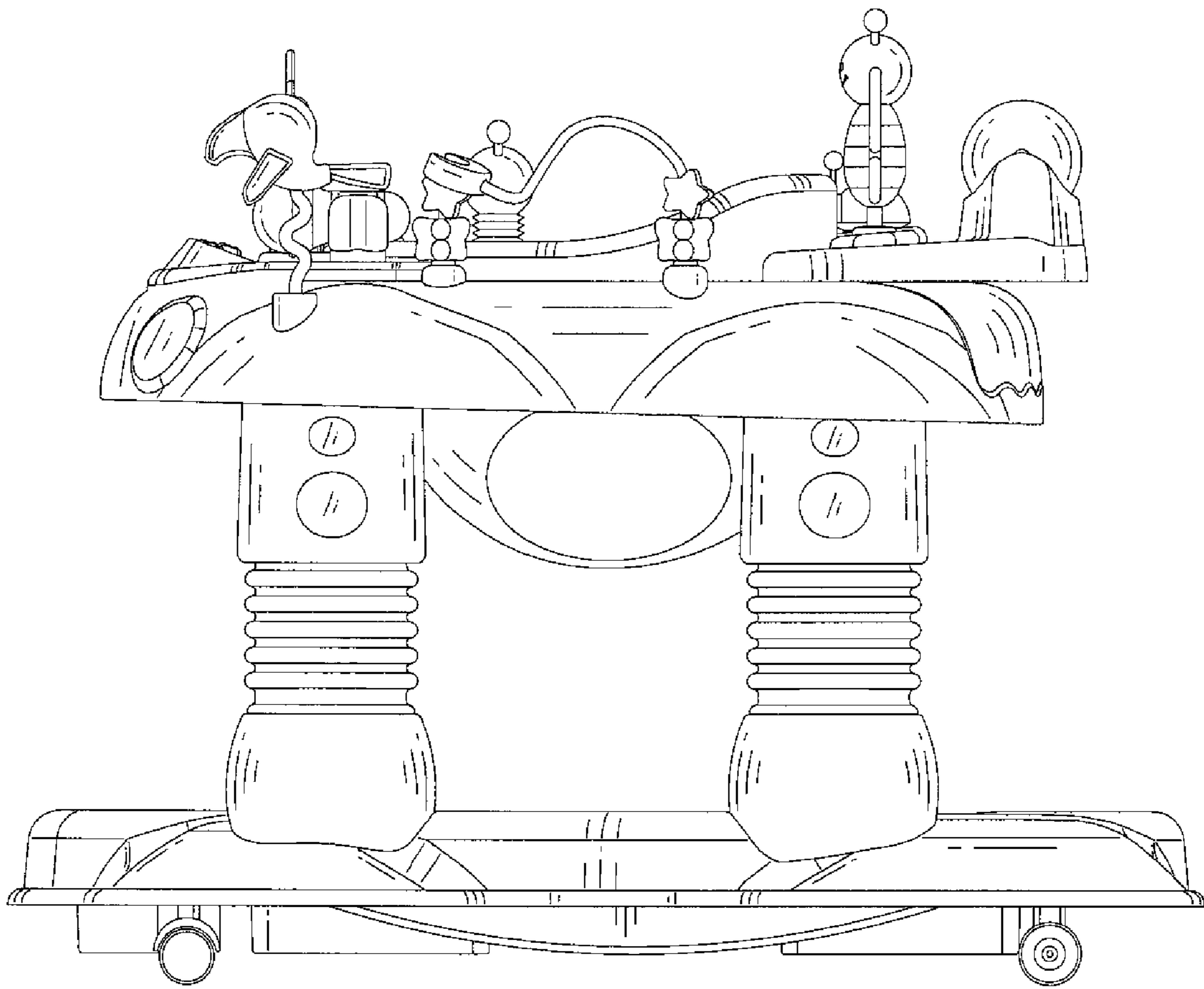


FIG.5

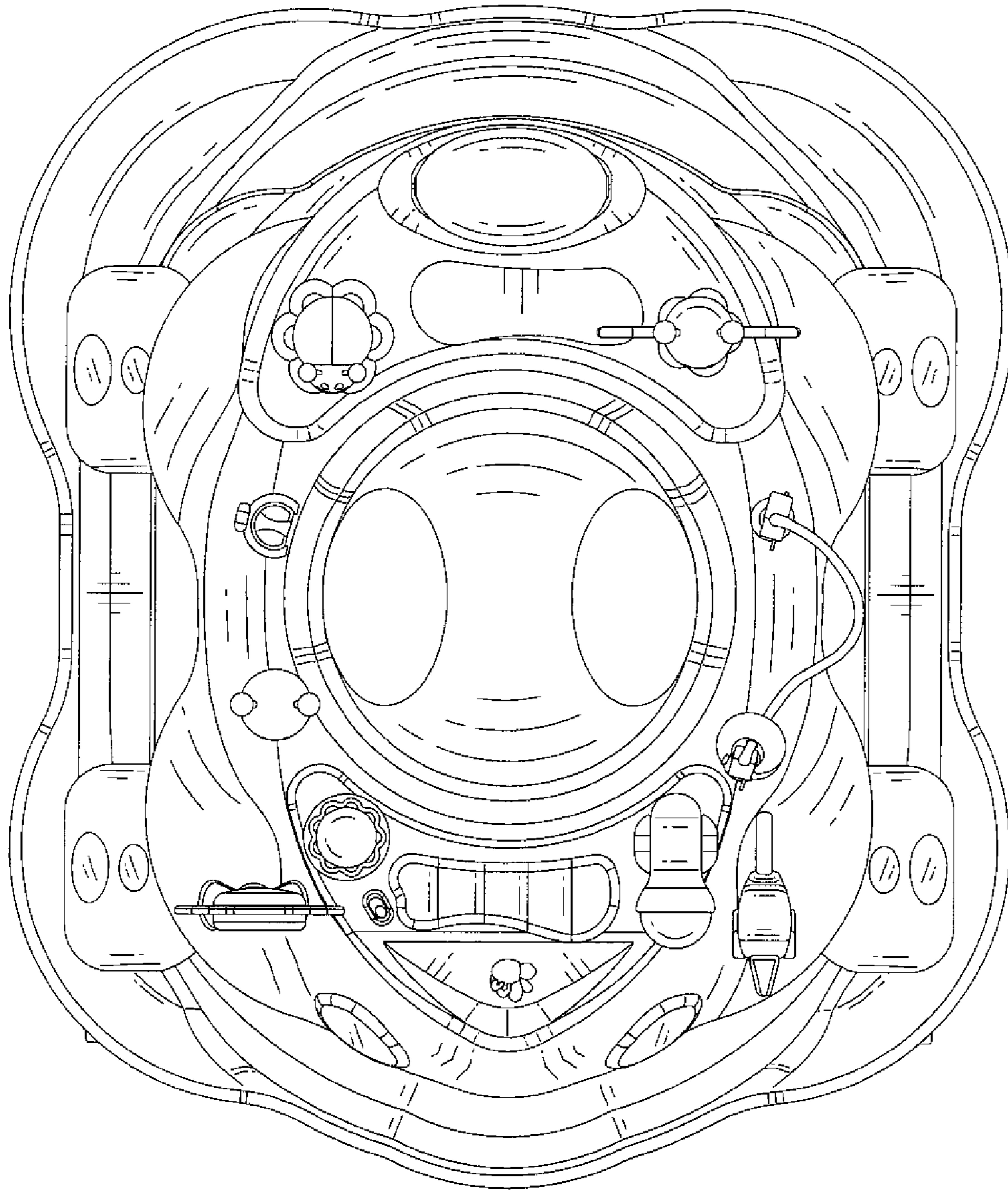


FIG. 6

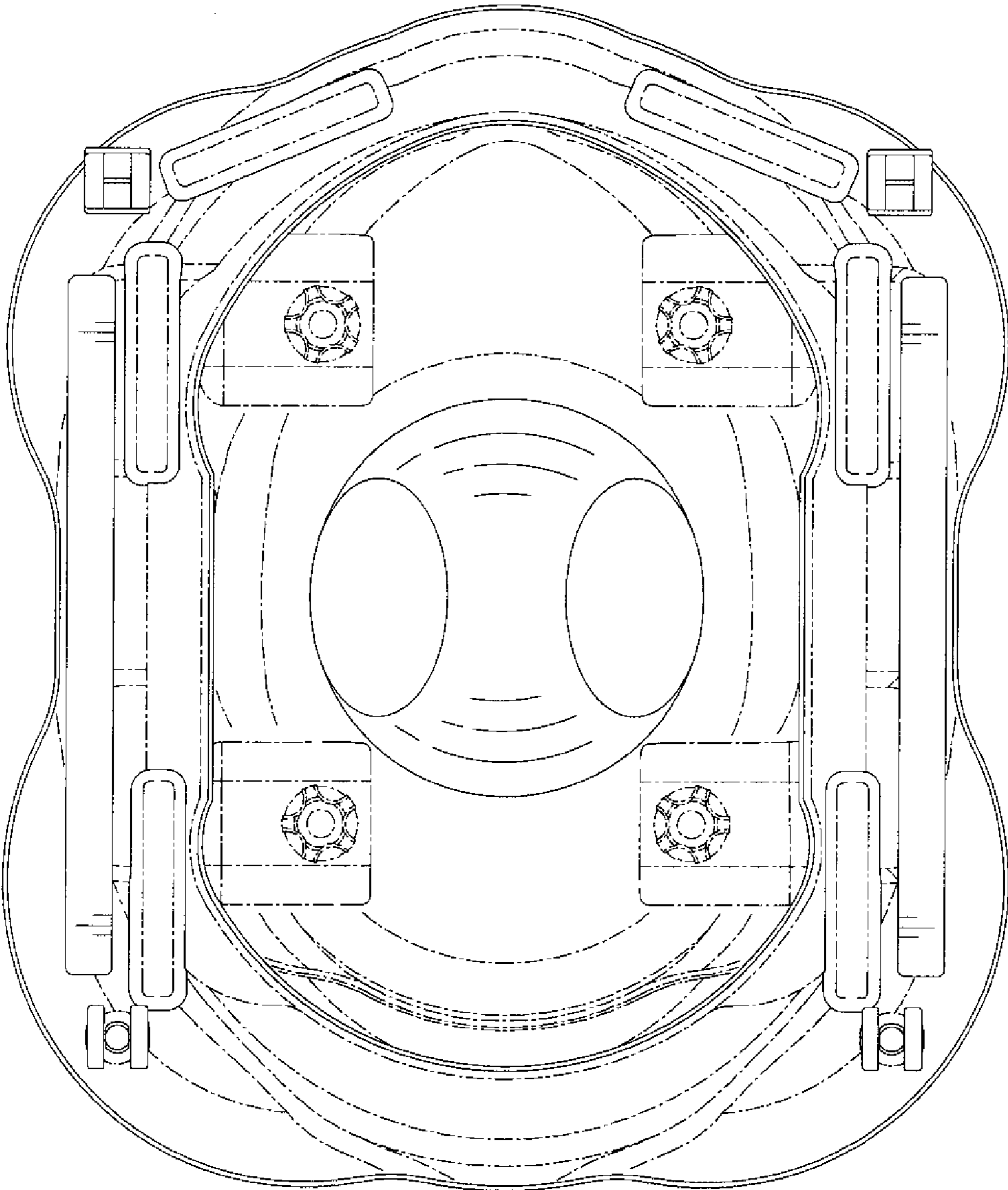


FIG.7