



US00D630251S

(12) **United States Design Patent**  
**Cohen et al.**

(10) **Patent No.:** **US D630,251 S**  
(45) **Date of Patent:** **\*\* Jan. 4, 2011**

(54) **TAPE DISPENSER**

(76) Inventors: **Marty Cohen**, 16742 Valencia Ct.,  
Delray Beach, FL (US) 33484; **Charles**  
**M. Ventre**, 17 Alvah St., Saugus, MA  
(US) 01906

(\*\*) Term: **14 Years**

(21) Appl. No.: **29/361,808**

(22) Filed: **May 14, 2010**

(51) **LOC (9) Cl.** ..... **08-02**

(52) **U.S. Cl.** ..... **D19/69**

(58) **Field of Classification Search** ..... D19/36,  
D19/70, 69, 68, 75; D9/432, 428, 424, 422;  
242/588.6, 588.3, 588.2; 225/77, 6, 56, 69,  
225/26, 25, 19, 11; 206/411; 156/577, 527,  
156/523; D7/629, 615, 612, 538; D30/121;  
D10/119

See application file for complete search history.

(56) **References Cited**

**U.S. PATENT DOCUMENTS**

D144,213 S	3/1946	Preble, Jr.	
2,491,634 A *	12/1949	Allard	70/456 R
D161,072 S	11/1950	White	
D165,656 S	1/1952	Lathrop	
D218,861 S	9/1970	Castelli	
D226,358 S *	2/1973	Macowski et al.	D19/69
D228,412 S	9/1973	Caldwell	
D228,815 S	10/1973	Campbell	
D230,637 S *	3/1974	Clement	D18/99
3,902,956 A	9/1975	Thompson, Jr.	
D280,058 S *	8/1985	Carlson	D7/629
D284,586 S *	7/1986	Runbjork	D19/69
4,676,861 A	6/1987	Bishop	
D296,880 S *	7/1988	Morocco	D10/119
D310,102 S	8/1990	Rittenhouse	
D311,665 S *	10/1990	Carlson	D7/629
D325,399 S	4/1992	Alexander	
D350,876 S *	9/1994	VanValkenburg et al.	D7/612
D355,359 S *	2/1995	Herzog	D9/422
D366,281 S	1/1996	Sakanishi	

D395,204 S \* 6/1998 Wood ..... D7/615  
D396,061 S 7/1998 Thompson  
D407,972 S \* 4/1999 Hilton ..... D9/422

(Continued)

*Primary Examiner*—Cathron Brooks  
*Assistant Examiner*—Austin Murphy  
(74) *Attorney, Agent, or Firm*—QuickPatents, Inc.; Kevin Prince

(57) **CLAIM**

What is claimed is the ornamental design for a tape dispenser, as shown and described.

**DESCRIPTION**

FIG. 1 is a perspective view of a tape dispenser, showing the new design with a lid thereof in an open position;

FIG. 2 is a perspective view thereof, illustrated with the lid in a closed position;

FIG. 3 is a front elevational view thereof;

FIG. 4 is a rear elevational view thereof;

FIG. 5 is a left-side elevational view thereof, the lid illustrated in the closed position, the right-side elevational view being a mirror image thereof;

FIG. 6 is a top plan view thereof, the lid illustrated in the closed position;

FIG. 7 is a bottom plan view thereof, the lid illustrated in the closed position;

FIG. 8 is a perspective view of the container portion of the design shown separately for completeness of illustration.

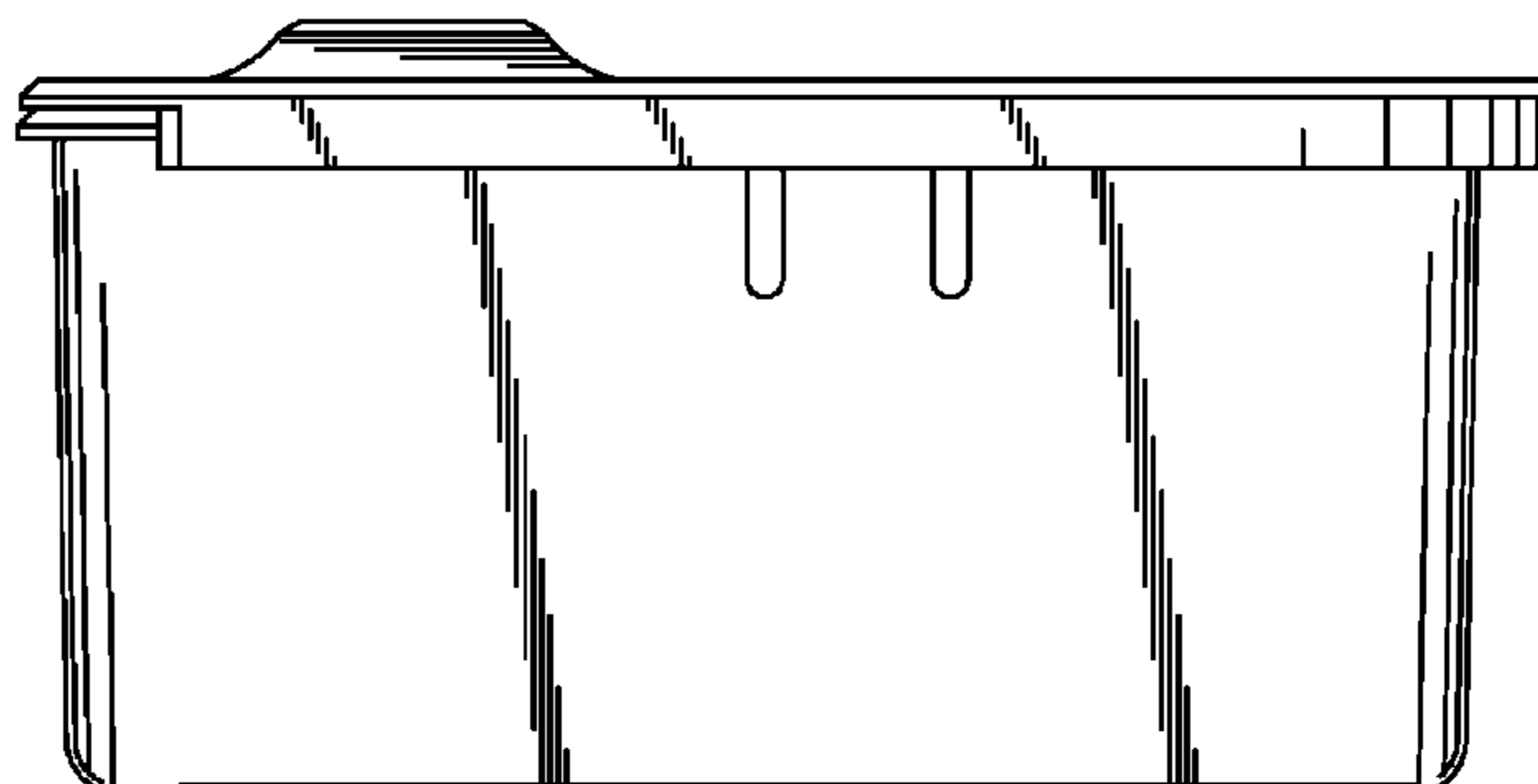
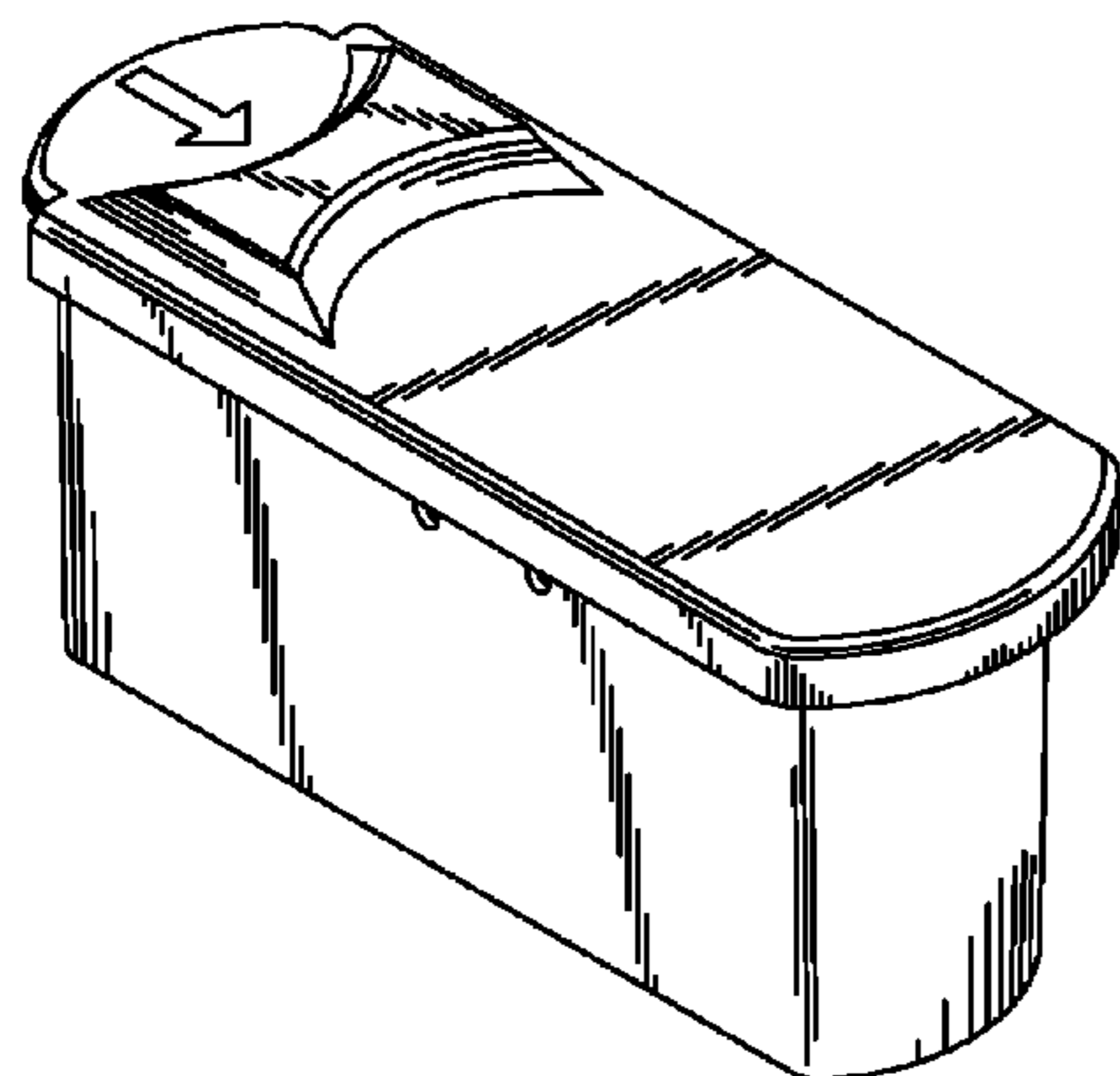
FIG. 9 is a top plan view thereof;

FIG. 10 is a bottom perspective view of the lid portion of the design shown separately for completeness of illustration; and,

FIG. 11 is bottom plan view of the lid thereof.

The broken lines showing a hand and tape in FIG. 1 are included for the purpose of illustrating the invention in use, and form no part of the claimed design.

**1 Claim, 3 Drawing Sheets**



# US D630,251 S

Page 2

---

## U.S. PATENT DOCUMENTS

6,021,896	A	2/2000	Marshall				
D422,636	S	4/2000	Smith				
D457,189	S	5/2002	Chan				
D466,939	S	12/2002	Lee				
D469,320	S *	1/2003	Pettaweebuncha	.....	D7/629		
D473,140	S *	4/2003	Gilliam et al.	.....	D9/428		
D476,229	S *	6/2003	Skillings	.....	D9/432		
D485,303	S *	1/2004	Chen	.....	D19/69		
6,889,866	B2 *	5/2005	Gilliam et al.	.....	220/675		
D507,968	S *	8/2005	Dixon et al.	.....	D9/422		
D510,859	S *	10/2005	Dixon et al.	.....	D9/424		
D520,063	S *	5/2006	Scimone	.....	D19/75		
D531,224	S *	10/2006	Gullicks et al.	.....	D19/69		
D540,123	S *	4/2007	George et al.	.....	D7/602		
D565,252	S *	3/2008	Fick	.....	D30/121		
D603,565	S *	11/2009	Fick	.....	D30/121		
D617,149	S *	6/2010	Olivari	.....	D7/538		

\* cited by examiner

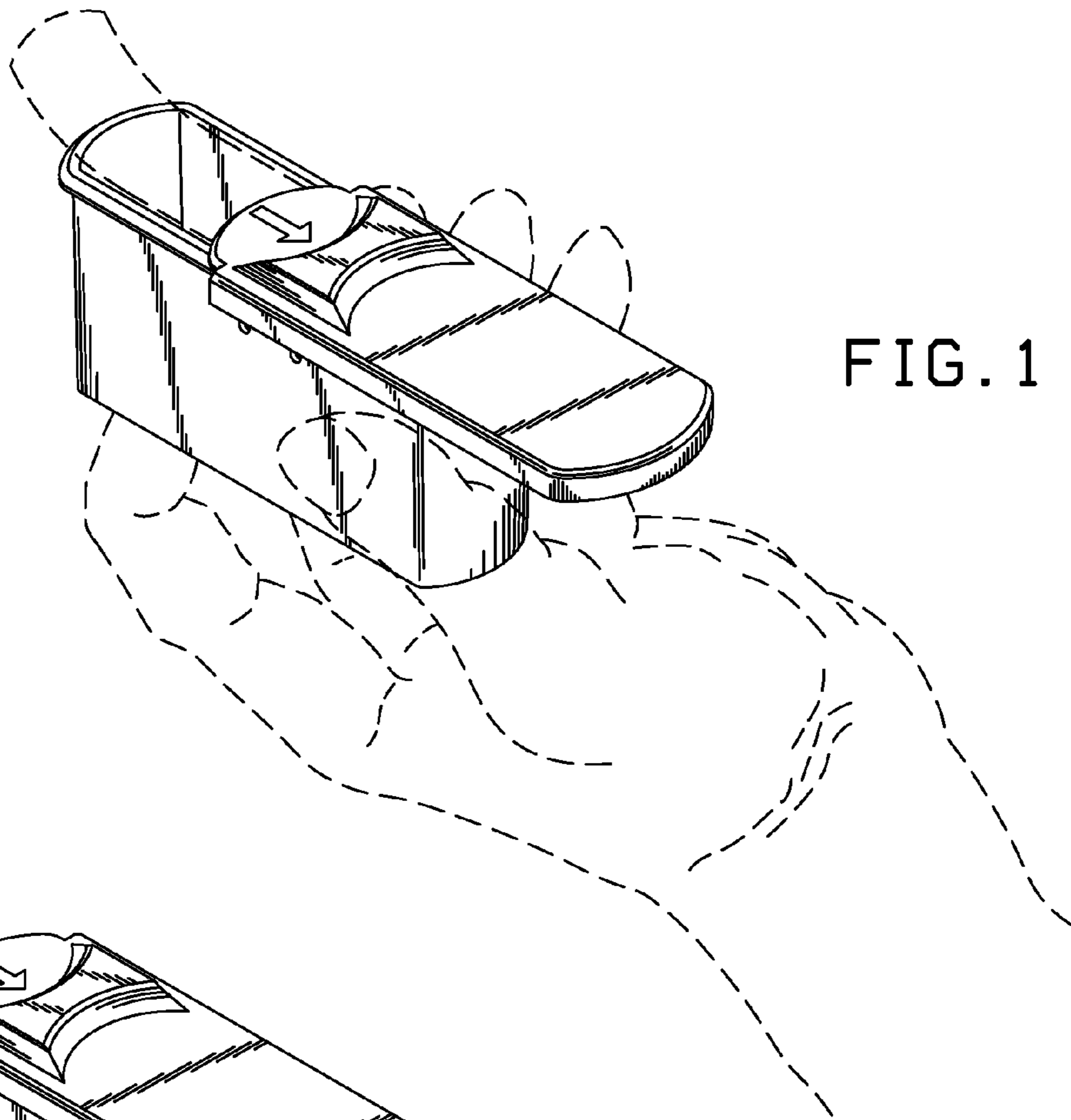


FIG. 1

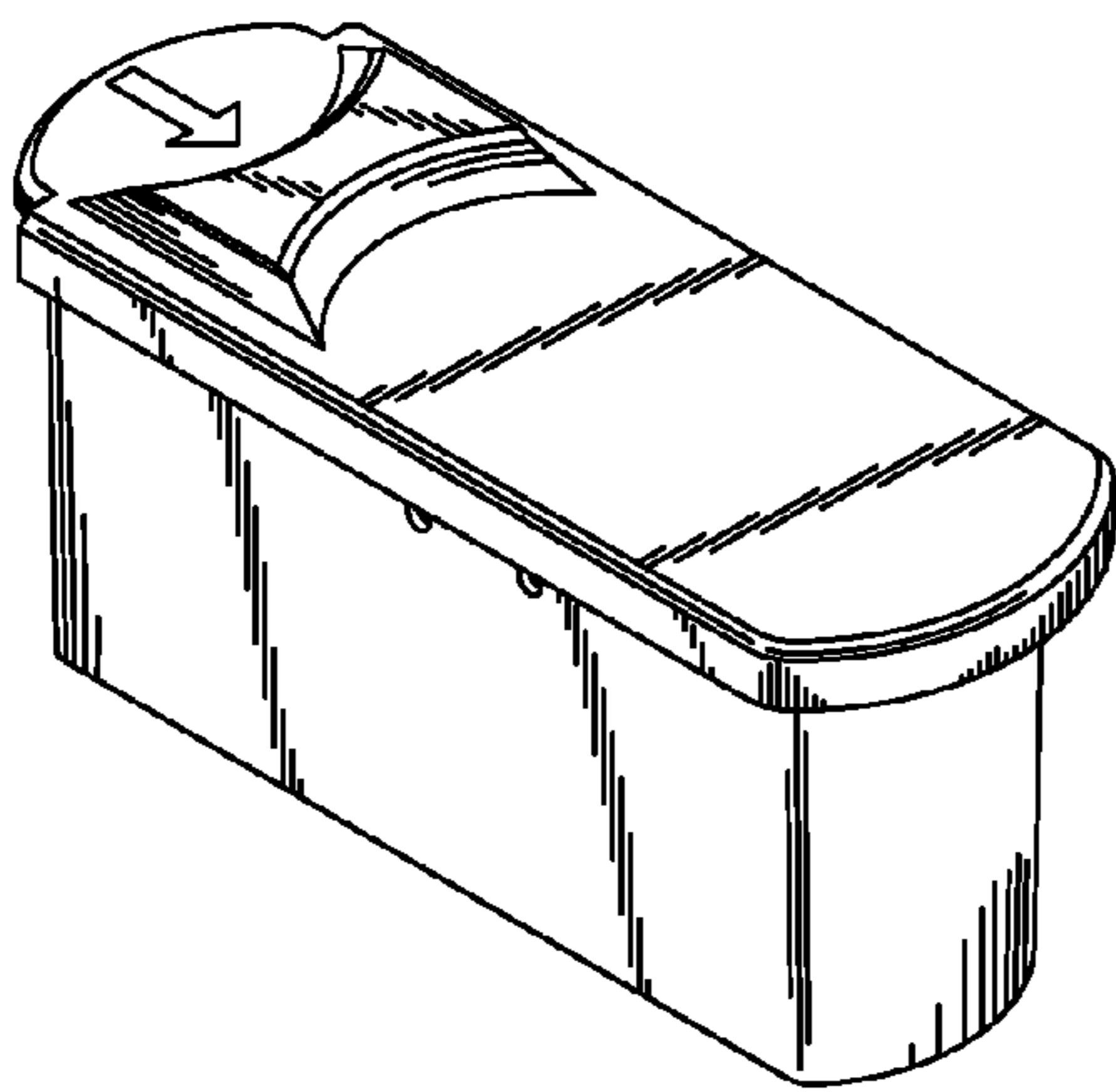


FIG. 2

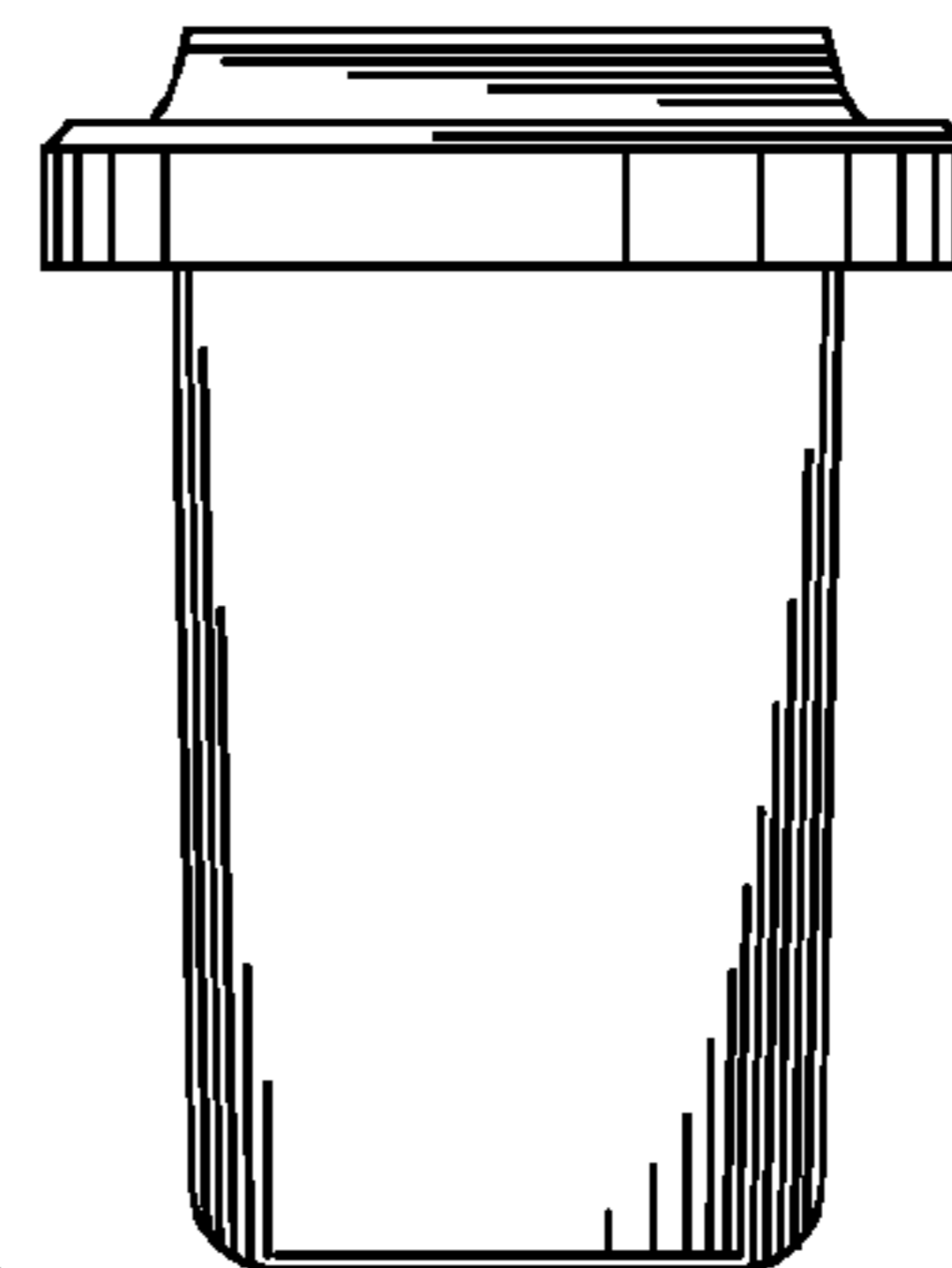


FIG. 3

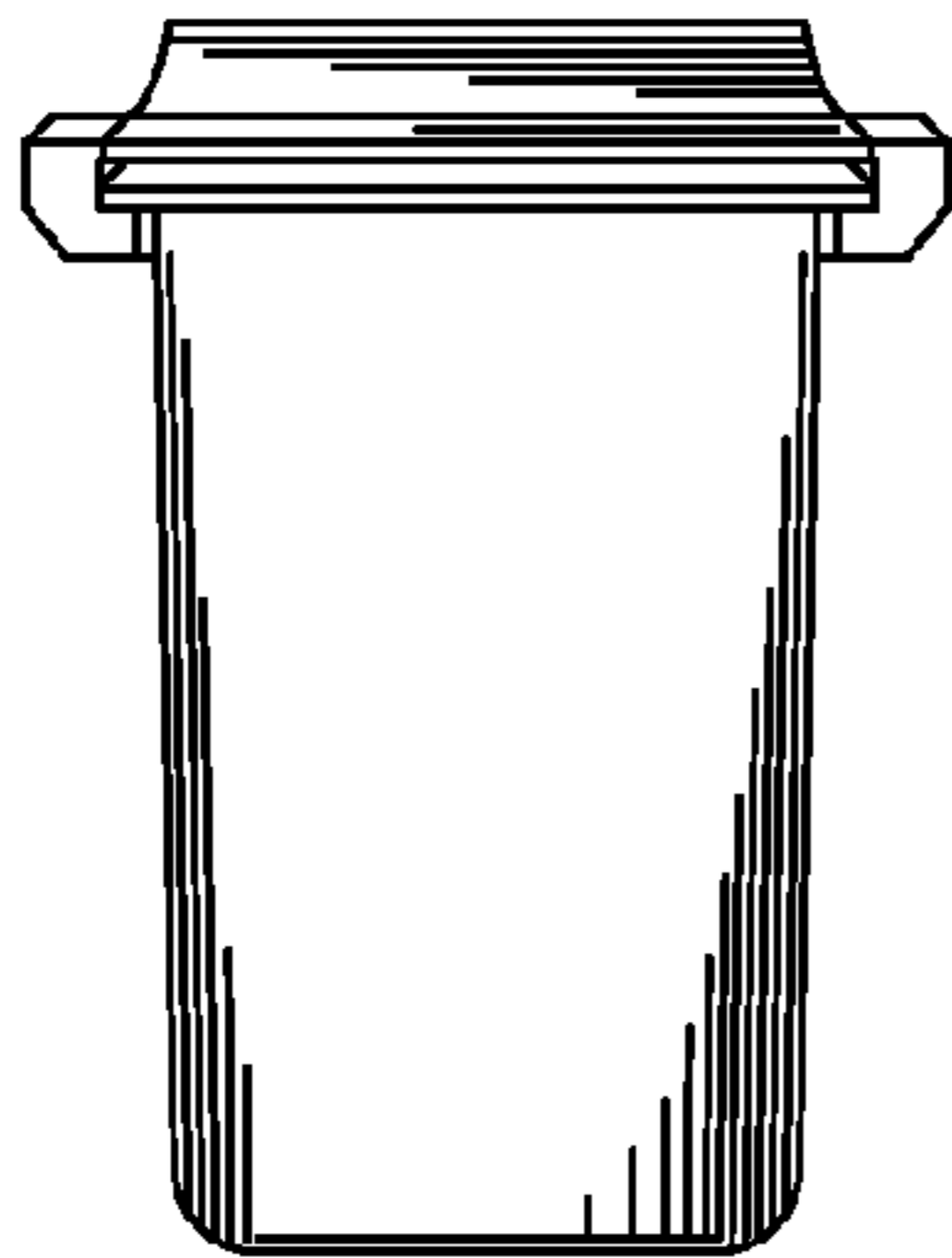


FIG. 4

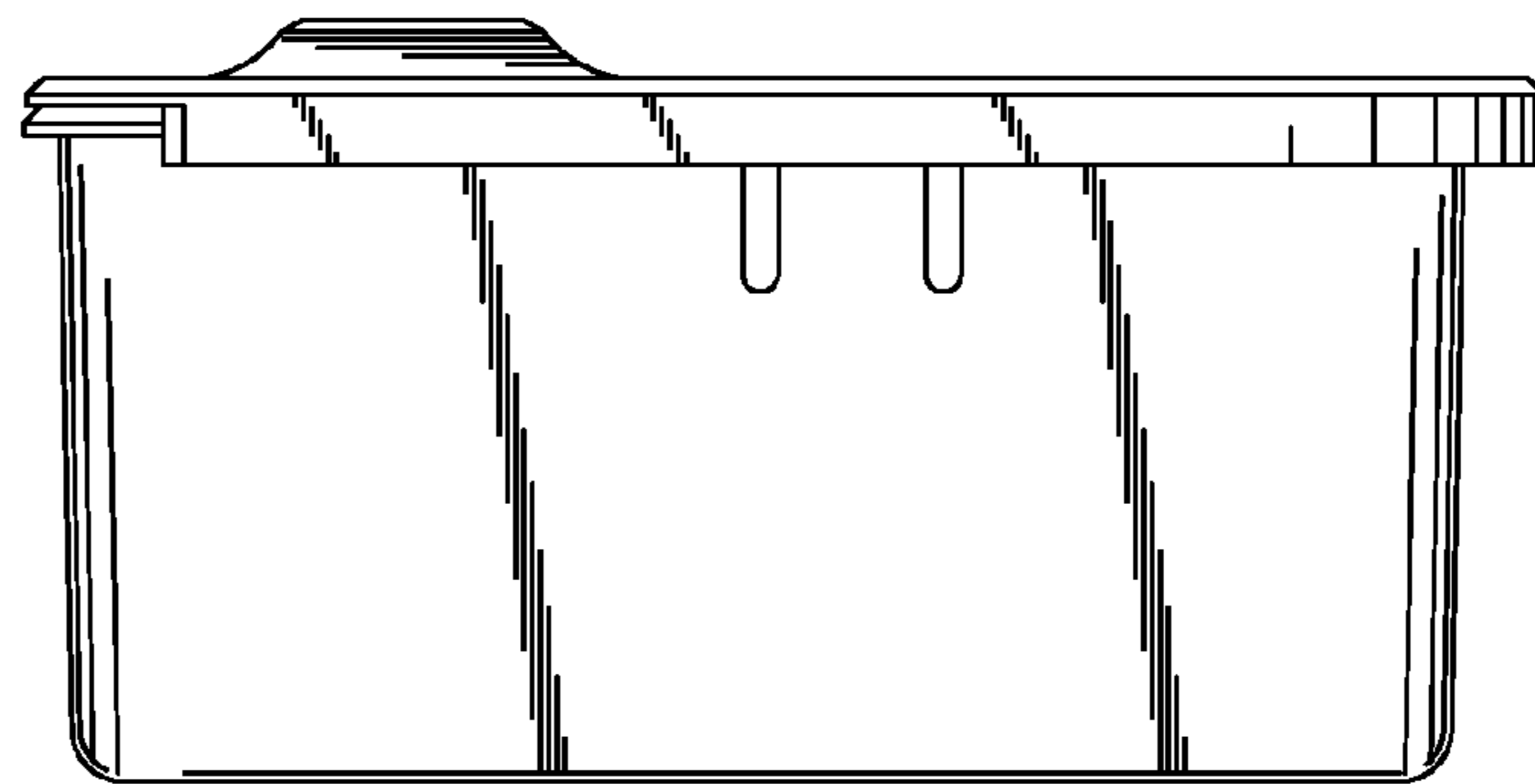


FIG. 5

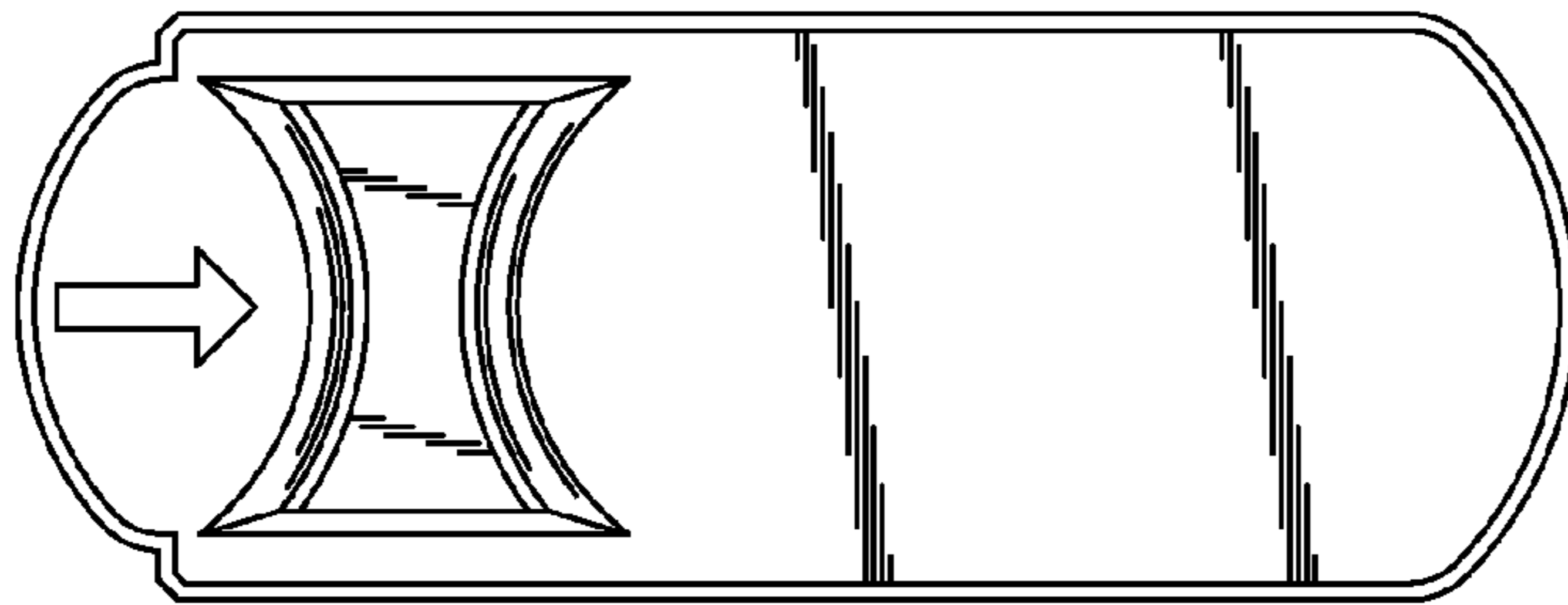


FIG. 6

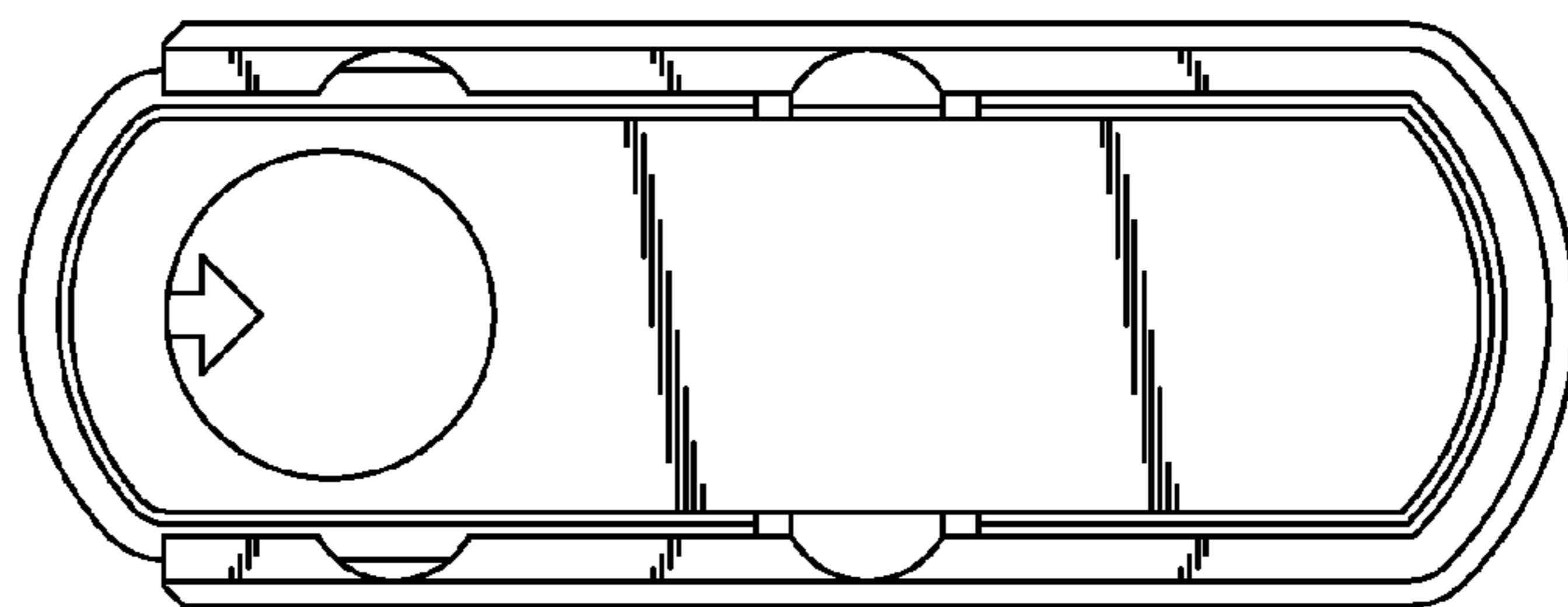


FIG. 7

FIG. 8

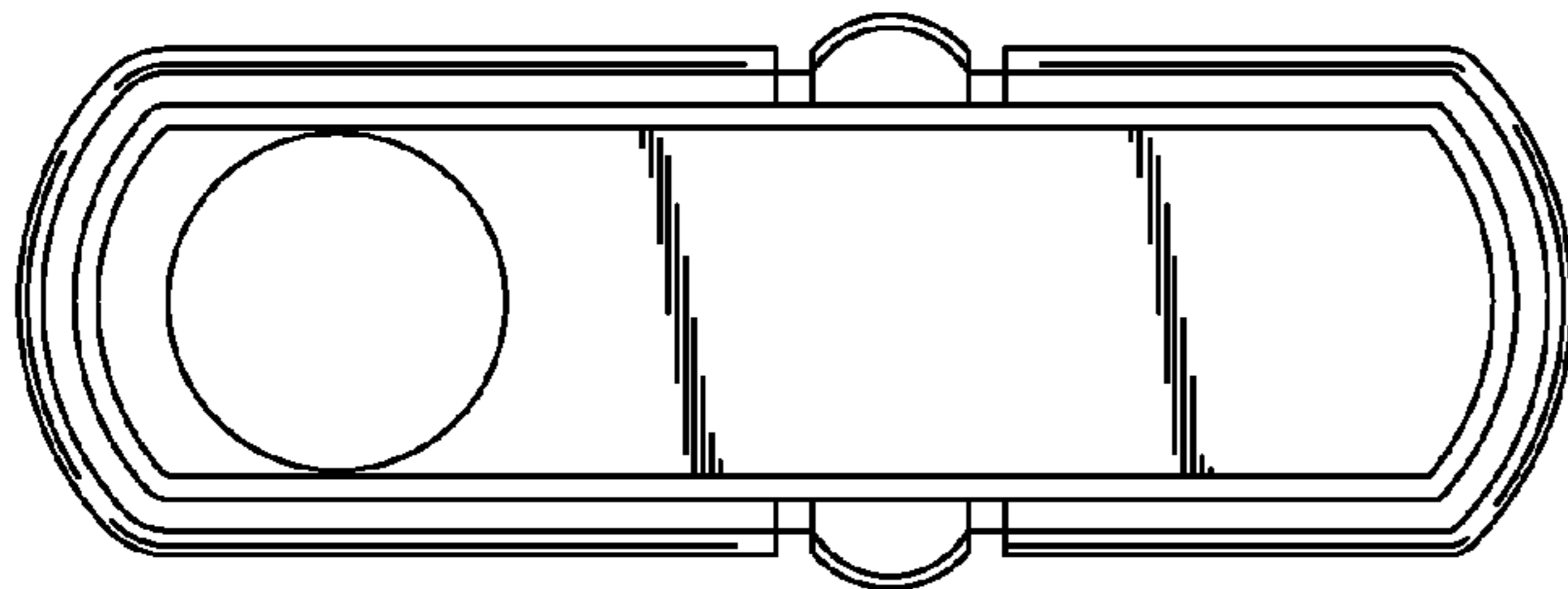
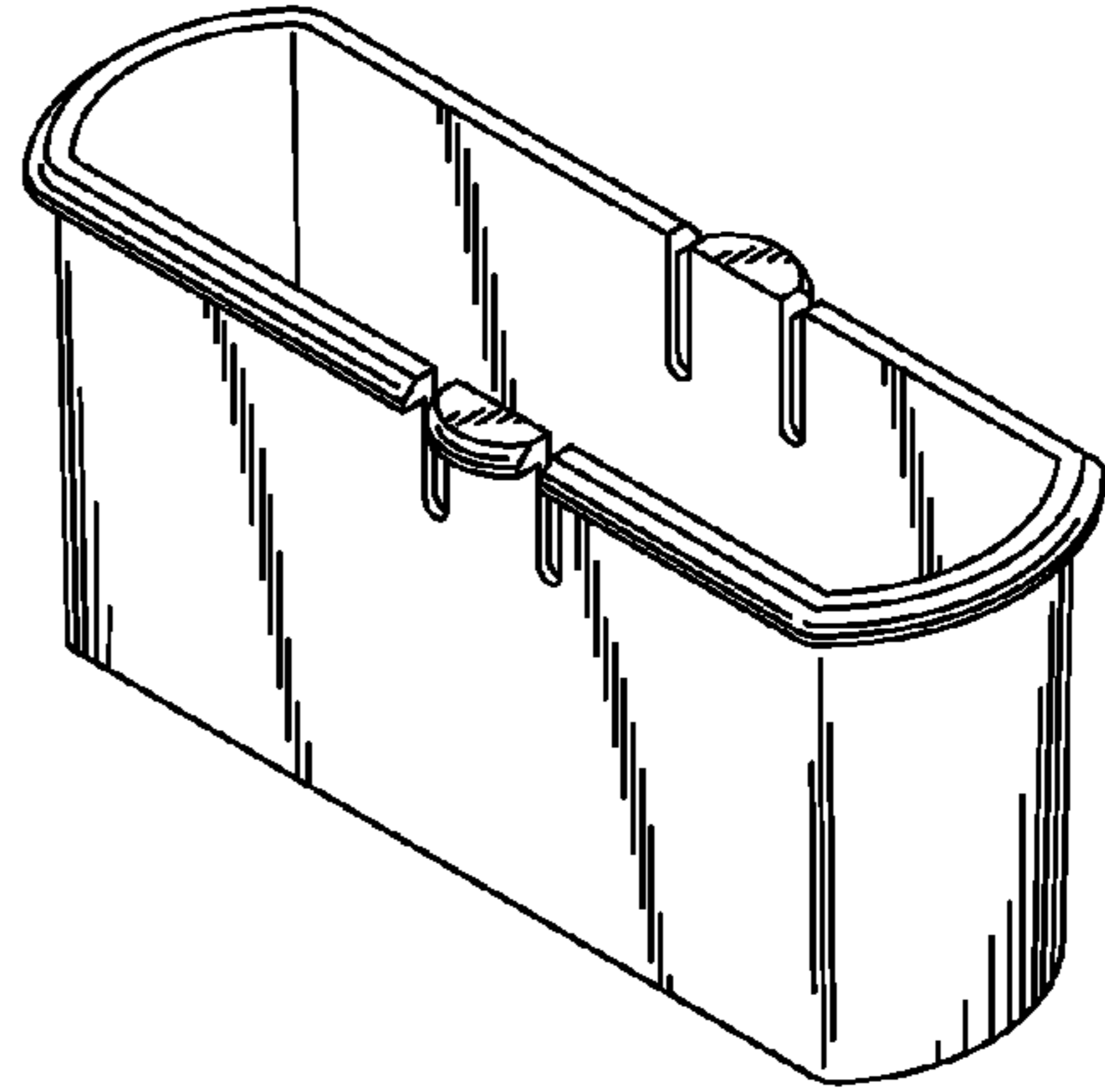


FIG. 9

FIG. 10

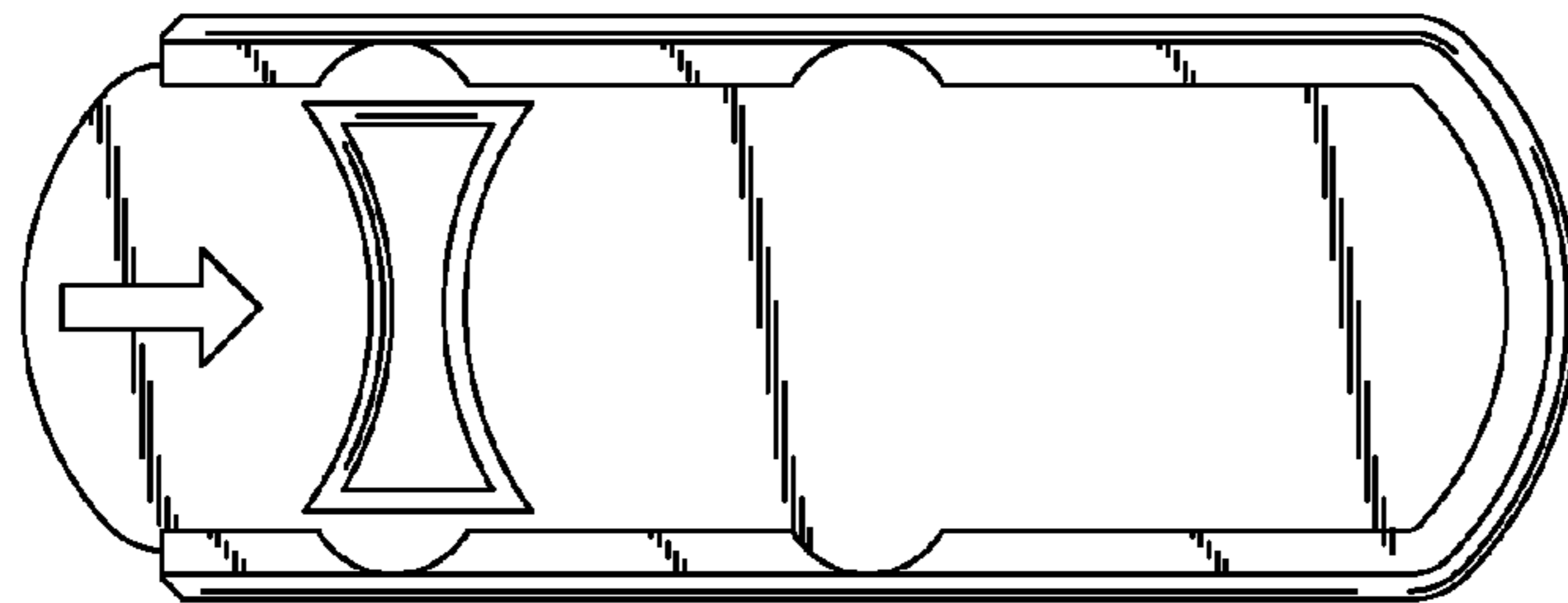
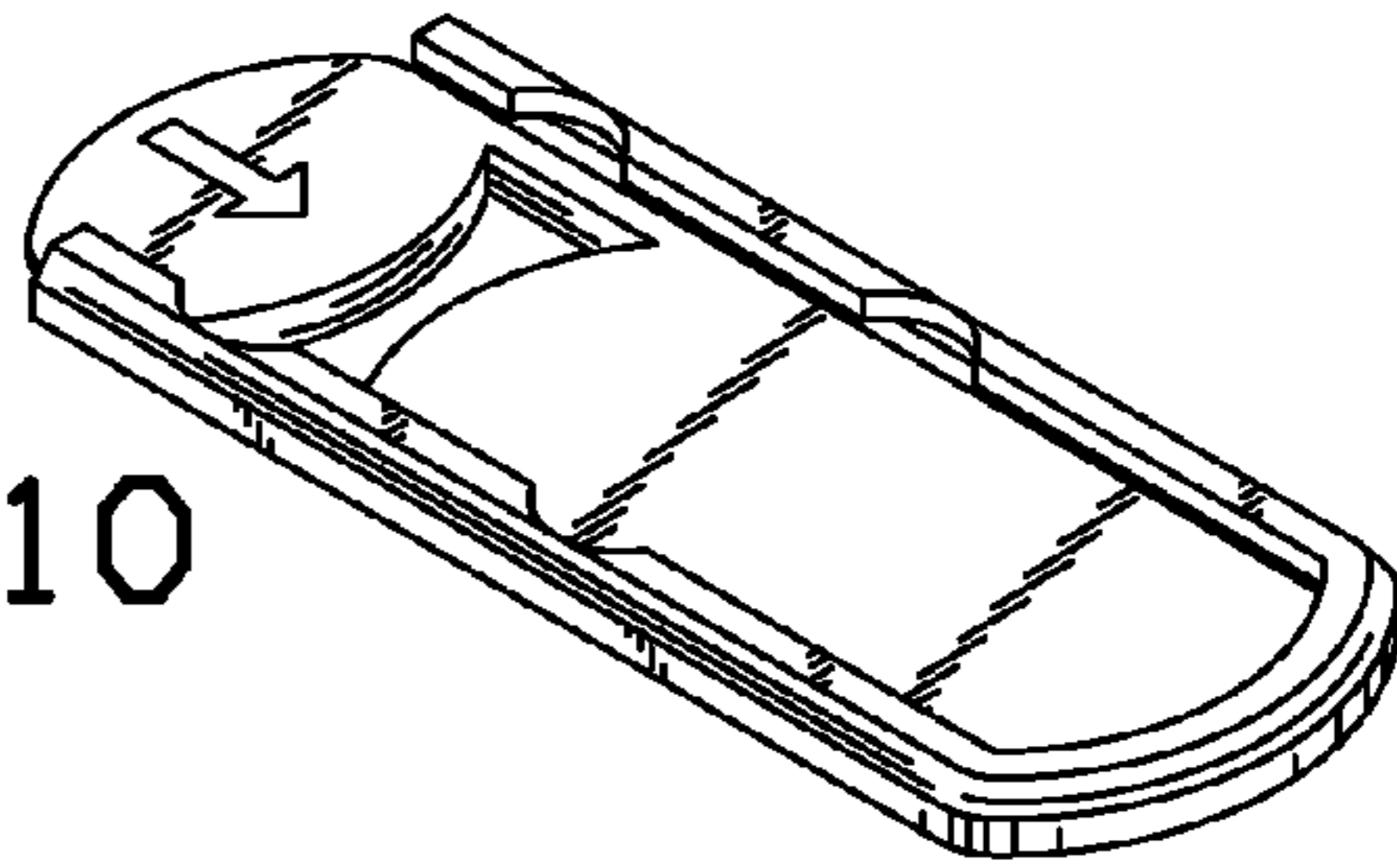


FIG. 11