



US00D630249S

(12) **United States Design Patent**  
**Nabetani et al.**

(10) **Patent No.:** **US D630,249 S**  
(45) **Date of Patent:** **\*\* Jan. 4, 2011**

(54) **STICKER FOR AFFIXING PUNCHED HOLE REINFORCING PIECES**

(75) Inventors: **Hitomi Nabetani**, Osaka (JP); **Kosuke Kato**, Osaka (JP); **Akinori Okitsu**, Osaka (JP)

(73) Assignee: **Kokuyo Co., Ltd.**, Osaka (JP)

(\*\*) Term: **14 Years**

(21) Appl. No.: **29/330,074**

(22) Filed: **Dec. 29, 2008**

(30) **Foreign Application Priority Data**

Jun. 30, 2008 (JP) ..... 2008-016876

(51) **LOC (9) Cl.** ..... **19-02**

(52) **U.S. Cl.** ..... **D19/66**

(58) **Field of Classification Search** ..... D19/66,  
D19/43, 57; D9/453, 503, 452, 447, 444,  
D9/724; D8/307; 401/69; 220/905; 215/252,  
215/228; 222/546; D28/7

See application file for complete search history.

(56) **References Cited**

**U.S. PATENT DOCUMENTS**

6,327,985 B1 \* 12/2001 Frenkler et al. .... 108/147.19  
6,857,657 B2 \* 2/2005 Canterbury et al. .... 280/737

D575,344 S \* 8/2008 Kobayashi et al. .... D19/66  
D575,345 S \* 8/2008 Kobayashi et al. .... D19/66  
2007/0031073 A1 \* 2/2007 Kato et al. .... 384/99  
2007/0221671 A1 \* 9/2007 Kobayashi et al. .... 220/8  
2009/0065231 A1 \* 3/2009 Lu ..... 173/211

\* cited by examiner

*Primary Examiner*—Austin Murphy

(74) *Attorney, Agent, or Firm*—Dennis R. Haszko

(57) **CLAIM**

The ornamental design for a sticker for affixing punched hole reinforcing pieces, as shown and described.

**DESCRIPTION**

FIG. 1 is a perspective view of the sticker for affixing punched hole reinforcing pieces showing the design;

FIG. 2 is a rear view thereof;

FIG. 3 is a plan view thereof;

FIG. 4 is a right side view thereof;

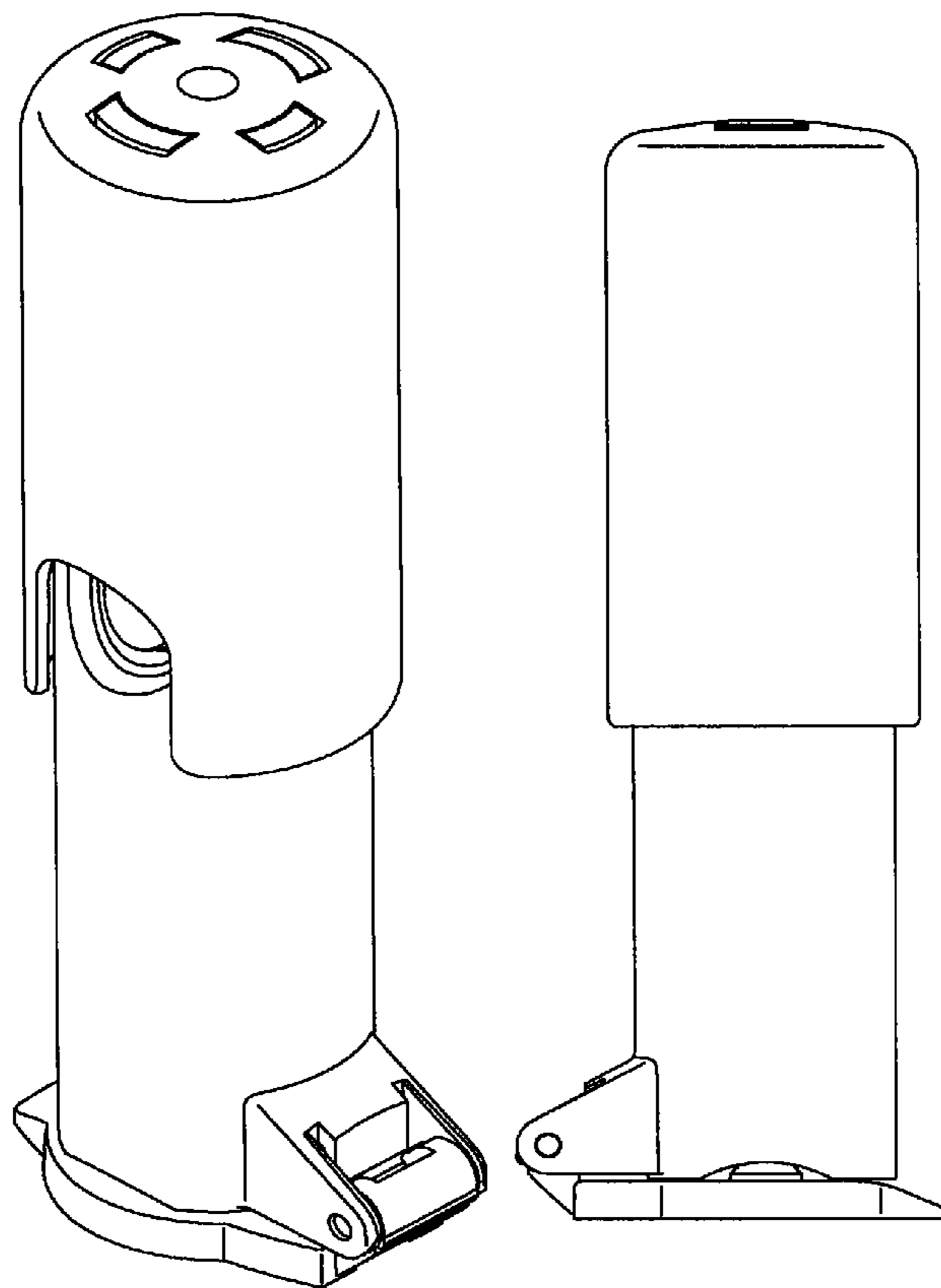
FIG. 5 is a left side view thereof;

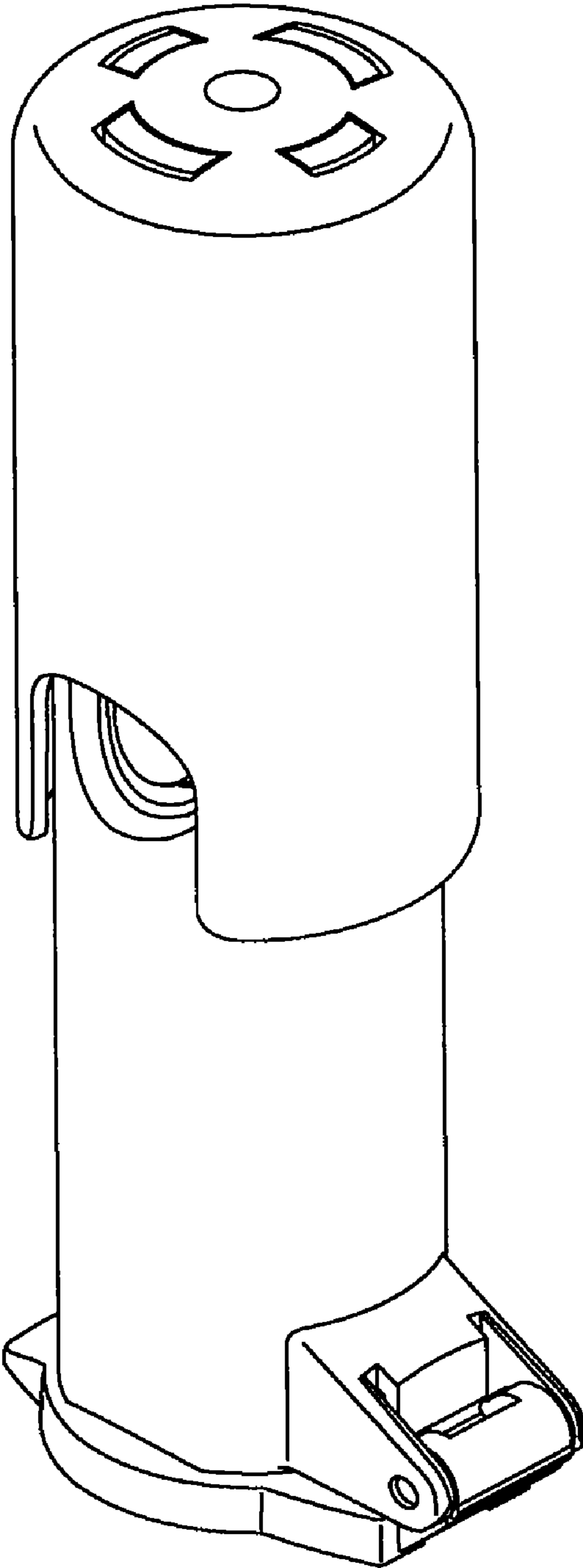
FIG. 6 is a front view thereof showing the lid in open position;

FIG. 7 is left side view thereof showing the lid in open position; and,

FIG. 8 is a front view thereof.

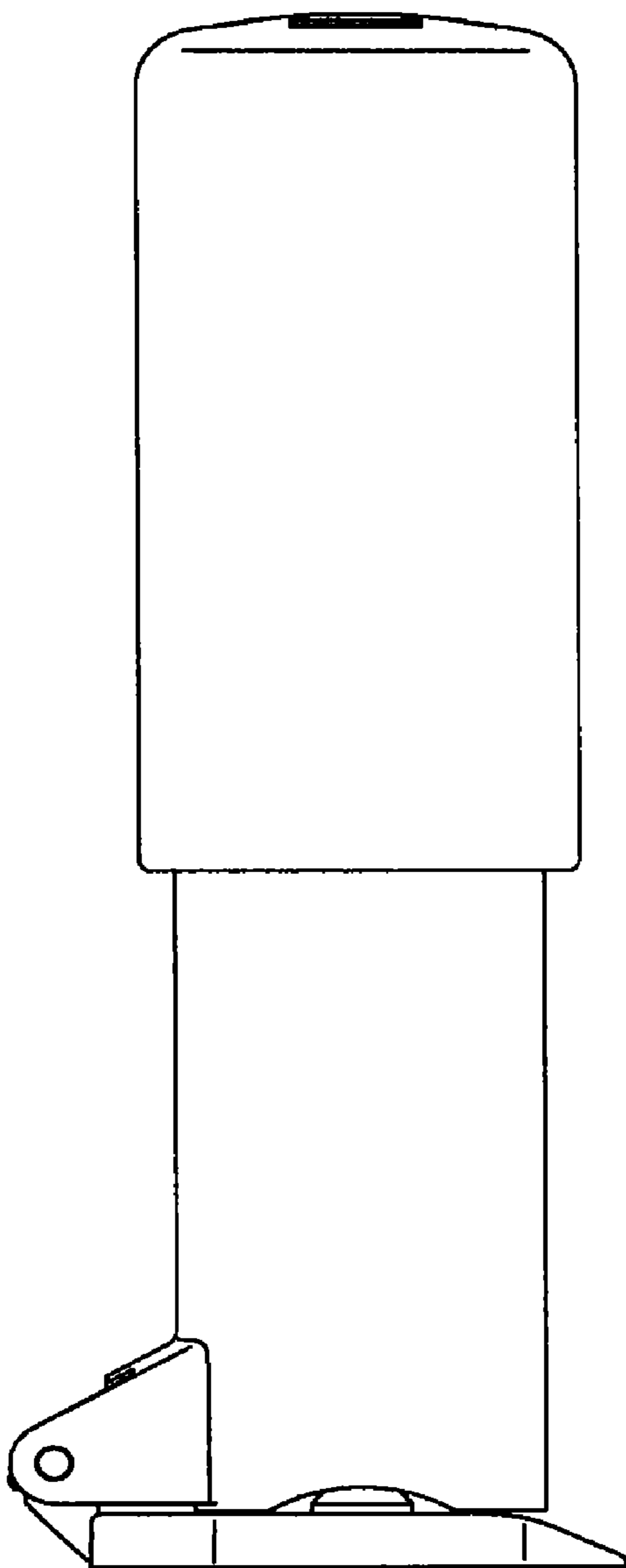
**1 Claim, 5 Drawing Sheets**



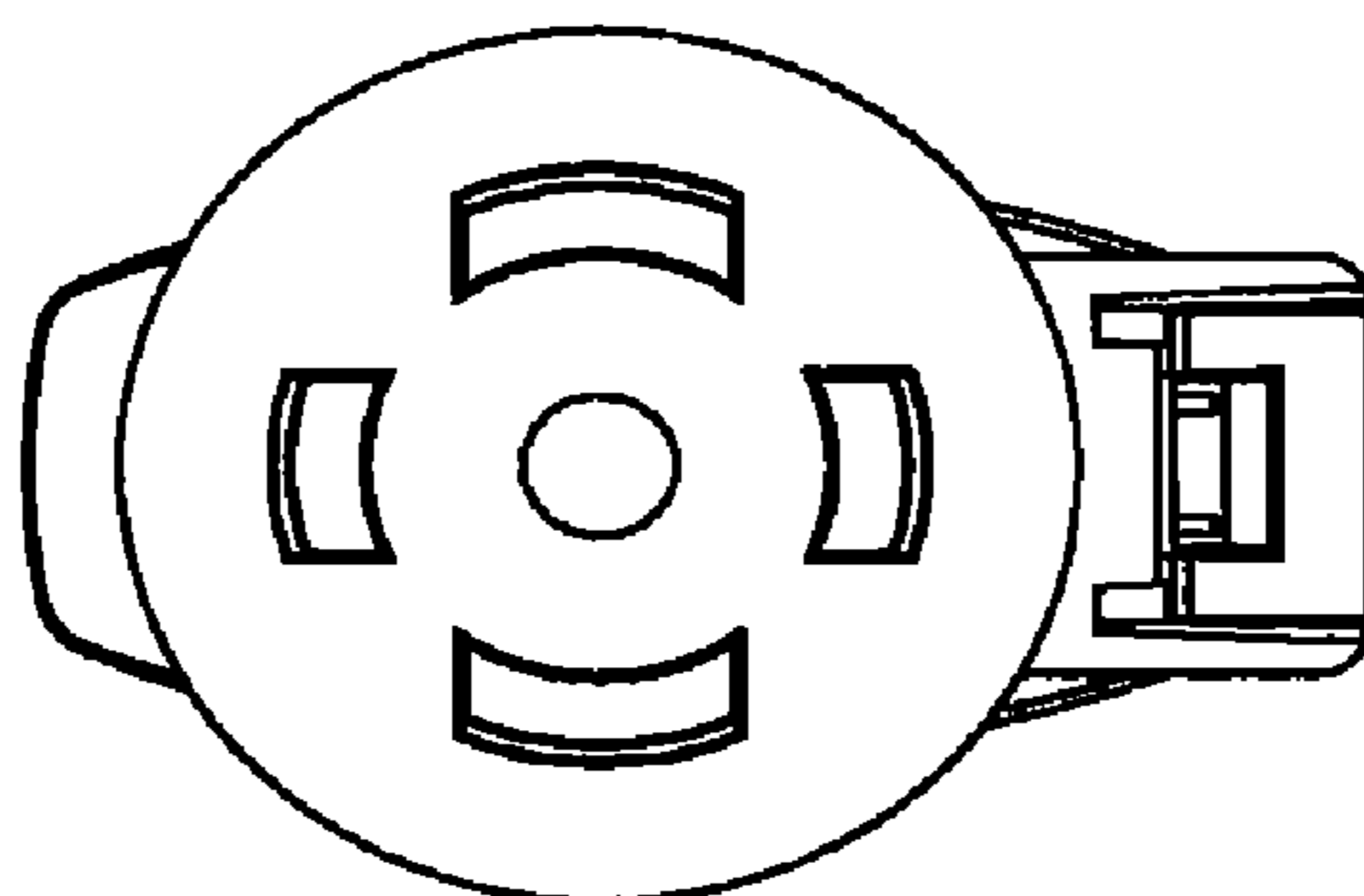


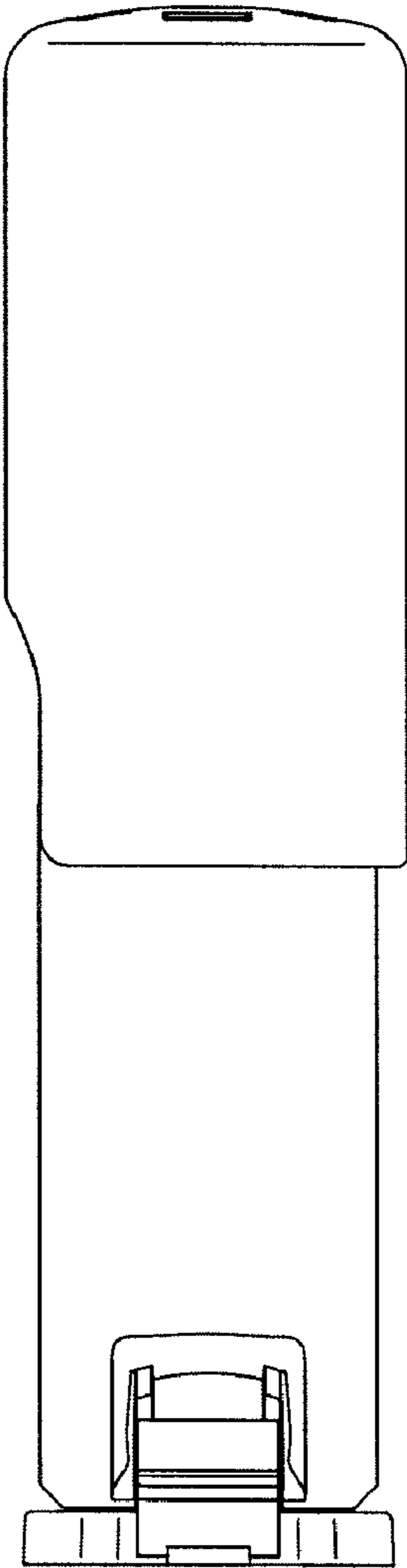
**FIG. 1**

**FIG. 2**

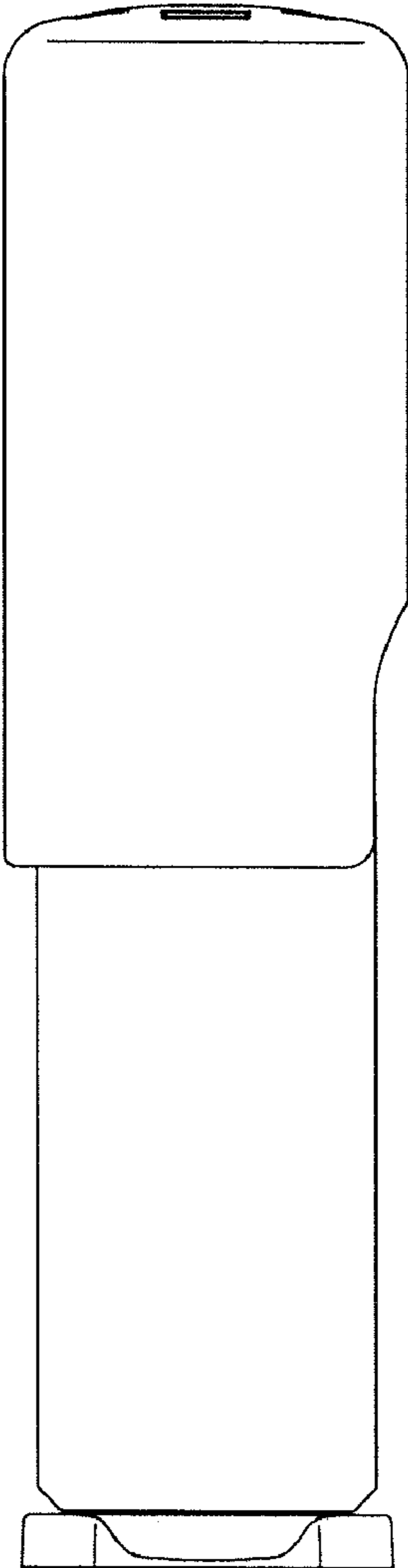


**FIG. 3**

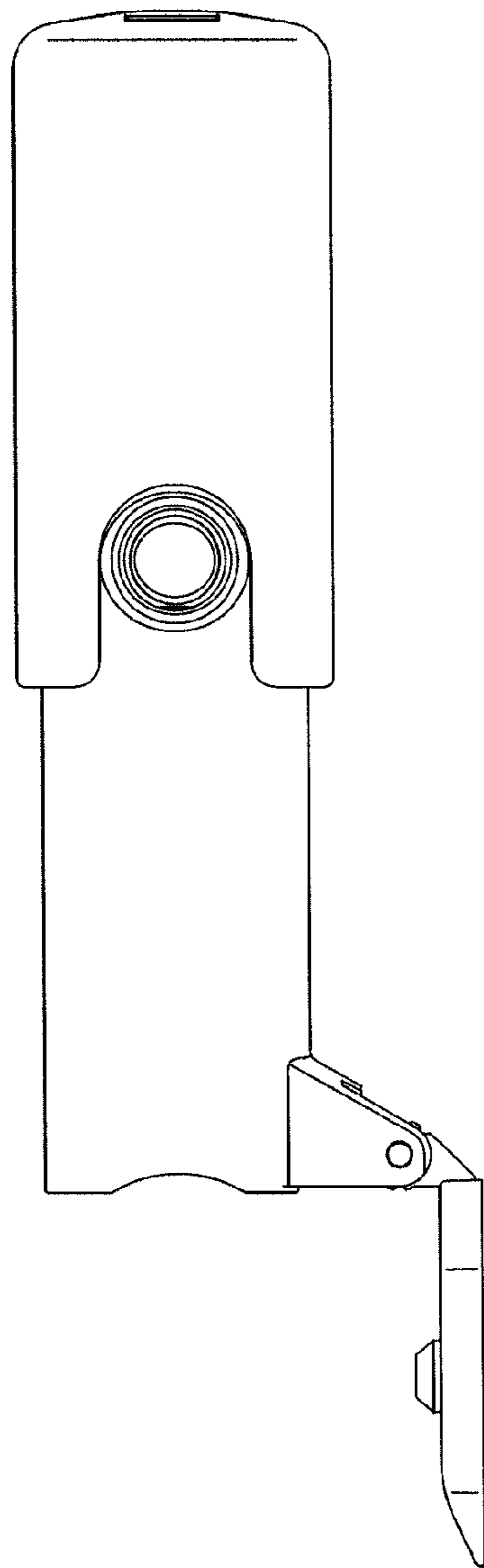




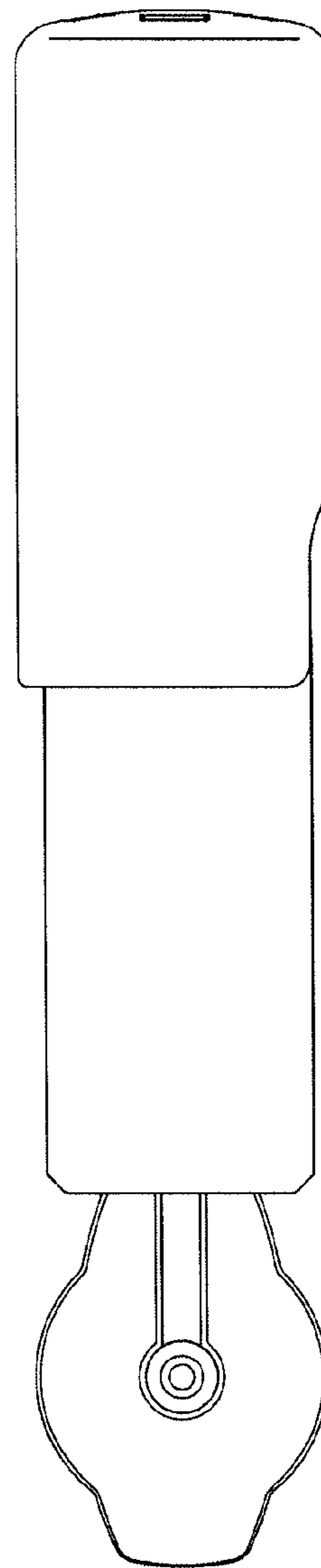
**FIG. 4**



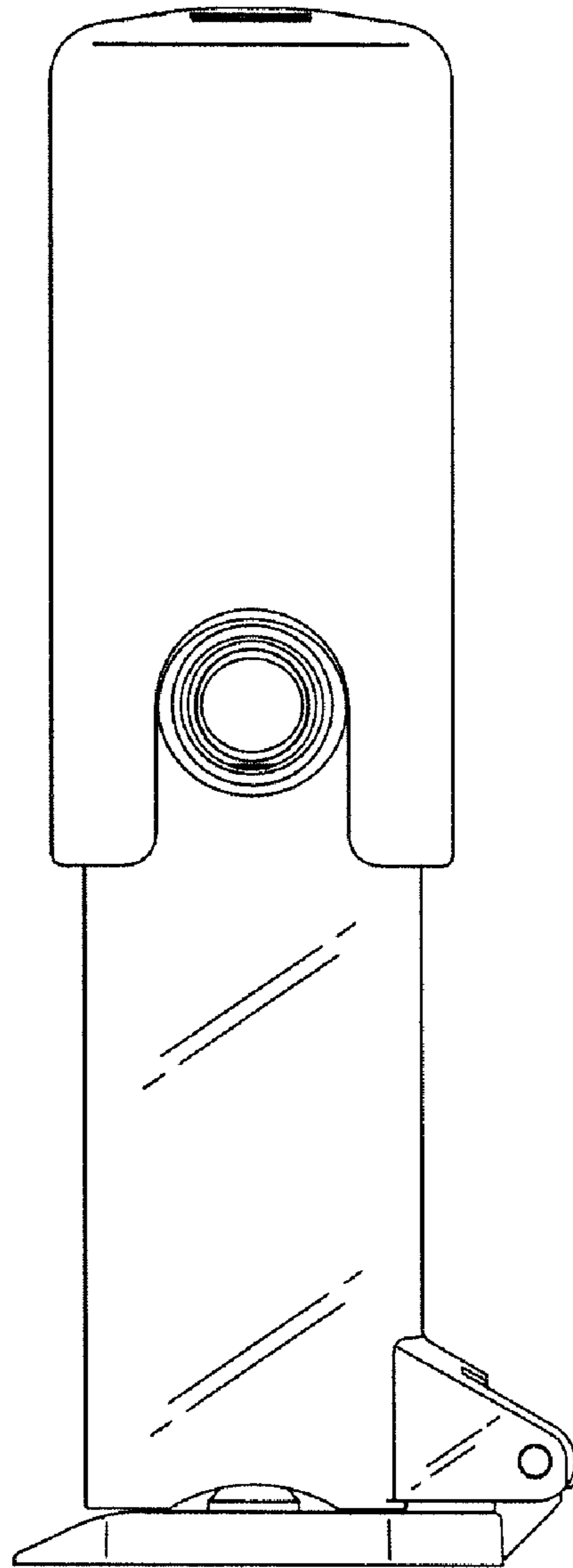
**FIG. 5**



**FIG. 6**



**FIG. 7**



**FIG. 8**