



US00D630245S

(12) **United States Design Patent**
Terenzio et al.

(10) **Patent No.:** **US D630,245 S**

(45) **Date of Patent:** **** Jan. 4, 2011**

(54) **PRINTER OUTPUT ACCESSORY**

(75) Inventors: **Dennis M. Terenzio**, Boise, ID (US);
Michael V. Leman, Eagle, ID (US)

(73) Assignee: **Hewlett-Packard Development Company, L.P.**, Houston, TX (US)

(**) Term: **14 Years**

(21) Appl. No.: **29/331,544**

(22) Filed: **Jan. 27, 2009**

(51) **LOC (9) Cl.** **18-99**

(52) **U.S. Cl.** **D18/48**

(58) **Field of Classification Search** D18/36-41,
D18/44-56; 222/DIG. 1; 271/3.14, 8.1,
271/226, 278; 355/97, 98; 358/1.1; 399/1-7,
399/16, 75, 81, 107, 130, 155, 361, 365,
399/381-383, 388

See application file for complete search history.

(56) **References Cited**

U.S. PATENT DOCUMENTS

- D286,409 S * 10/1986 Kosako et al. D18/48
- D310,843 S * 9/1990 Kosako et al. D18/48
- D373,789 S * 9/1996 Narushima D18/48
- D379,635 S * 6/1997 Shibata et al. D18/48

- D396,879 S * 8/1998 Senshiki et al. D18/48
- D418,863 S * 1/2000 Matsumoto D18/48
- D435,587 S * 12/2000 Suzuki et al. D18/48
- D439,606 S * 3/2001 Suzuki et al. D18/49

* cited by examiner

Primary Examiner—Garth Rademaker

(57) **CLAIM**

We claim the ornamental design for a printer output accessory, as shown and described.

DESCRIPTION

FIG. 1 is a front perspective view of a printer output accessory;

FIG. 2 is a front view thereof;

FIG. 3 is a rear view thereof;

FIG. 4 is a left view thereof;

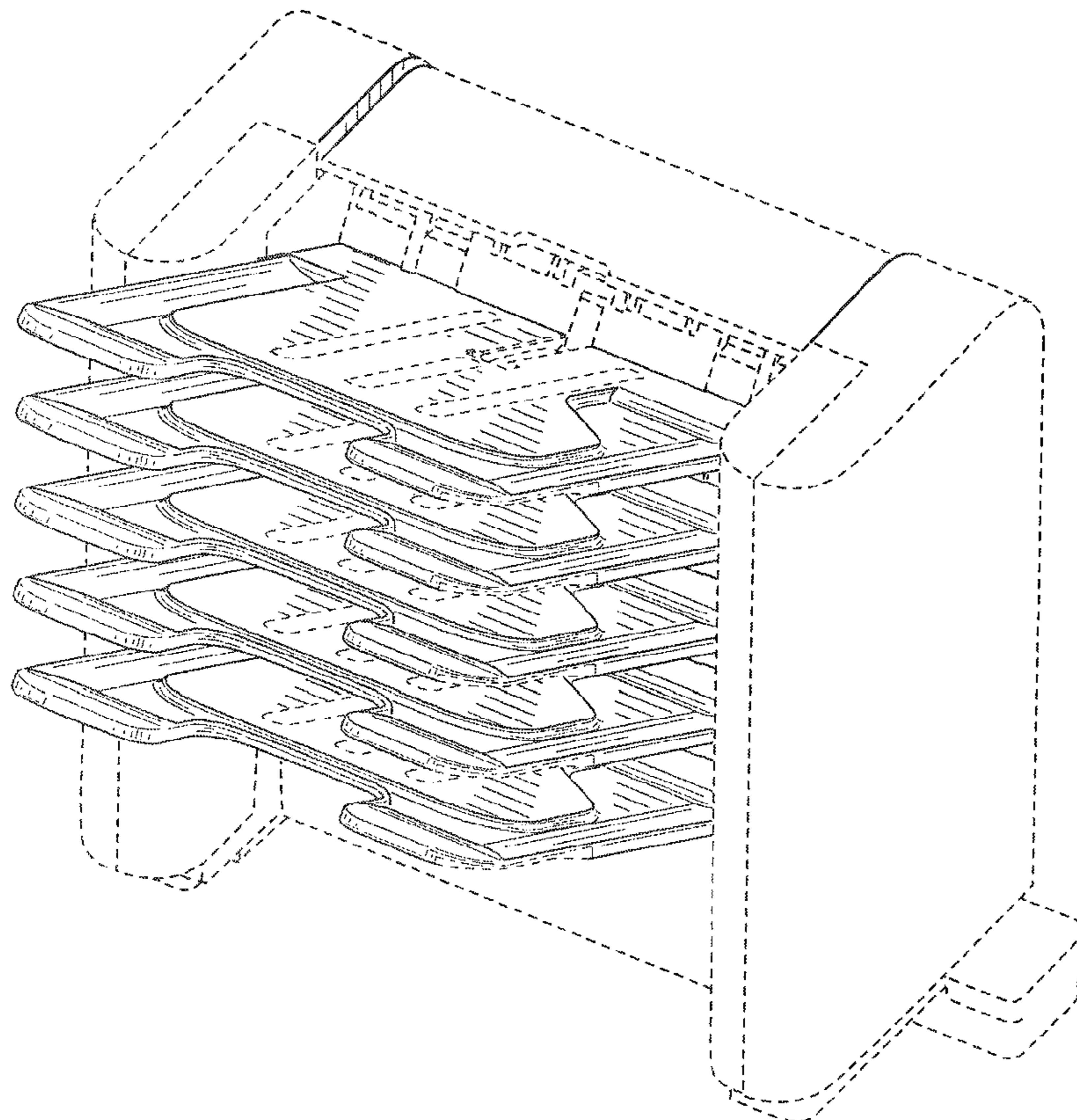
FIG. 5 is a right view thereof;

FIG. 6 is a top view thereof; and,

FIG. 7 is a bottom view thereof.

The dash-dash broken lines in the drawings are environmental lines while the short dash-long dash lines are boundary, neither of which are part of the claimed design.

1 Claim, 4 Drawing Sheets



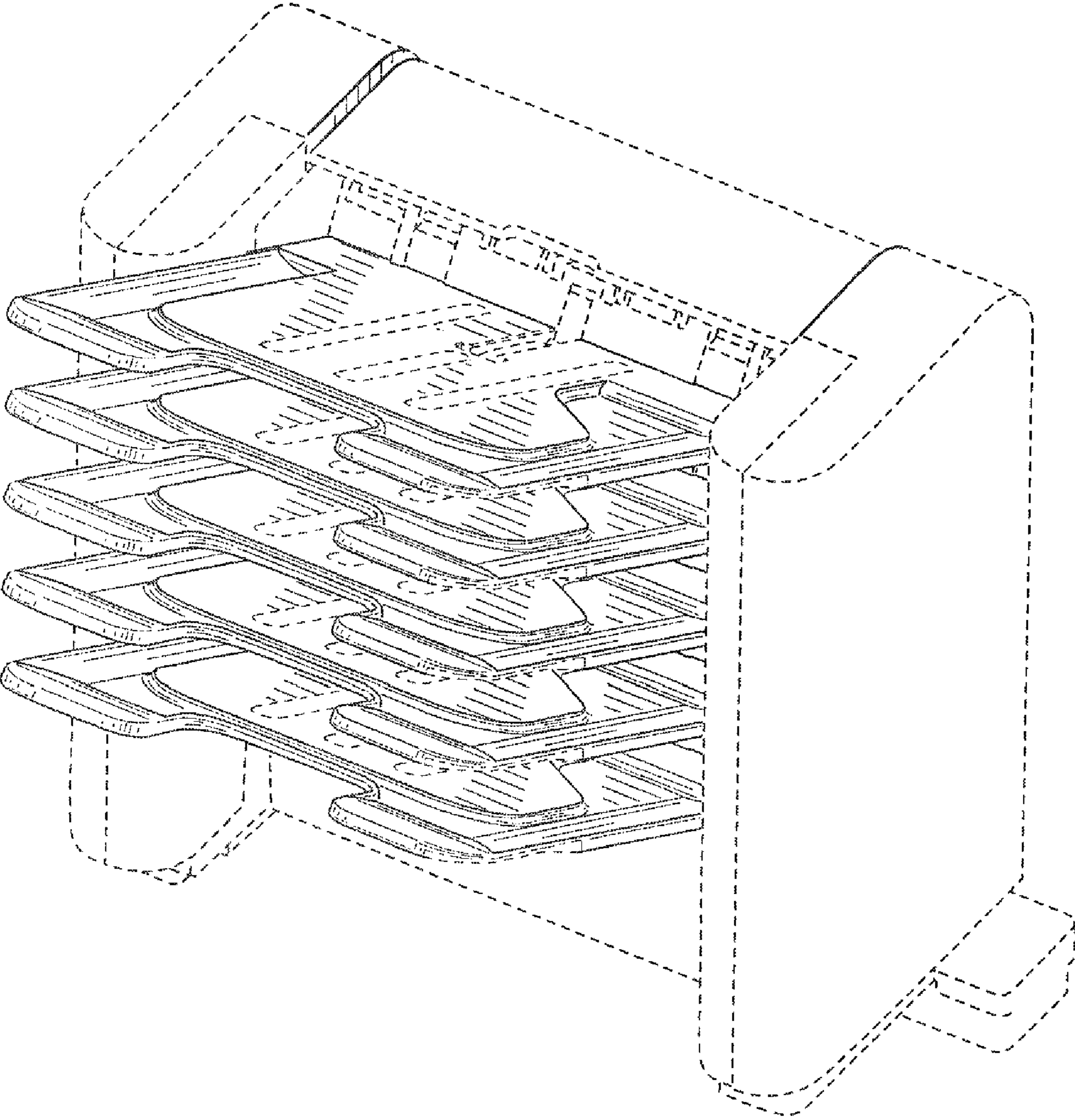


FIG. 1

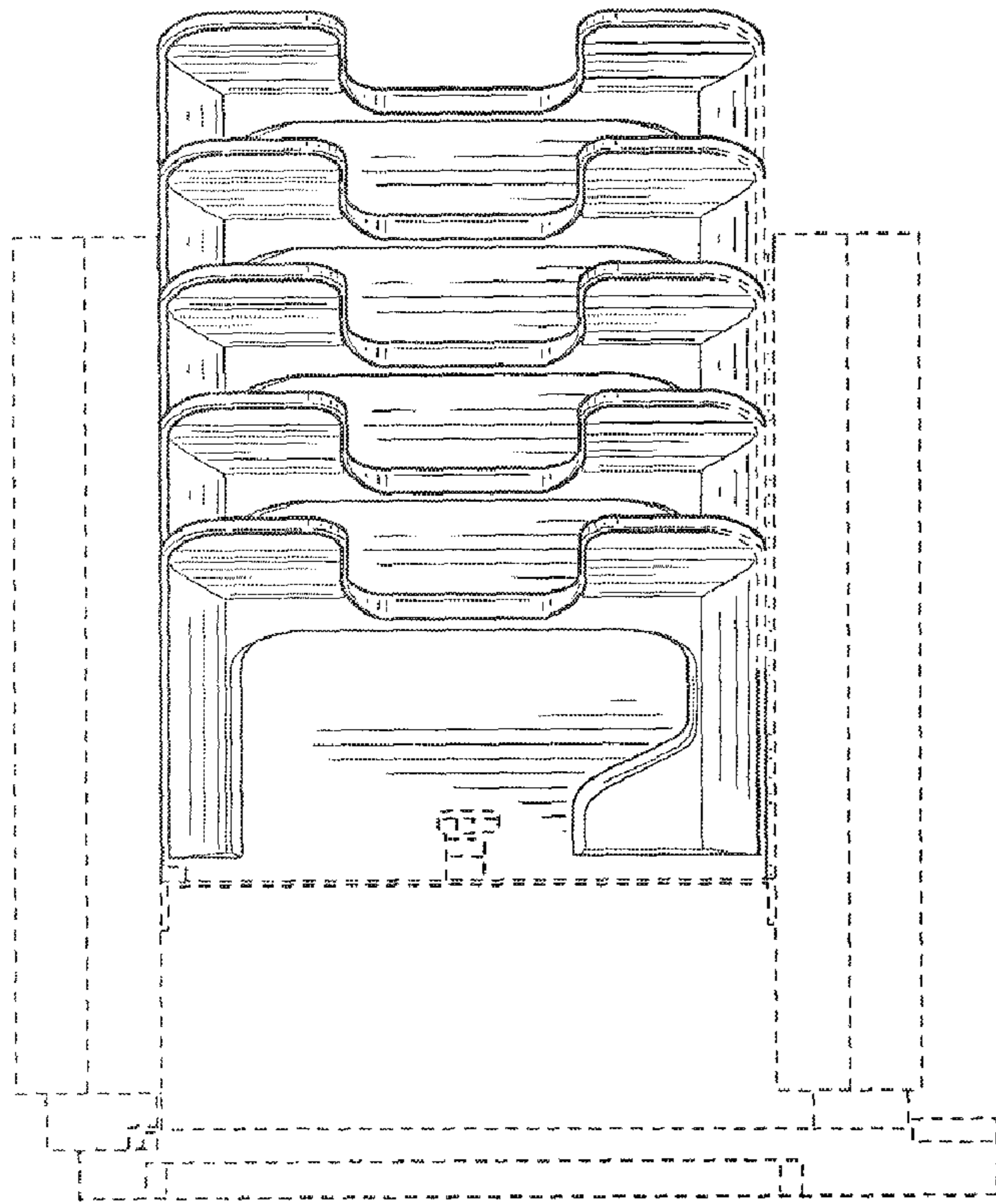


FIG. 2

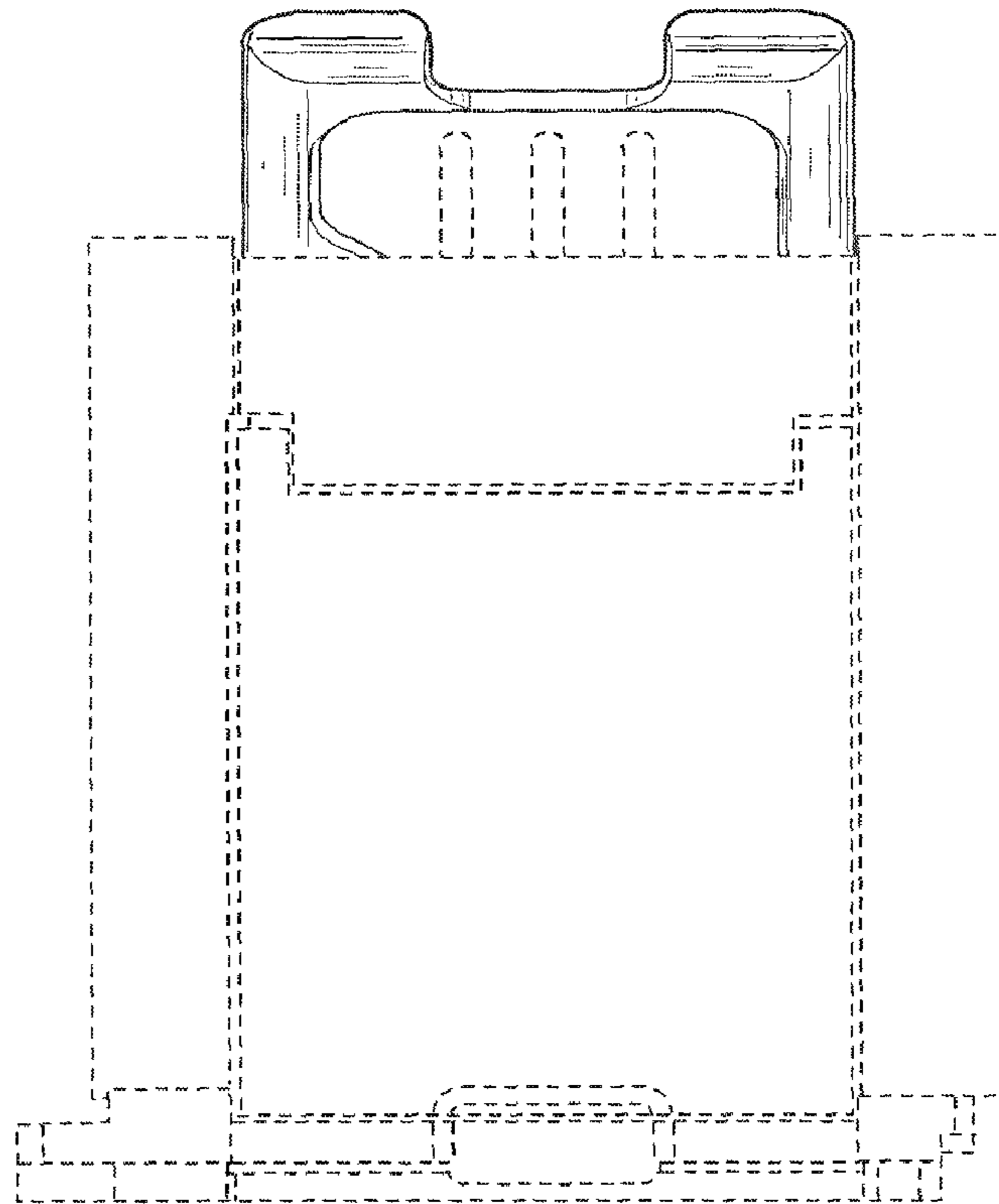


FIG. 3

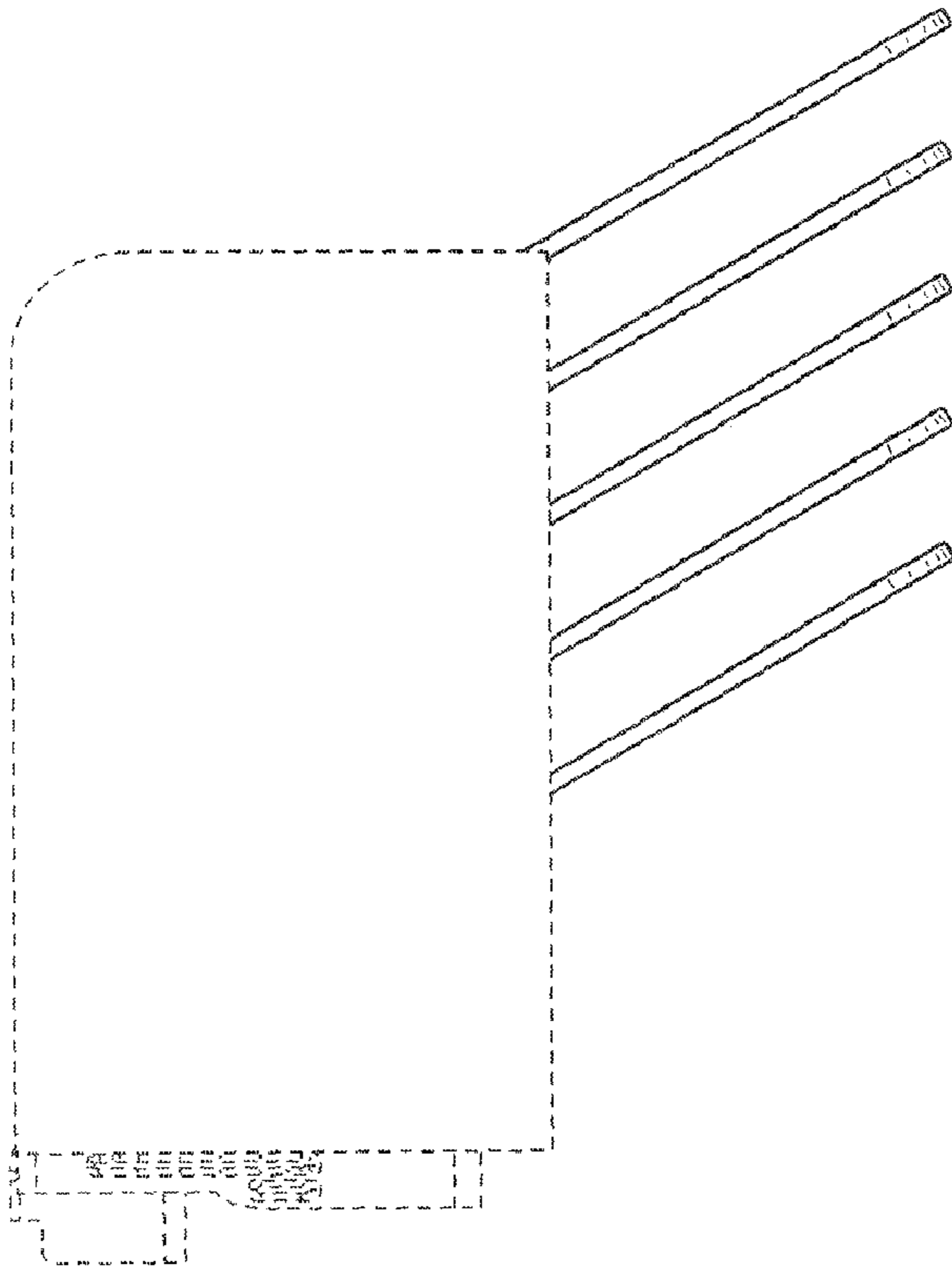


FIG. 4

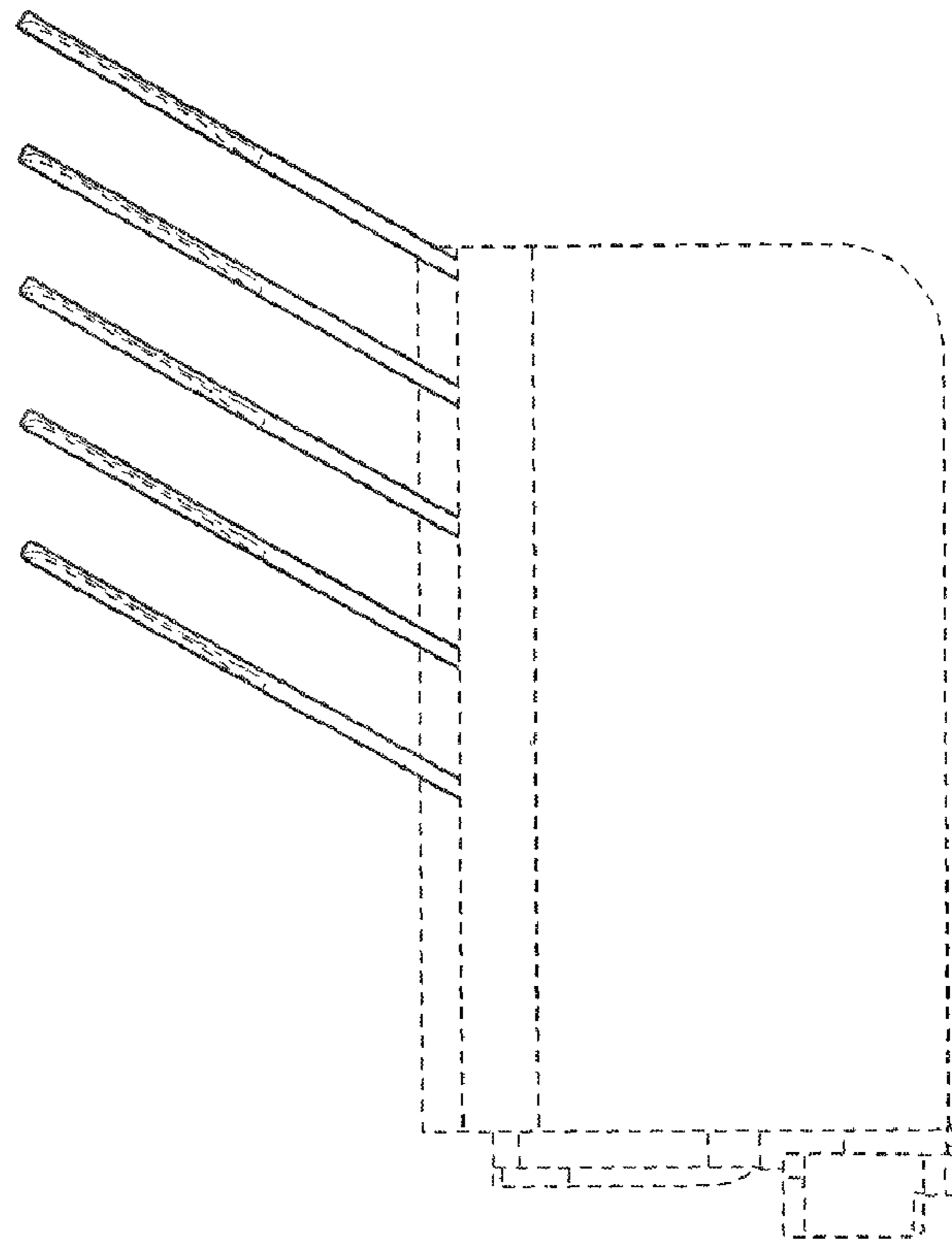


FIG. 5

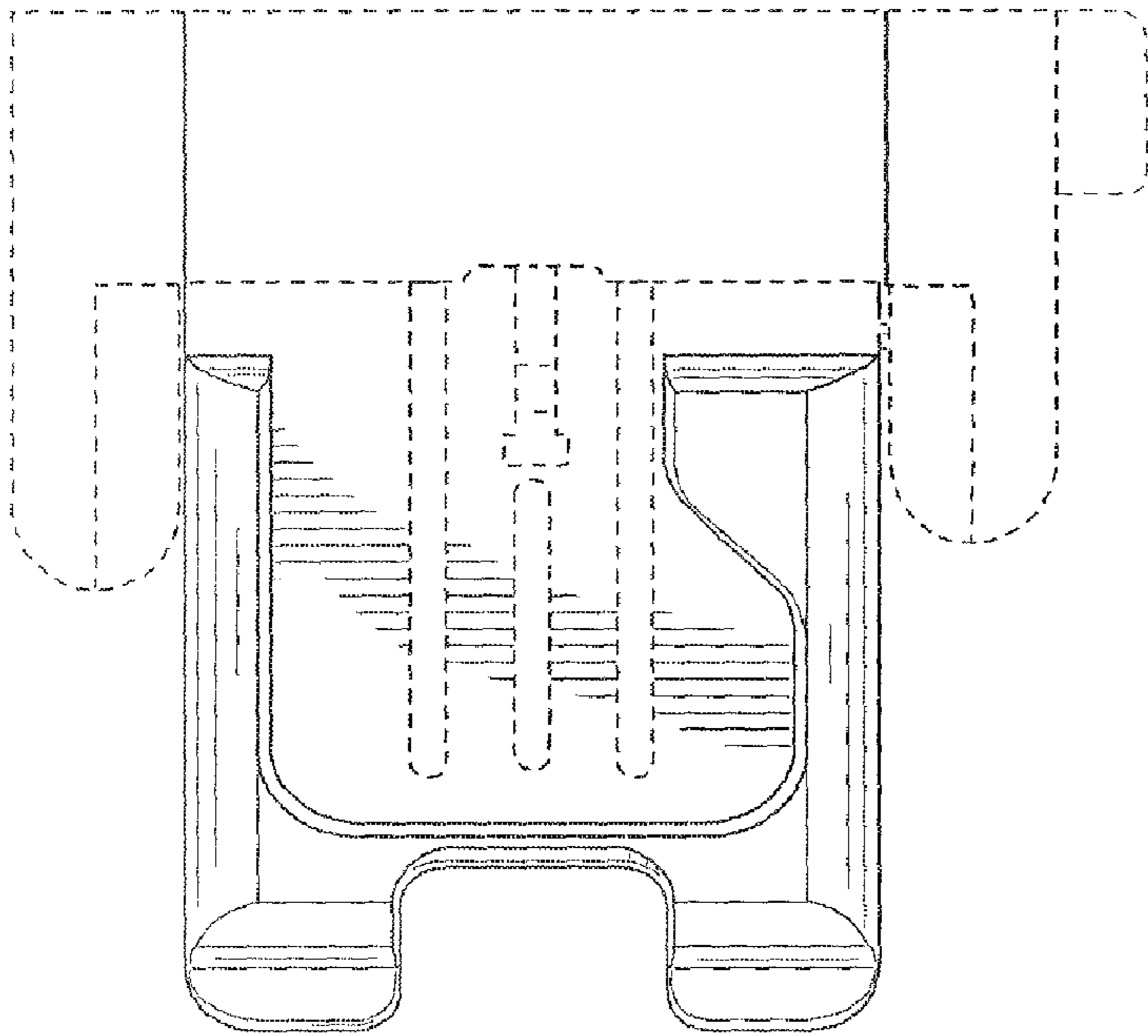


FIG. 6

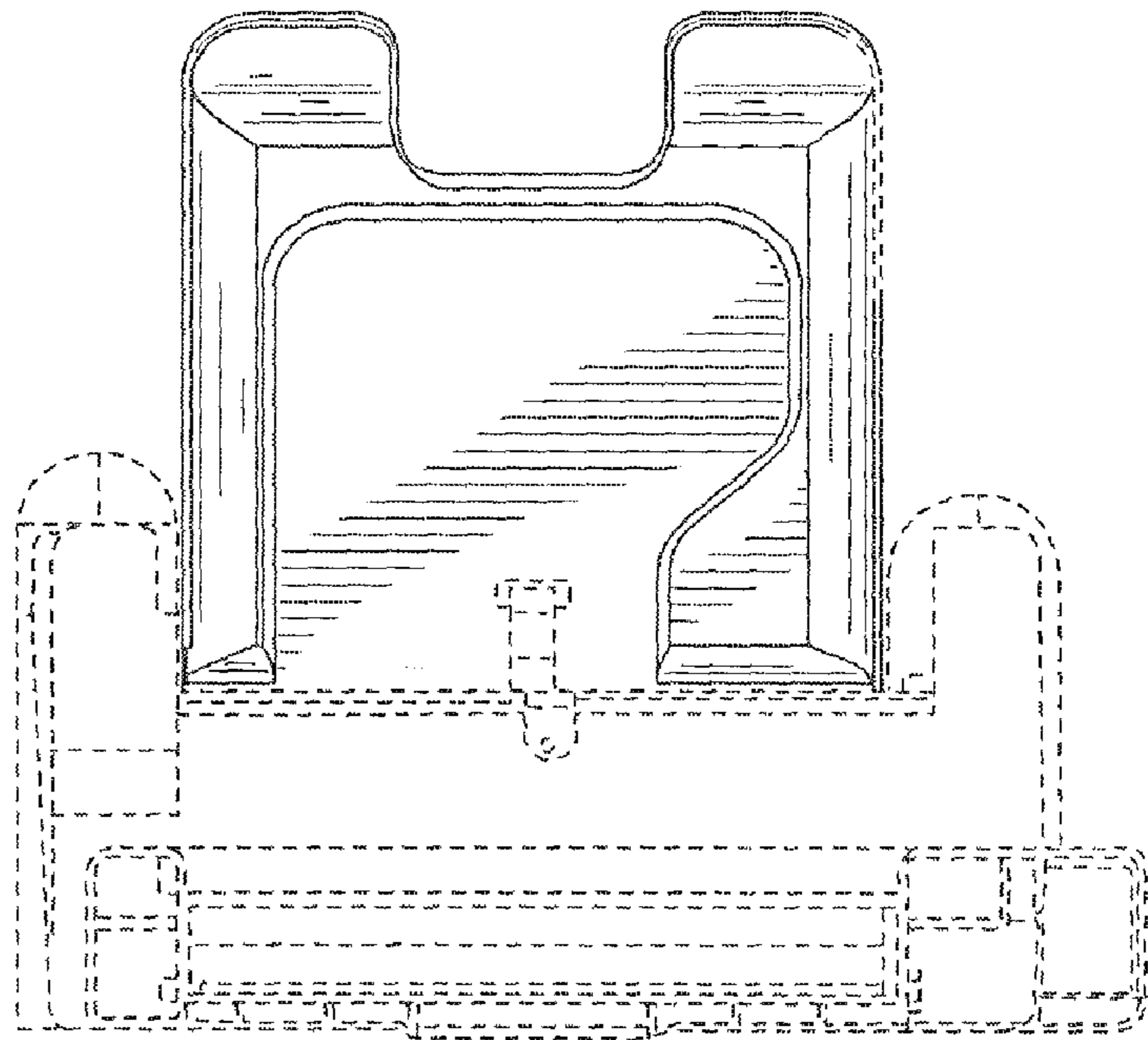


FIG. 7