



US00D630244S

(12) **United States Design Patent**
Takiguchi et al.

(10) **Patent No.:** **US D630,244 S**

(45) **Date of Patent:** **** Jan. 4, 2011**

(54) **TONER CARTRIDGE**

(75) Inventors: **Toshio Takiguchi**, Saitama (JP);
Kazuaki Sugawara, Saitama (JP)

(73) Assignee: **Fuji Xerox Co., Ltd.**, Tokyo (JP)

(**) Term: **14 Years**

(21) Appl. No.: **29/357,709**

(22) Filed: **Mar. 16, 2010**

(30) **Foreign Application Priority Data**

Sep. 17, 2009 (JP) D2009-021570

(51) **LOC (9) Cl.** **16-03**

(52) **U.S. Cl.** **D18/43**

(58) **Field of Classification Search** D14/462,
D14/471, 474, 475; D18/12, 36, 40, 43,
D18/44, 56; 222/DIG. 1; 347/197, 214,
347/222; 399/24-28, 107-112, 119, 121,
399/122, 222-224

See application file for complete search history.

(56) **References Cited**

U.S. PATENT DOCUMENTS

D321,716	S *	11/1991	Kikuchi et al.	D18/43
D398,634	S *	9/1998	Katayama et al.	D18/43
D408,845	S *	4/1999	Harumoto	D18/43
D431,260	S *	9/2000	Kohno et al.	D18/43
6,490,422	B2 *	12/2002	Harumoto	399/27
D574,039	S *	7/2008	Saito et al.	D18/43
D579,971	S *	11/2008	Saito et al.	D18/43
2002/0021909	A1 *	2/2002	Harumoto	399/27
2010/0008698	A1 *	1/2010	Ichikawa et al.	399/119
2010/0098456	A1 *	4/2010	Murase et al.	399/110

* cited by examiner

Primary Examiner—Garth Rademaker

(74) *Attorney, Agent, or Firm*—Oliff & Berridge, PLC

(57) **CLAIM**

The ornamental design for a toner cartridge, as shown and described.

DESCRIPTION

FIG. 1 is a perspective view of top, front and left side of a toner cartridge showing our new design;

FIG. 2 is a front view thereof;

FIG. 3 is a rear view thereof;

FIG. 4 is a top plan view thereof;

FIG. 5 is a bottom view thereof;

FIG. 6 is a left side view thereof;

FIG. 7 is a right side view thereof;

FIG. 8 is a partially enlarged perspective view of top, front and right side thereof;

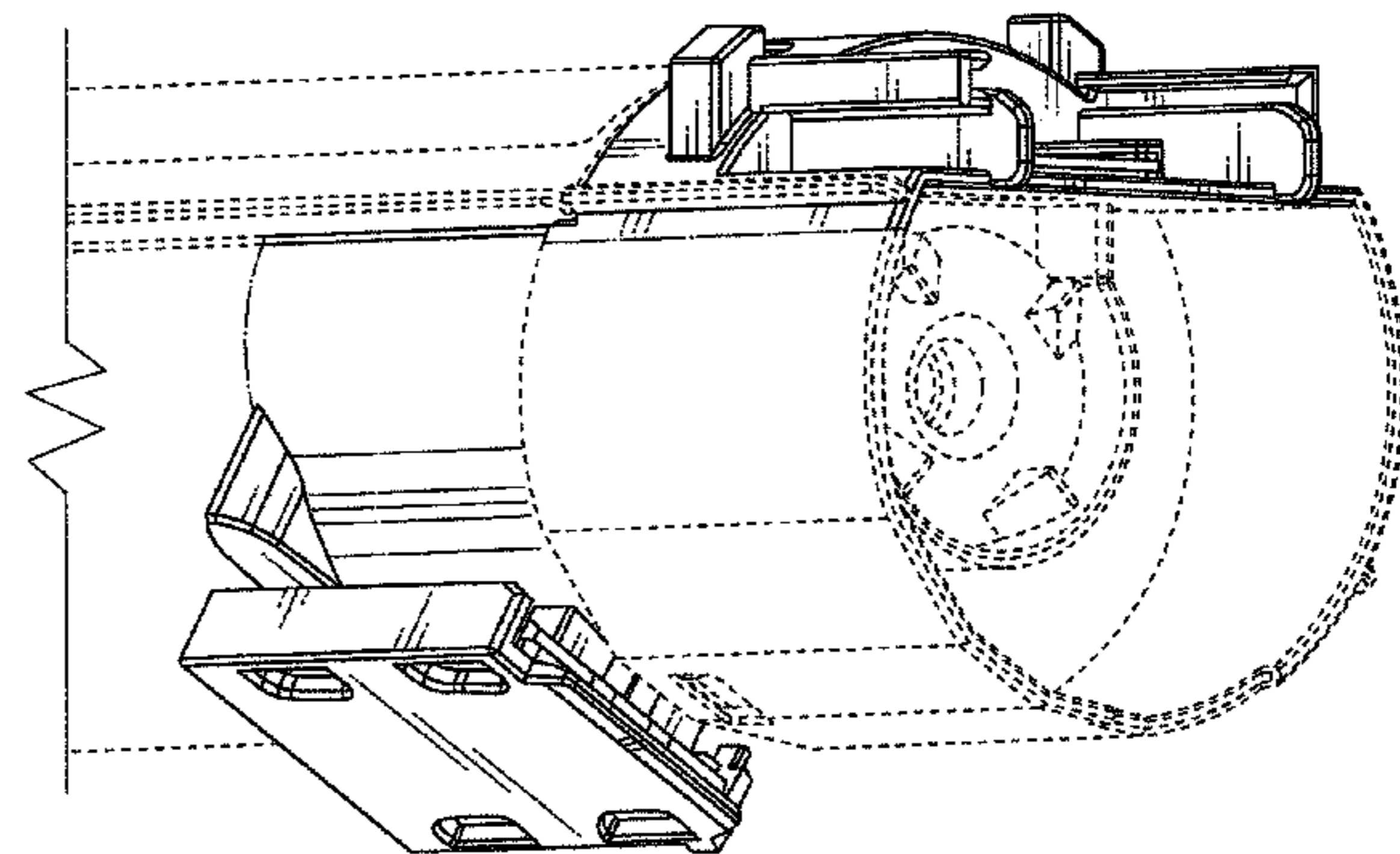
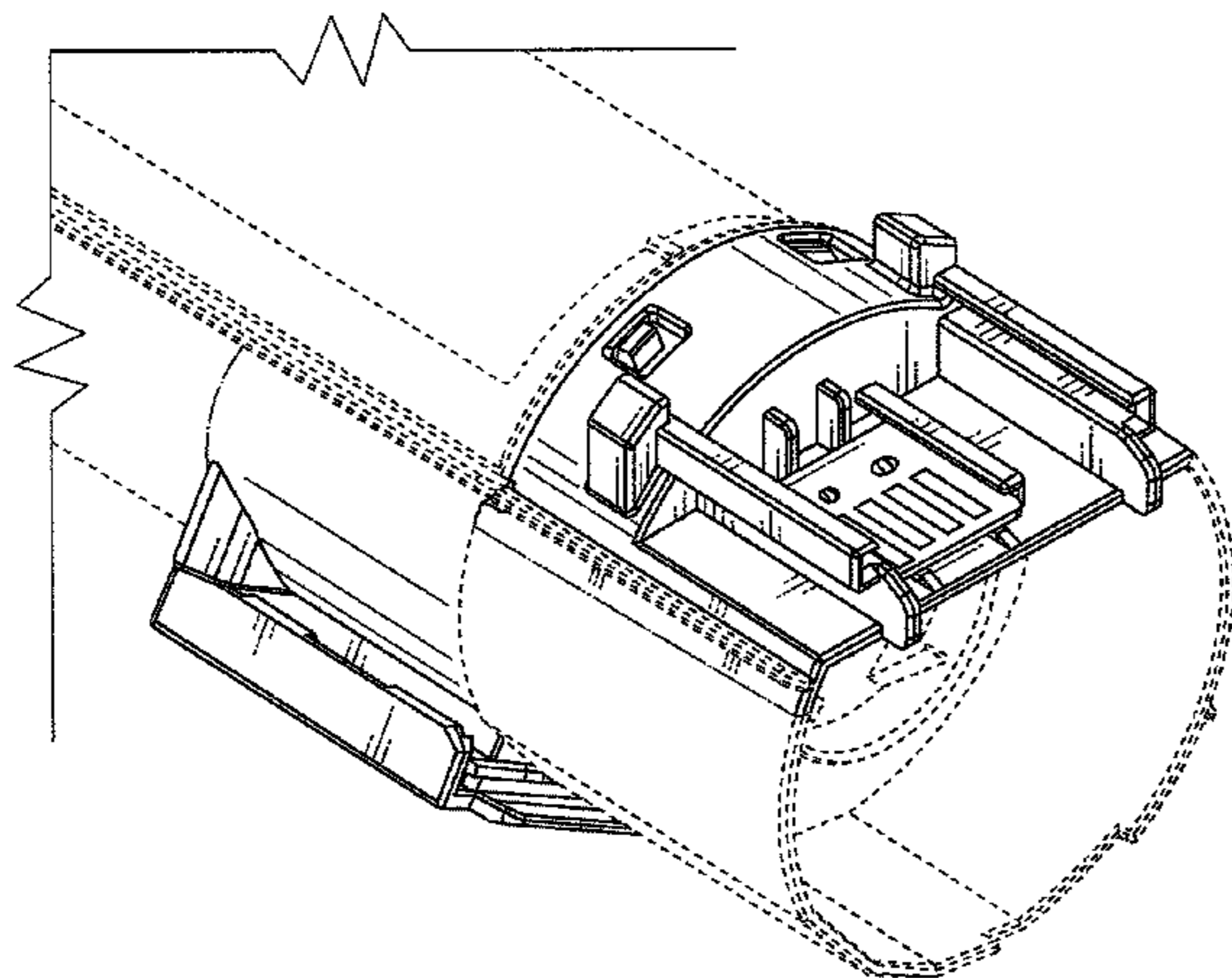
FIG. 9 is a partially enlarged perspective view of front and right side thereof;

FIG. 10 is a partially enlarged perspective view of top, rear and right side thereof; and,

FIG. 11 is a partially enlarged perspective view of rear and right side thereof.

The evenly-broken lines depict environmental subject matter only and the unevenly-broken lines depict boundaries of the claimed design. None of the material shown in either type of broken line forms any part of the claimed design.

1 Claim, 8 Drawing Sheets



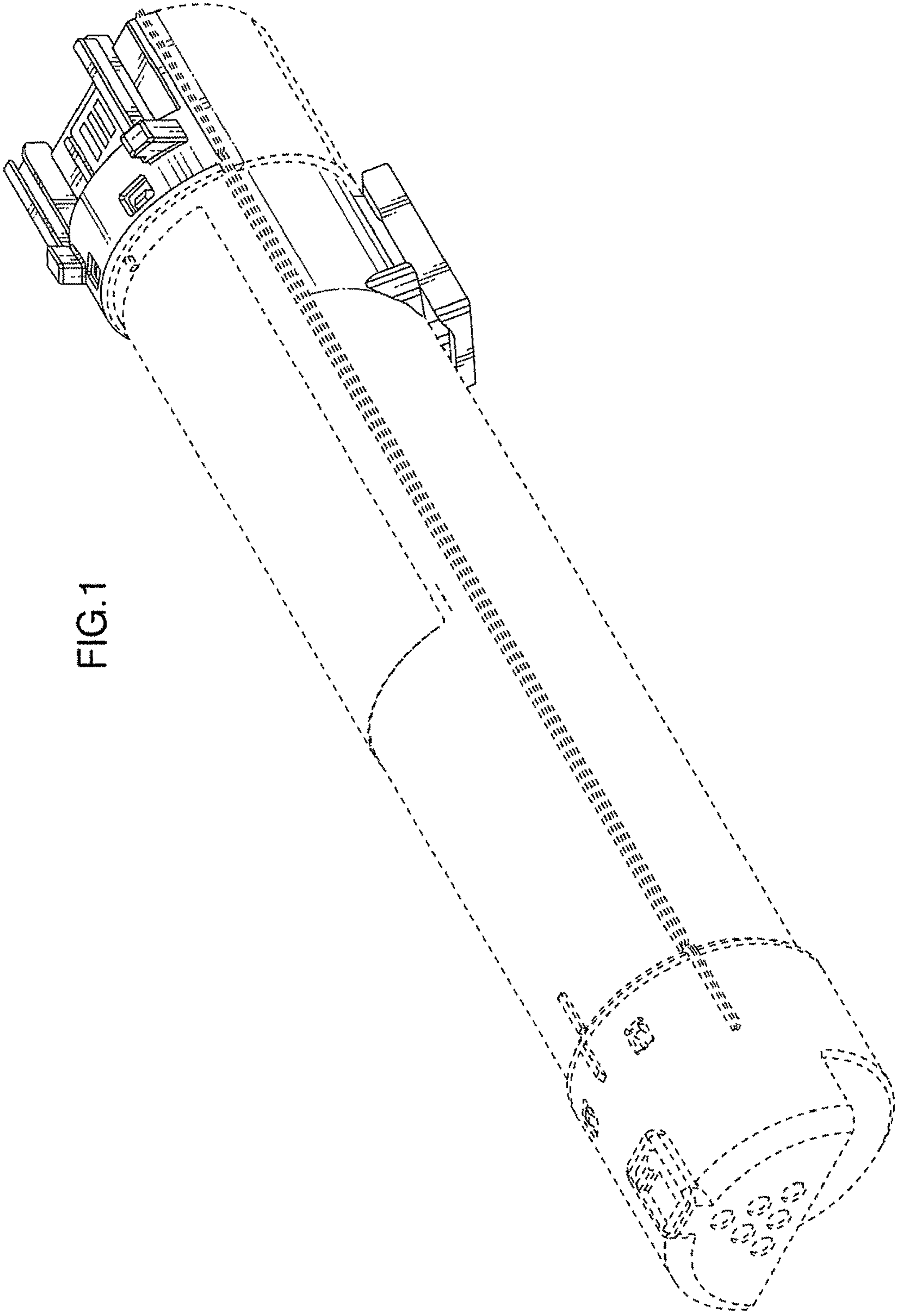


FIG.1

FIG.2

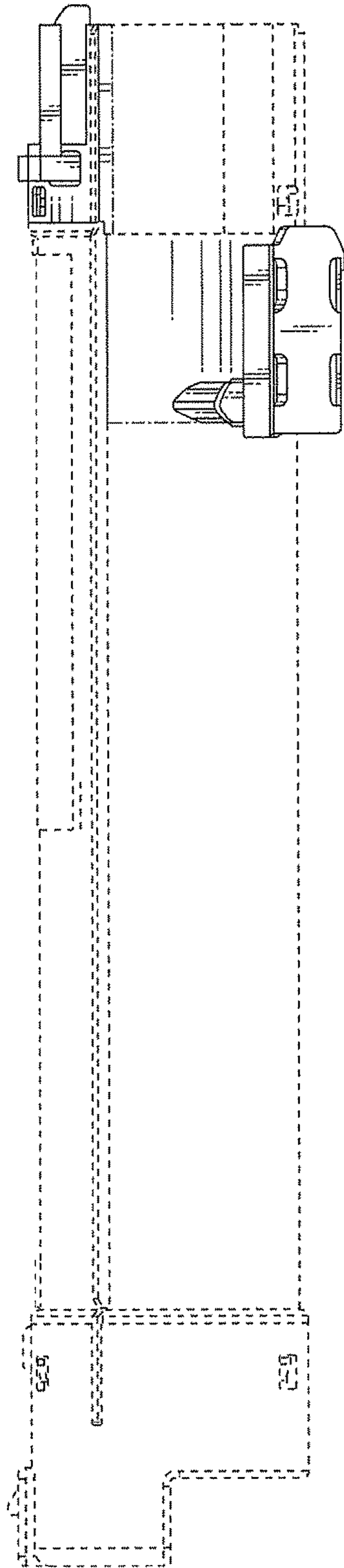


FIG.3

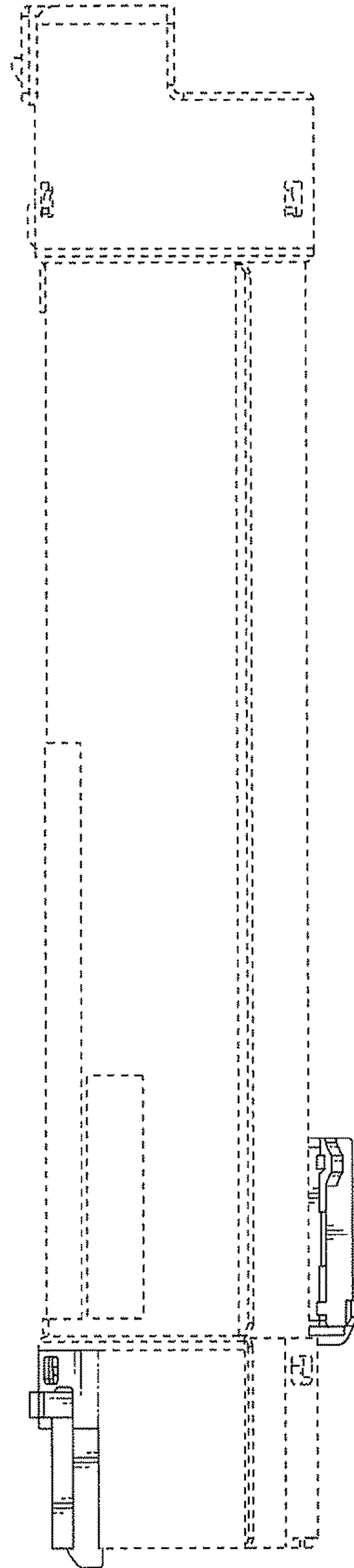


FIG.4

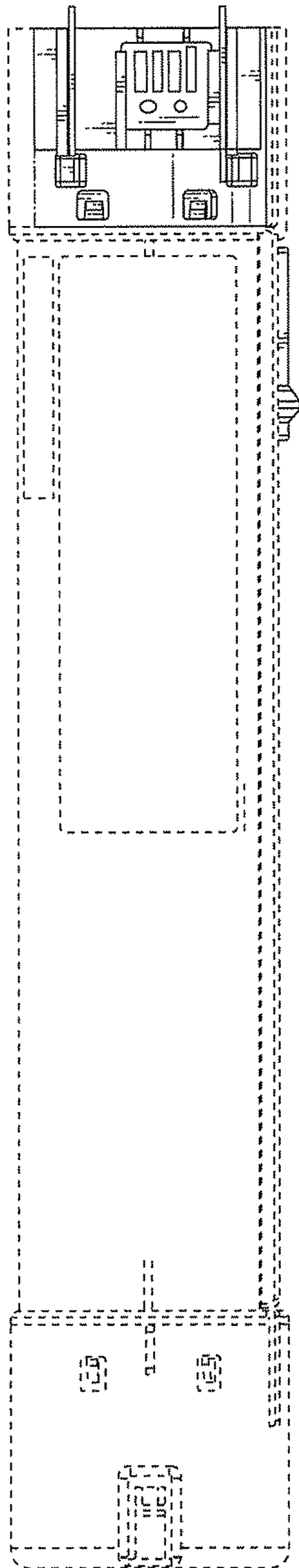


FIG.5

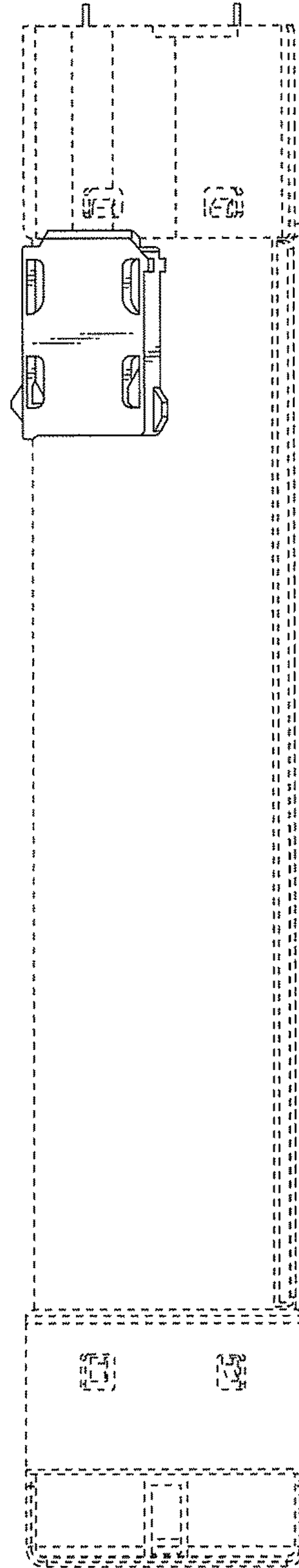


FIG.7

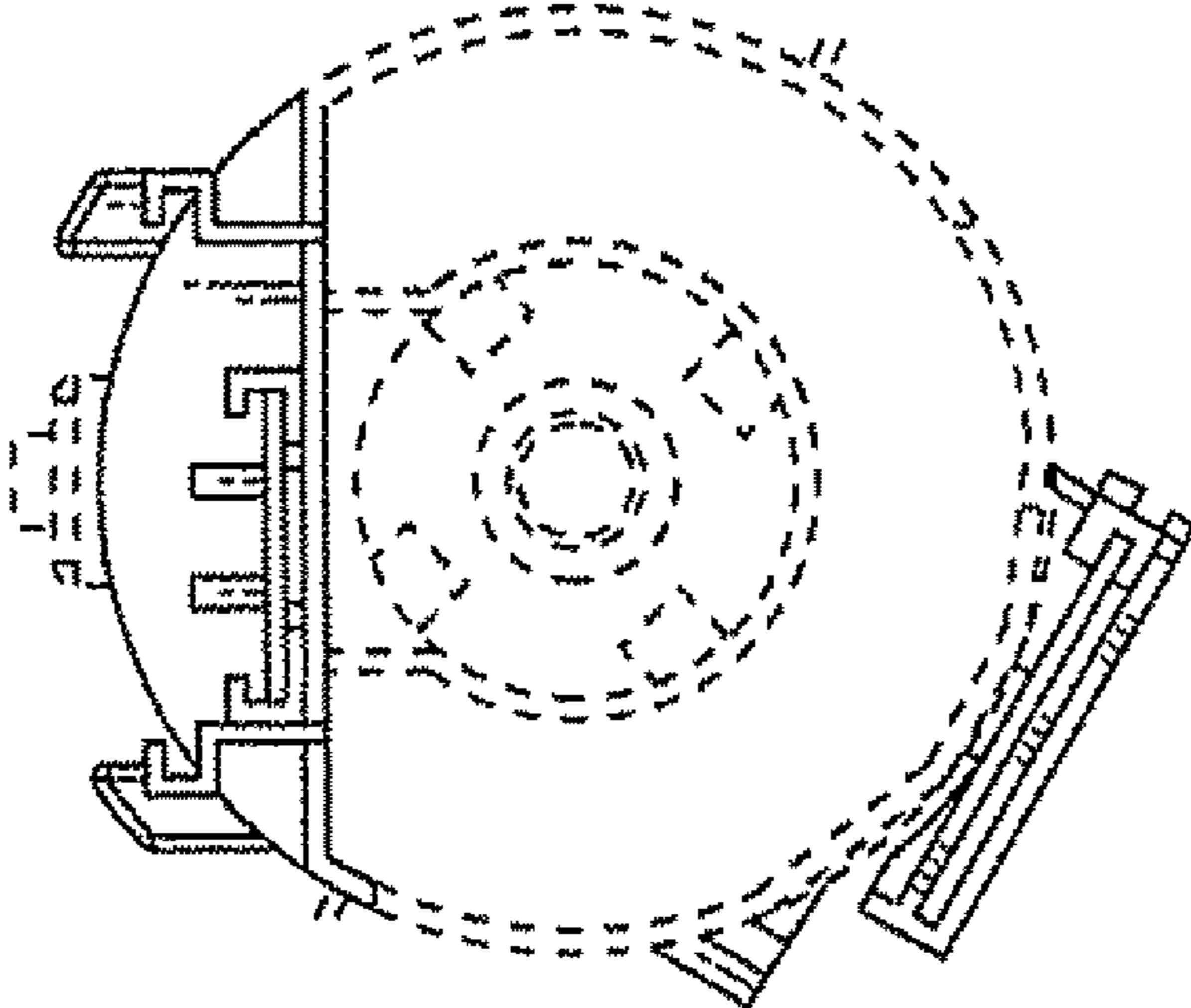


FIG.6

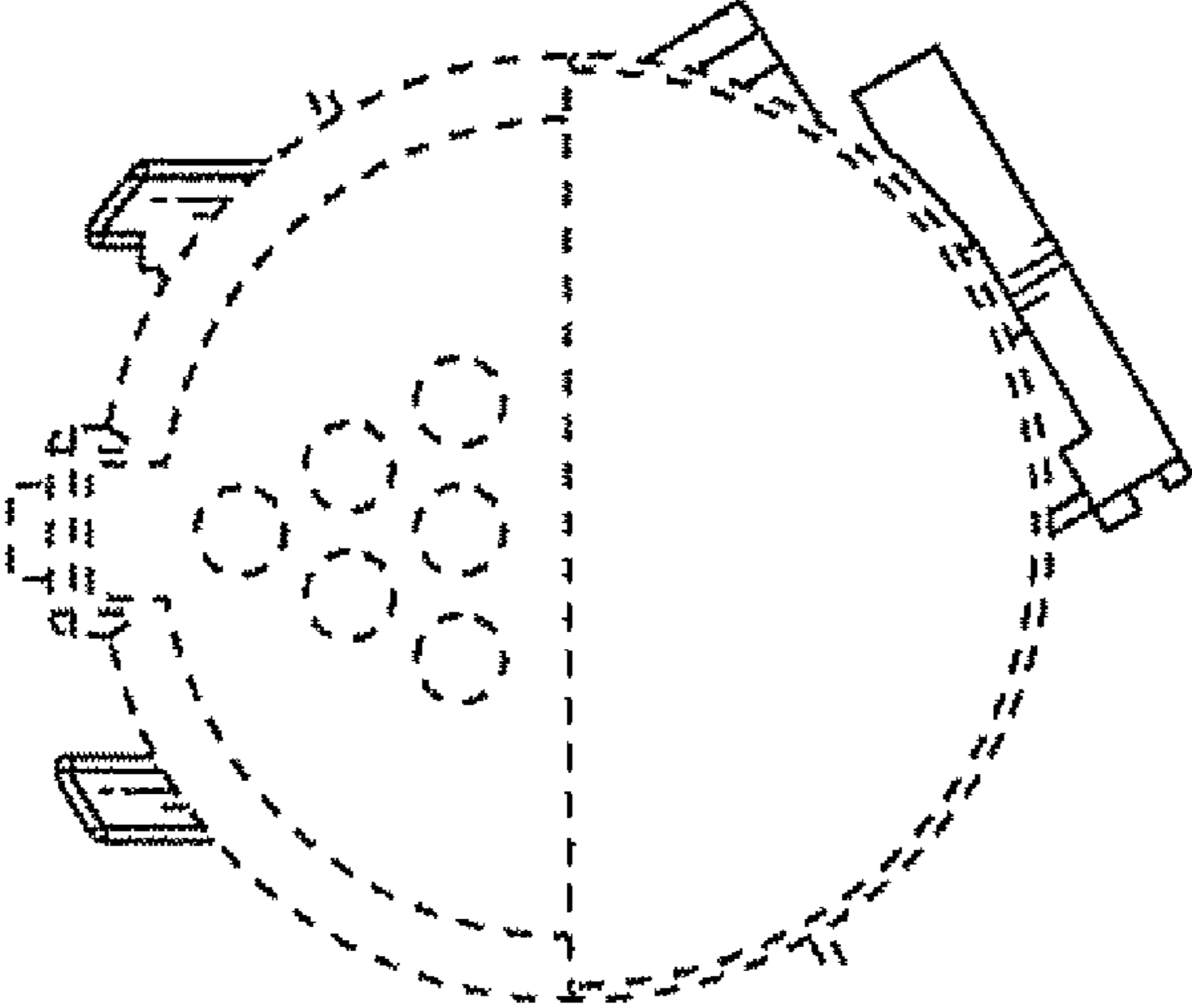


FIG. 8

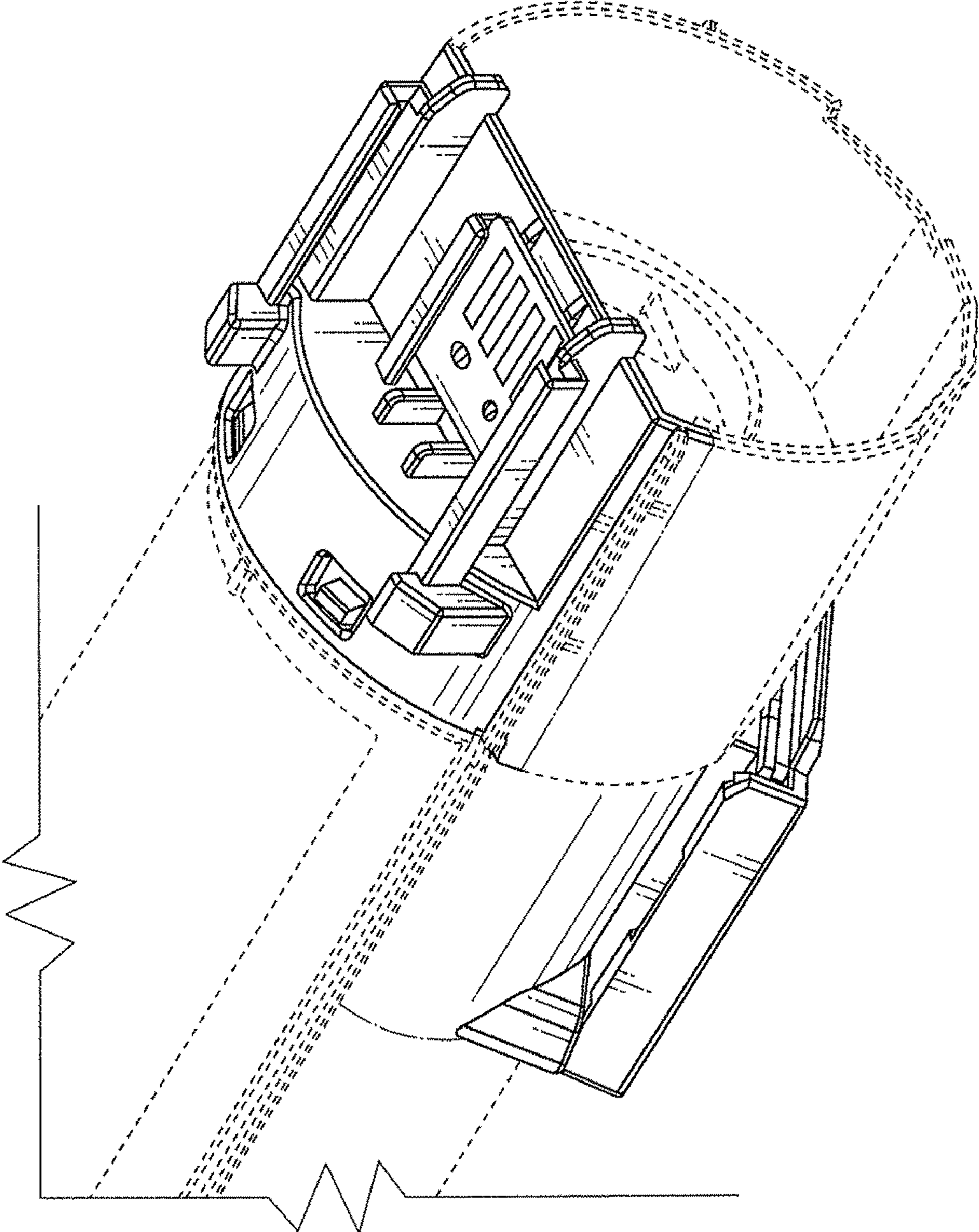


FIG. 9

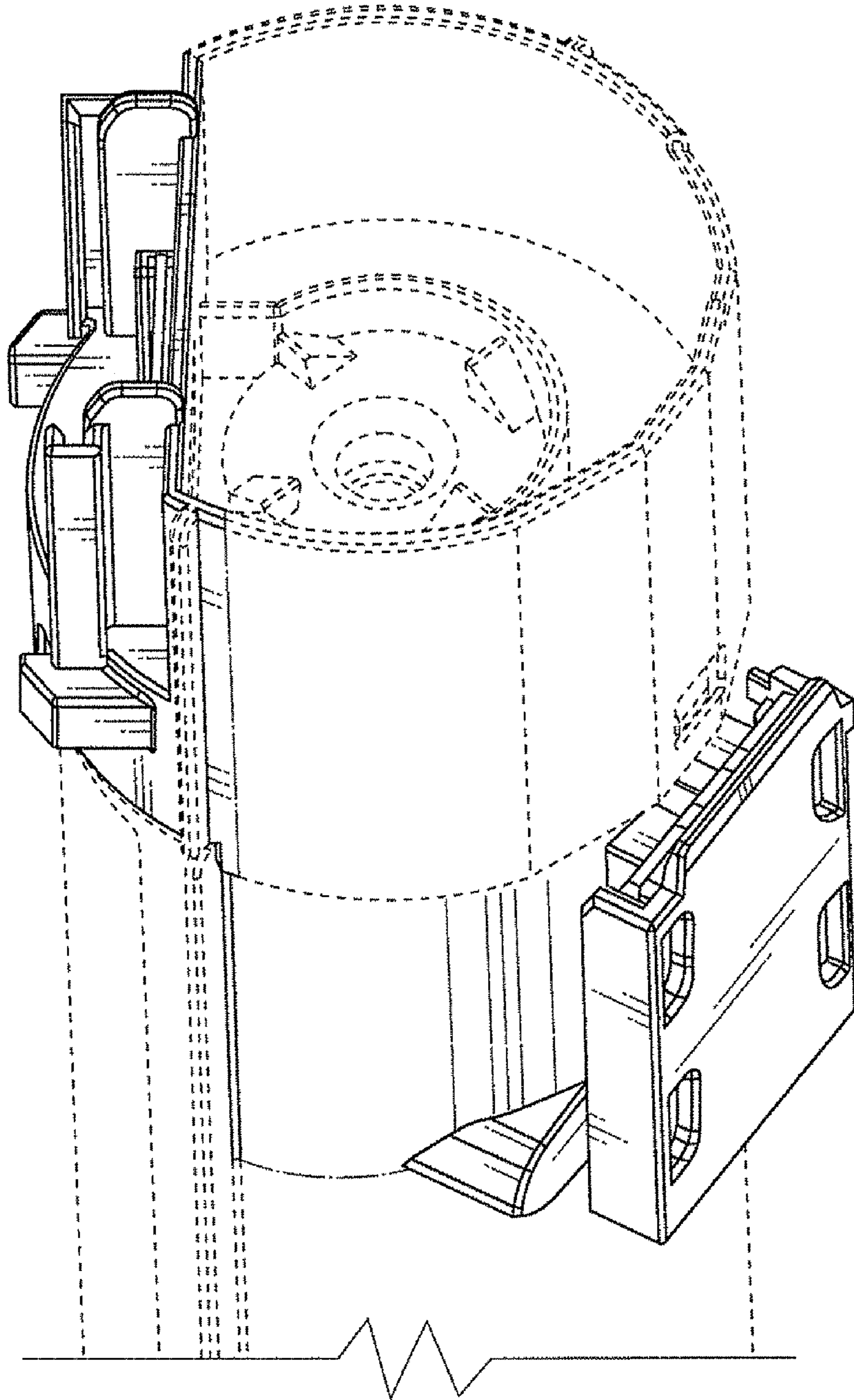


FIG.10

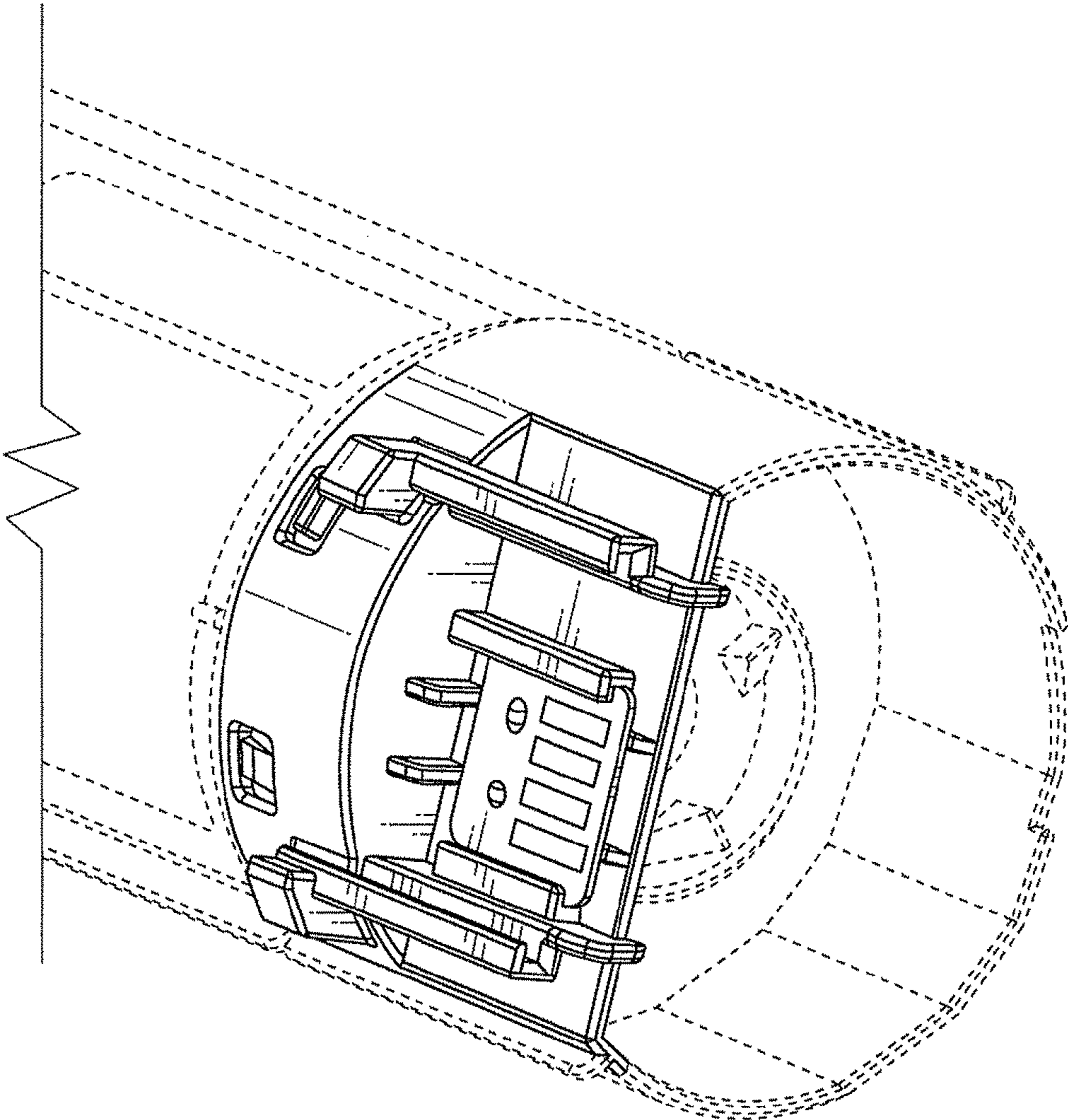


FIG.11

