



US00D630243S

(12) **United States Design Patent**
Takiguchi et al.

(10) **Patent No.:** **US D630,243 S**

(45) **Date of Patent:** **** Jan. 4, 2011**

(54) **TONER CARTRIDGE**

(75) Inventors: **Toshio Takiguchi**, Saitama (JP);
Kazuaki Sugawara, Saitama (JP)

(73) Assignee: **Fuji Xerox Co., Ltd.**, Tokyo (JP)

(**) Term: **14 Years**

(21) Appl. No.: **29/357,702**

(22) Filed: **Mar. 16, 2010**

(30) **Foreign Application Priority Data**

Sep. 17, 2009 (JP) D2009-021571

(51) **LOC (9) Cl.** **16-03**

(52) **U.S. Cl.** **D18/43**

(58) **Field of Classification Search** D14/462,
D14/471, 474, 475; D18/12, 36, 40, 43,
D18/44, 56; 222/DIG. 1; 347/197, 214,
347/222; 399/24-28, 107-112, 119, 121,
399/122, 222-224

See application file for complete search history.

(56) **References Cited**

U.S. PATENT DOCUMENTS

- D321,716 S * 11/1991 Kikuchi et al. D18/43
- D398,634 S * 9/1998 Katayama et al. D18/43
- D408,845 S * 4/1999 Harumoto D18/43
- D431,260 S * 9/2000 Kohno et al. D18/43
- 6,490,422 B2 * 12/2002 Harumoto 399/27
- D574,039 S * 7/2008 Saito et al. D18/43
- D579,971 S * 11/2008 Saito et al. D18/43
- 2002/0021909 A1 * 2/2002 Harumoto 399/27
- 2010/0008698 A1 * 1/2010 Ichikawa et al. 399/119

2010/0098456 A1* 4/2010 Murase et al. 399/110

* cited by examiner

Primary Examiner—Garth Rademaker

(74) *Attorney, Agent, or Firm*—Oliff & Berridge, PLC

(57) **CLAIM**

The ornamental design for a toner cartridge, as shown and described.

DESCRIPTION

FIG. 1 is a perspective view of top, front and left side of a toner cartridge showing our new design;

FIG. 2 is a front view thereof;

FIG. 3 is a rear view thereof;

FIG. 4 is a top plan view thereof;

FIG. 5 is a bottom view thereof;

FIG. 6 is a left side view thereof;

FIG. 7 is a right side view thereof;

FIG. 8 is a partially enlarged perspective view of top, front and right side thereof;

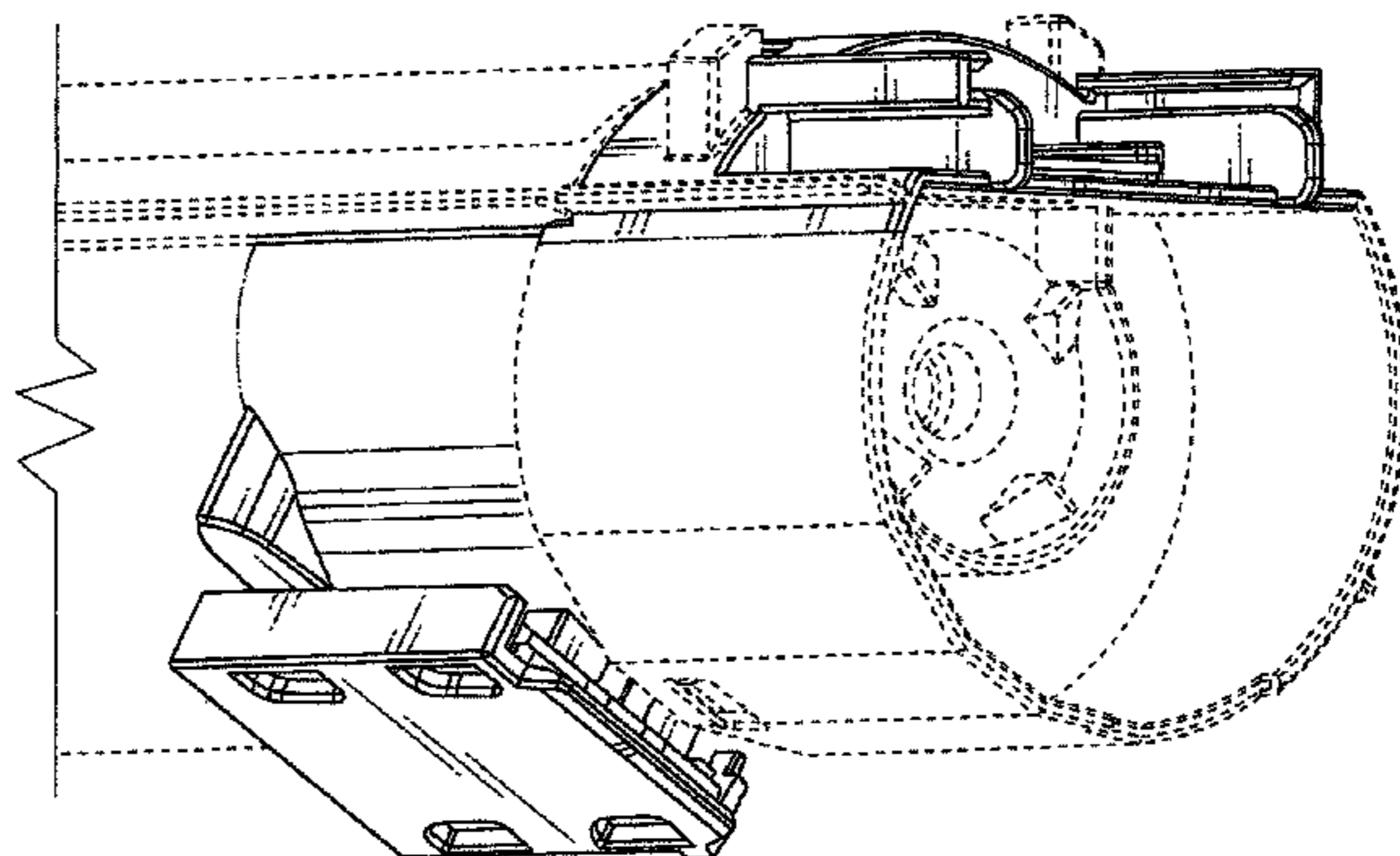
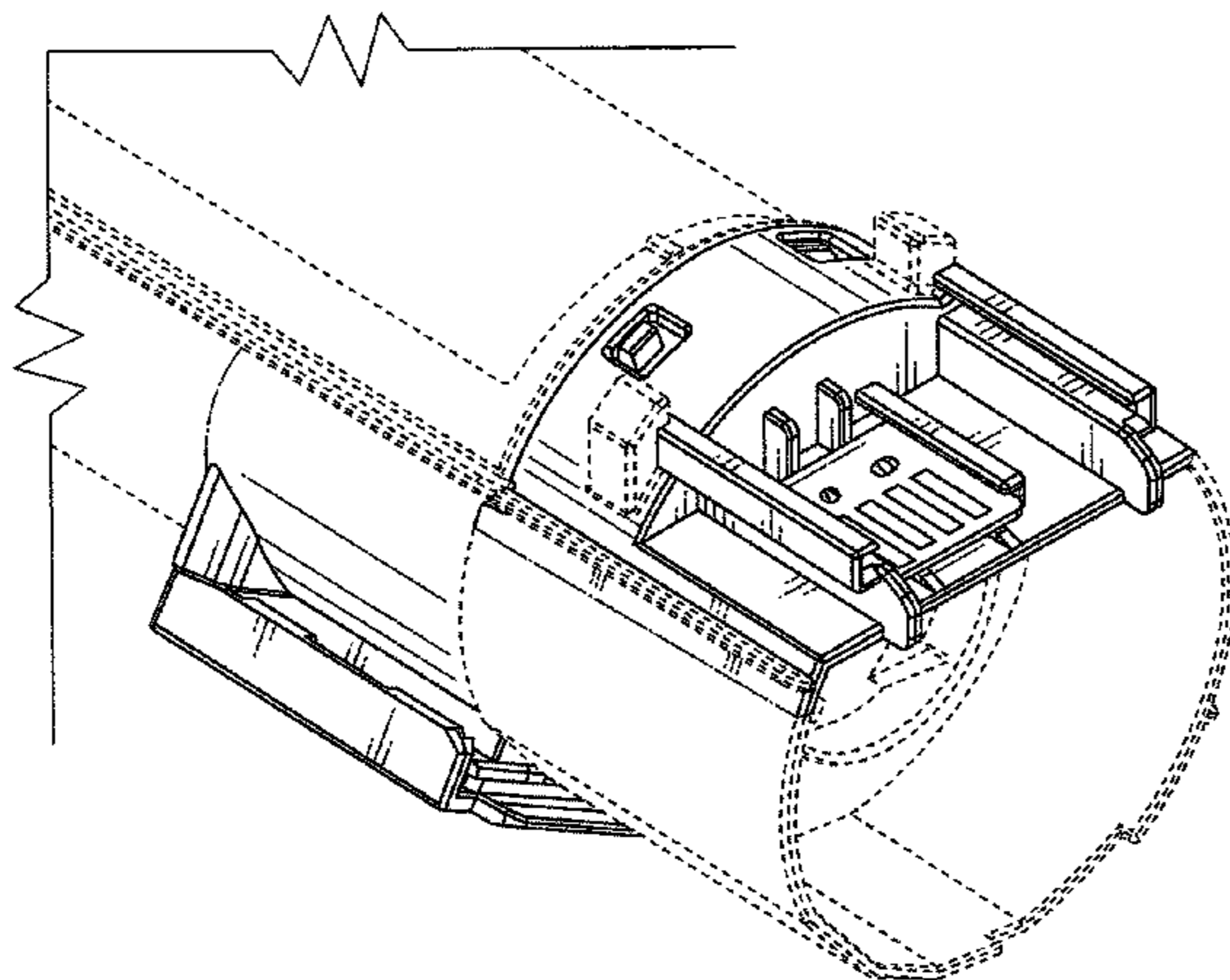
FIG. 9 is a partially enlarged perspective view of front and right side thereof;

FIG. 10 is a partially enlarged perspective view of top, rear and right side thereof; and,

FIG. 11 is a partially enlarged perspective view of rear and right side thereof.

The evenly-broken lines depict environmental subject matter only and the unevenly-broken lines depict boundaries of the claimed design. None of the material shown in either type of broken line forms any part of the claimed design.

1 Claim, 8 Drawing Sheets



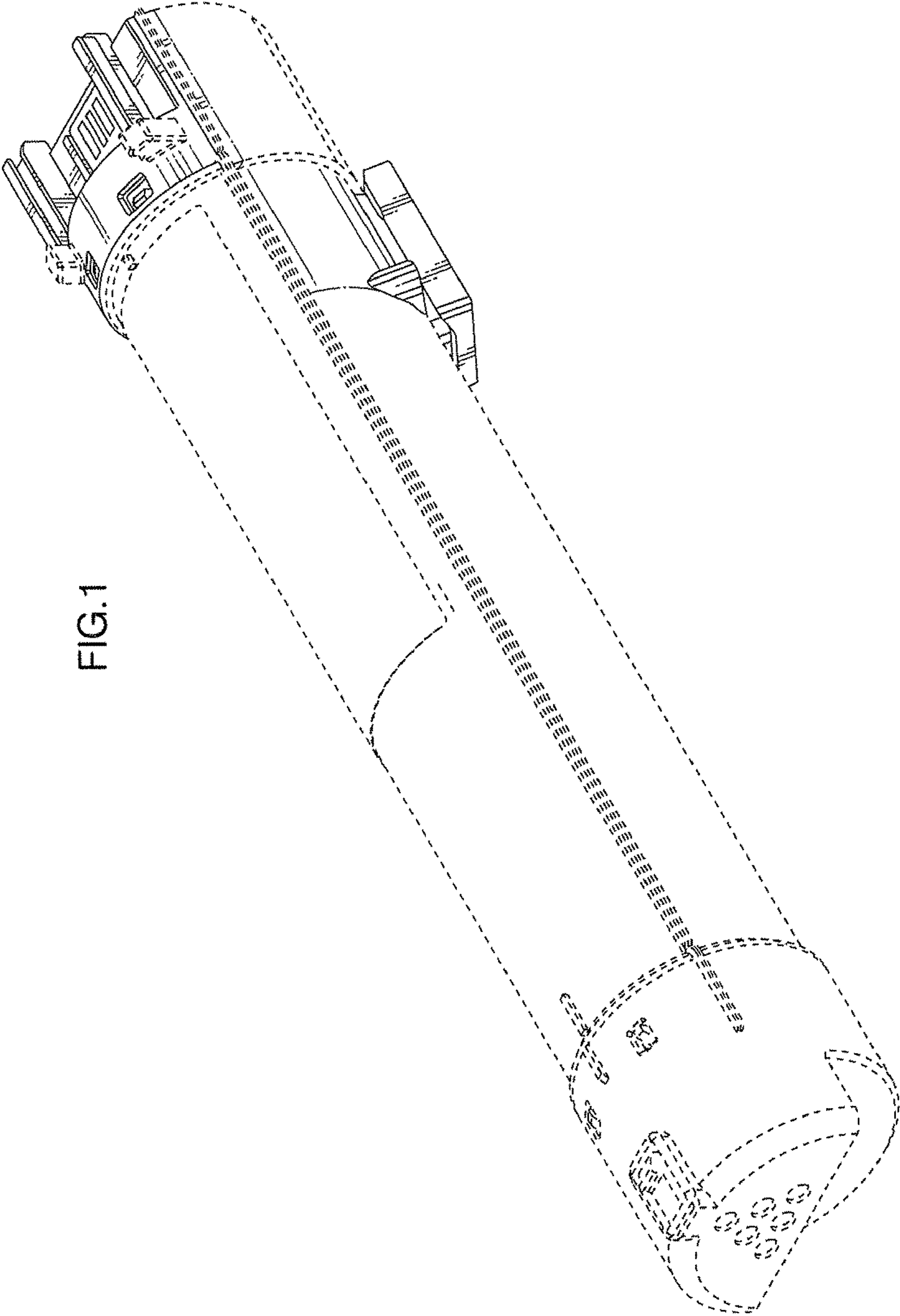


FIG.1

FIG.2

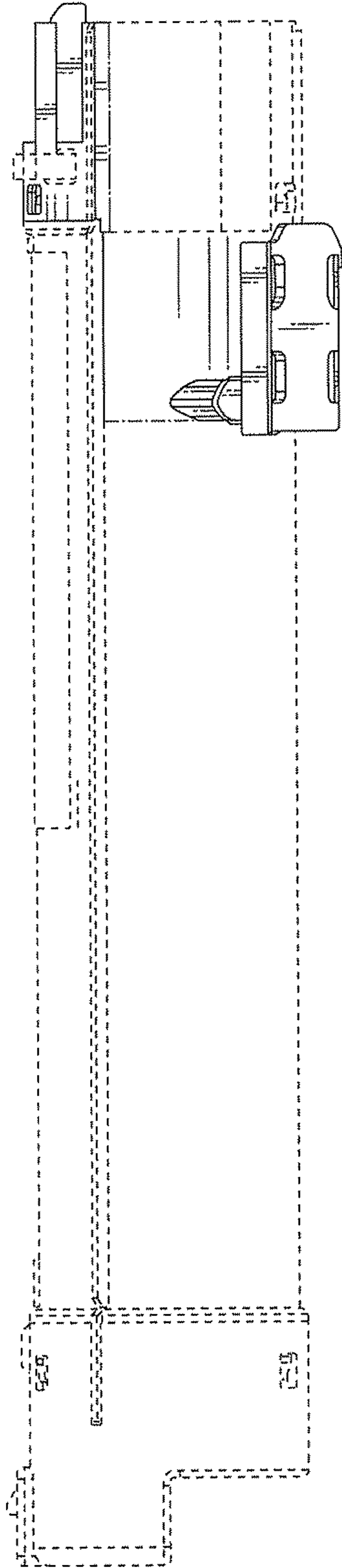


FIG.3

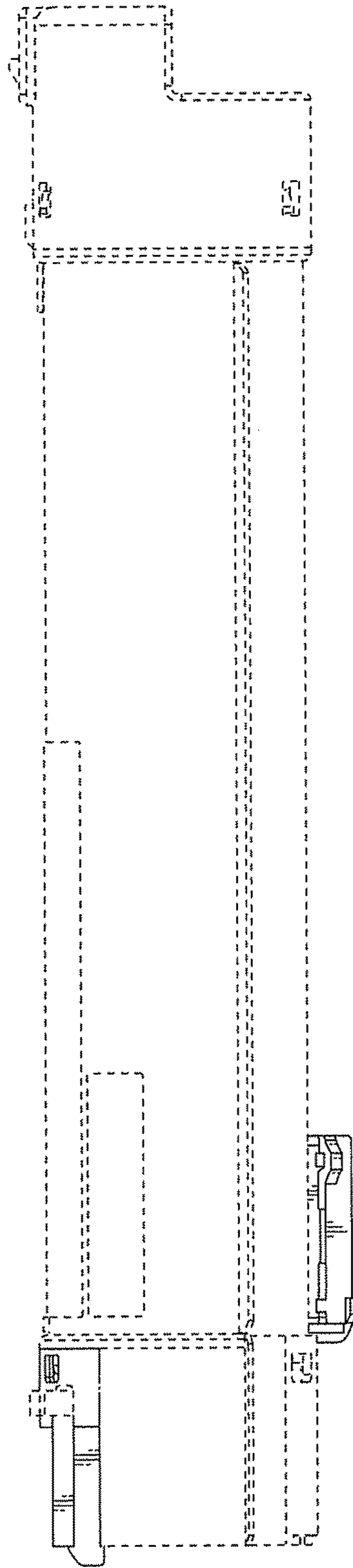


FIG.4

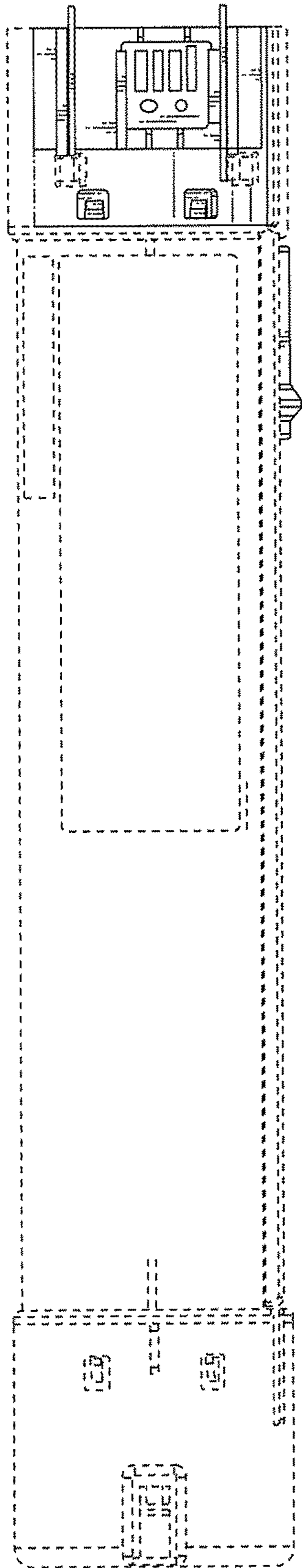


FIG.5

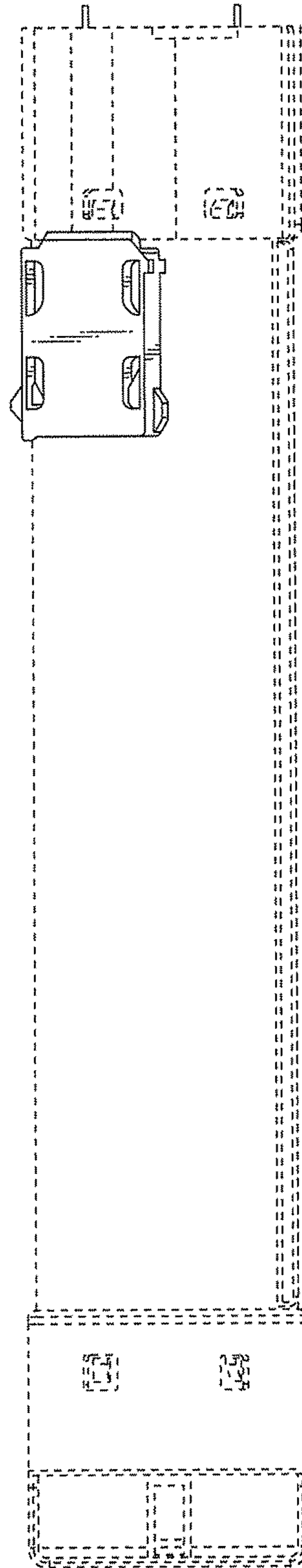


FIG.7

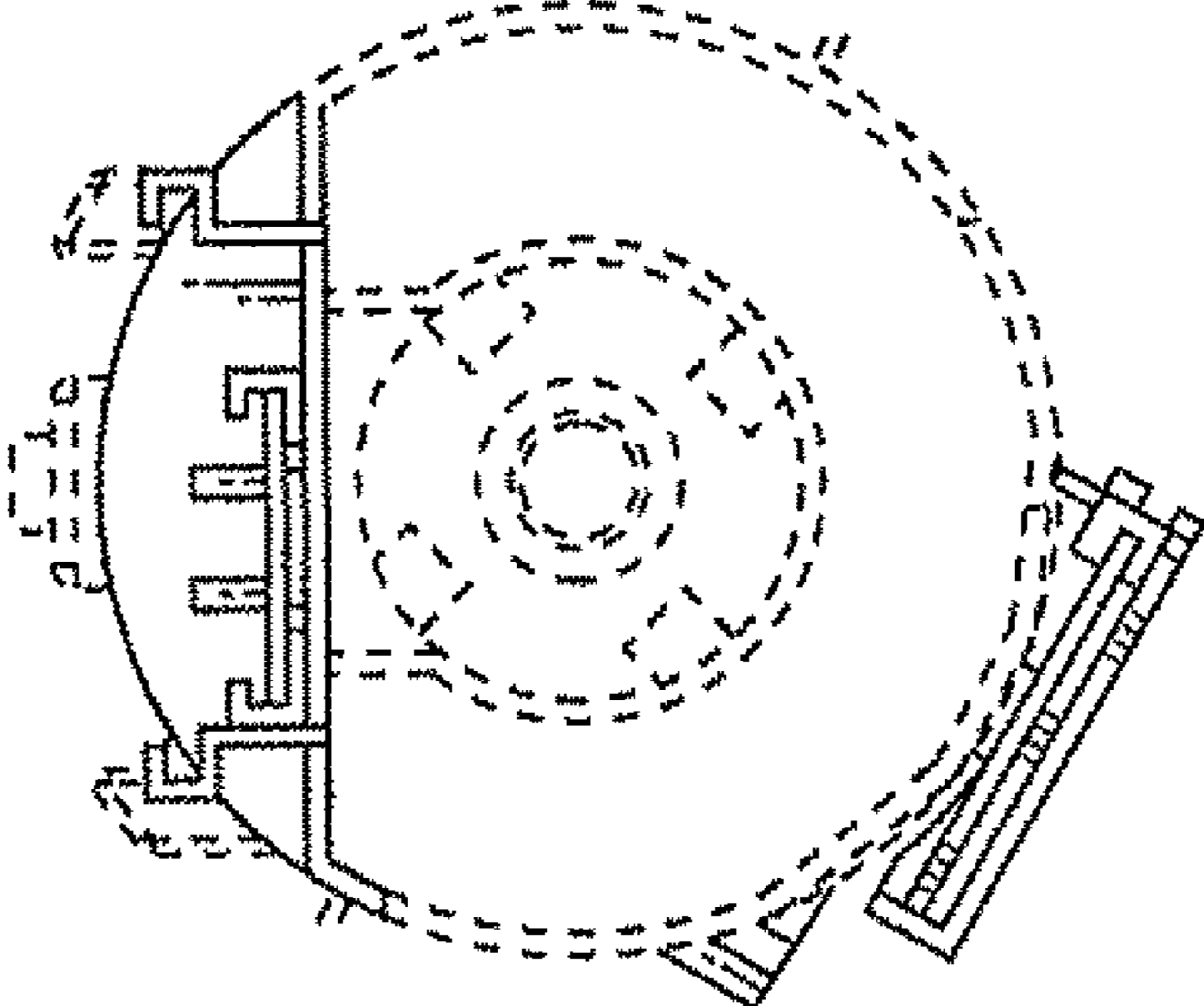


FIG.6

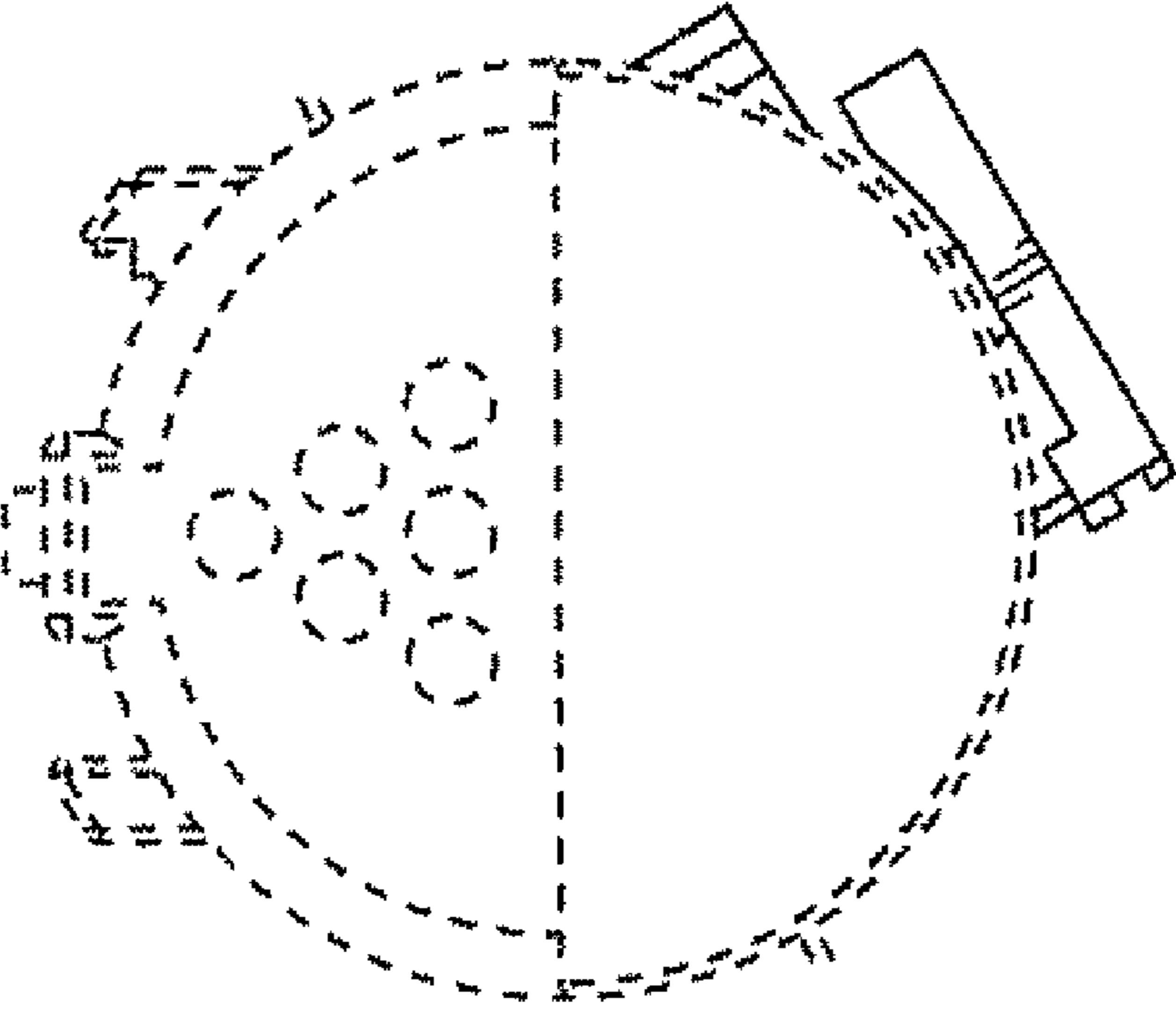


FIG.8

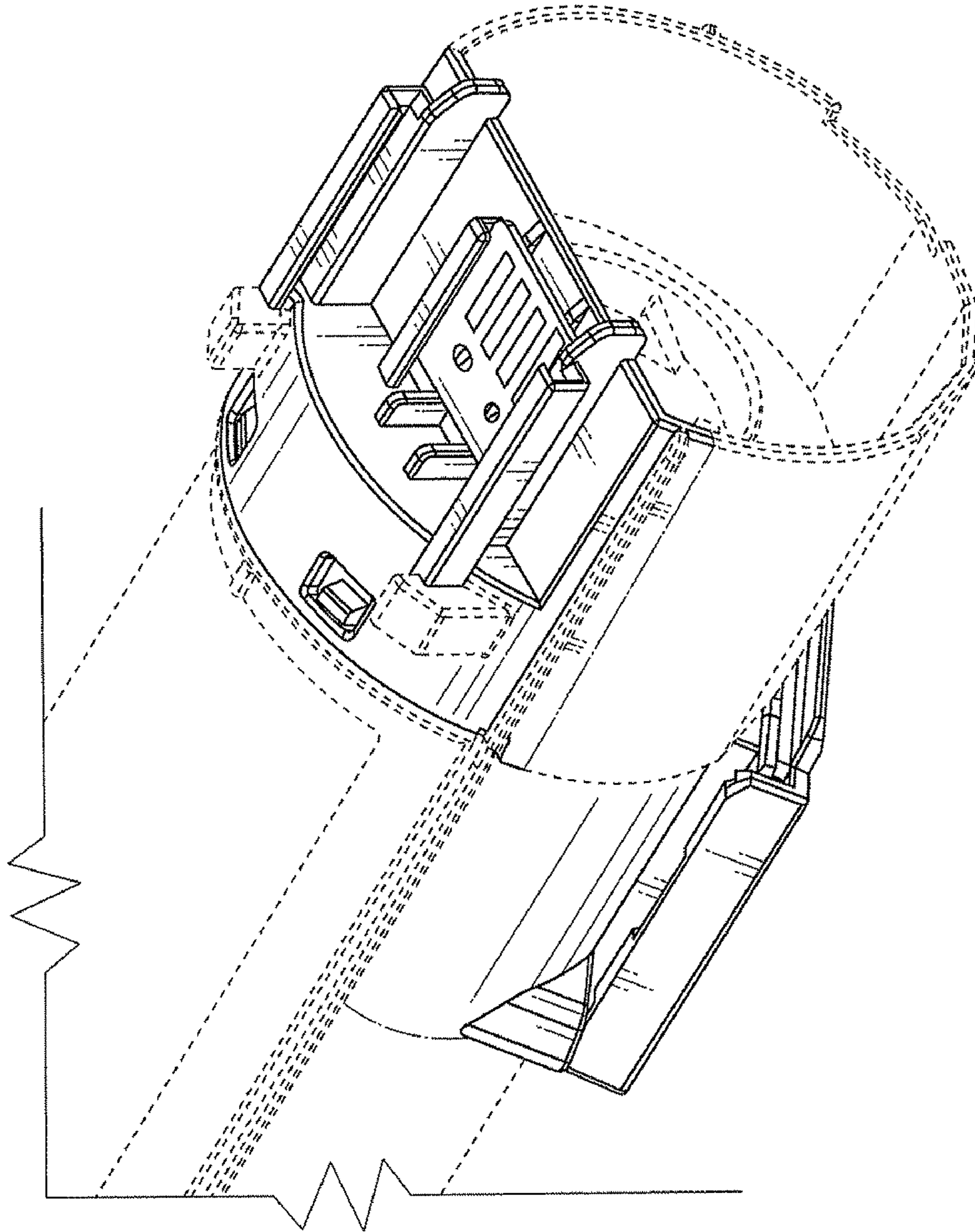


FIG.9

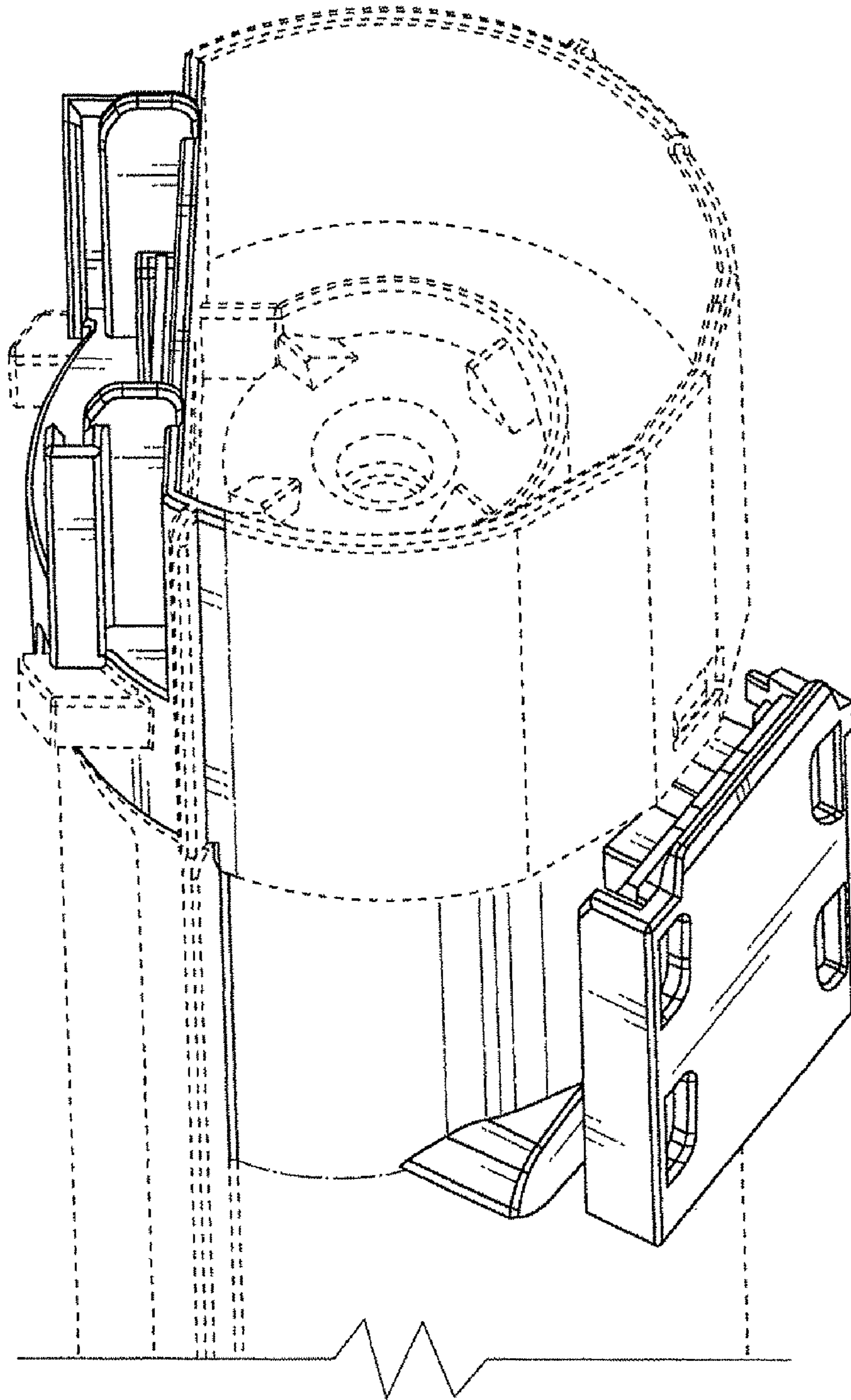


FIG.10

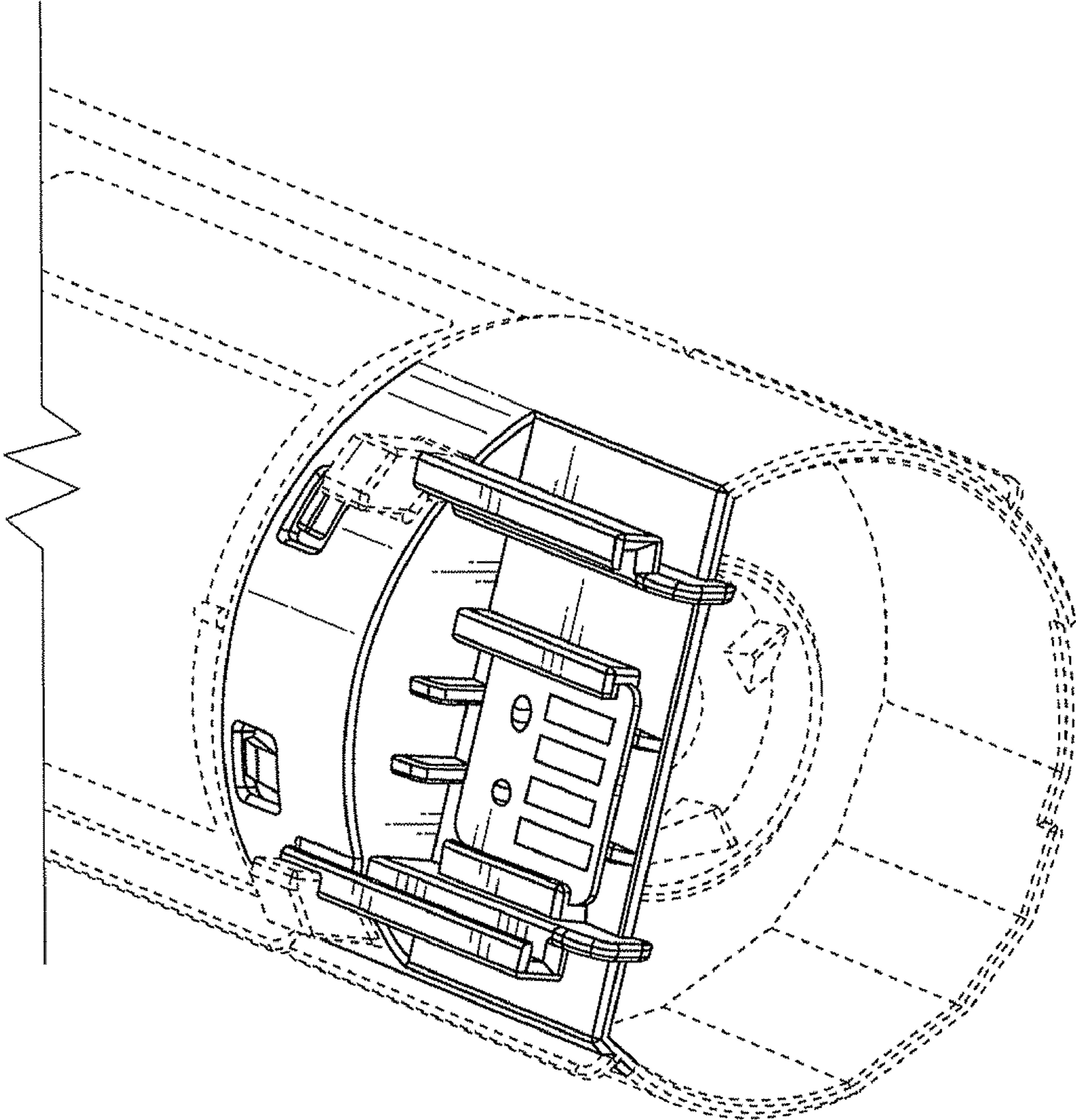


FIG.11

