



US00D630242S

(12) **United States Design Patent**
Burton et al.

(10) **Patent No.:** **US D630,242 S**

(45) **Date of Patent:** **** Jan. 4, 2011**

(54) **PHOTO BINDER**

7,354,232 B1 * 4/2008 Yeaple 412/33
D601,621 S 10/2009 Burton et al.

(75) Inventors: **Jared D. Burton**, Payson, UT (US);
James T. Davis, II, Springville, UT (US)

* cited by examiner

(73) Assignee: **Provo Craft and Novelty, Inc.**, South
Jordan, UT (US)

Primary Examiner—Charles A Rademaker

(74) *Attorney, Agent, or Firm*—Honigman Miller Schwartz
and Cohn LLP

(**) Term: **14 Years**

(57) **CLAIM**

(21) Appl. No.: **29/345,030**

The ornamental design for photo binder, as shown and
described.

(22) Filed: **Oct. 8, 2009**

DESCRIPTION

(51) **LOC (9) Cl.** **18-02**

FIG. 1 is a front perspective view of a photo binder showing
our new design;

(52) **U.S. Cl.** **D18/34.1**

FIG. 2 is a front elevation thereof;

(58) **Field of Classification Search** D18/15-19,
D18/50, 7, 34.1, 34.2; 400/462-470, 613.1-613.4;
156/384, DIG. 48, DIG. 49, 908; D19/68;
412/37, 33, 900; 118/681

FIG. 3 is a rear elevation thereof;

FIG. 4 is a right side elevation thereof;

See application file for complete search history.

FIG. 5 is a left side elevation thereof;

FIG. 6 is a top plan view thereof;

FIG. 7 is a bottom plan view thereof;

(56) **References Cited**

U.S. PATENT DOCUMENTS

- 4,178,201 A * 12/1979 Power et al. D18/34.1
- D263,970 S * 4/1982 Wiholm D18/34.1
- D288,212 S * 2/1987 Nordgren D18/34.1
- D296,566 S * 7/1988 Hori D18/34.1
- 4,818,168 A * 4/1989 Battisti D18/34.1
- 5,035,561 A * 7/1991 Loibl 412/33
- 5,073,076 A * 12/1991 Parkhill et al. 156/908
- D352,955 S * 11/1994 Nordgren D18/34.1
- RE34,917 E * 4/1995 Parkhill et al. 412/33
- 6,652,210 B1 * 11/2003 Yeaple 412/37
- D497,939 S * 11/2004 Henderson et al. D18/34.2
- 6,908,513 B2 * 6/2005 Henke 118/681

FIG. 8 is a front perspective view of a modified embodiment
of the design shown in FIGS. 1 through 7;

FIG. 9 is a front perspective view thereof;

FIG. 10 is a rear elevation thereof;

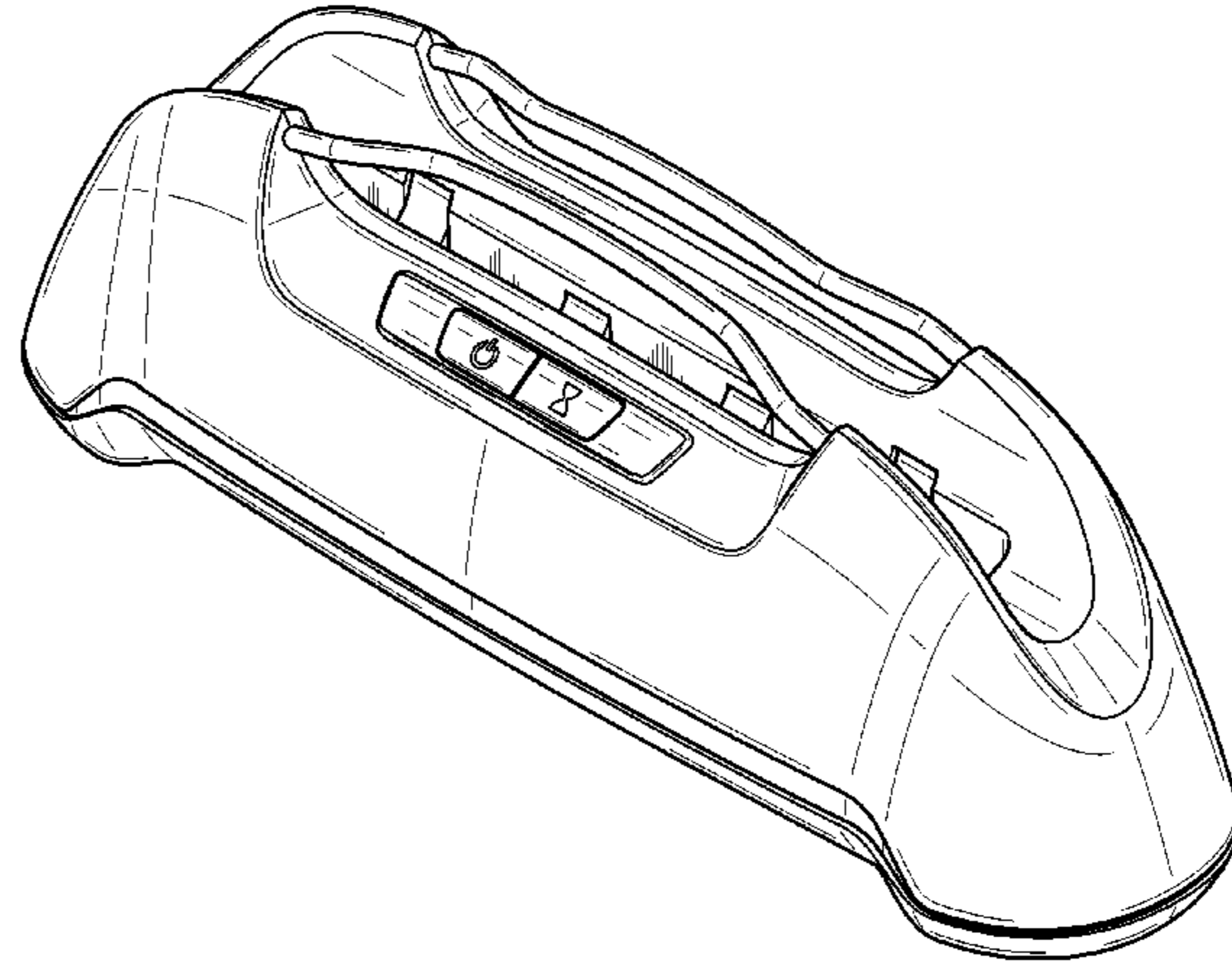
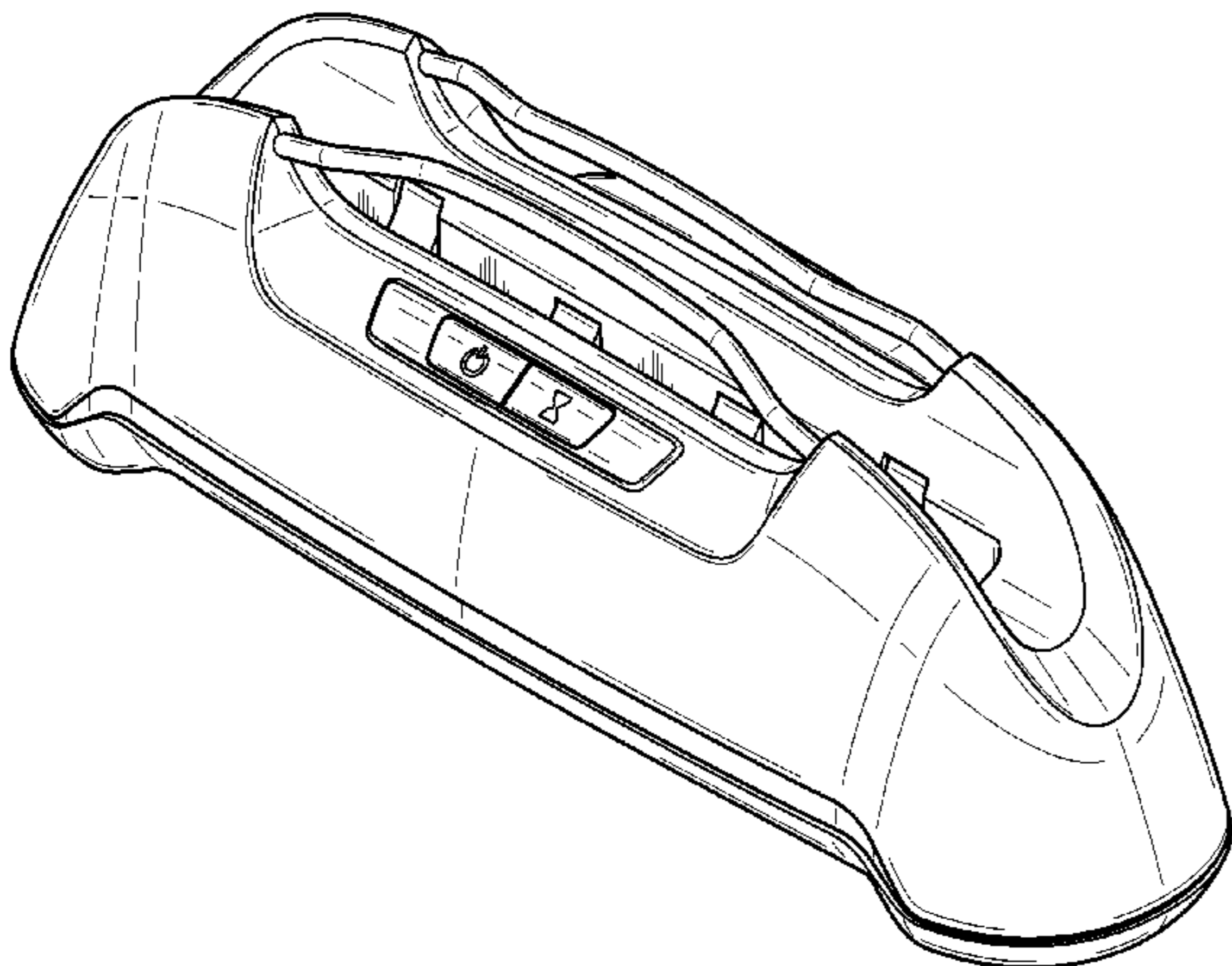
FIG. 11 is a right side elevation thereof;

FIG. 12 is a left side elevation thereof;

FIG. 13 is top plan thereof; and,

FIG. 14 is a bottom plan thereof.

1 Claim, 12 Drawing Sheets



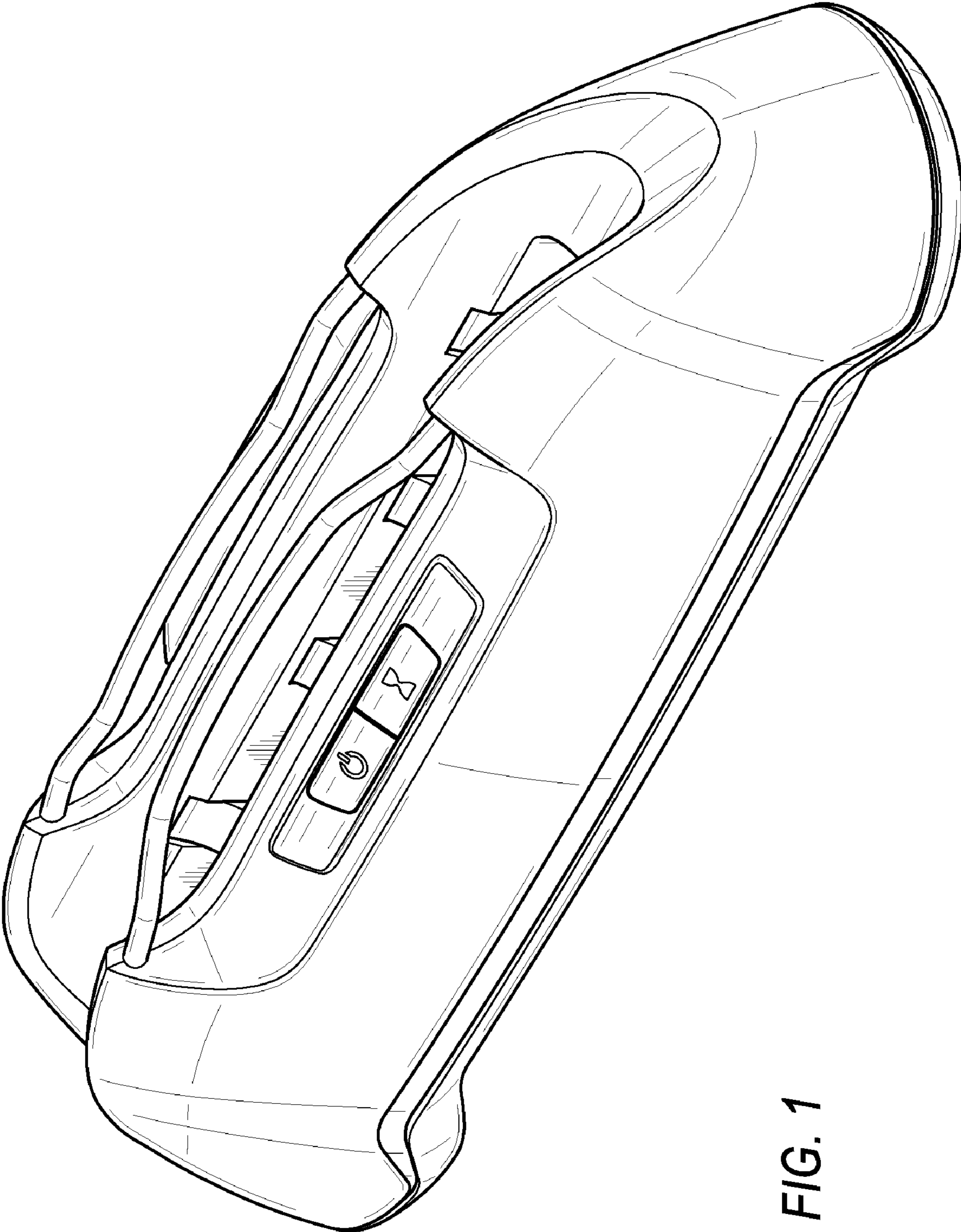


FIG. 1

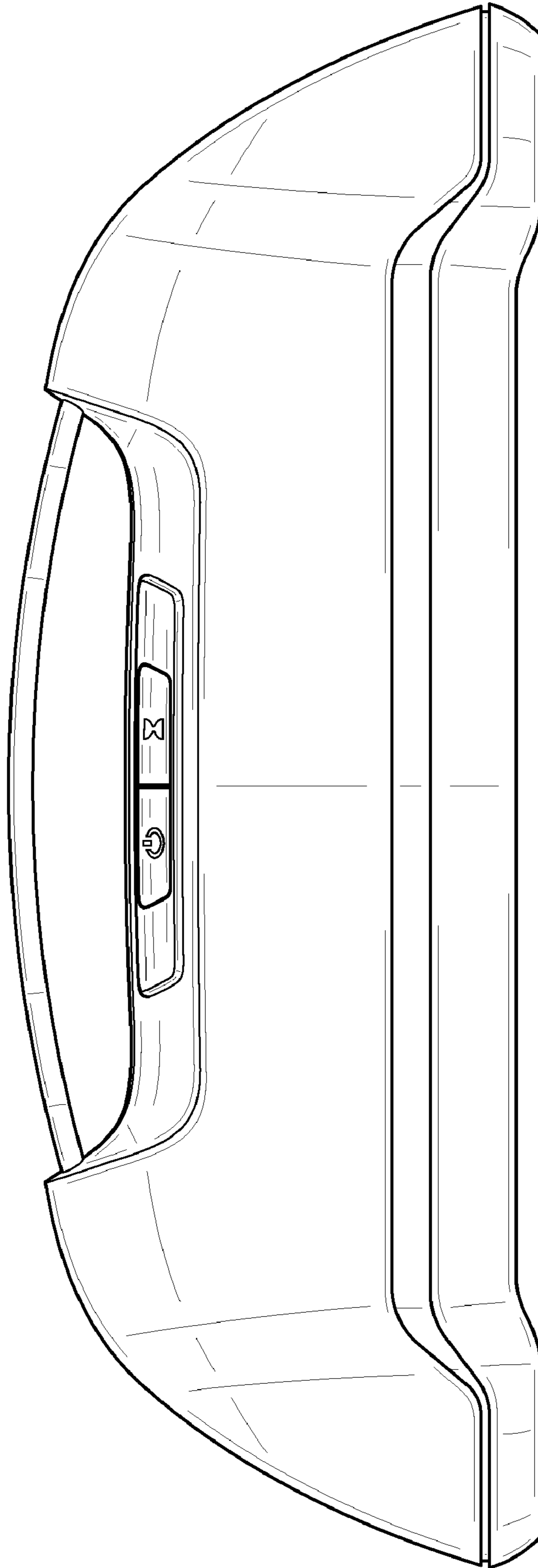


FIG. 2

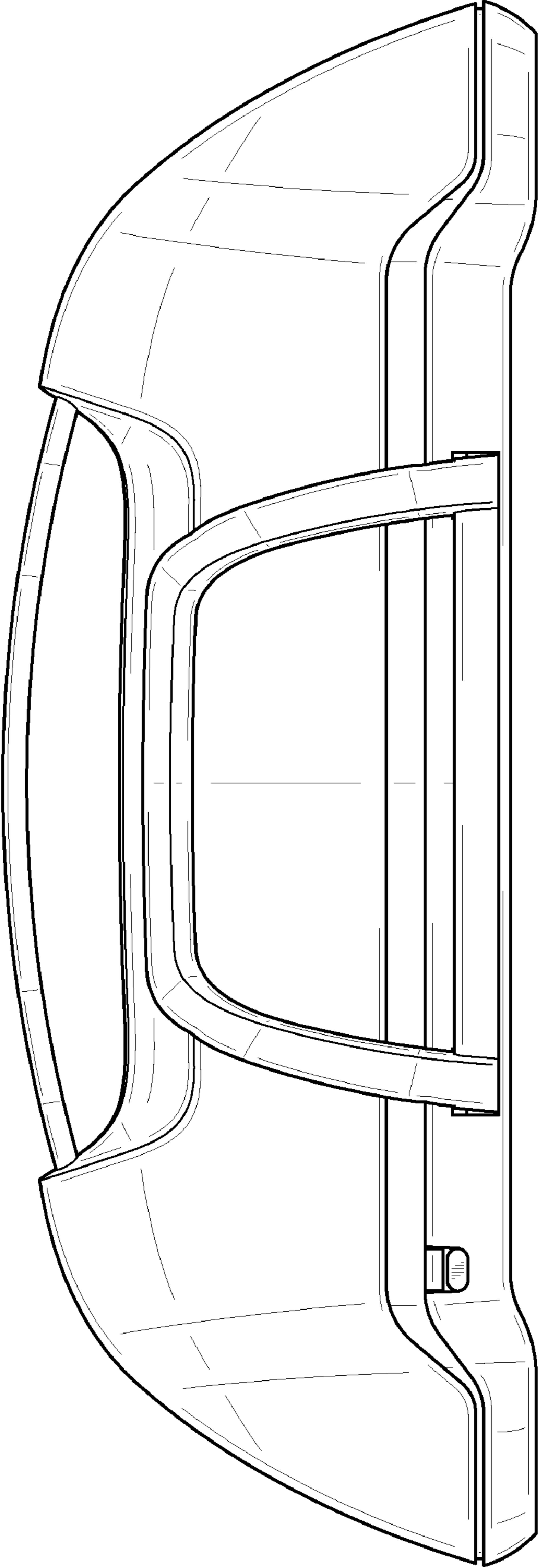


FIG. 3

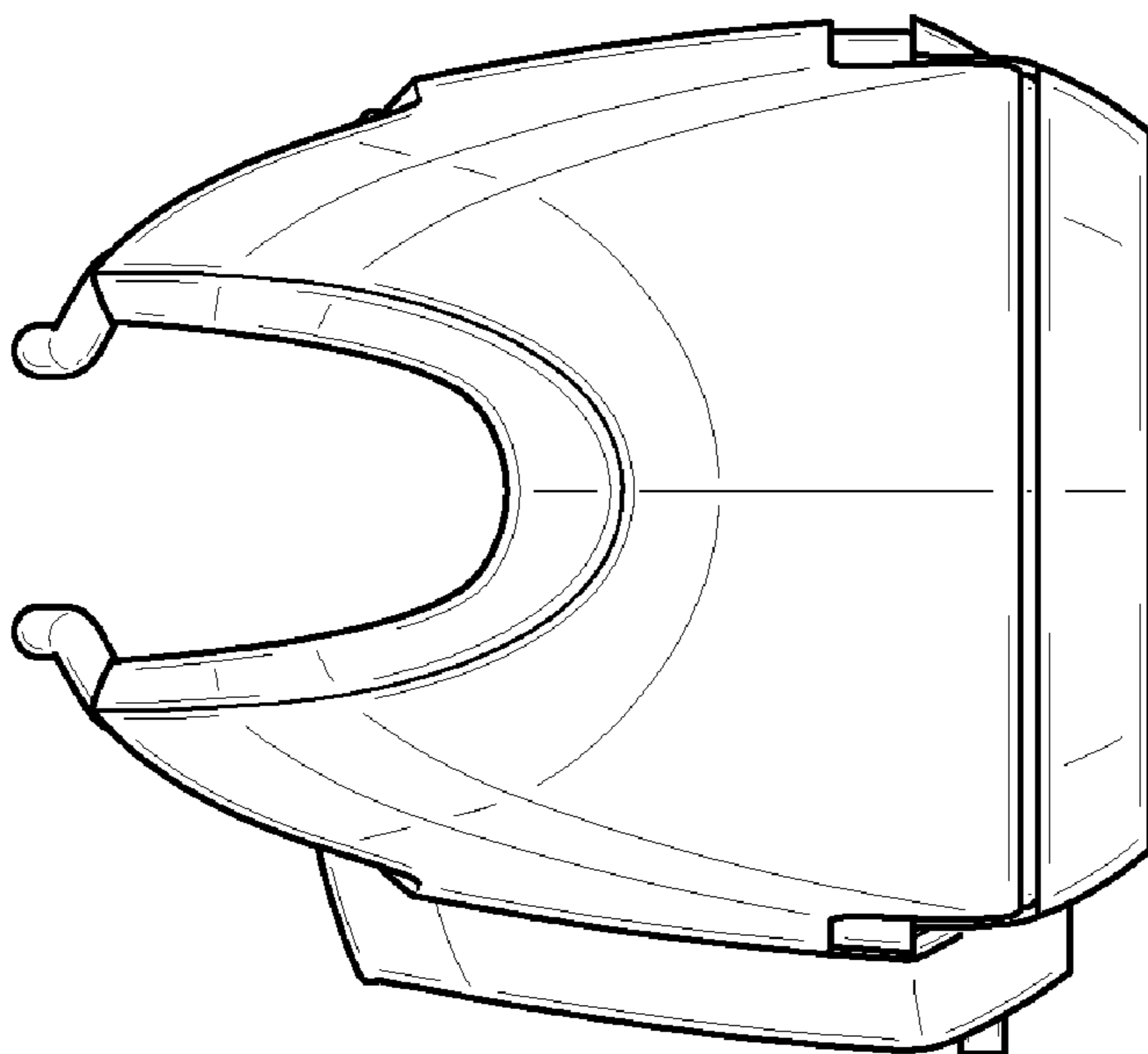


FIG. 5

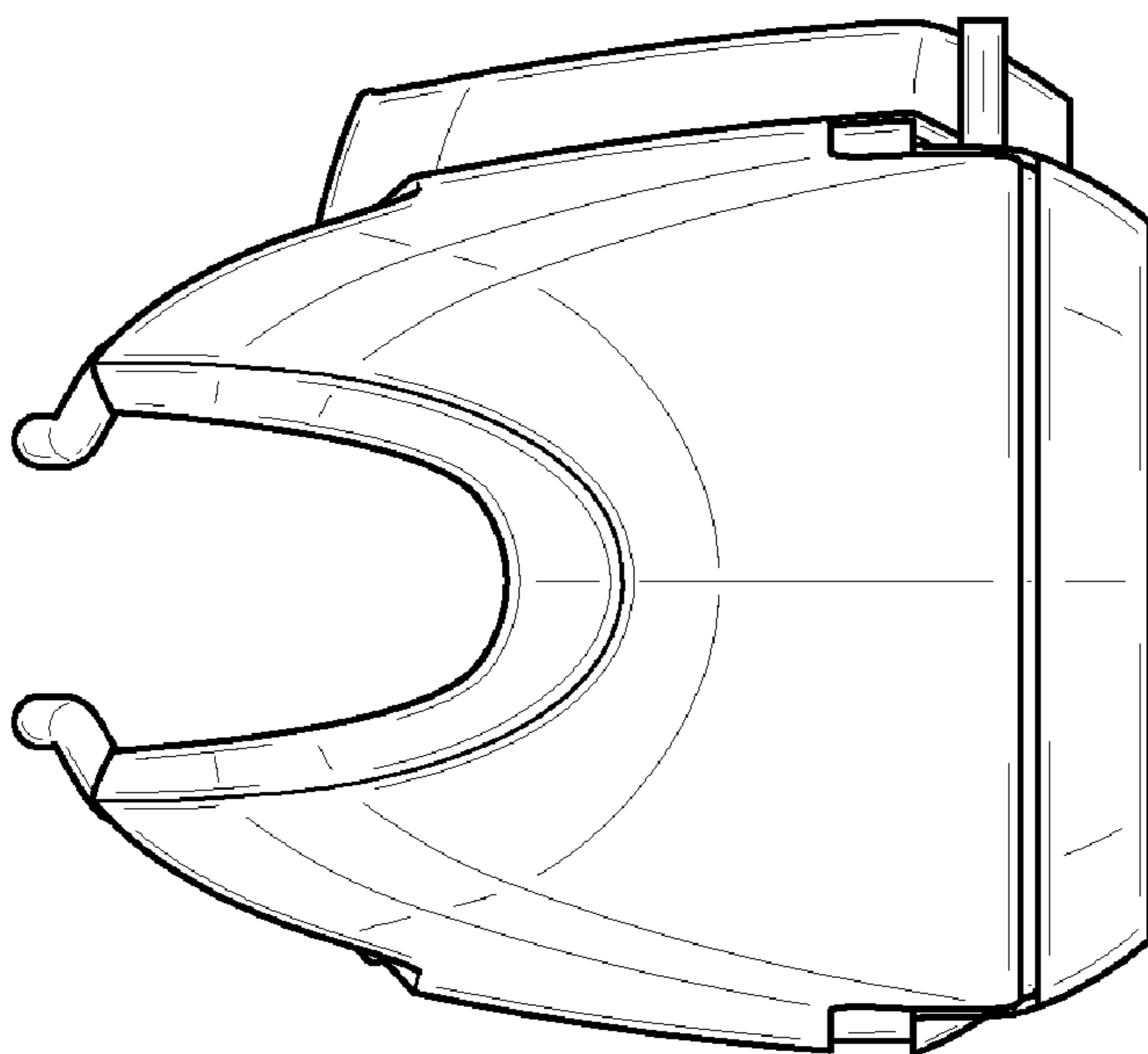


FIG. 4

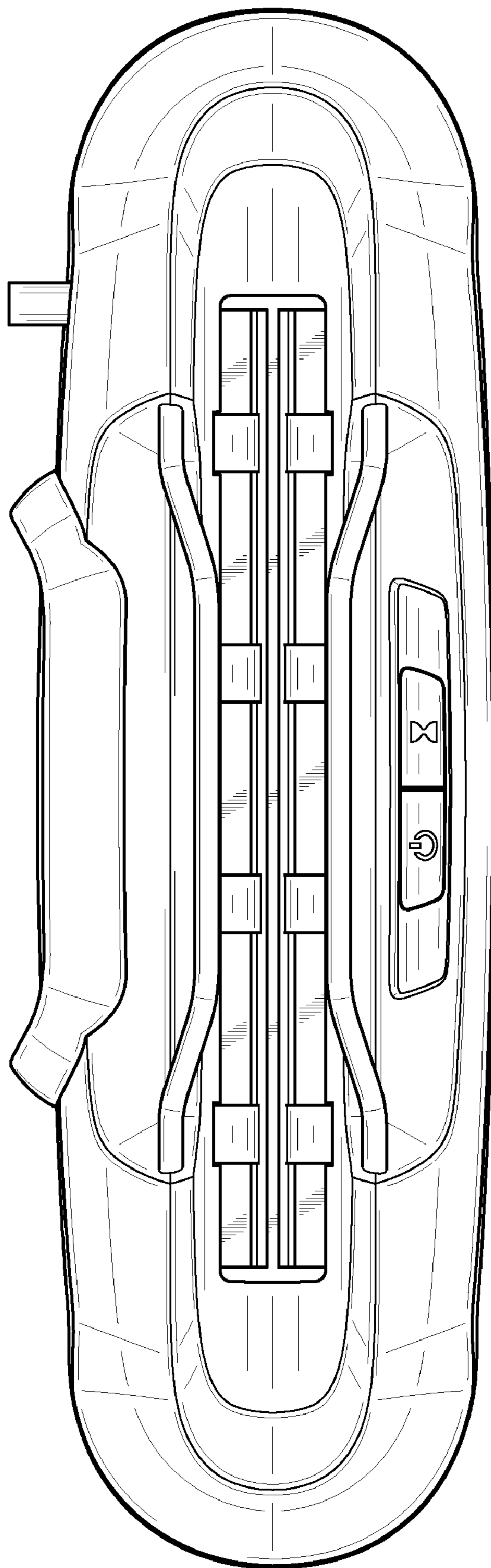


FIG. 6

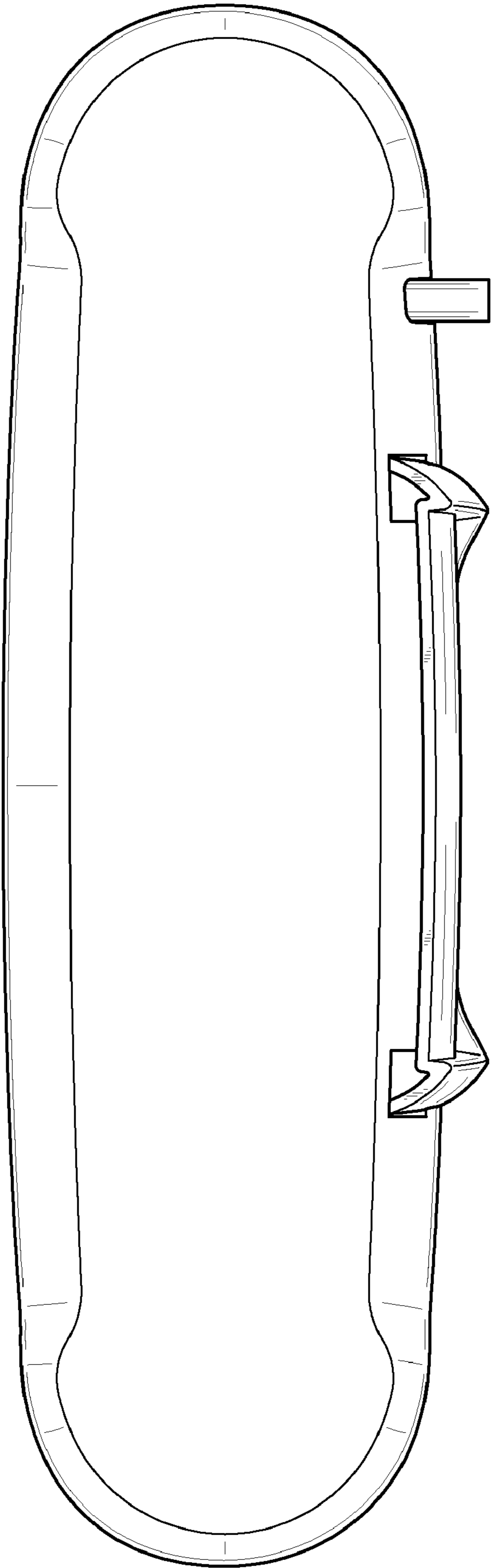


FIG. 7

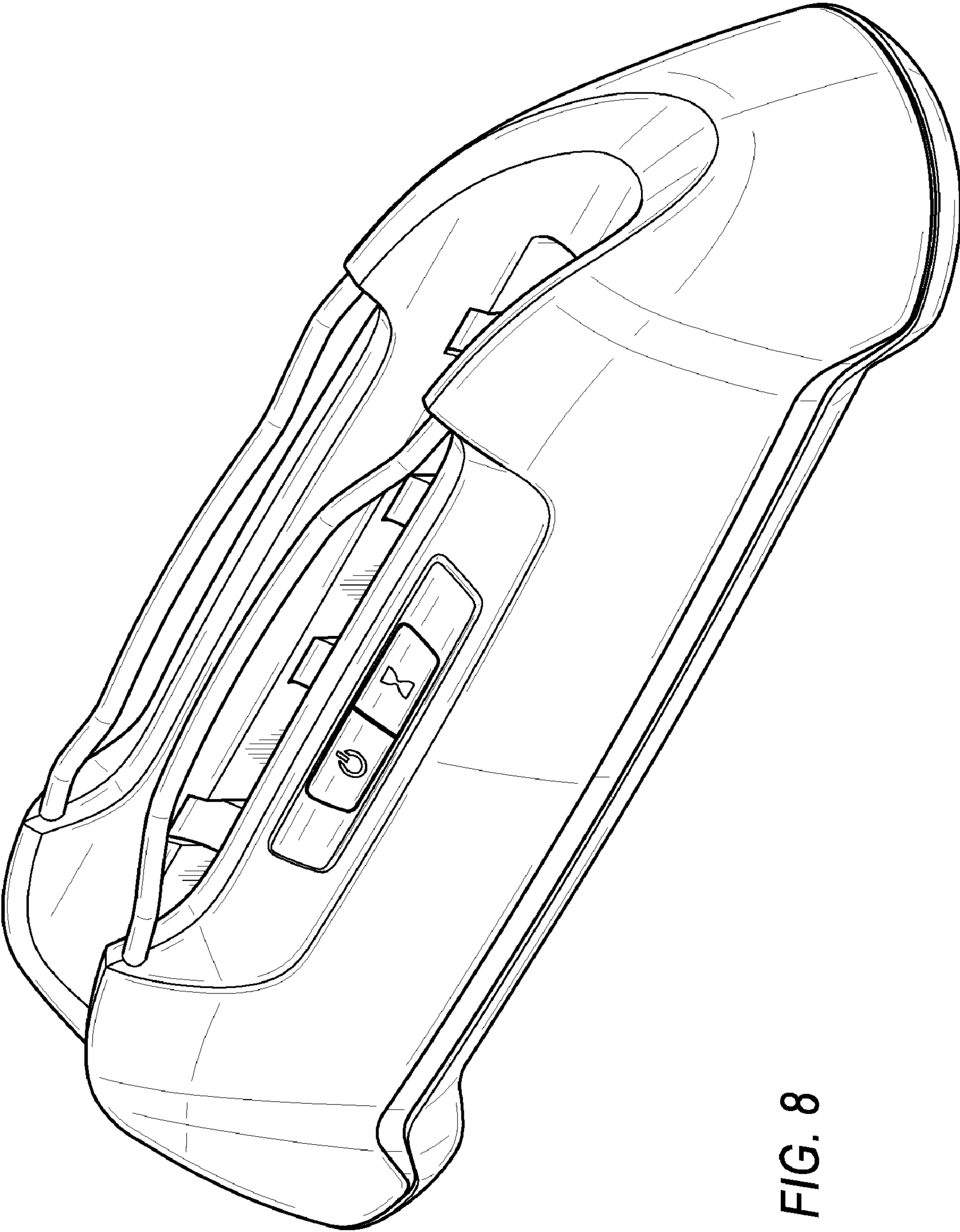


FIG. 8

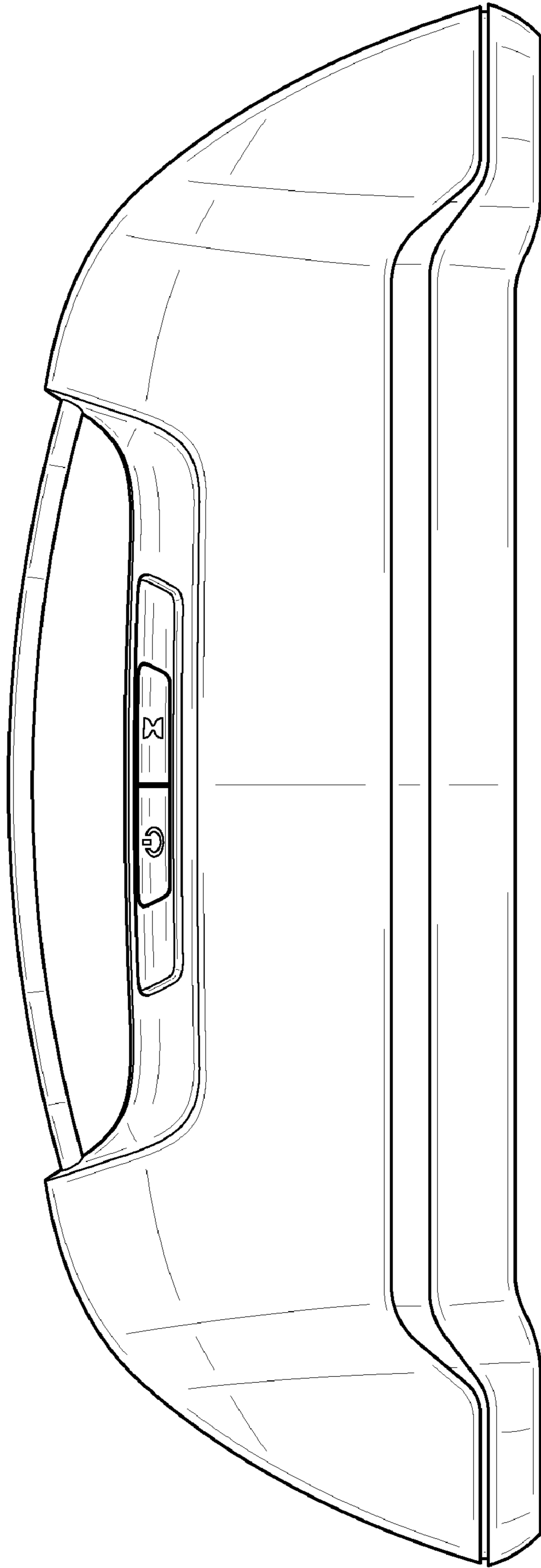


FIG. 9

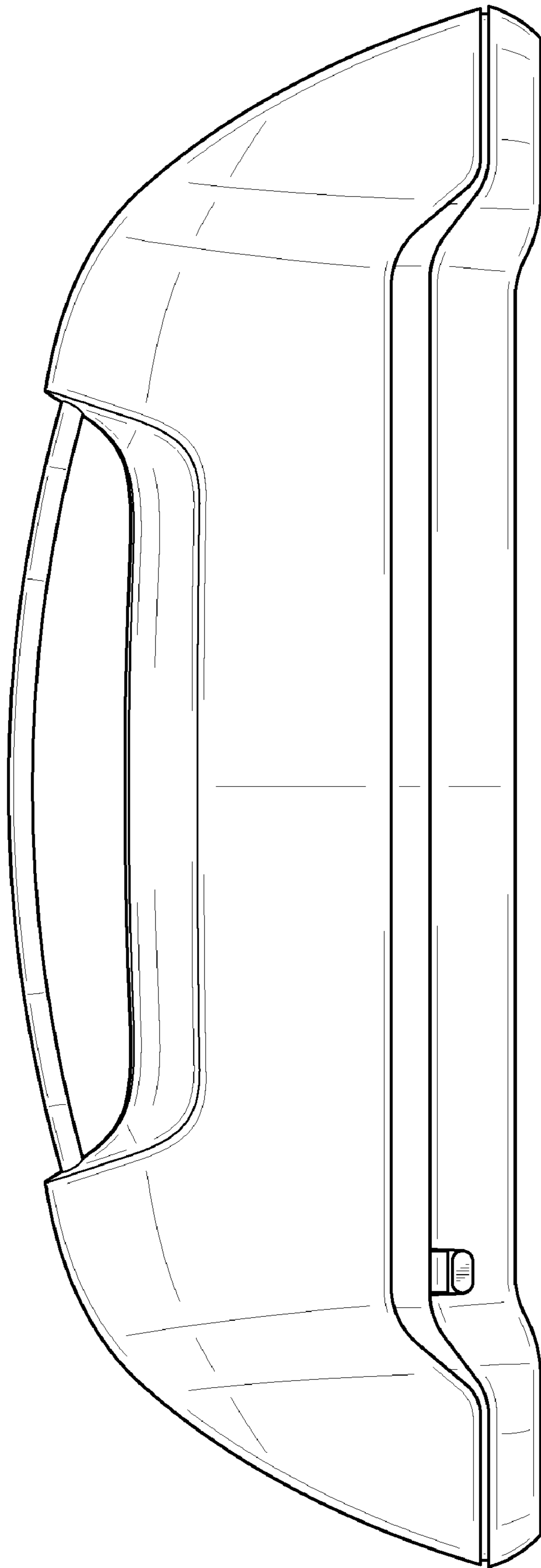


FIG. 10

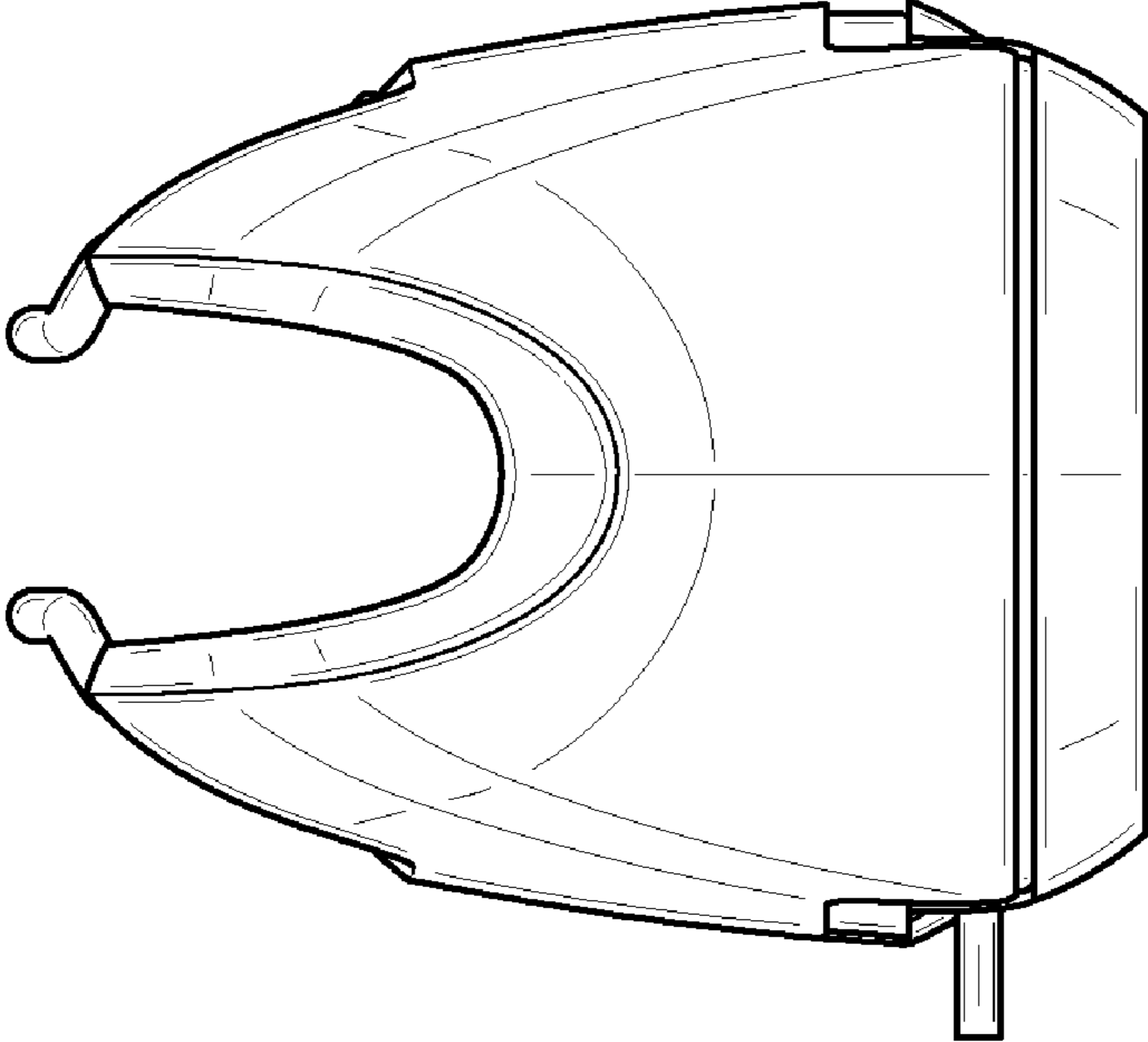


FIG. 11

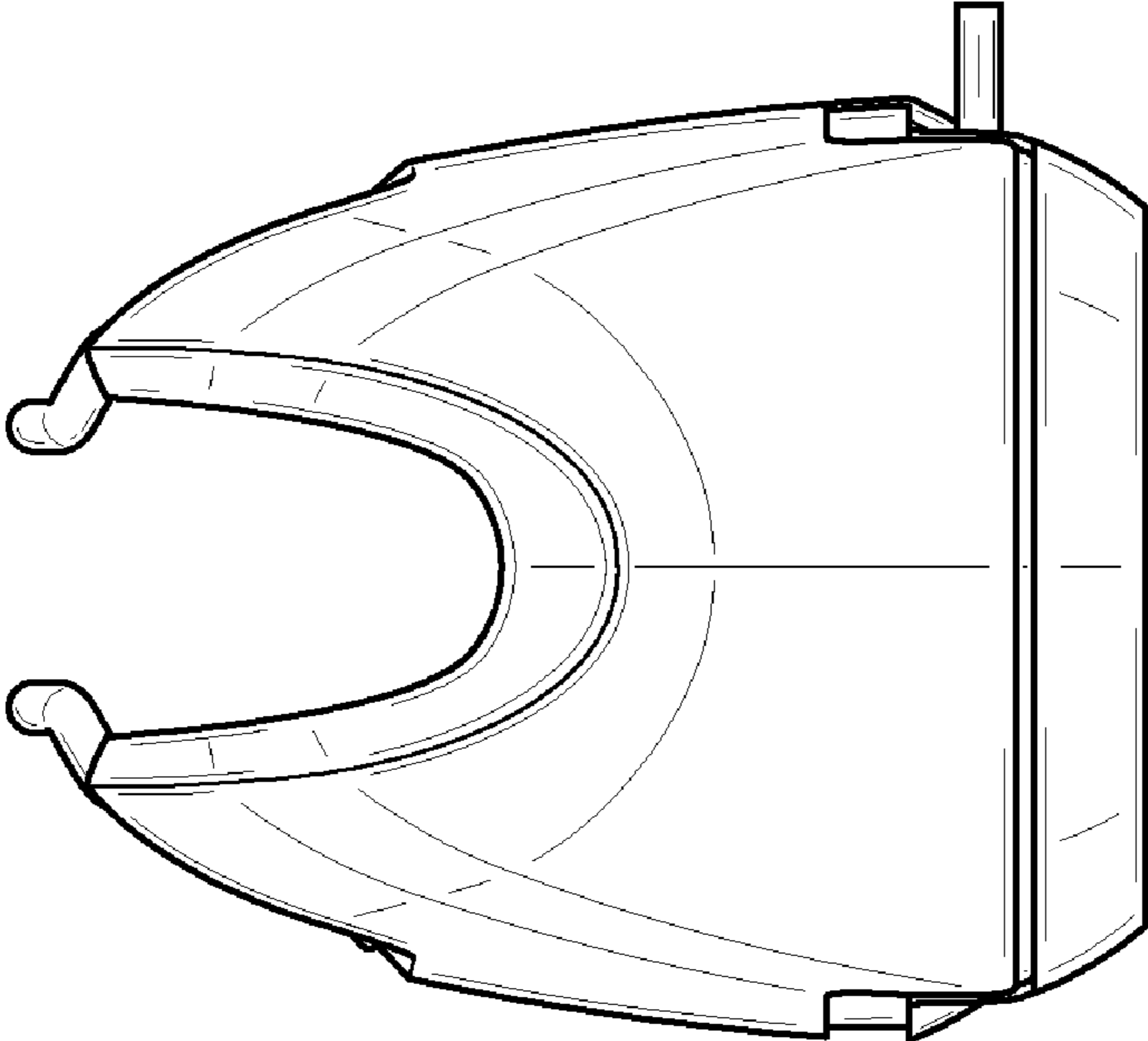


FIG. 12

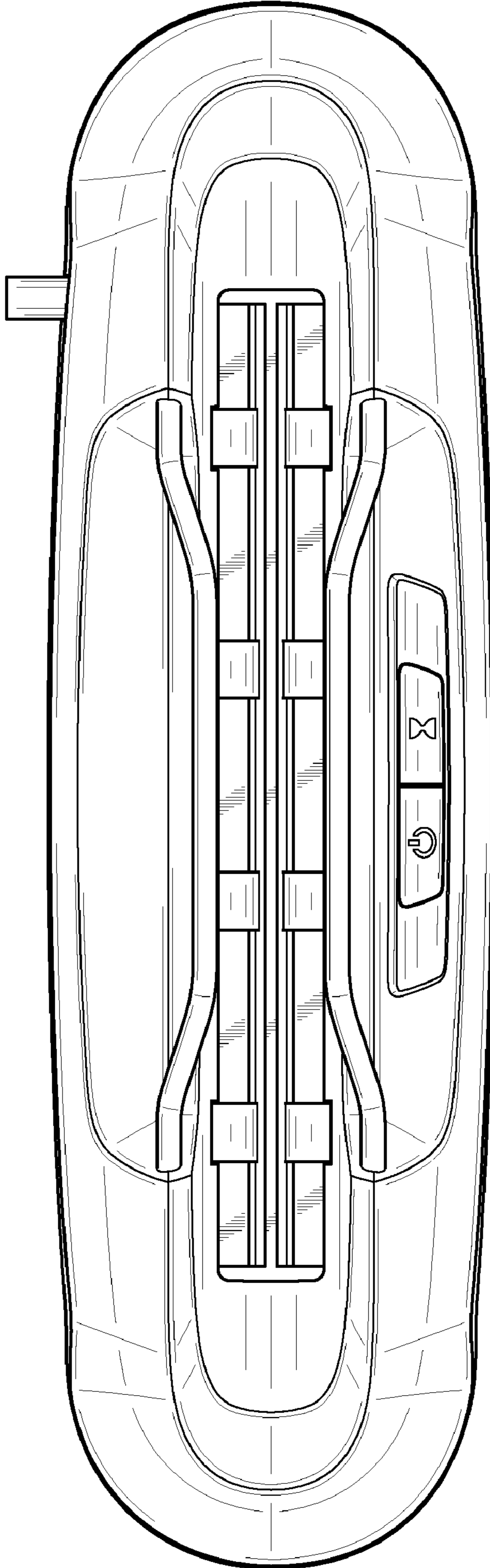


FIG. 13

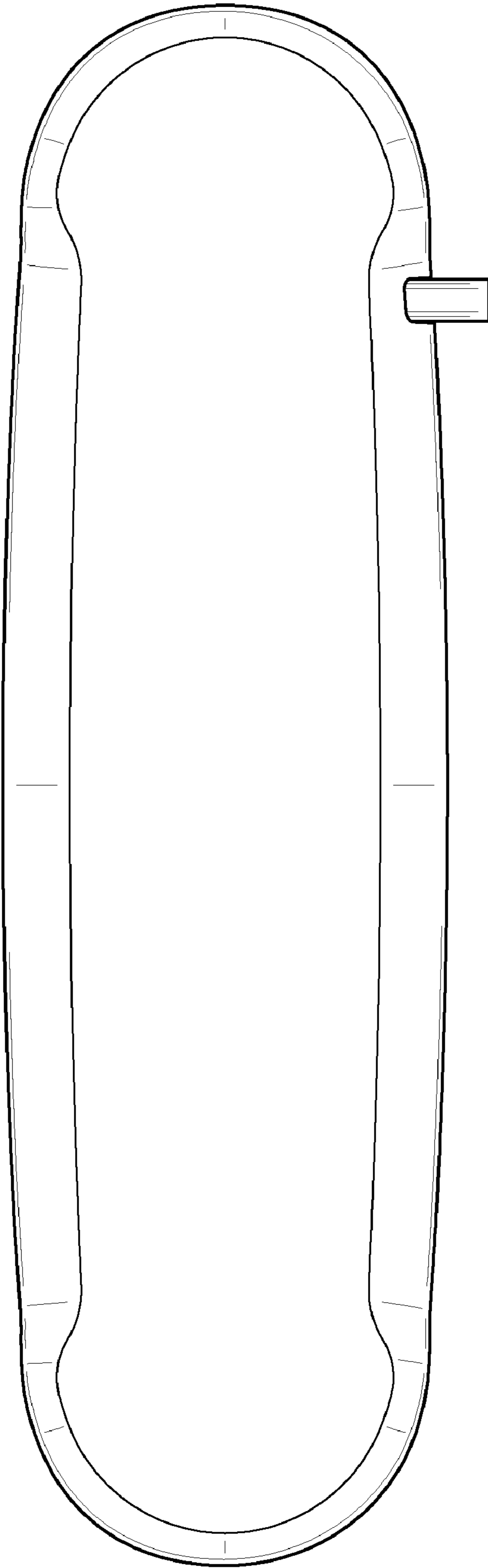


FIG. 14