



US00D630240S

(12) **United States Design Patent**
Torbitt

(10) **Patent No.:** **US D630,240 S**
(45) **Date of Patent:** **** Jan. 4, 2011**

(54) **PAN AND TILT HEAD SUPPORTING A VIDEO/CINE CAMERA ON A STAND**

7,287,731 B2 * 10/2007 Johnson 248/183.3

(75) **Inventor:** **Jolyon Francis Torbitt**, Bury St Edmunds (GB)

(73) **Assignee:** **The Vitec Group PLC**, Surrey (GB)

(**) **Term:** **14 Years**

(21) **Appl. No.:** **29/344,511**

(22) **Filed:** **Sep. 30, 2009**

(30) **Foreign Application Priority Data**

Mar. 30, 2009 (GB) 4010730

(51) **LOC (9) Cl.** **16-05**

(52) **U.S. Cl.** **D16/245**

(58) **Field of Classification Search** D16/242,
D16/244, 245; 248/177.1, 187.1, 188.3;
352/343; 396/419, 428

See application file for complete search history.

(56) **References Cited**

U.S. PATENT DOCUMENTS

277,650 A * 5/1883 Wright 396/419
3,795,378 A * 3/1974 Clarke 248/188.3
D245,988 S * 10/1977 Miller D16/245
4,959,671 A * 9/1990 Ishikawa 396/428
4,979,709 A * 12/1990 Ishikawa 248/187.1
D323,339 S * 1/1992 Ishikawa D16/245
6,513,784 B2 * 2/2003 Lindsay 248/178.1

OTHER PUBLICATIONS

Vinten Broadcast Limited, Vision Lightweight Tripods and Heads, Mar. 1988.

* cited by examiner

Primary Examiner—Adir Aronovich

(74) *Attorney, Agent, or Firm*—McGuireWoods LLP

(57) **CLAIM**

The ornamental design for a pan and tilt head supporting a video/cine camera on a stand, as shown and described.

DESCRIPTION

FIG. 1 is a rear and right side perspective view of a pan and tilt head supporting a video/cine camera on a stand showing my new design;

FIG. 2 is a front and right side perspective view thereof;

FIG. 3 is a front and left side perspective view thereof;

FIG. 4 is a rear and left side perspective view thereof;

FIG. 5 is a right side elevational view thereof;

FIG. 6 is a left side elevational view thereof;

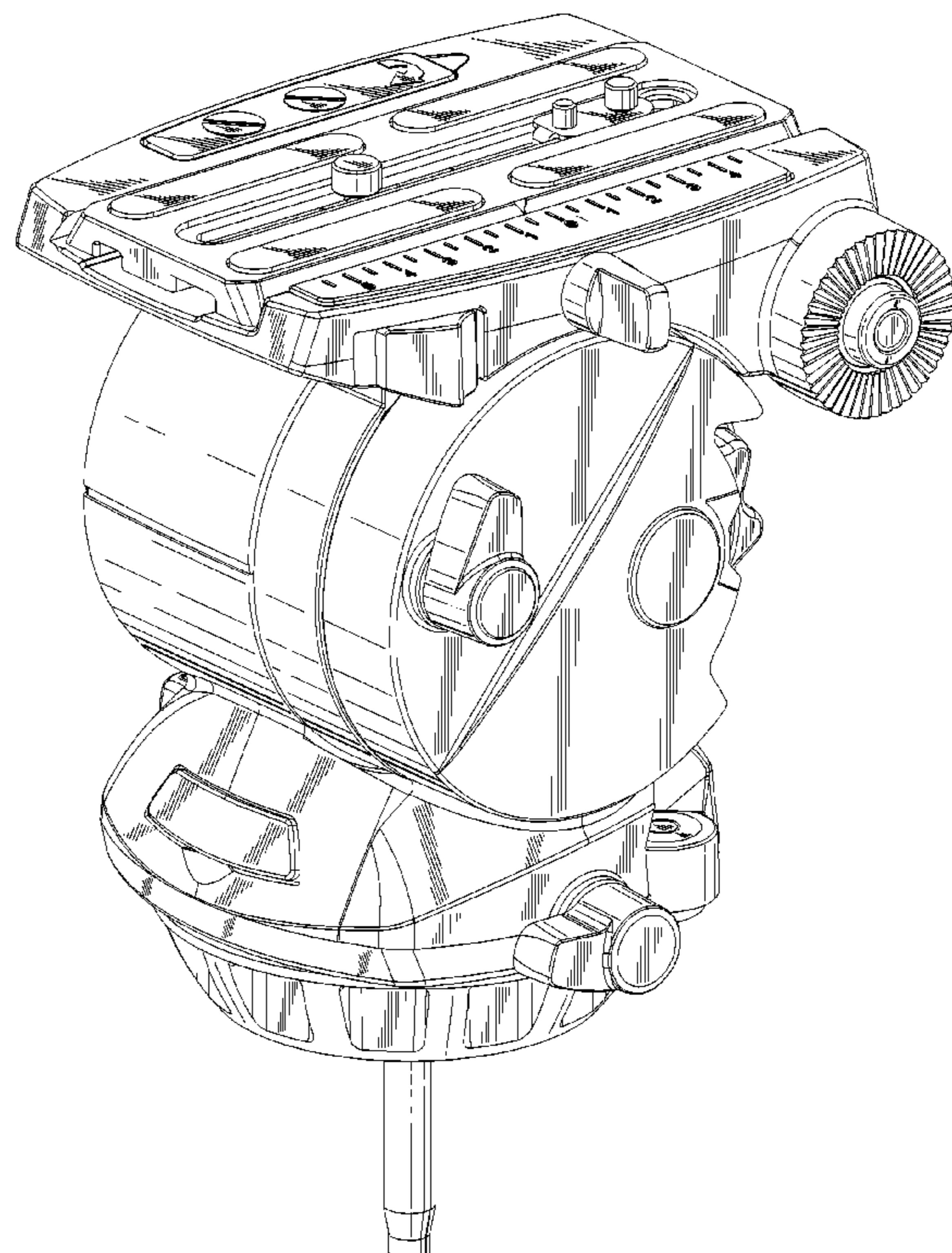
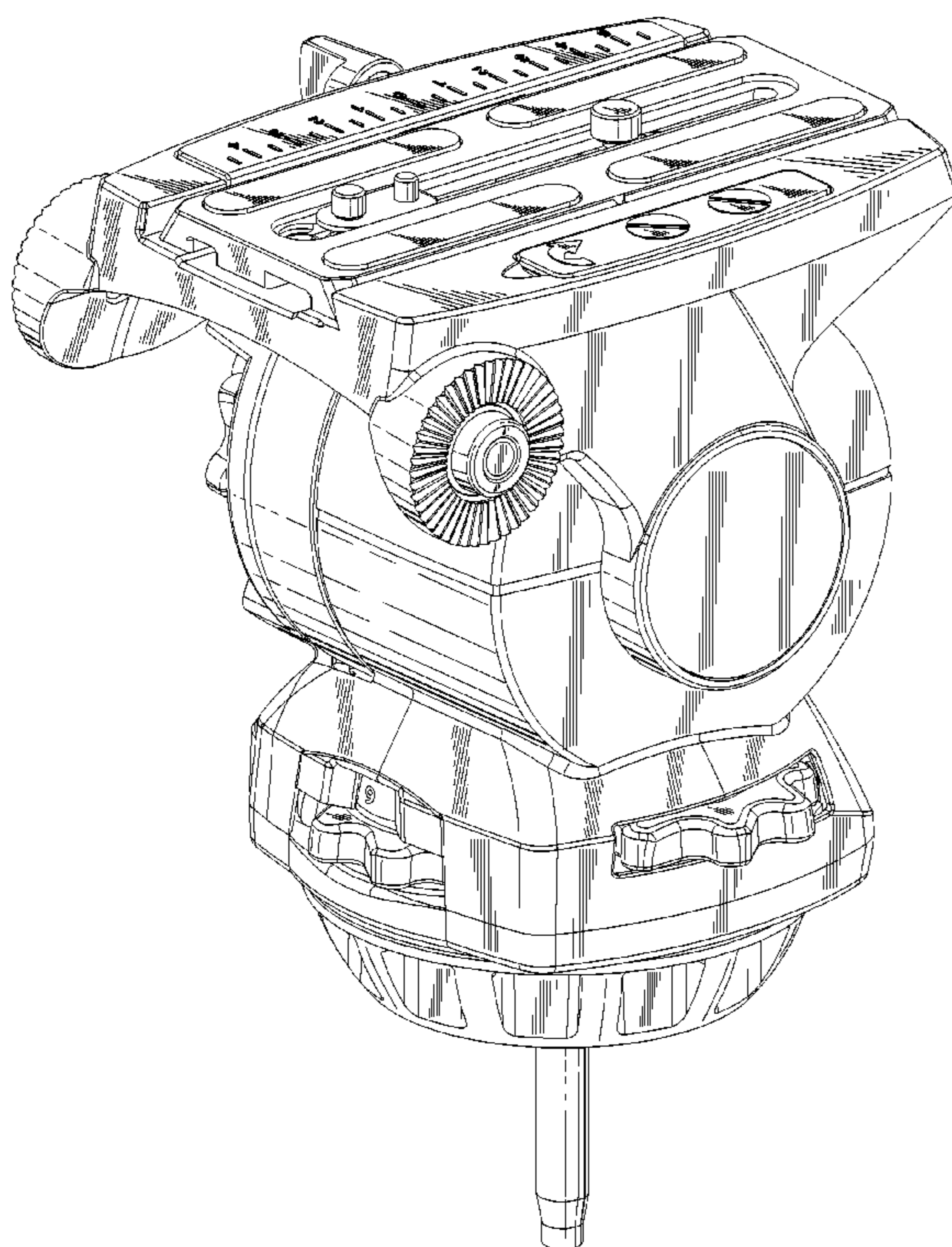
FIG. 7 is a front elevational view thereof;

FIG. 8 is a rear elevational view thereof;

FIG. 9 is a top plan view thereof; and,

FIG. 10 is a bottom plan view thereof.

1 Claim, 10 Drawing Sheets



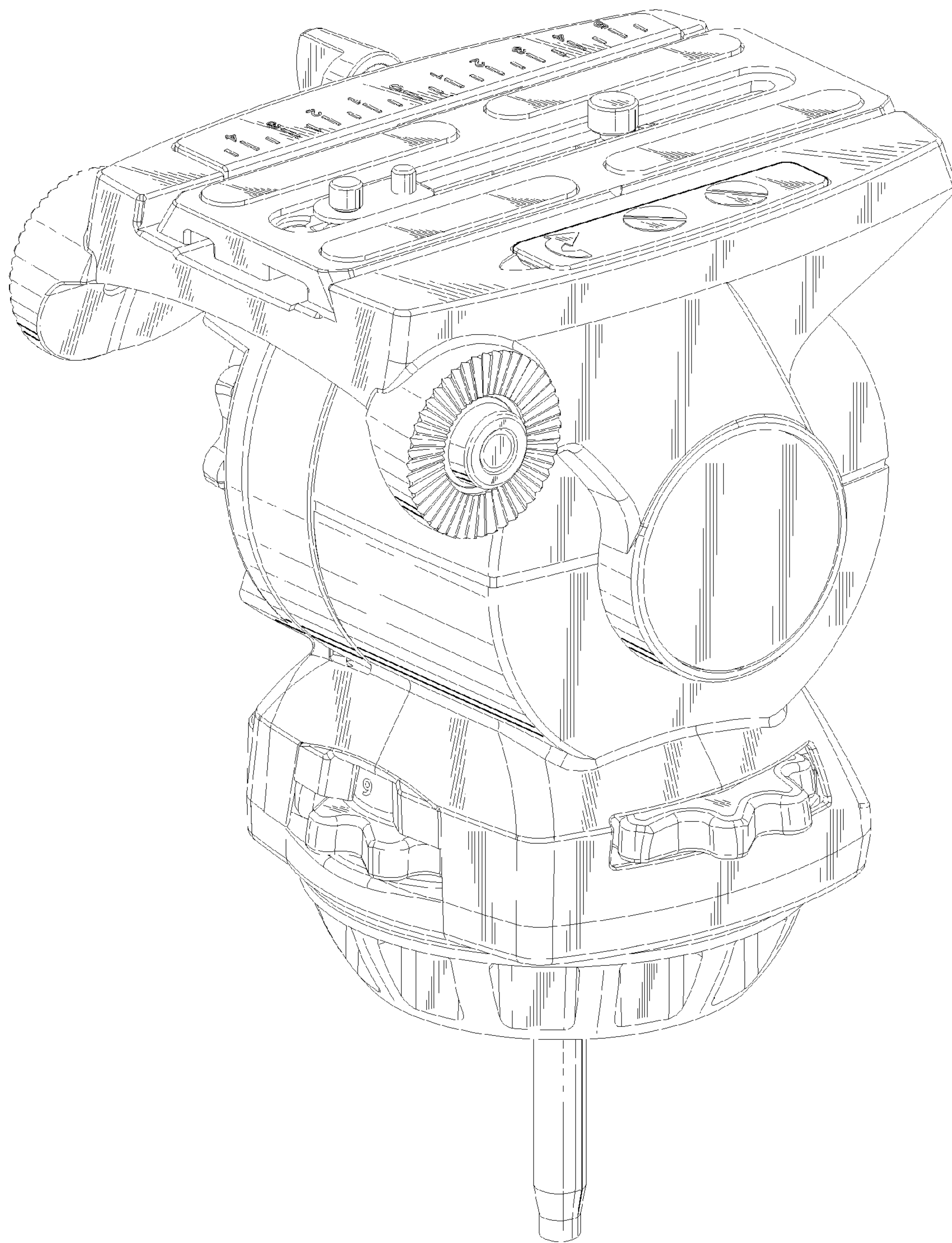


FIG. 1

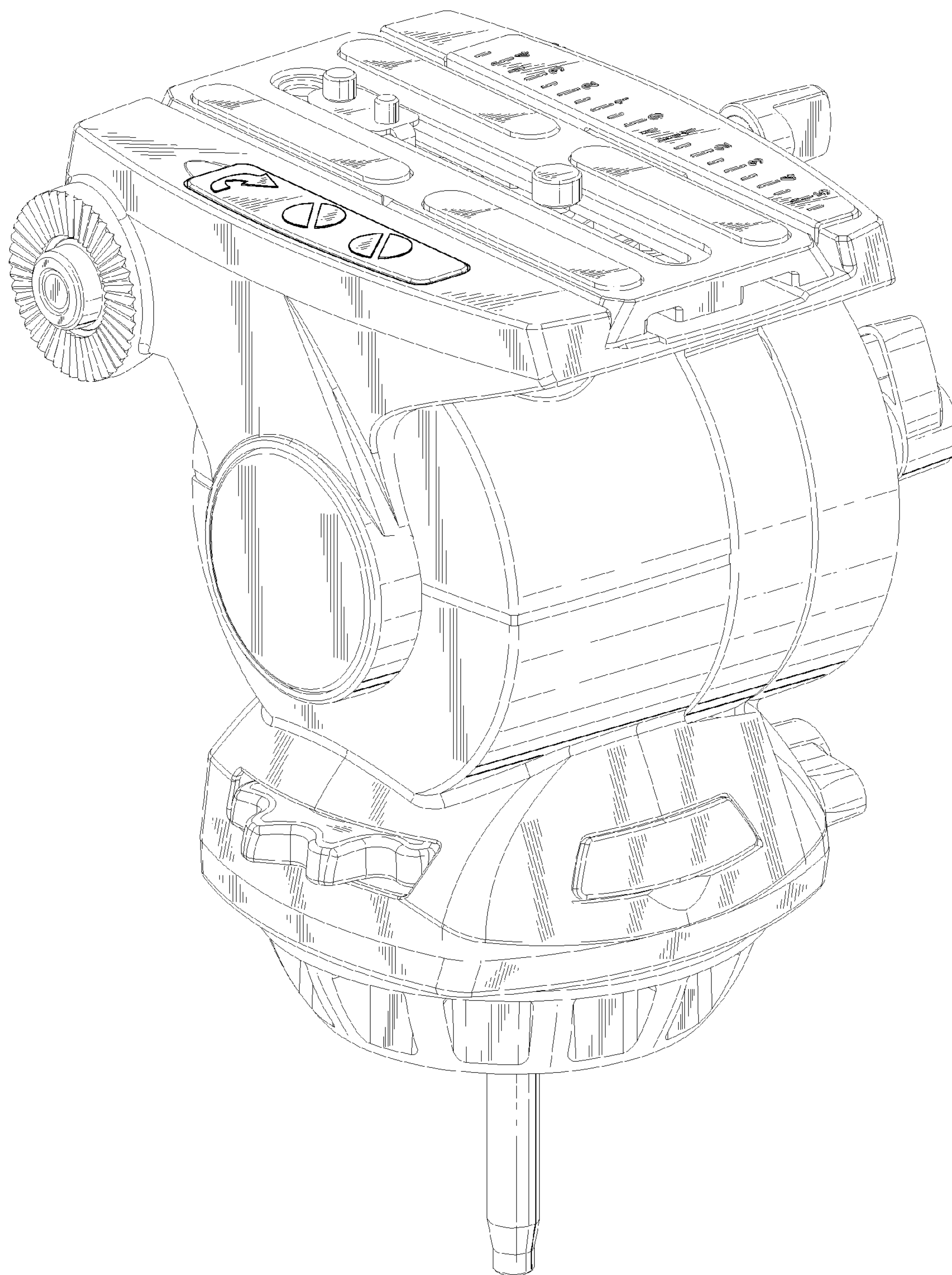


FIG. 2

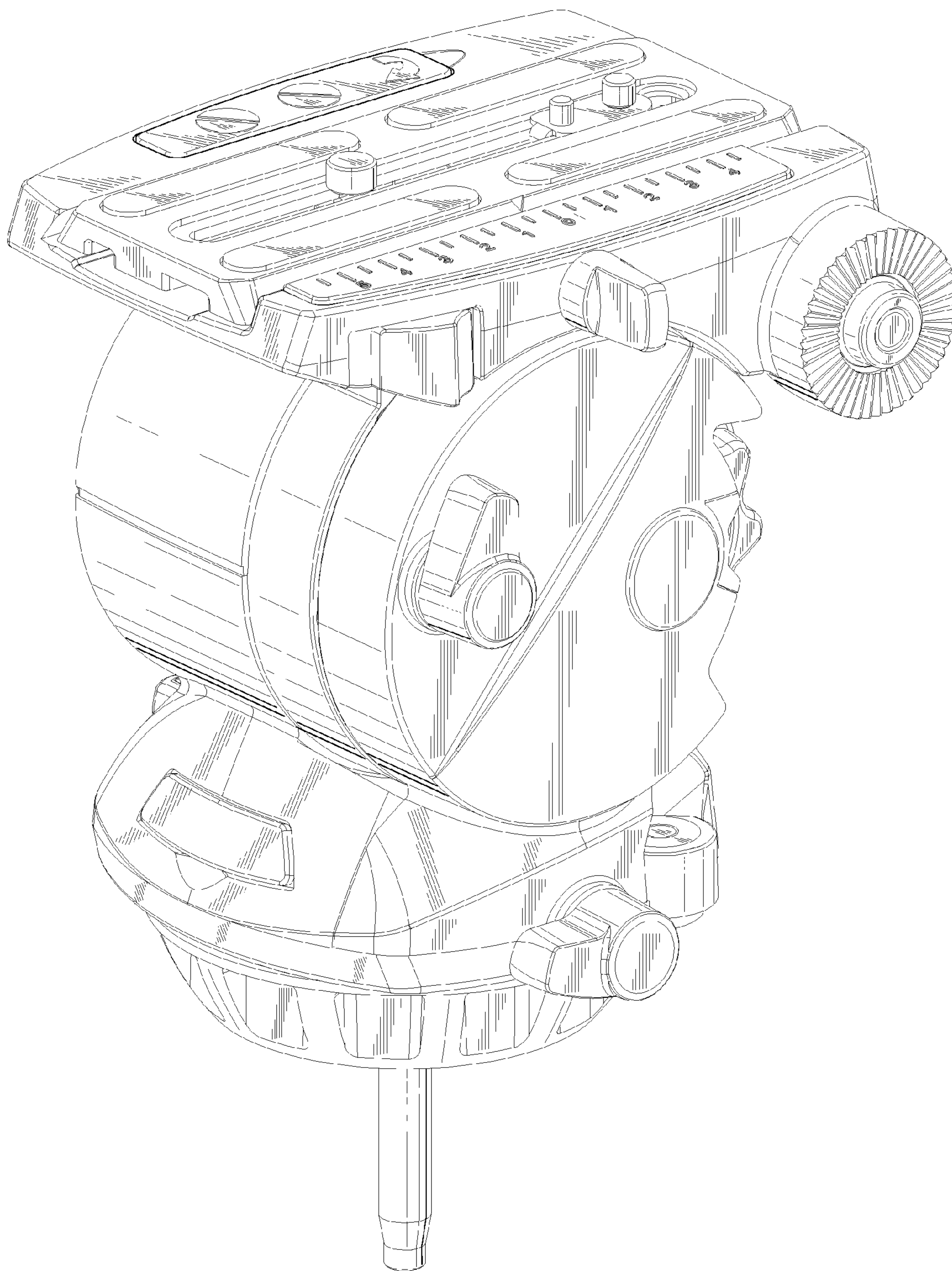


FIG. 3

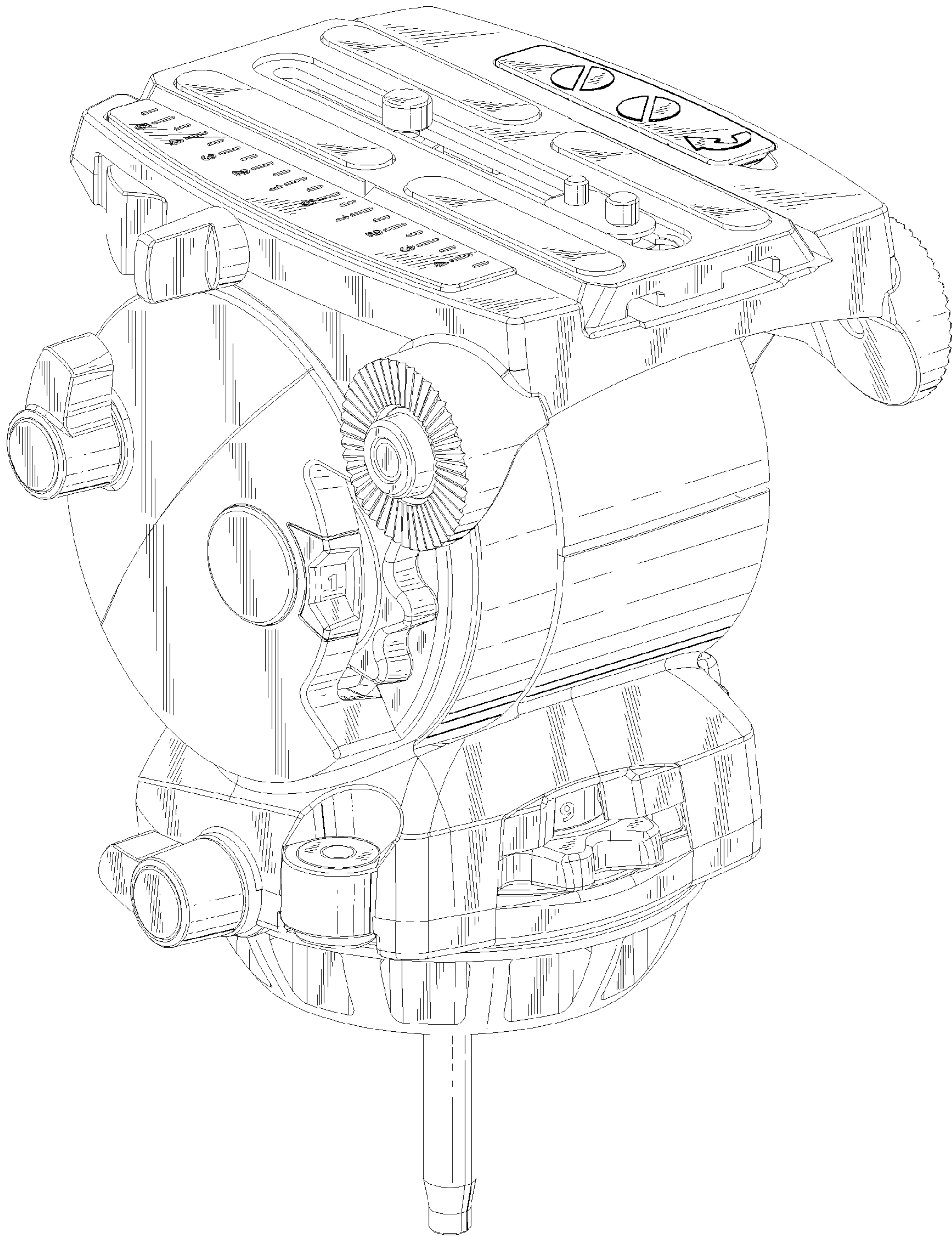


FIG. 4

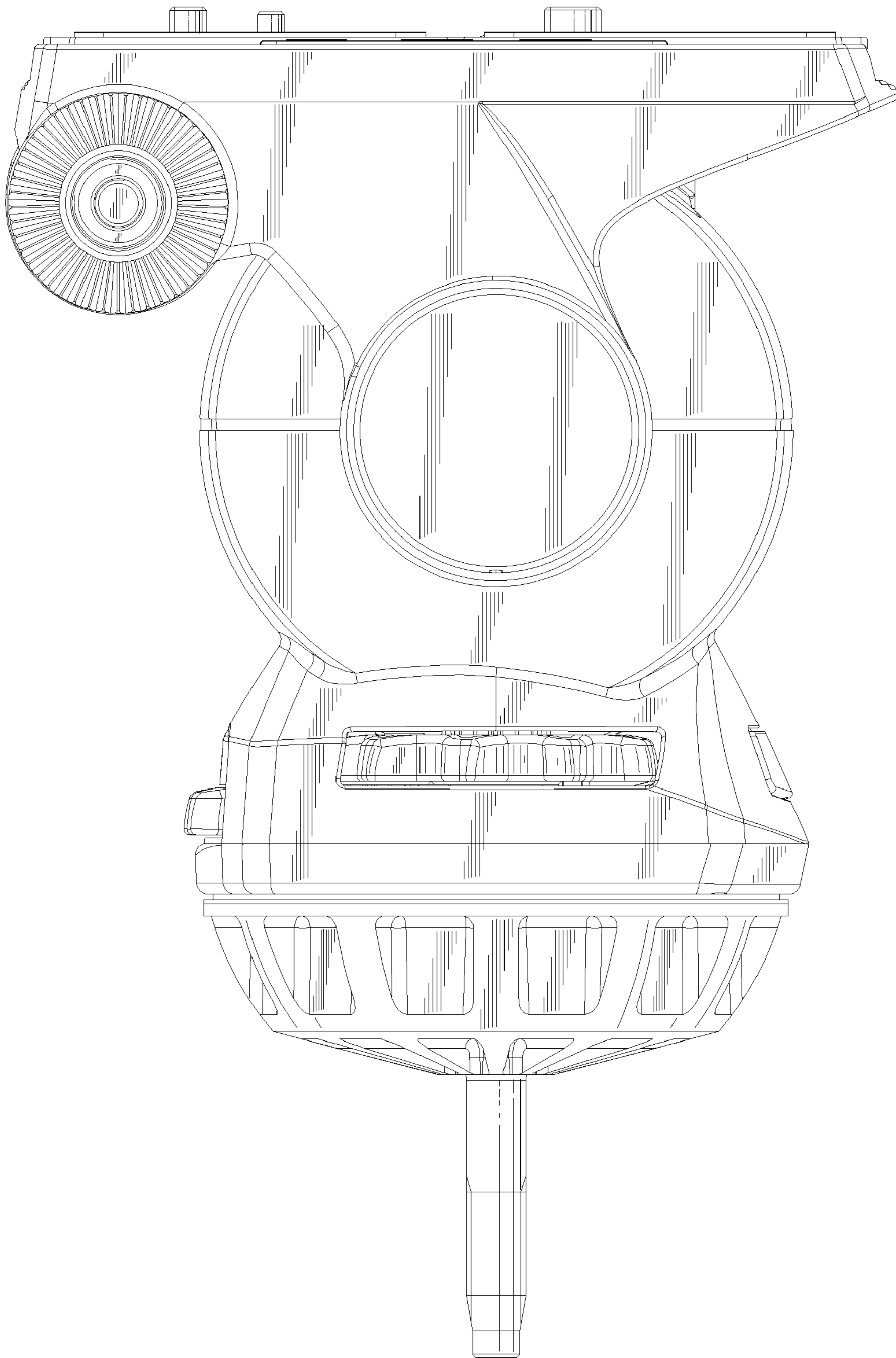


FIG. 5

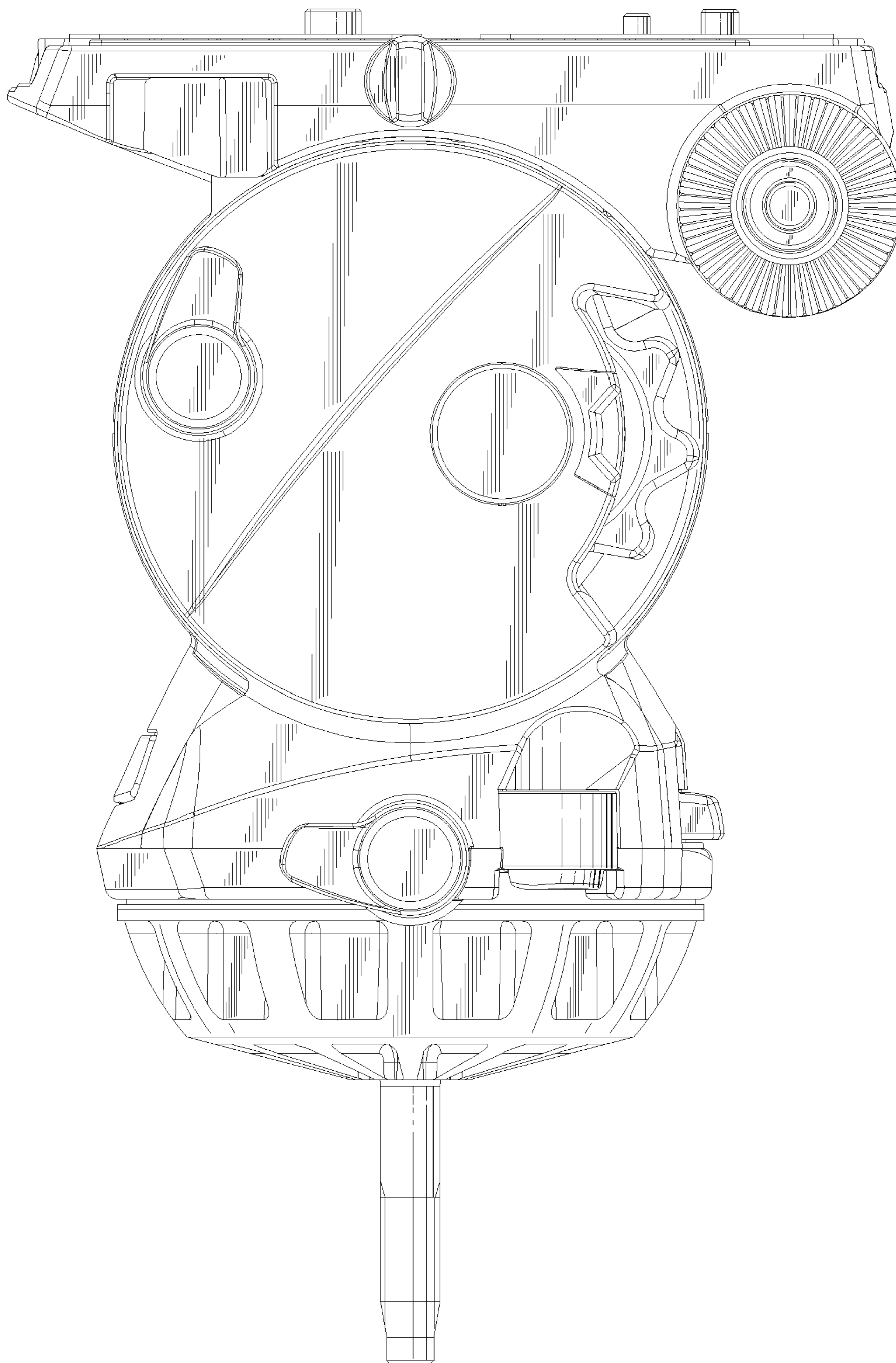


FIG. 6

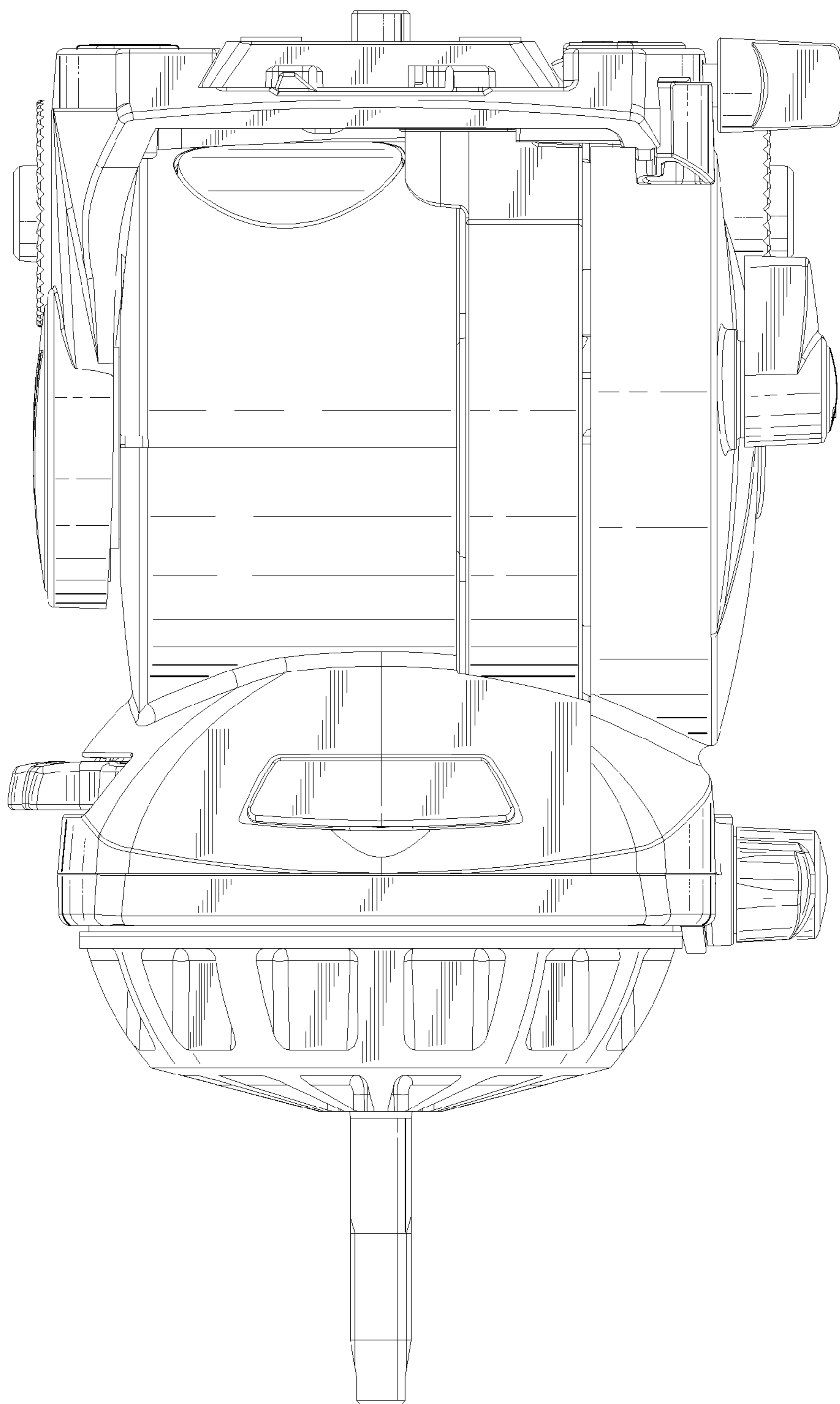


FIG. 7

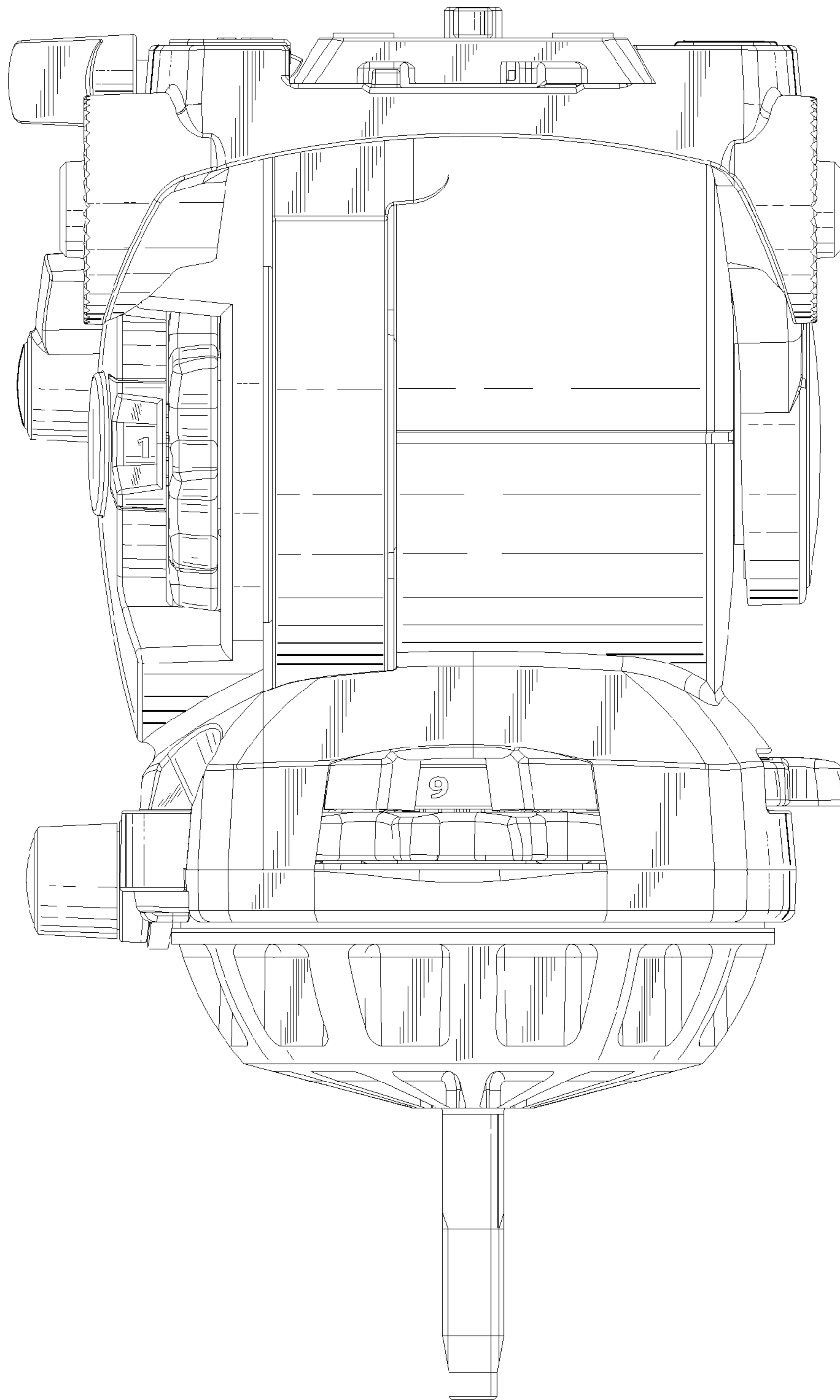


FIG. 8

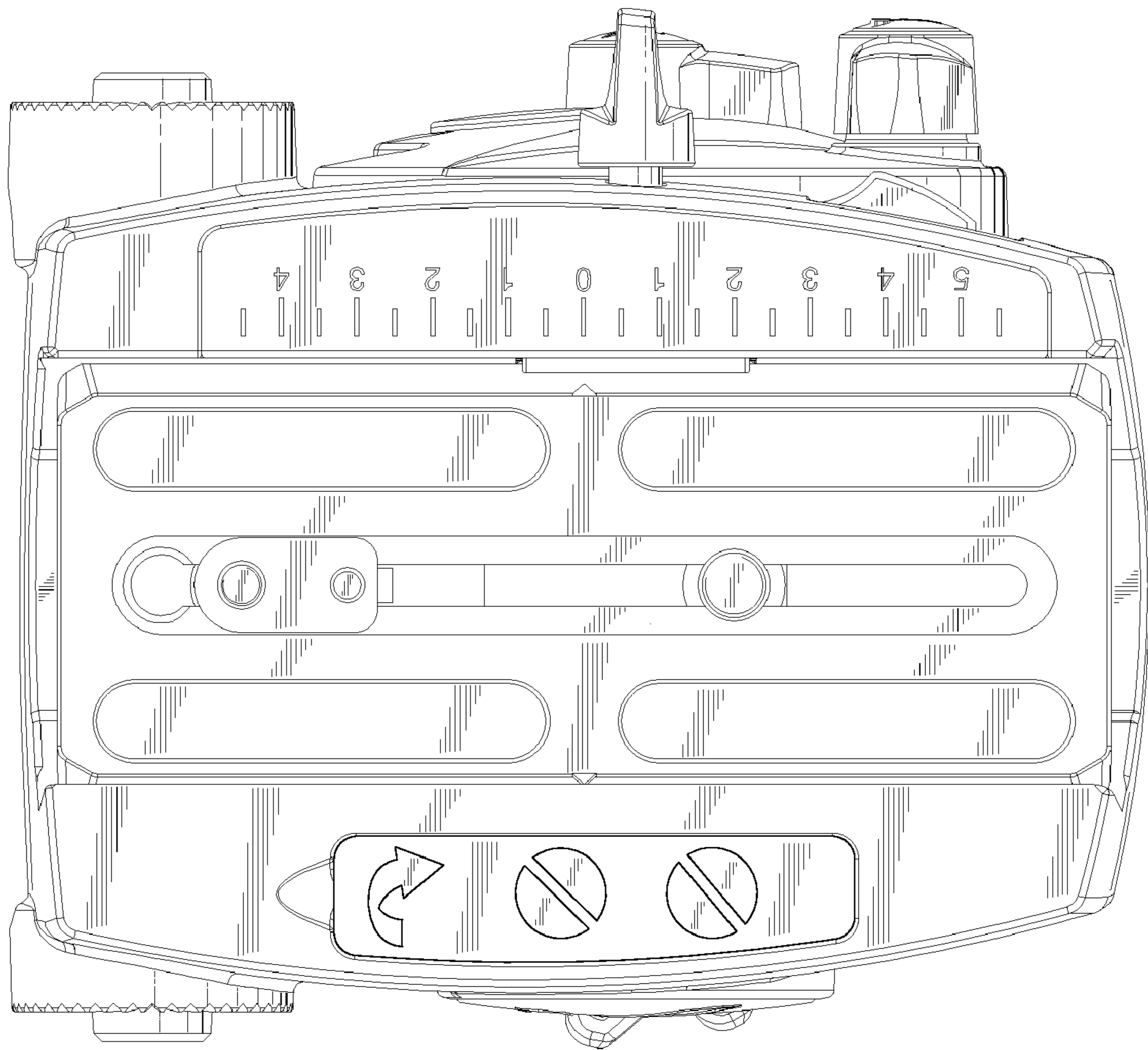


FIG. 9

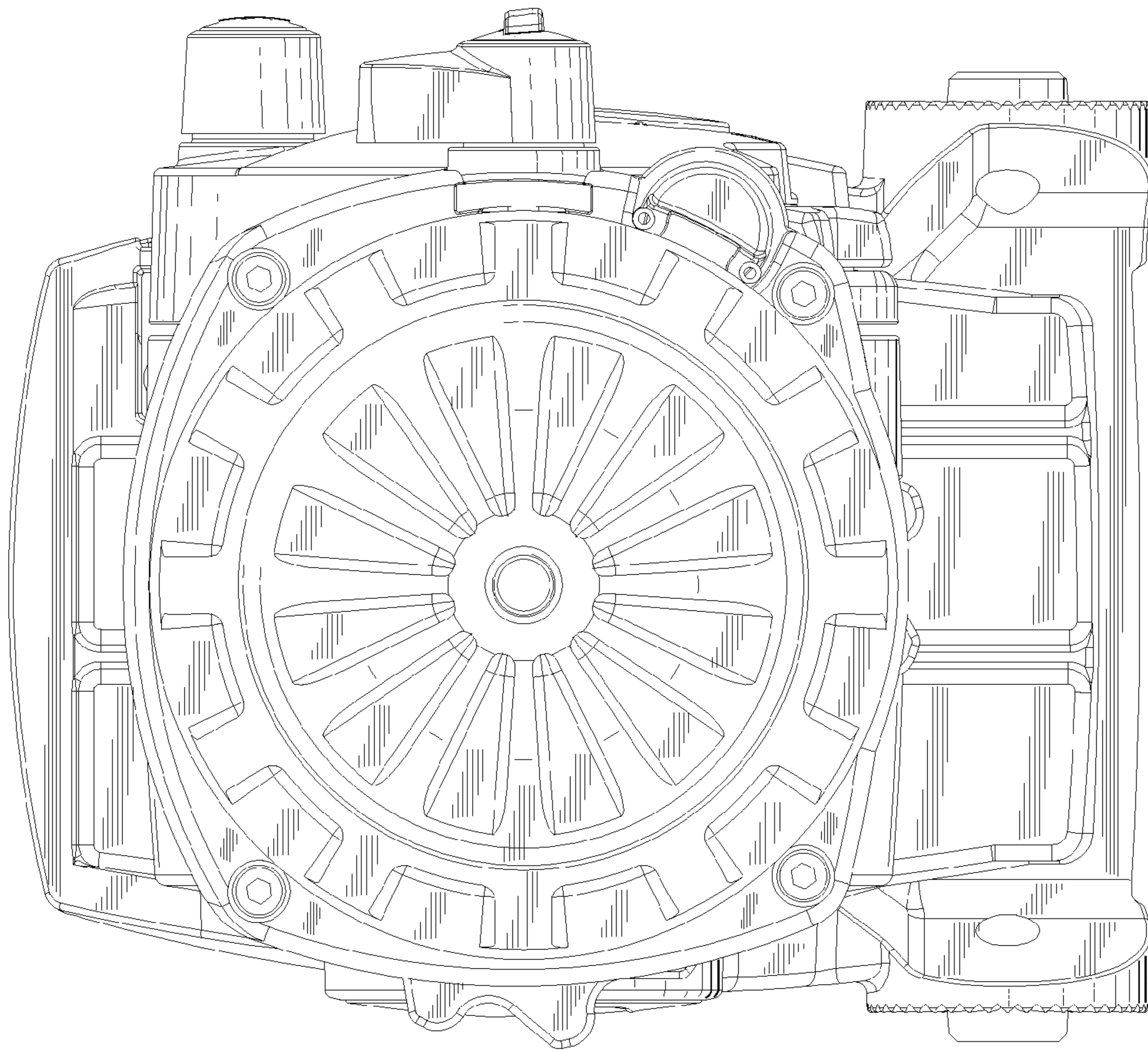


FIG. 10