



US00D630239S

(12) **United States Design Patent**
Huguley

(10) **Patent No.:** **US D630,239 S**

(45) **Date of Patent:** **** Jan. 4, 2011**

(54) **CAMERA HANDLE**

7,494,291 B2 2/2009 Saxton

(75) Inventor: **Charles Huguley**, Bothell, WA (US)

(73) Assignee: **G & J Martin Properties LLC**,
Woodinville, WA (US)

(**) Term: **14 Years**

(21) Appl. No.: **29/351,950**

(22) Filed: **Dec. 14, 2009**

(51) **LOC (9) Cl.** **16-05**

(52) **U.S. Cl.** **D16/243; D16/242**

(58) **Field of Classification Search** D8/301,
D8/315; D16/206, 242, 243; 248/178.1;
396/18, 419, 420-422, 425, 426
See application file for complete search history.

(56) **References Cited**

U.S. PATENT DOCUMENTS

D137,483	S	*	3/1944	Swanson	D16/243
2,466,713	A	*	4/1949	Kraus	396/426
2,483,711	A	*	10/1949	Roos	396/426
3,105,430	A	*	10/1963	Fernelius	396/426
D210,704	S	*	4/1968	Ross	D16/243
D238,903	S	*	2/1976	Colvig	D16/242
4,097,883	A		6/1978	Adamski		
4,291,967	A		9/1981	Jackson, Jr.		
4,304,483	A	*	12/1981	Whitten	396/18
4,329,041	A		5/1982	Madge		
4,405,223	A		9/1983	Shull		

OTHER PUBLICATIONS

Leica Handgrip, see <http://www.luminous-landscape.com/reviews/accessories/m8-grip.shtml>.

Camera Grip Hand Straps, see e.g. <http://www.acstation.com/bothxxxxstr1.html?acprshzldtf090605=SC+shpz+bothxxxxstr1>.

* cited by examiner

Primary Examiner—Adir Aronovich

(74) *Attorney, Agent, or Firm*—Priya Sinha Cloutier

(57) **CLAIM**

The ornamental design for a camera handle, as shown and described.

DESCRIPTION

FIG. 1 is a top and rear perspective view of a camera handle showing my new design;

FIG. 2 is a front view of my new design for a camera handle;

FIG. 3 is a rear view of my new design for a camera handle;

FIG. 4 is a top view of my new design for a camera handle;

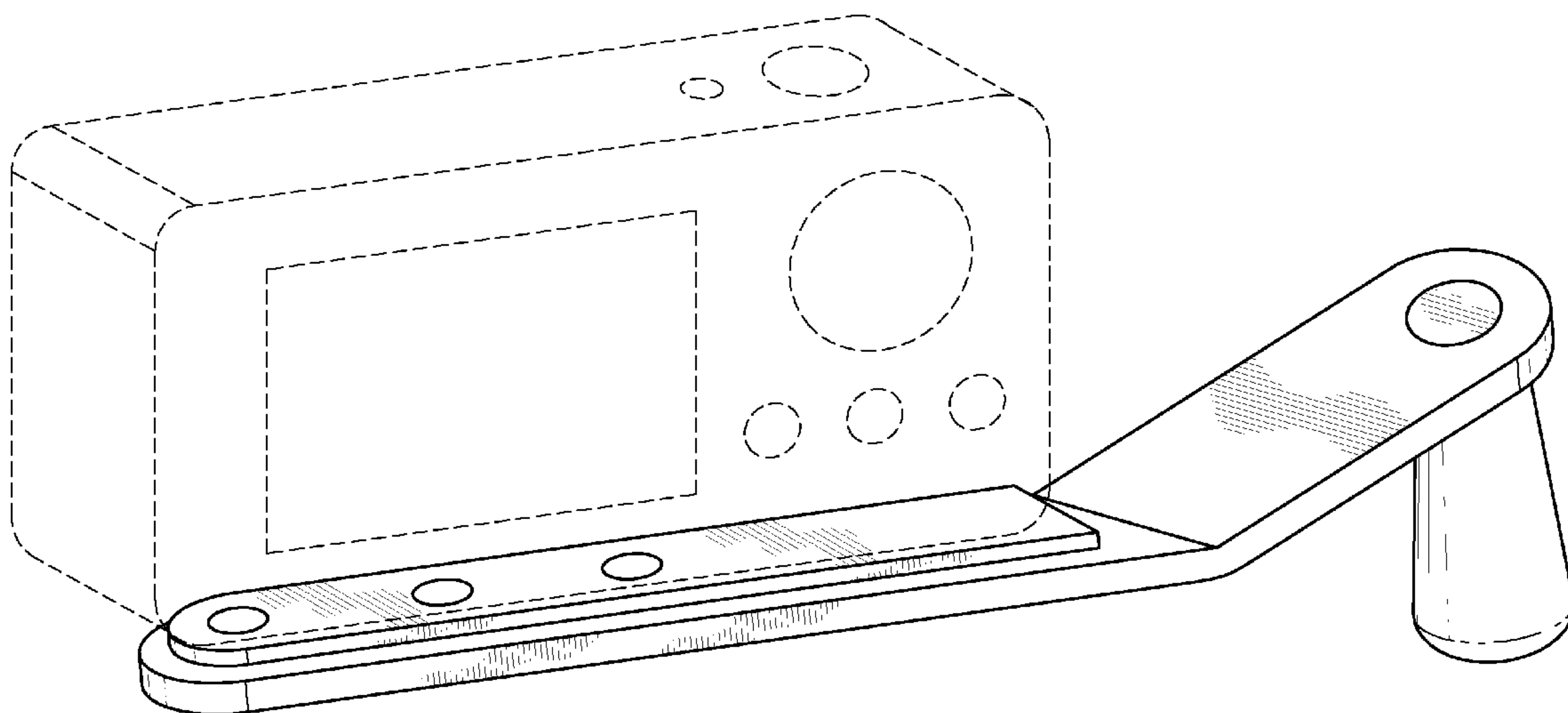
FIG. 5 is a bottom view of my new design for a camera handle;

FIG. 6 is a left side view of my new design for a camera handle; and,

FIG. 7 is a right side view of my new design for a camera handle.

The broken lines are for illustrative purposes only and form no part of the claimed design.

1 Claim, 4 Drawing Sheets



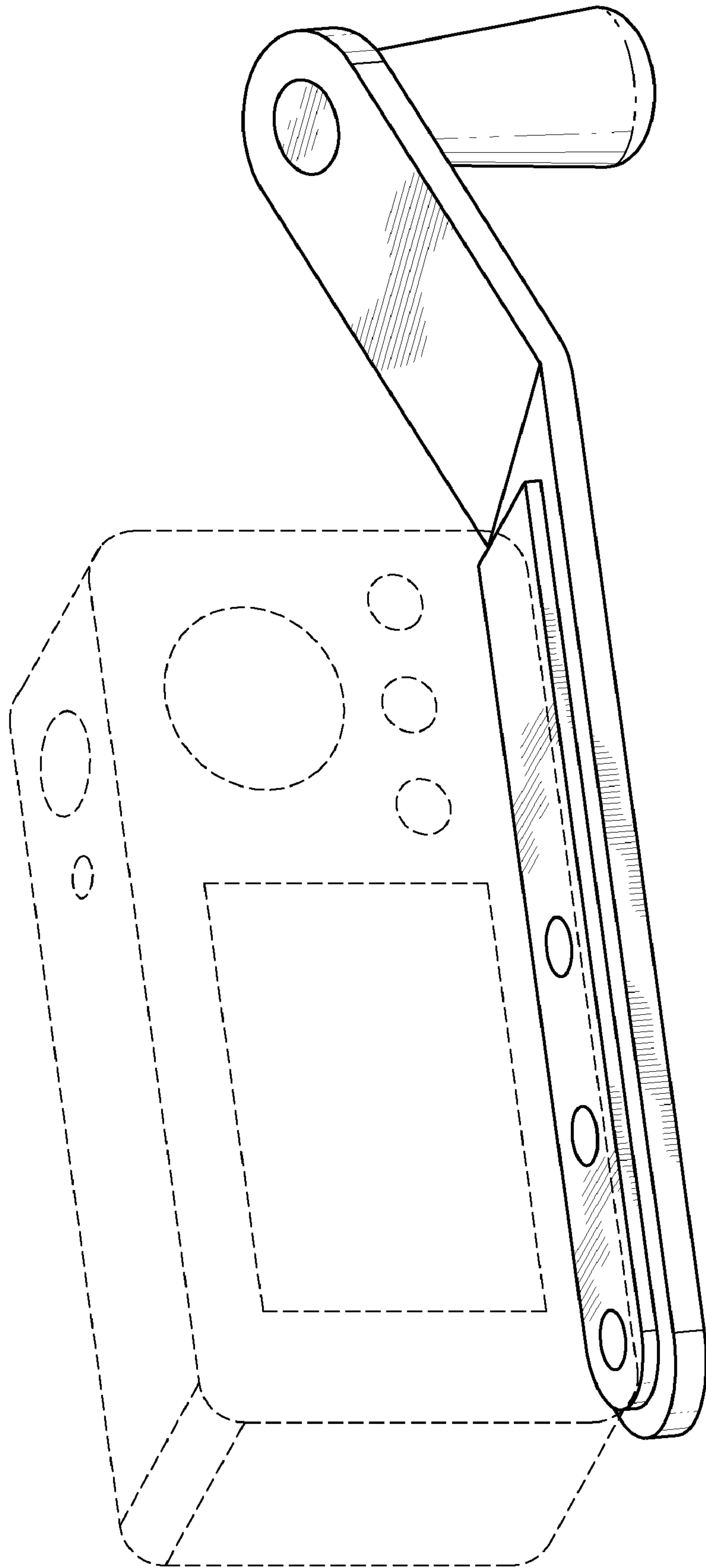


FIG. 1

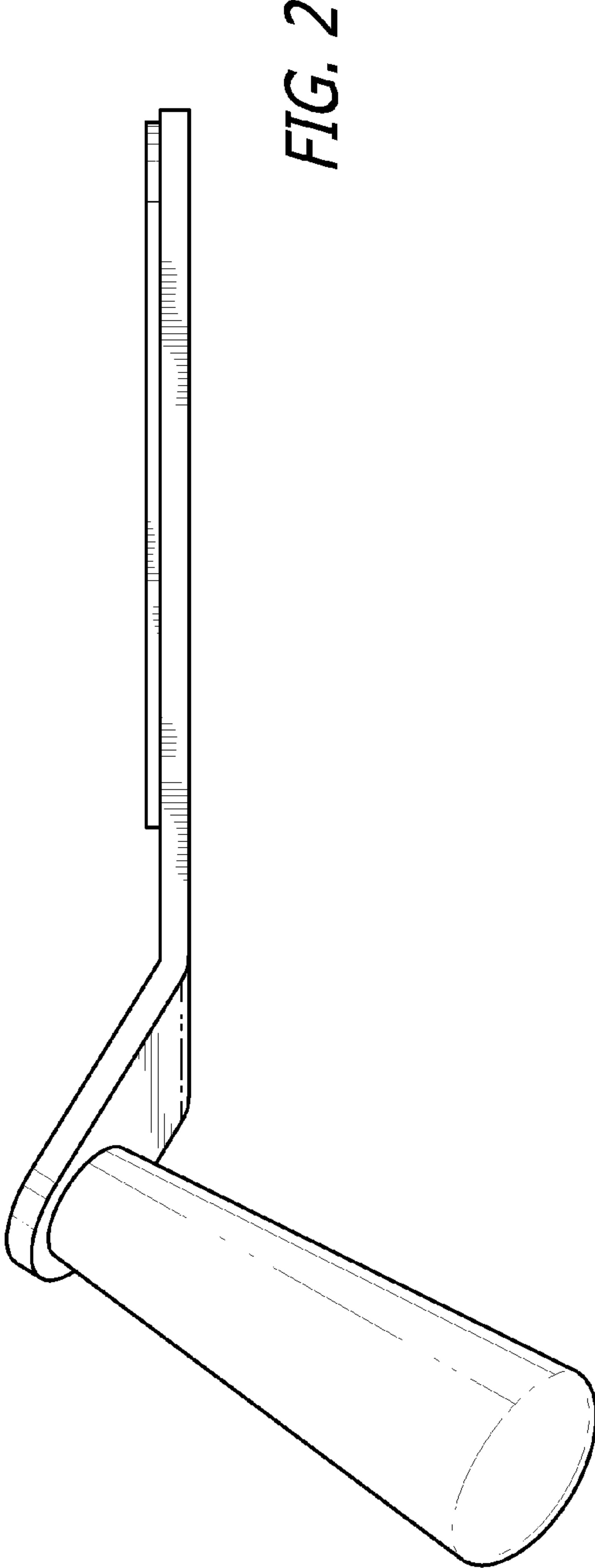


FIG. 2

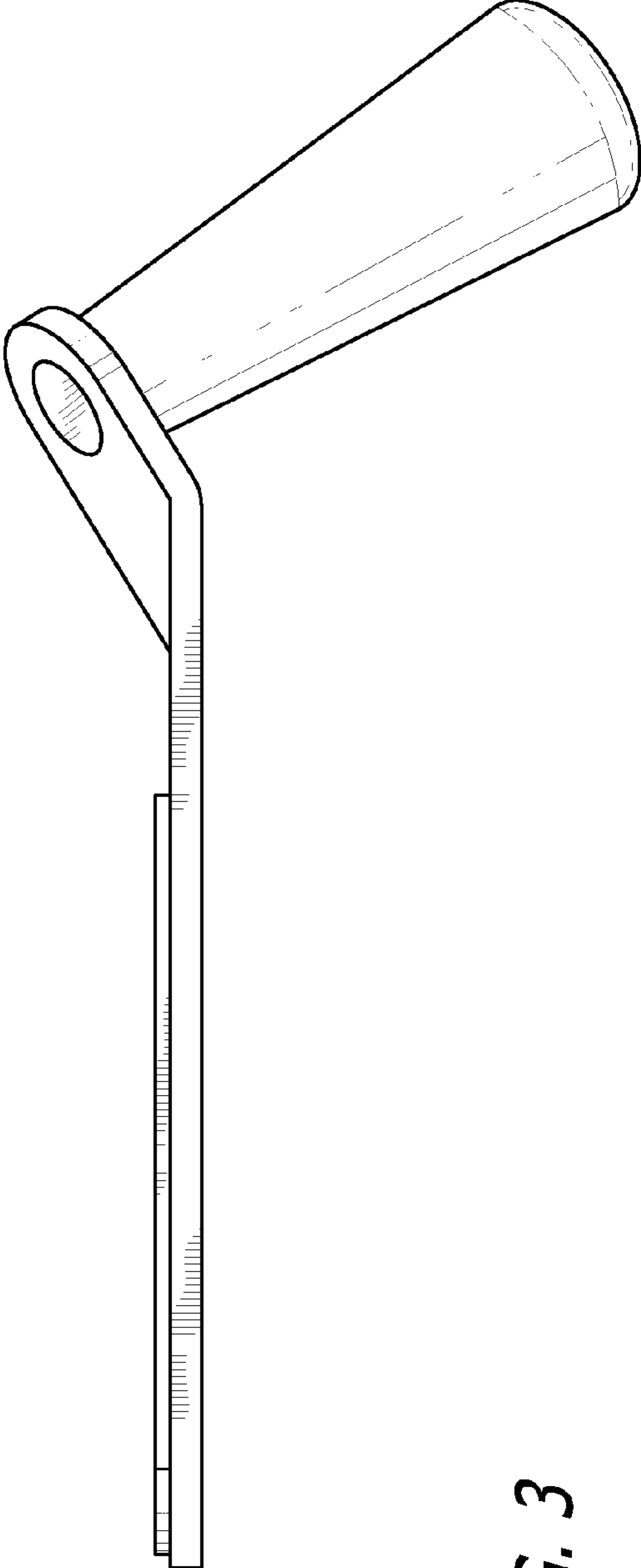


FIG. 3

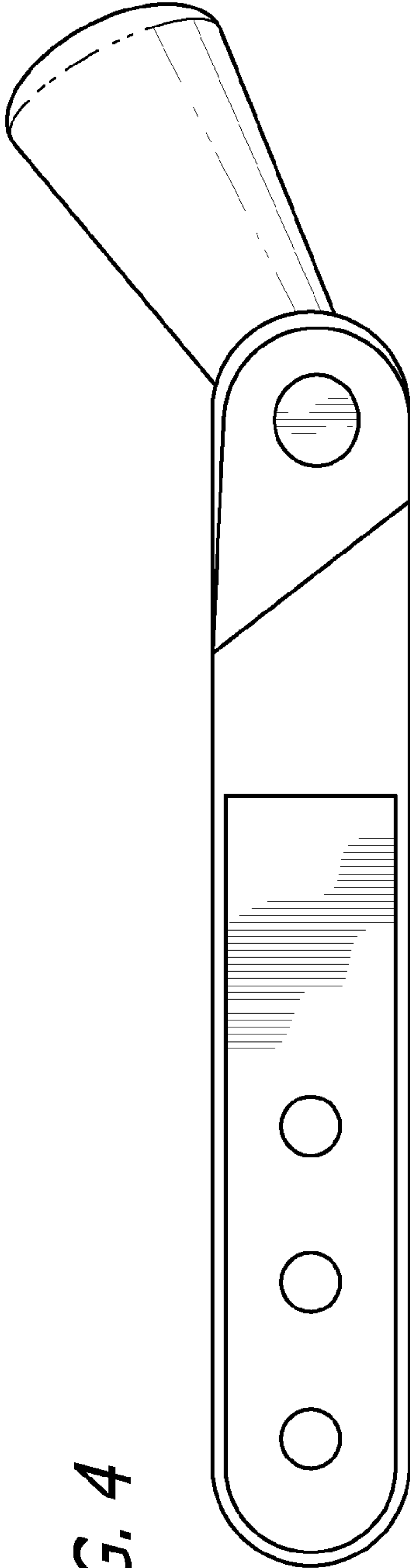


FIG. 4

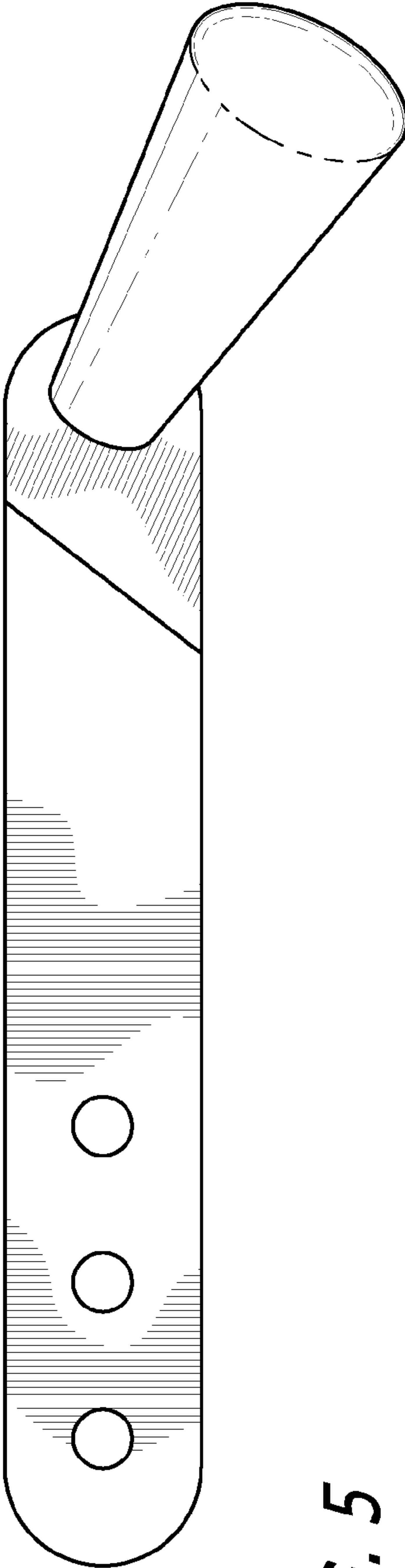


FIG. 5

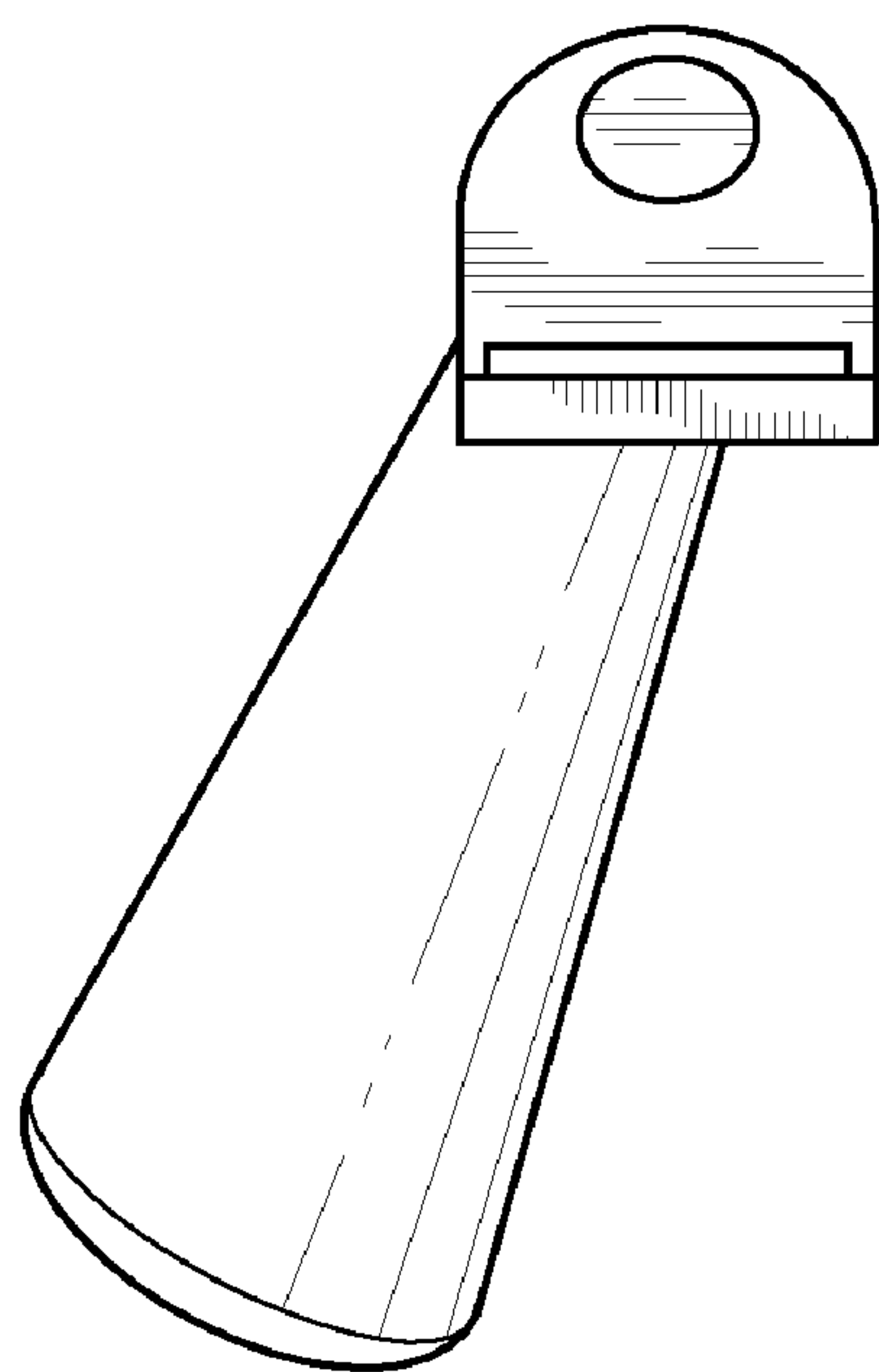


FIG. 6

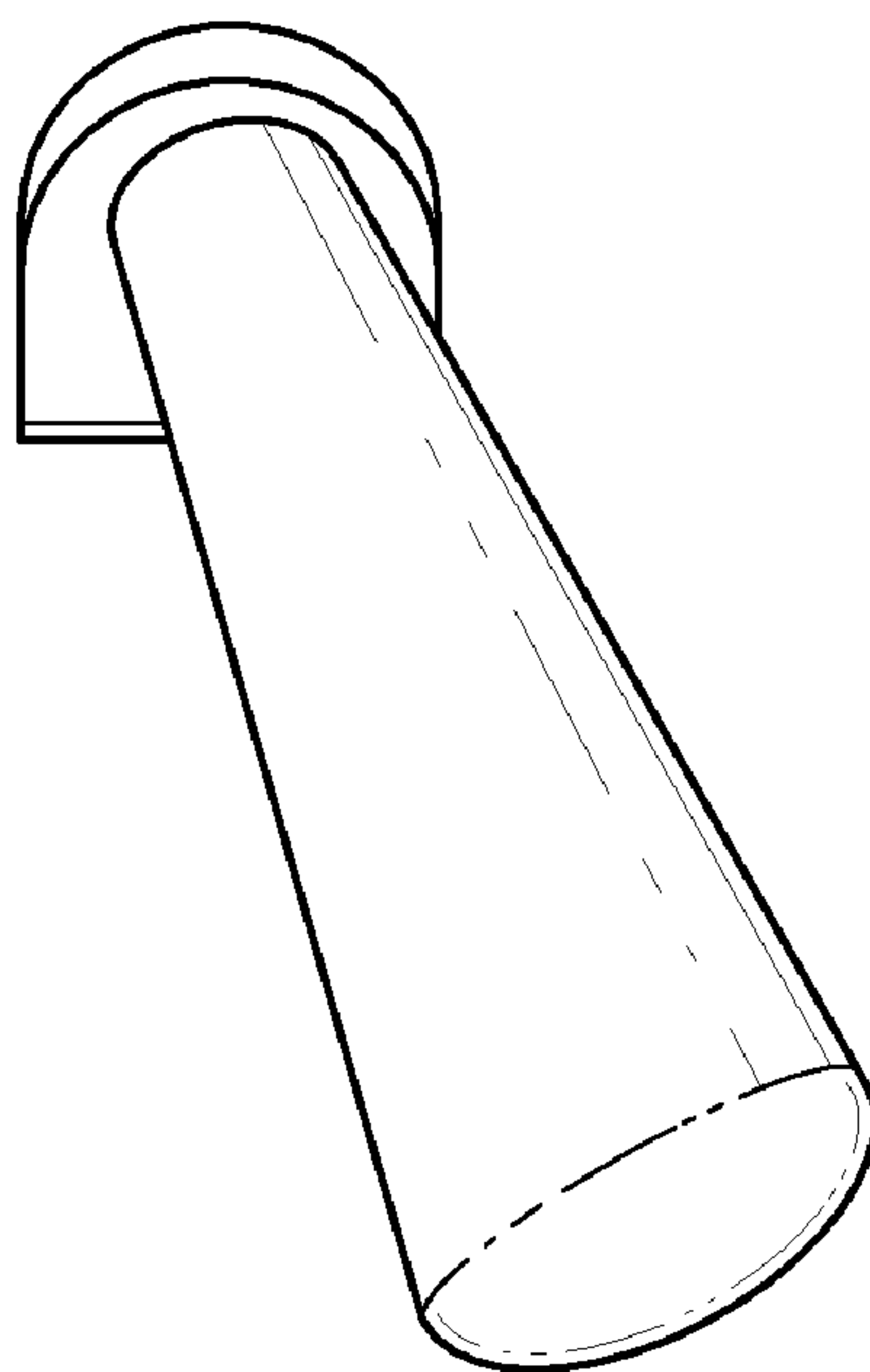


FIG. 7