



US00D630236S

(12) **United States Design Patent**
Lian

(10) **Patent No.:** **US D630,236 S**

(45) **Date of Patent:** **** Jan. 4, 2011**

(54) **INFRARED DIGITAL TRAIL CAMERA**

7,534,056 B2 * 5/2009 Cross et al. 396/427
D616,009 S * 5/2010 Schnell D16/218
D622,749 S * 8/2010 Lian D16/203

(76) Inventor: **Chao Lian**, 6B, SangDaYaYuan, HuaFa
North Rd., FuTian District, Shenzhen
(CN)

* cited by examiner

(**) Term: **14 Years**

Primary Examiner—Adir Aronovich

(74) *Attorney, Agent, or Firm*—Raymond Y. Chan; David and
Raymond Patent Firm

(21) Appl. No.: **29/348,945**

(22) Filed: **Feb. 24, 2010**

(57) **CLAIM**

(51) **LOC (9) Cl.** **16-01**

(52) **U.S. Cl.** **D16/203**

(58) **Field of Classification Search** D16/200–204,
D16/208, 218; 348/143, 164, 373–376; 396/427,
396/535–541

See application file for complete search history.

The ornamental design for a infrared digital trail camera, as
shown and described.

DESCRIPTION

(56) **References Cited**

U.S. PATENT DOCUMENTS

D244,686 S * 6/1977 Hansen D16/218
6,449,431 B1 * 9/2002 Cuddeback et al. 396/427
D491,592 S * 6/2004 Fang D16/202
6,768,868 B1 * 7/2004 Schnell 396/427
D518,843 S * 4/2006 Tullberg et al. D16/218
7,471,334 B1 * 12/2008 Stenger 348/373

FIG. 1 is a front, top and right side perspective view of an
infrared digital trail camera showing my new design;

FIG. 2 is a front elevational view thereof;

FIG. 3 is rear elevational view thereof;

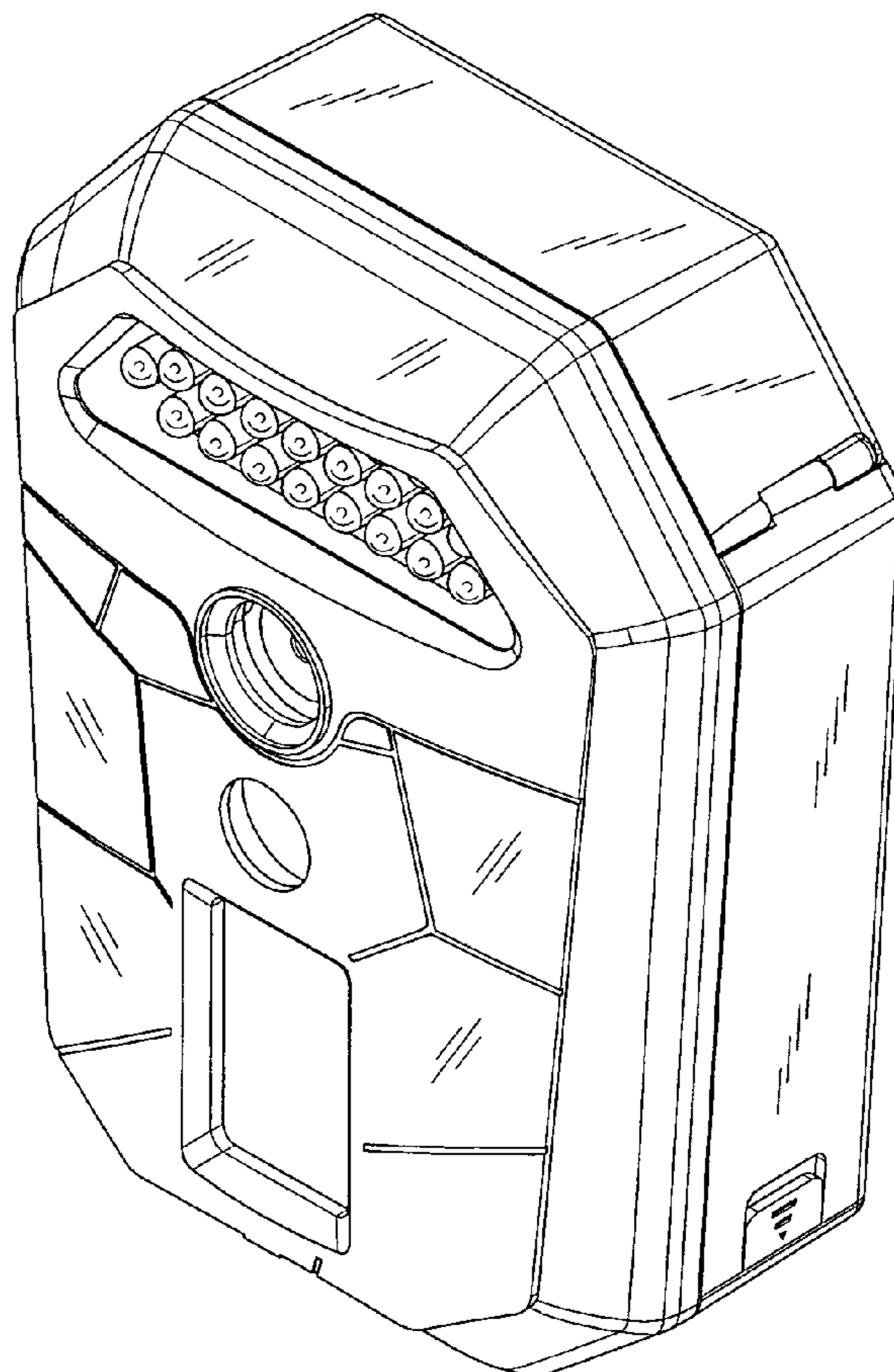
FIG. 4 is a right side elevational view thereof;

FIG. 5 is a left side elevational view thereof;

FIG. 6 is a bottom plan view thereof; and,

FIG. 7 is a top plan view thereof.

1 Claim, 7 Drawing Sheets



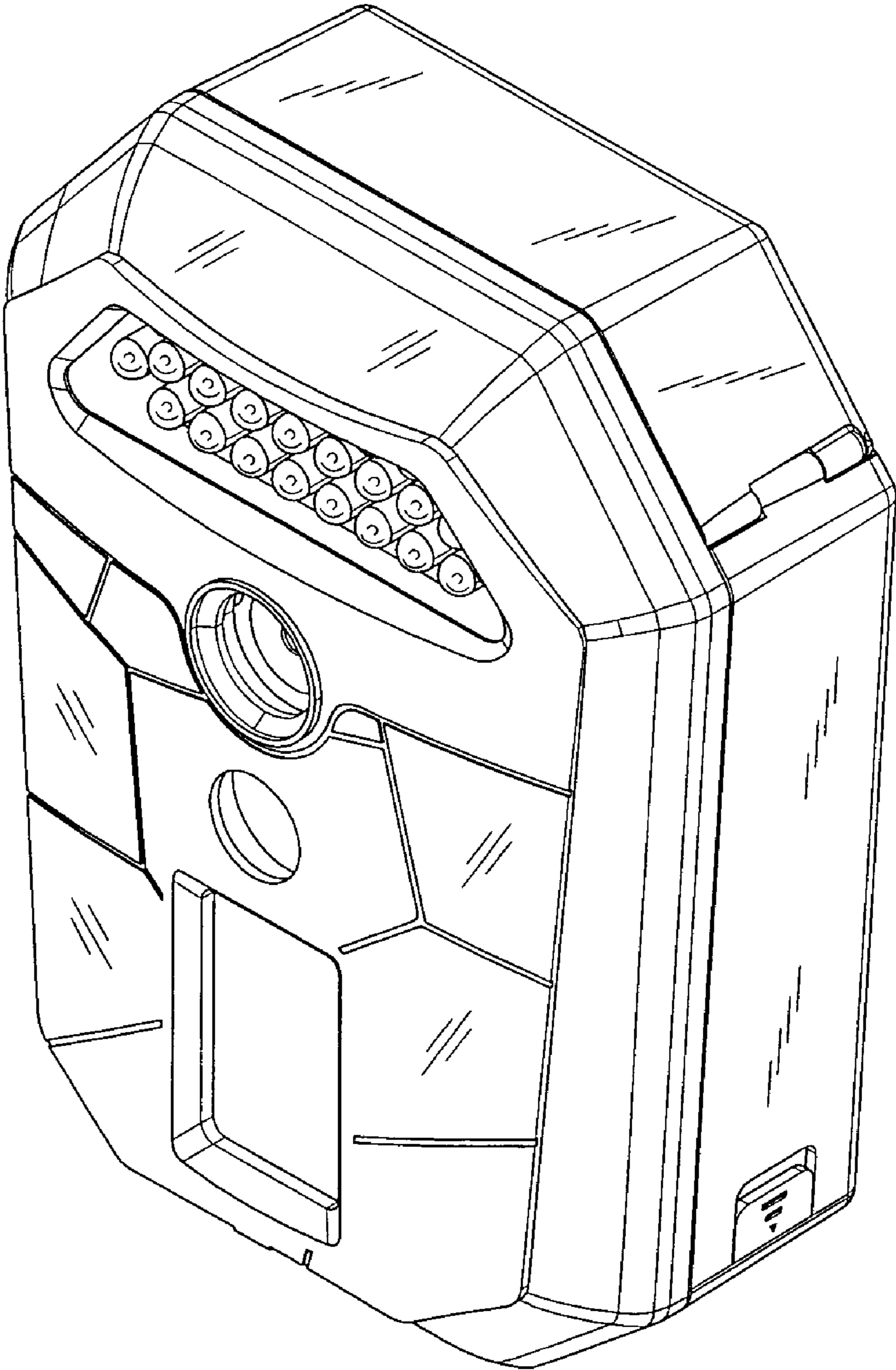


FIG.1

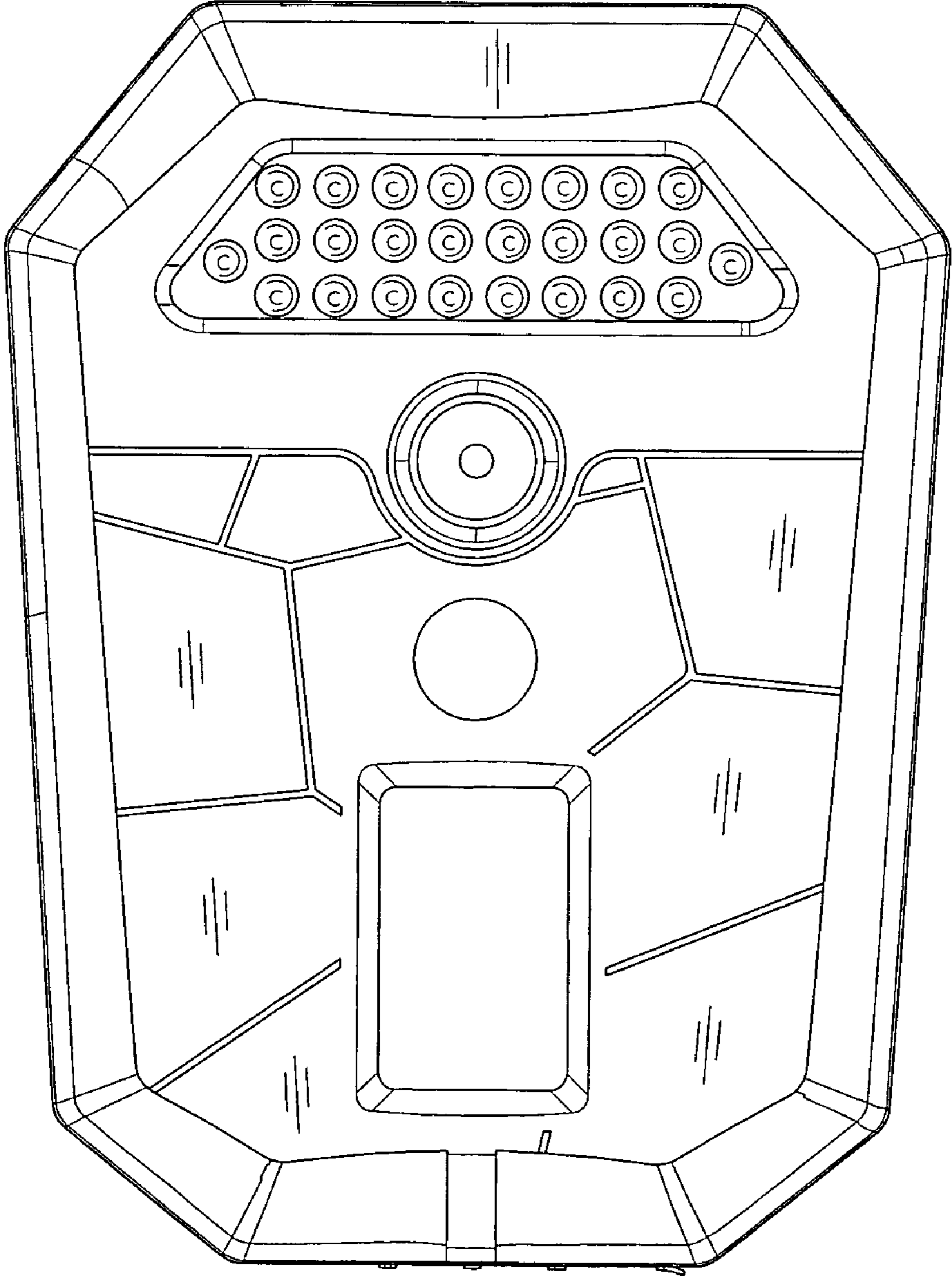


FIG.2

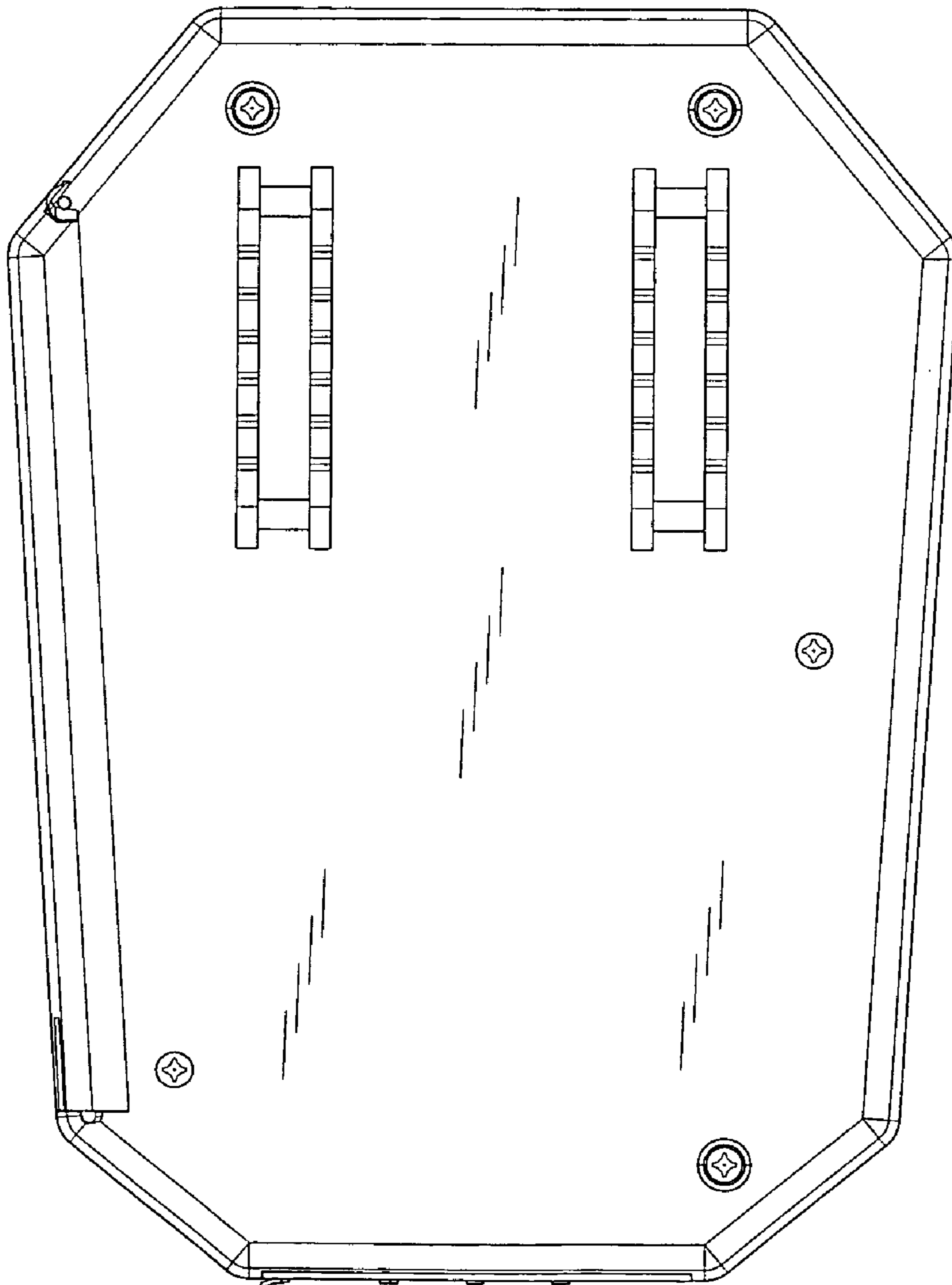


FIG.3

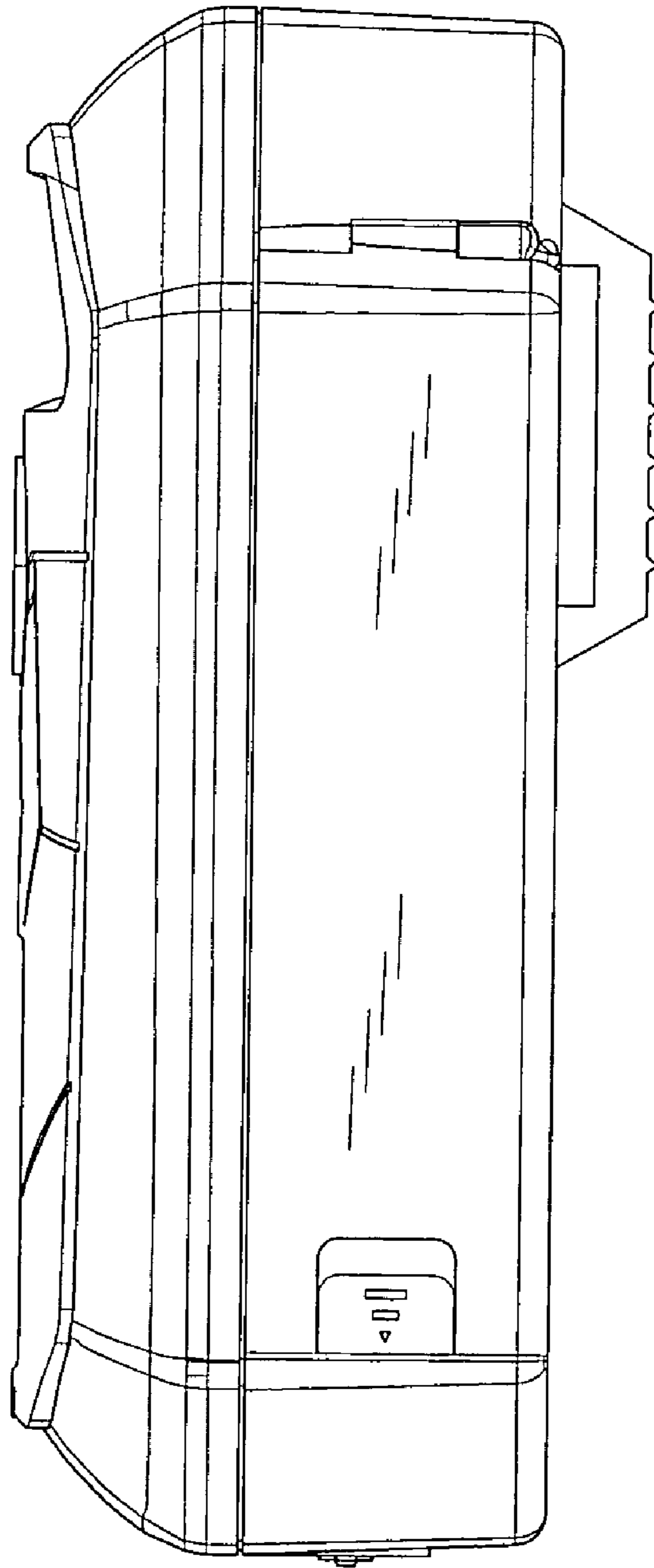


FIG.4

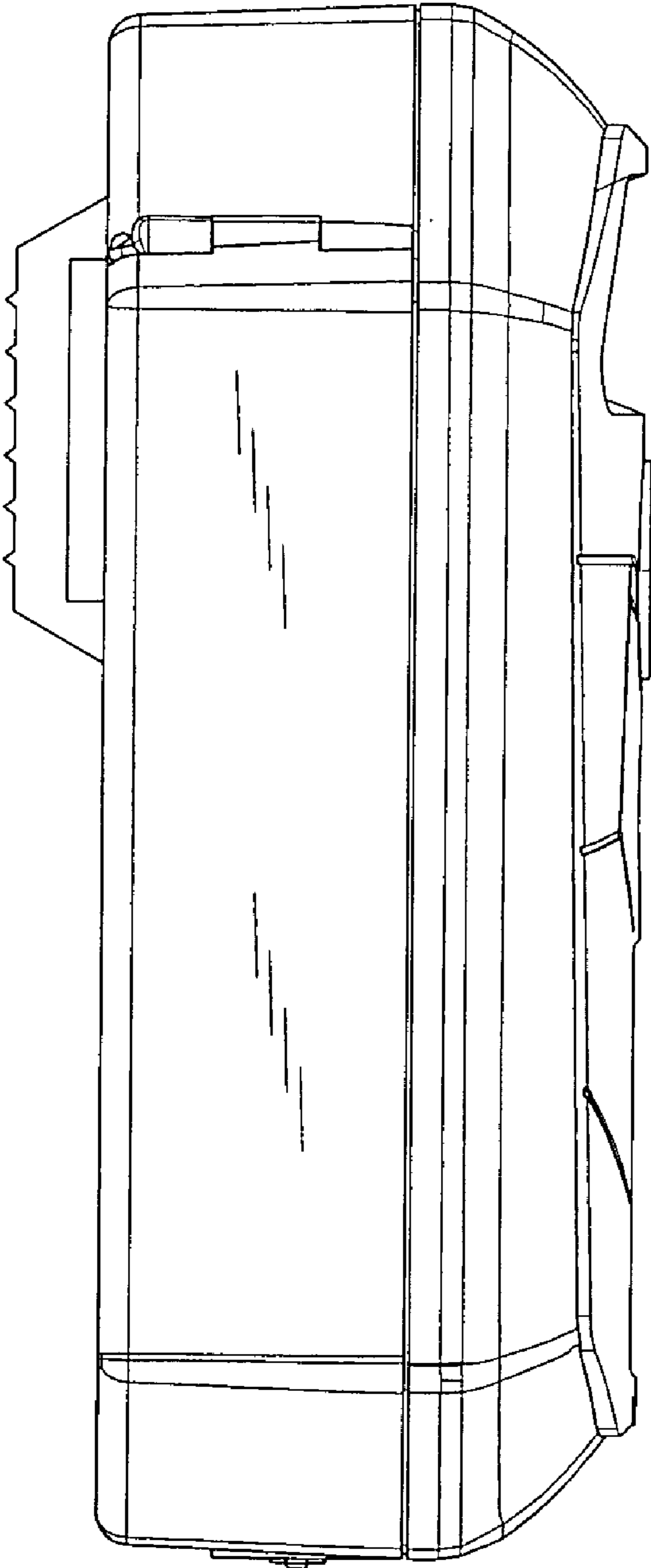


FIG.5

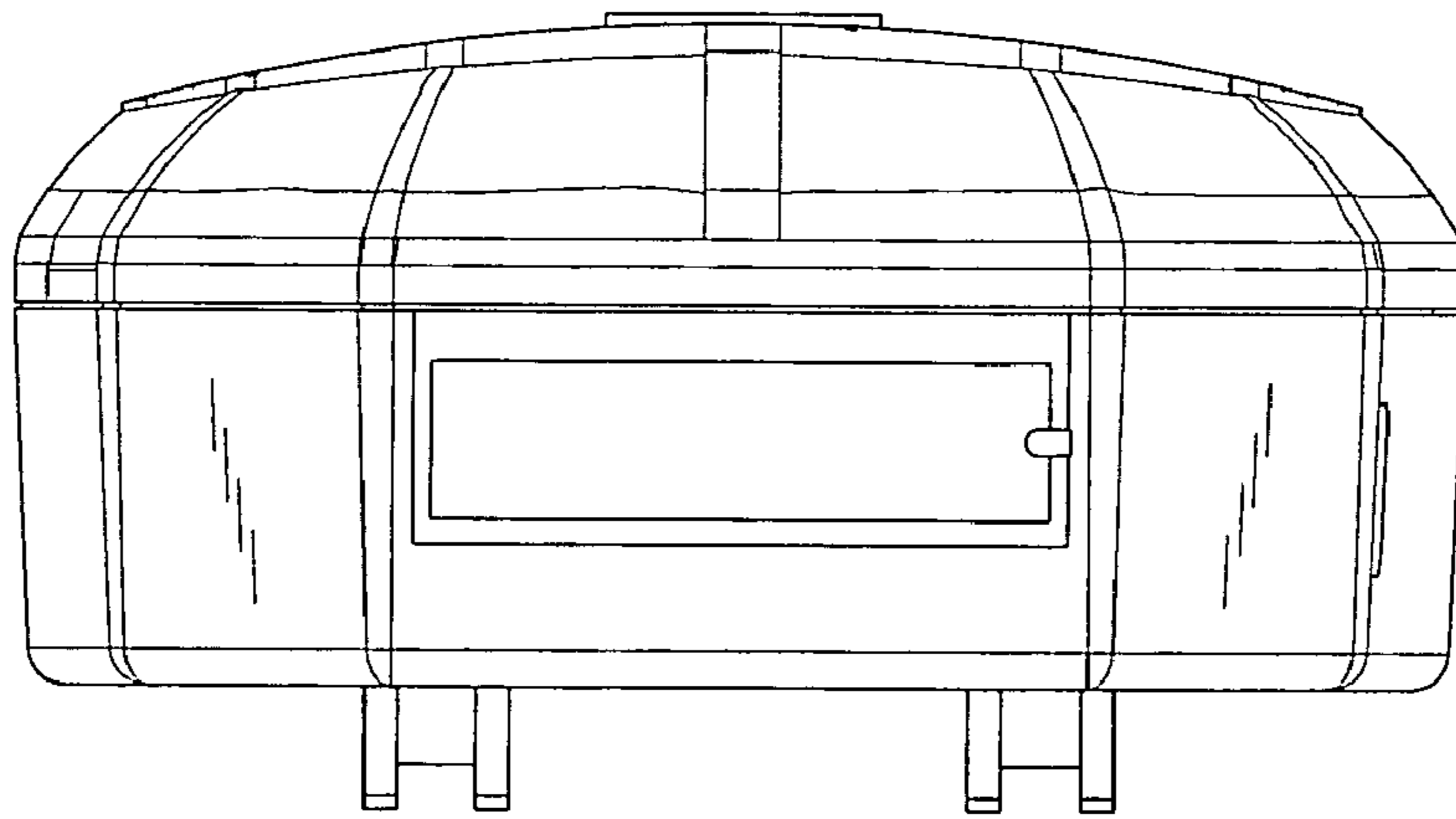


FIG.6

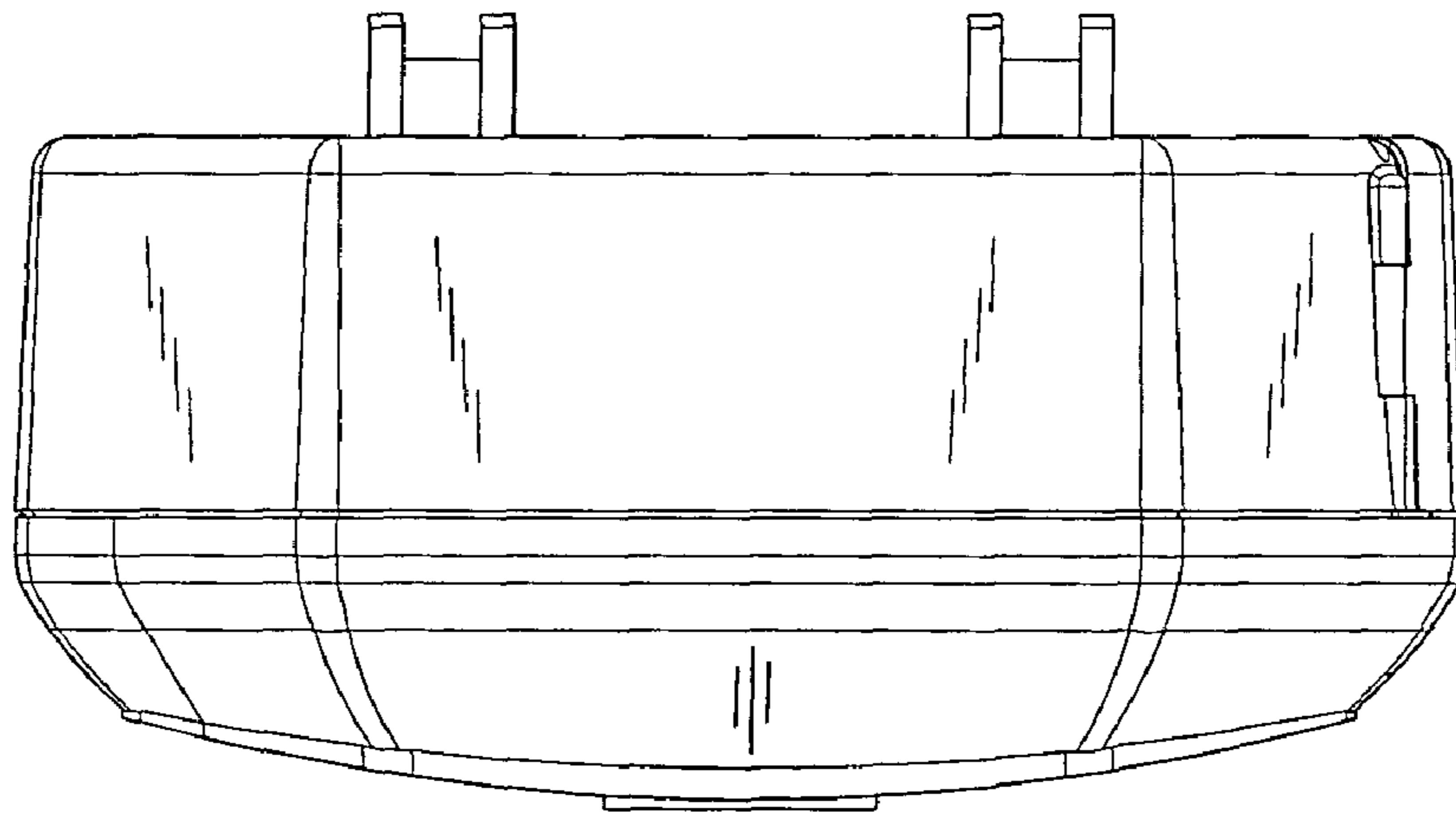


FIG.7