



US00D630234S

(12) **United States Design Patent**  
**Monyak et al.**

(10) **Patent No.:** **US D630,234 S**

(45) **Date of Patent:** **\*\* Jan. 4, 2011**

(54) **TOOL**

(75) Inventors: **Kenneth Monyak**, Abingdon, VA (US);  
**Joseph Fader**, Abingdon, VA (US)

(73) Assignee: **Sandvik Intellectual Property AB**,  
Sandviken (SE)

(\*\*) Term: **14 Years**

(21) Appl. No.: **29/318,344**

(22) Filed: **May 19, 2008**

(51) **LOC (9) Cl.** ..... **15-09**

(52) **U.S. Cl.** ..... **D15/139**

(58) **Field of Classification Search** ..... D8/70,  
D8/71; D9/453, 437; D15/131, 138, 139,  
D15/140; 299/10, 104, 105, 106, 107, 111,  
299/113, 126

See application file for complete search history.

(56) **References Cited**

U.S. PATENT DOCUMENTS

4,818,027	A	4/1989	Simon	
4,938,538	A *	7/1990	Larsson et al.	299/111
5,054,217	A	10/1991	Nilsson et al.	
5,161,859	A *	11/1992	Larsson et al.	299/111
6,113,195	A	9/2000	Mercier et al.	
6,364,420	B1 *	4/2002	Sollami	299/106
6,371,567	B1 *	4/2002	Sollami	299/104
6,692,083	B2	2/2004	Latham	
6,709,065	B2 *	3/2004	Peay et al.	299/104
6,824,225	B2 *	11/2004	Stiffler	299/104
7,195,321	B1 *	3/2007	Sollami	299/104

2002/0149159	A1 *	10/2002	Fan-Chiang et al.	279/62
2002/0167616	A1 *	11/2002	Watanabe et al.	348/708
2003/0047985	A1 *	3/2003	Stiffler	299/102
2004/0004389	A1 *	1/2004	Latham	299/104
2005/0173966	A1 *	8/2005	Mouthaan	299/104

\* cited by examiner

*Primary Examiner*—Patricia Palasik

(74) *Attorney, Agent, or Firm*—Drinker Biddle & Reath LLP

(57) **CLAIM**

The ornamental design for a tool, as shown and described.

**DESCRIPTION**

FIG. 1 shows a perspective view of an embodiment of a tool in accordance with our new design.

FIG. 2 is a top view of the embodiment of the tool shown in FIG. 1.

FIG. 3 is a left-side view of the embodiment of the tool shown in FIG. 1.

FIG. 4 is a front-side view of the embodiment of the tool shown in FIG. 1.

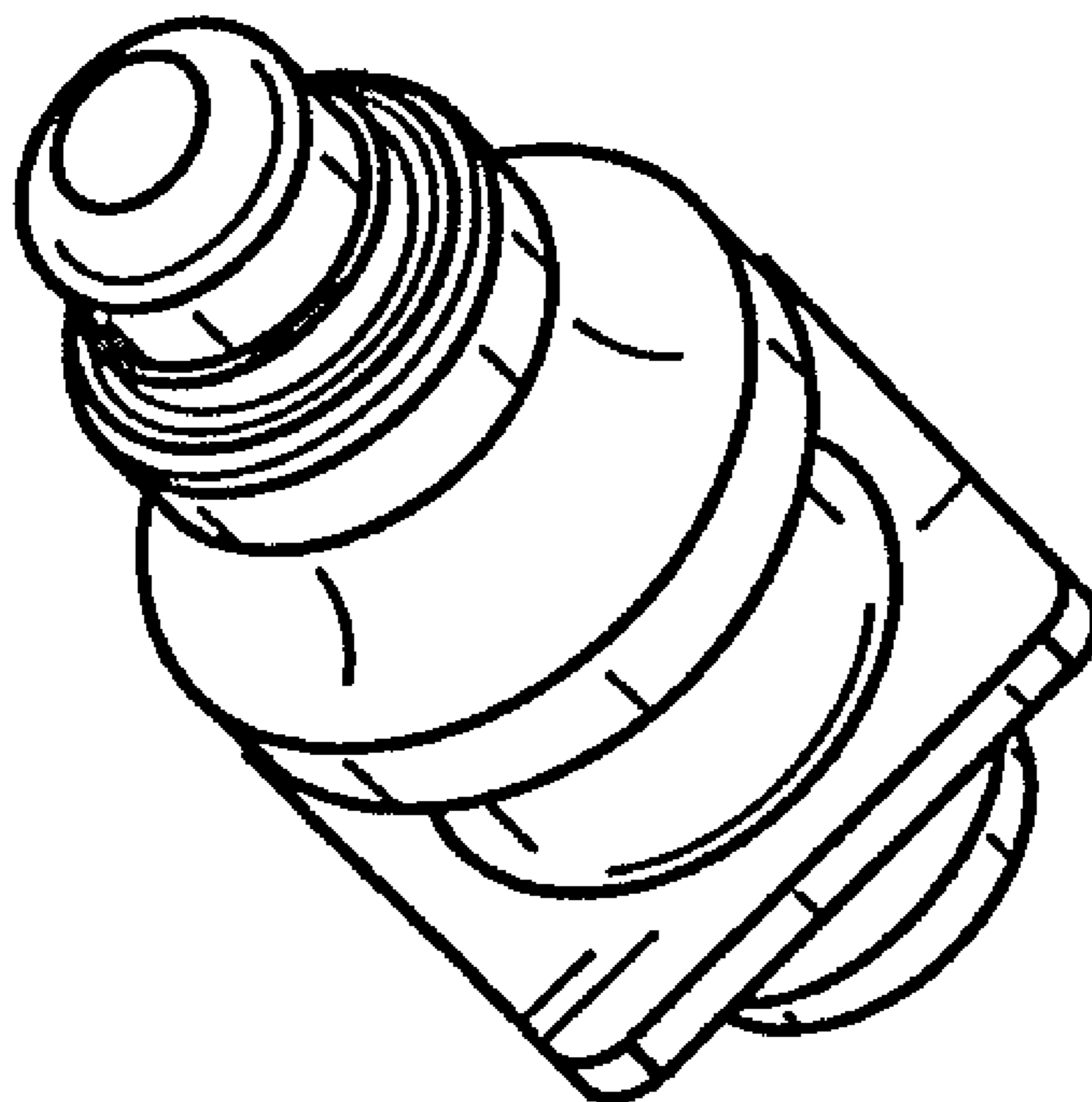
FIG. 5 is a right-side view of the embodiment of the tool shown in FIG. 1.

FIG. 6 is a back-side view of the embodiment of the tool shown in FIG. 1; and,

FIG. 7 is a bottom view of the embodiment of the tool shown in FIG. 1.

The broken lines showing the head portion of the tool are for illustrative purpose and form no part of the claimed design.

**1 Claim, 1 Drawing Sheet**



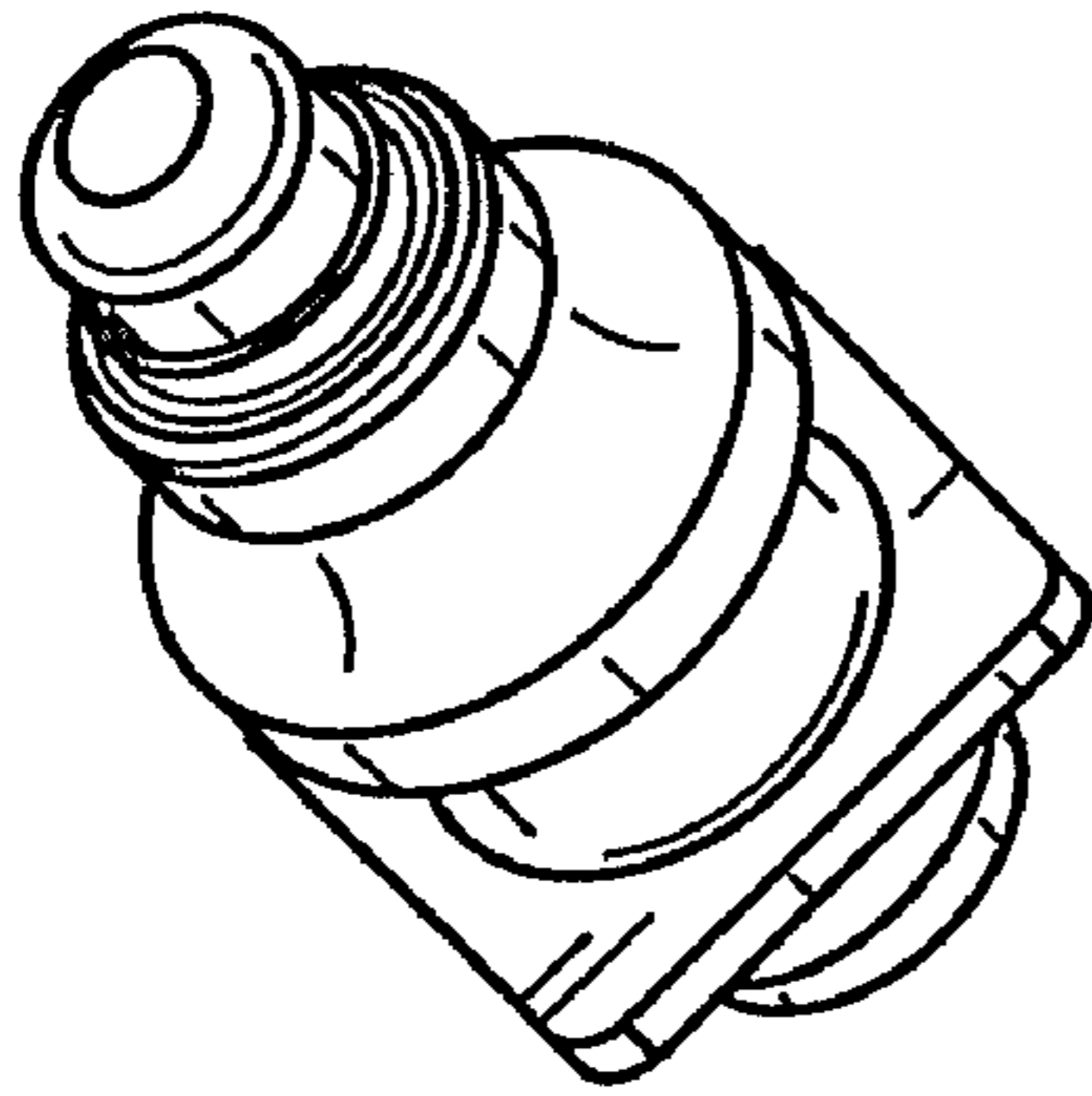


FIG. 1

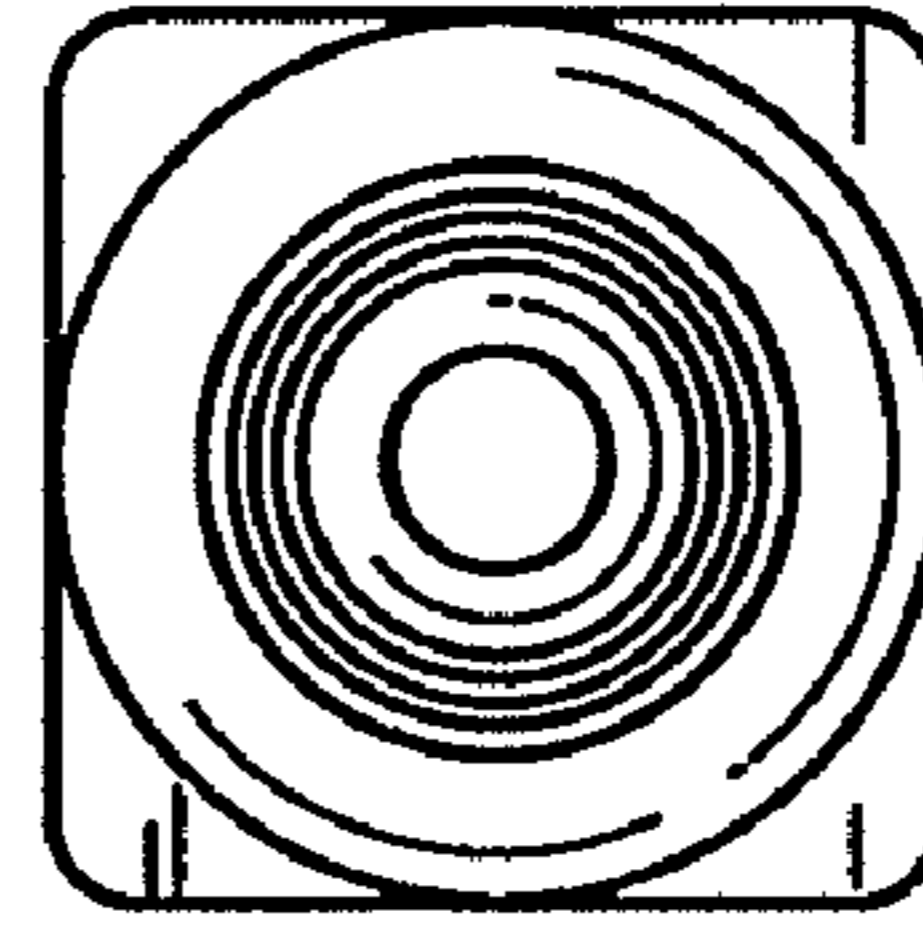


FIG. 2

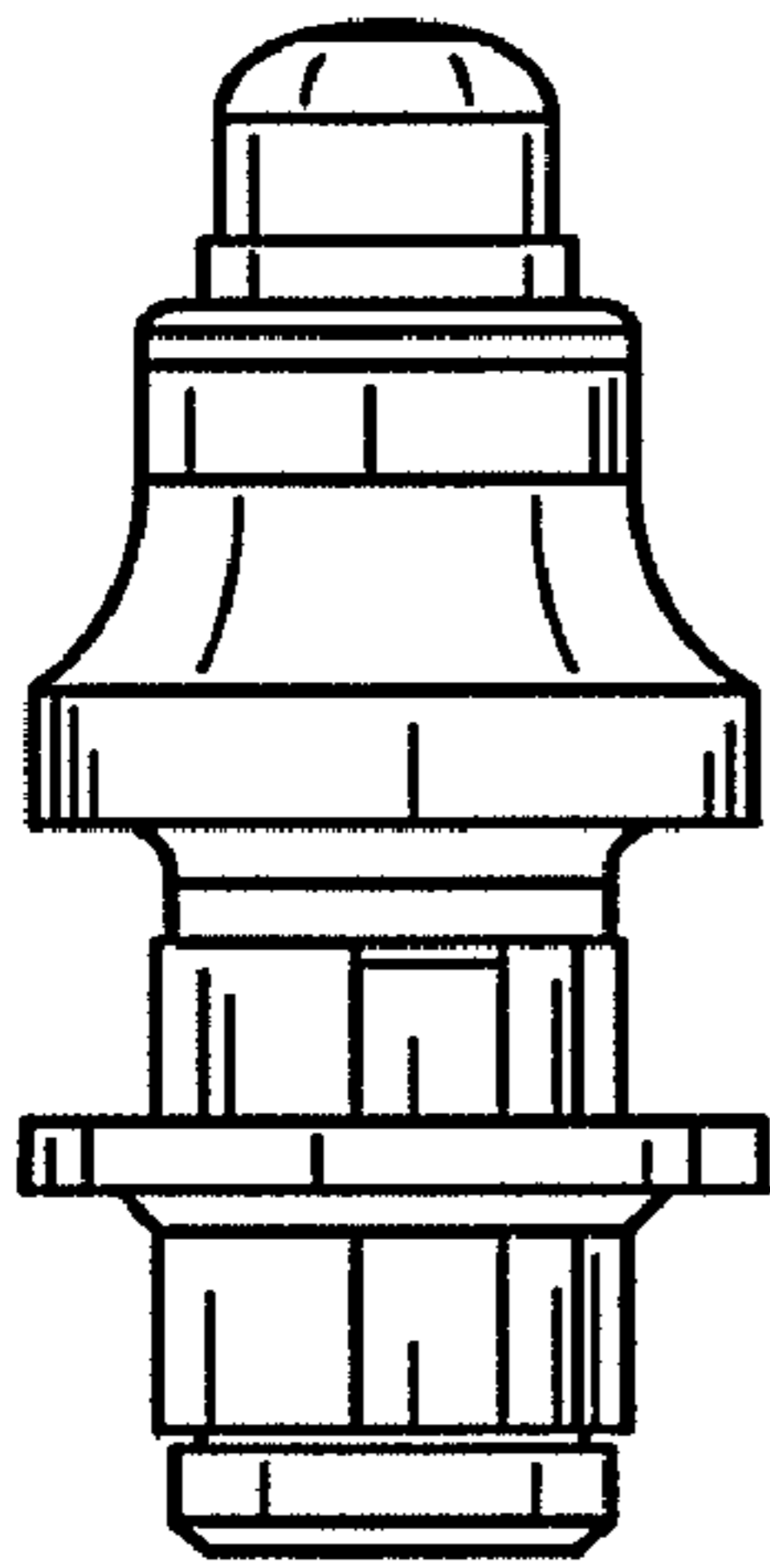


FIG. 3

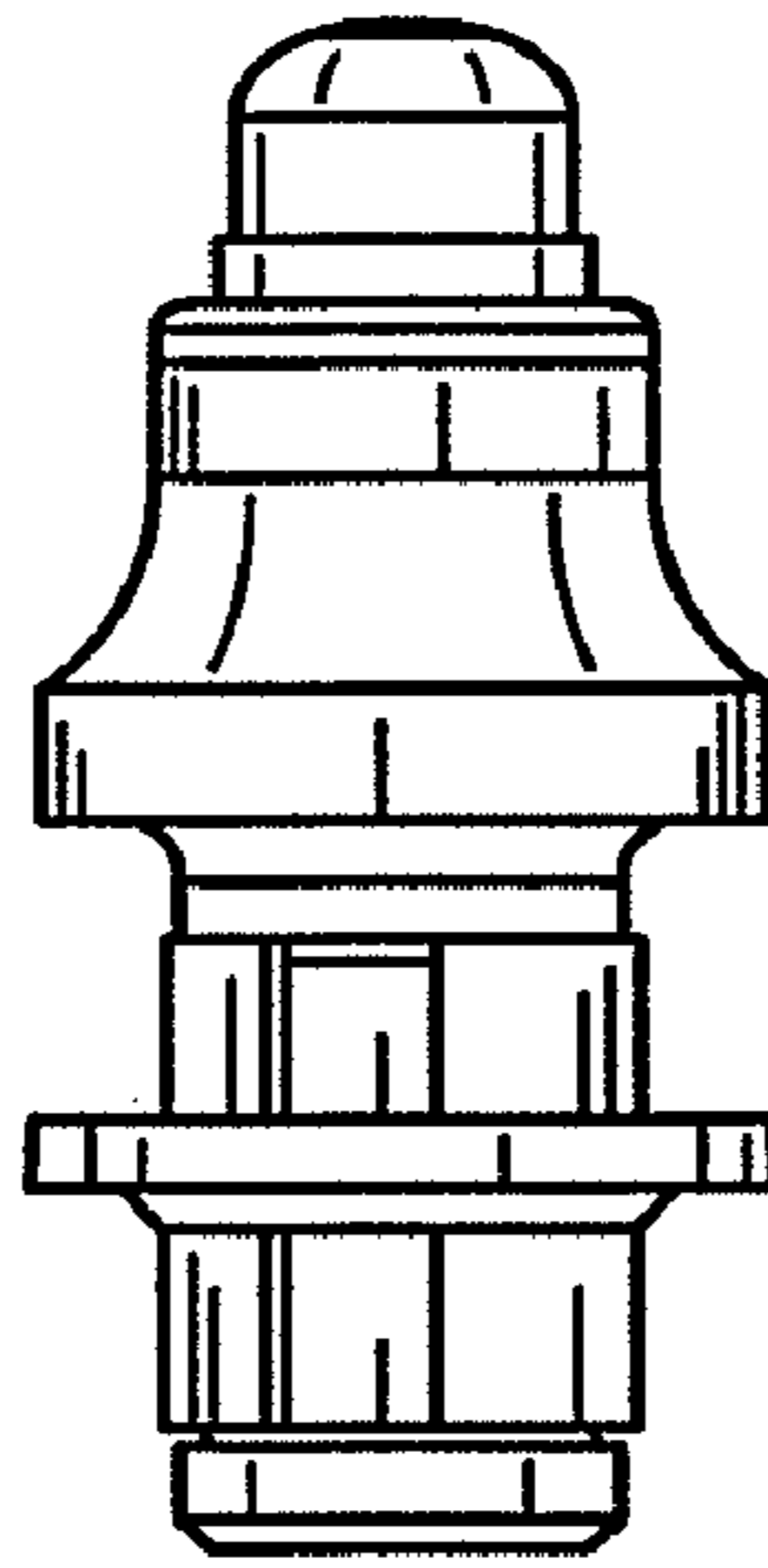


FIG. 4

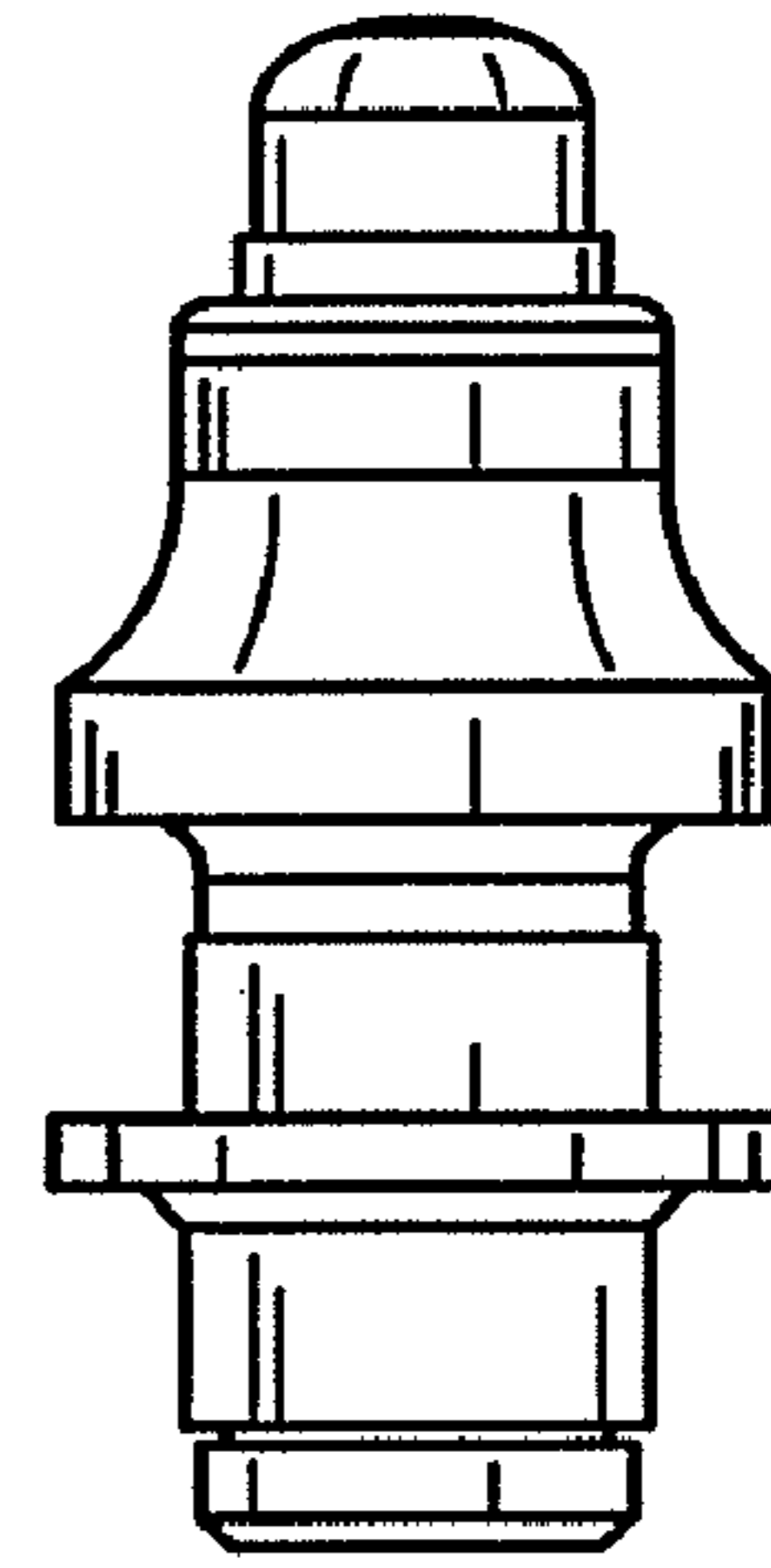


FIG. 5

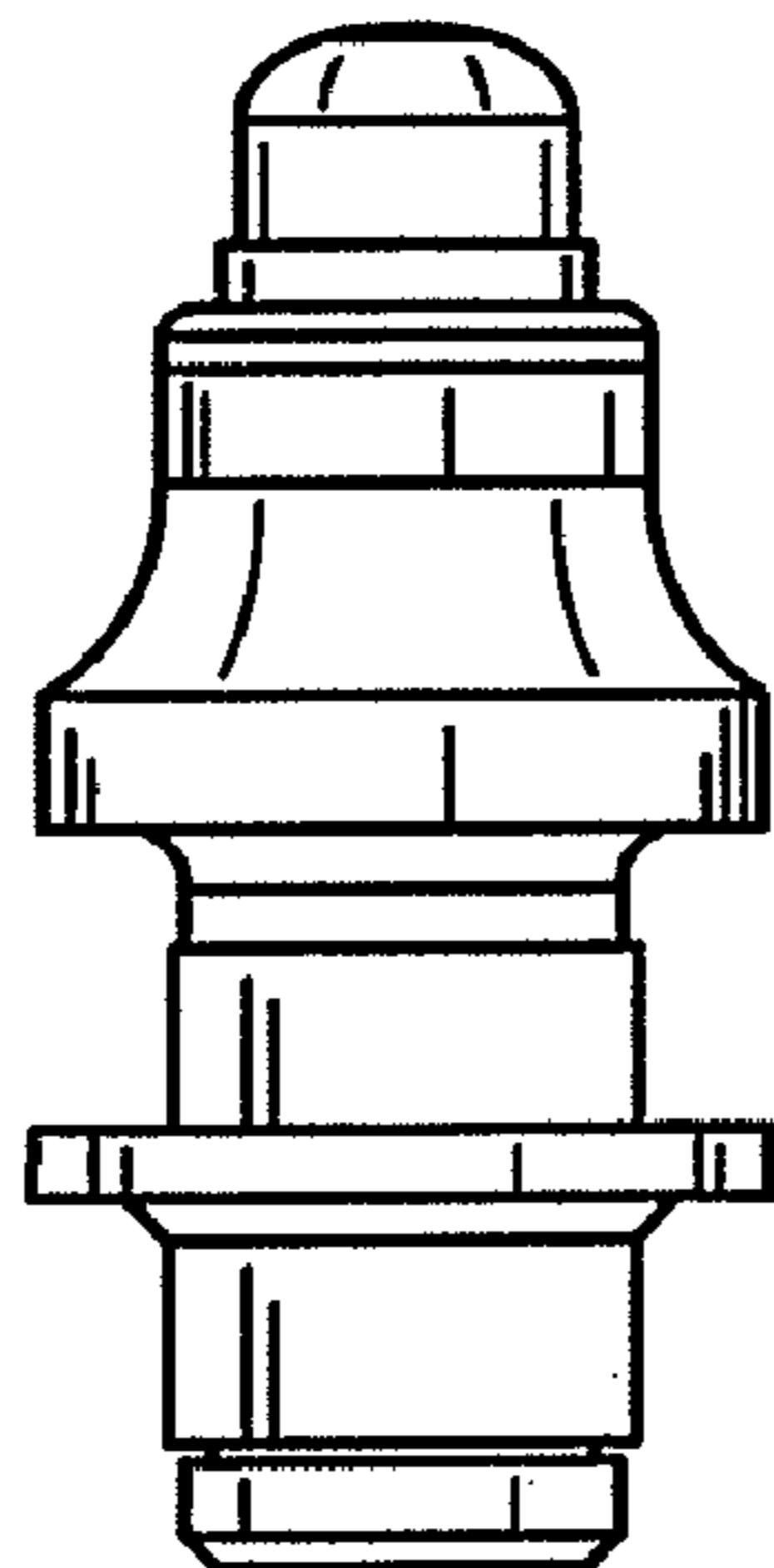


FIG. 6

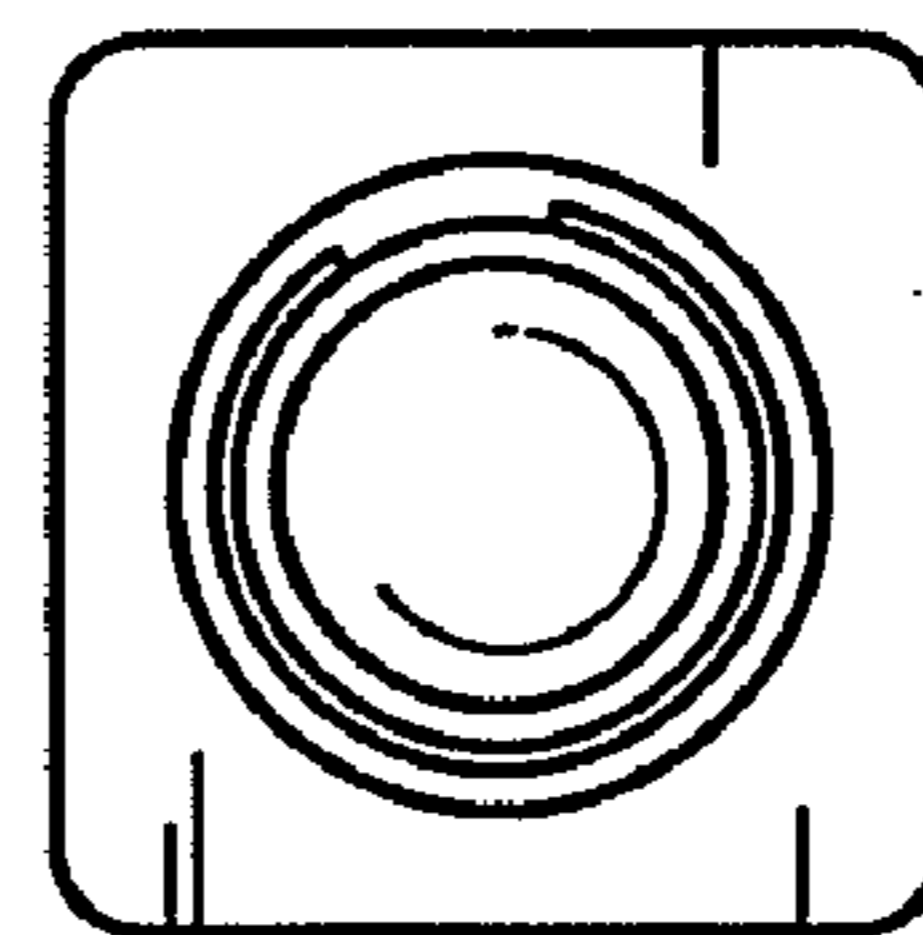


FIG. 7