



US00D630229S

(12) **United States Design Patent**
Dreifert

(10) **Patent No.:** **US D630,229 S**

(45) **Date of Patent:** **** Jan. 4, 2011**

(54) **VACUUM PUMP**

D470,509 S * 2/2003 Chen D15/9
D573,607 S * 7/2008 Bulter D15/7

(75) Inventor: **Thomas Dreifert**, Kerpen (DE)

* cited by examiner

(73) Assignee: **Oerlikon Leybold Vacuum GmbH**,
Cologne (DE)

Primary Examiner—Ralf Seifert

(74) *Attorney, Agent, or Firm*—Fay Sharpe LLP

(**) Term: **14 Years**

(57) **CLAIM**

(21) Appl. No.: **29/337,781**

The ornamental design for a vacuum pump, as shown and described.

(22) Filed: **May 29, 2009**

(30) **Foreign Application Priority Data**

DESCRIPTION

Dec. 1, 2008 (EP) 001048839

FIG. 1 is a perspective view from the top front left side;

(51) **LOC (9) Cl.** **15-02**

FIG. 2 is a rear view;

(52) **U.S. Cl.** **D15/7**

FIG. 3 is a front view;

(58) **Field of Classification Search** D15/7-9;
D23/231, 232, 225; 417/410.1, 359, 415-416,
417/234, 321, 265, 405

FIG. 4 is a top view;

FIG. 5 is a bottom view;

See application file for complete search history.

FIG. 6 is a view from the left side; and,

FIG. 7 is a view from the right side.

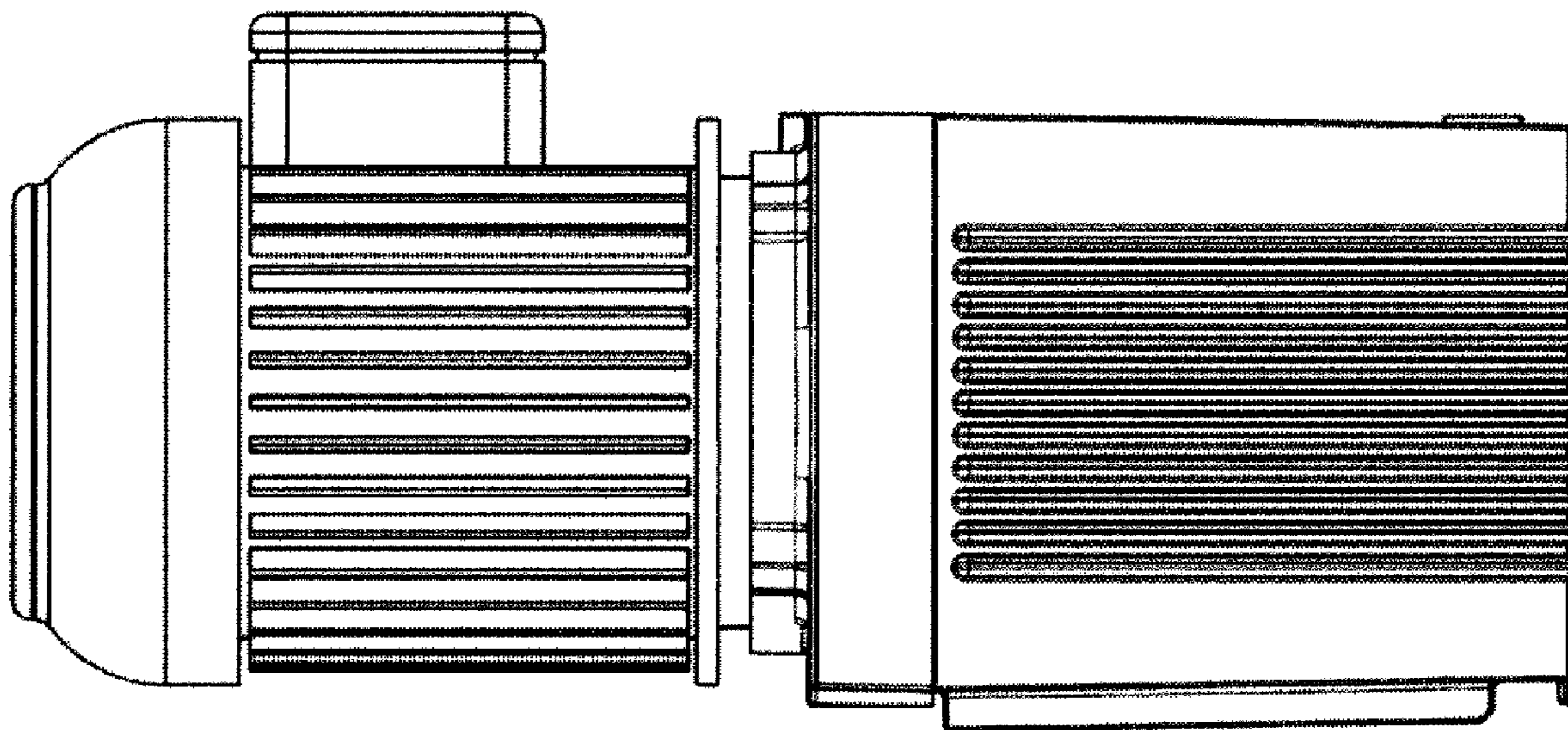
(56) **References Cited**

The broken lines are included for the purpose of illustrating a portion of the vacuum pump that forms no part of the claimed design.

U.S. PATENT DOCUMENTS

D273,958 S * 5/1984 Mariol D15/9

1 Claim, 3 Drawing Sheets



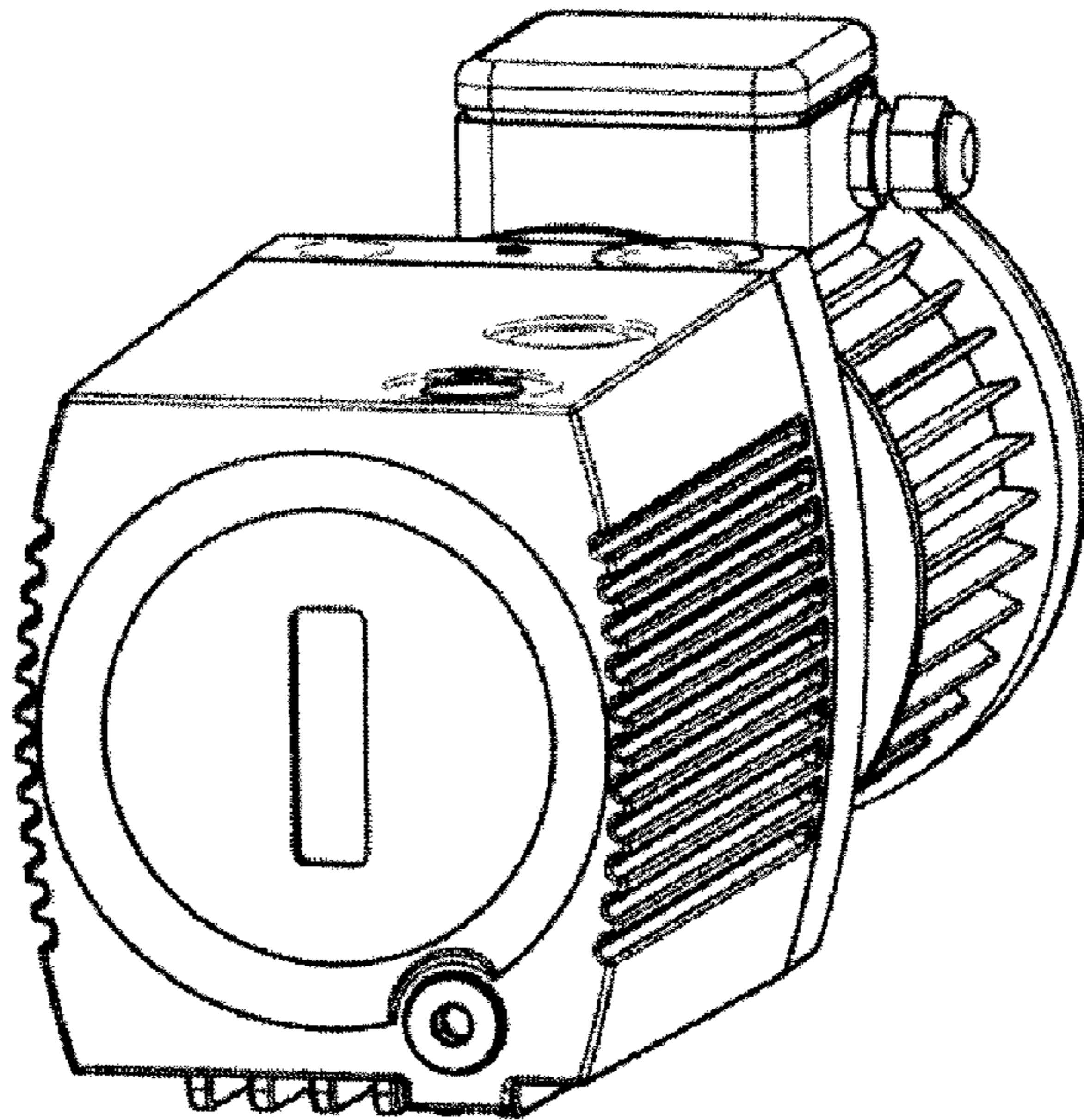


FIGURE 1

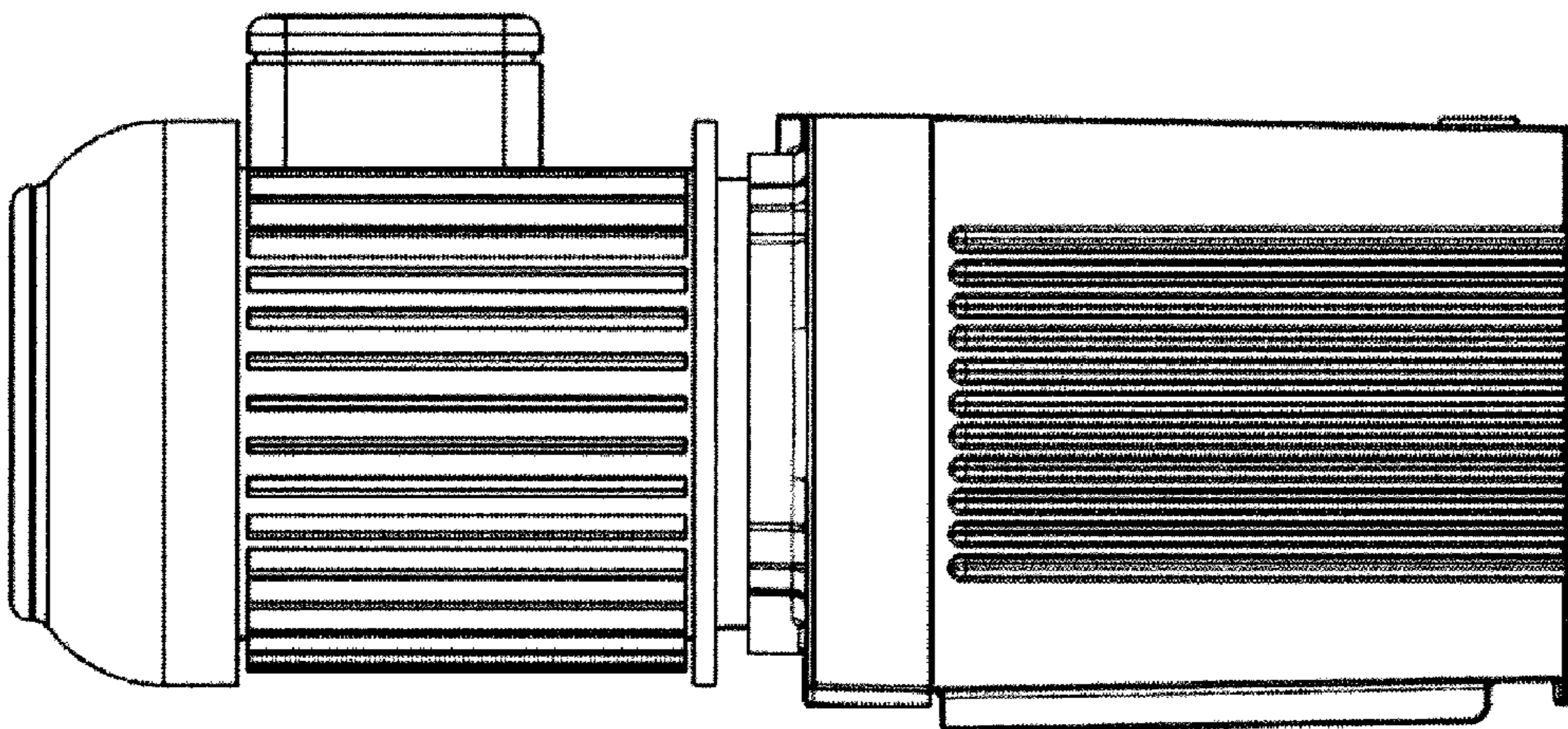


FIGURE 2

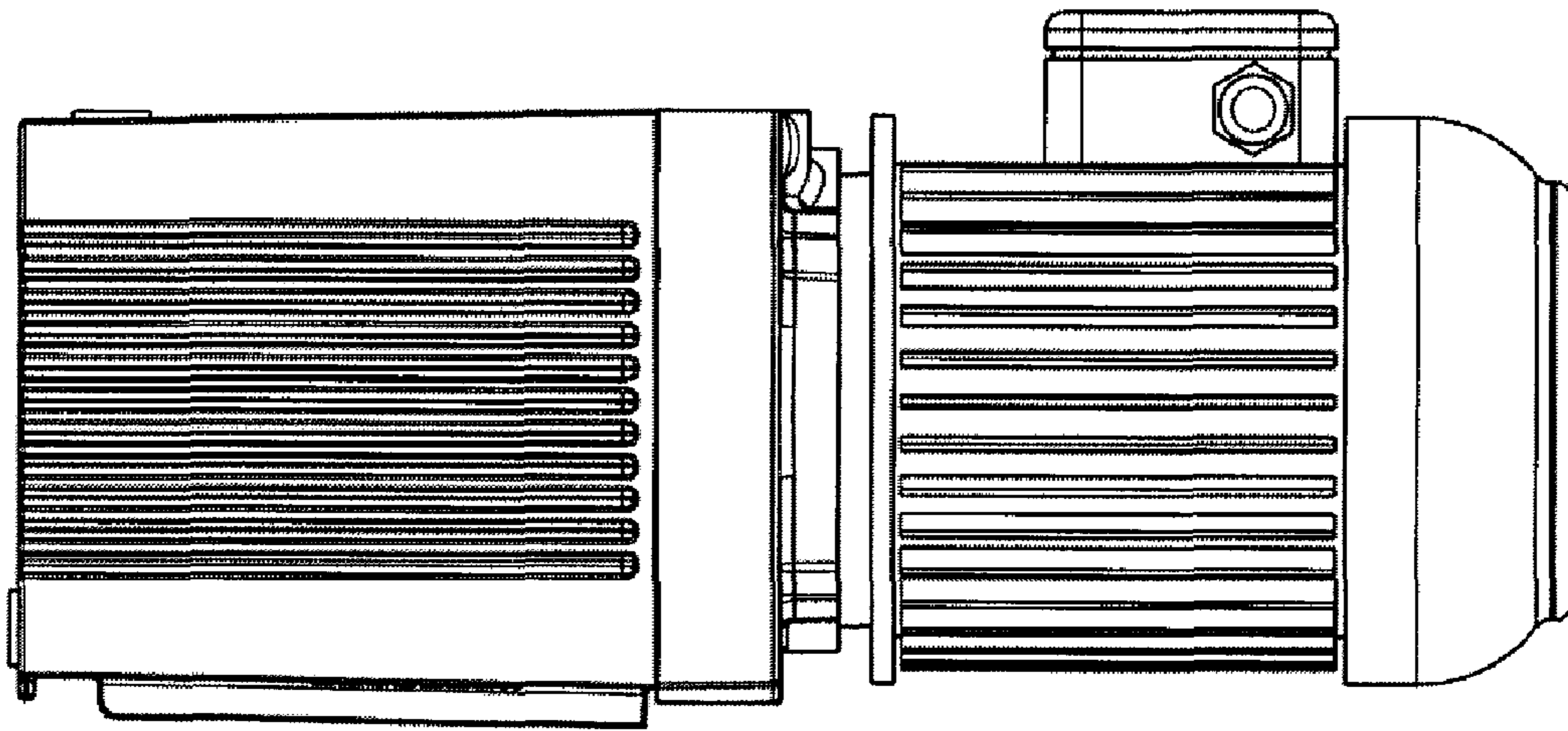


FIGURE 3

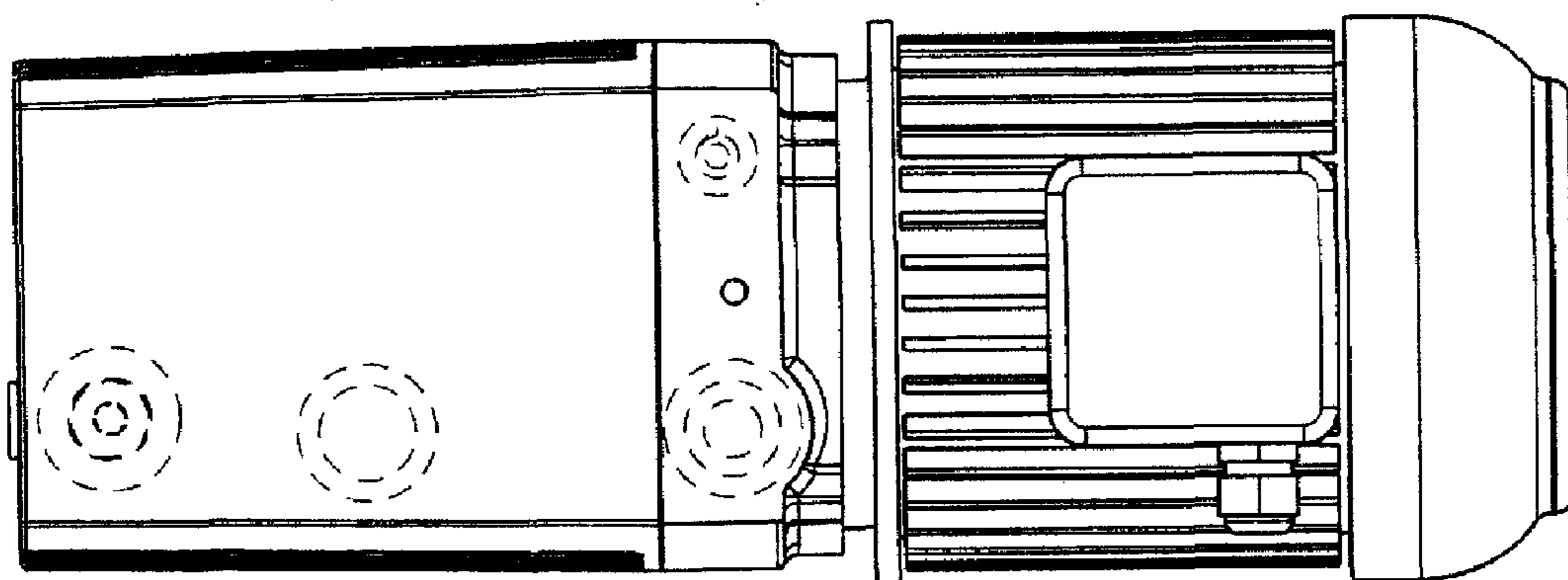


FIGURE 4

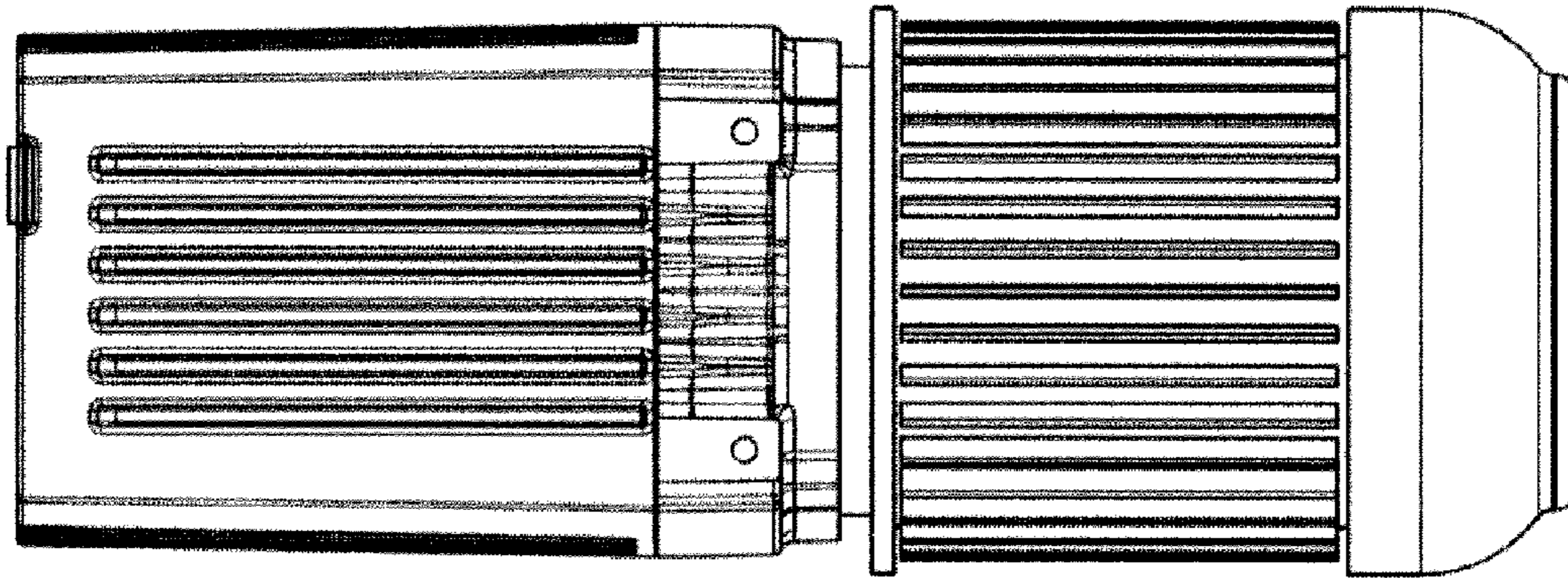


FIGURE 5

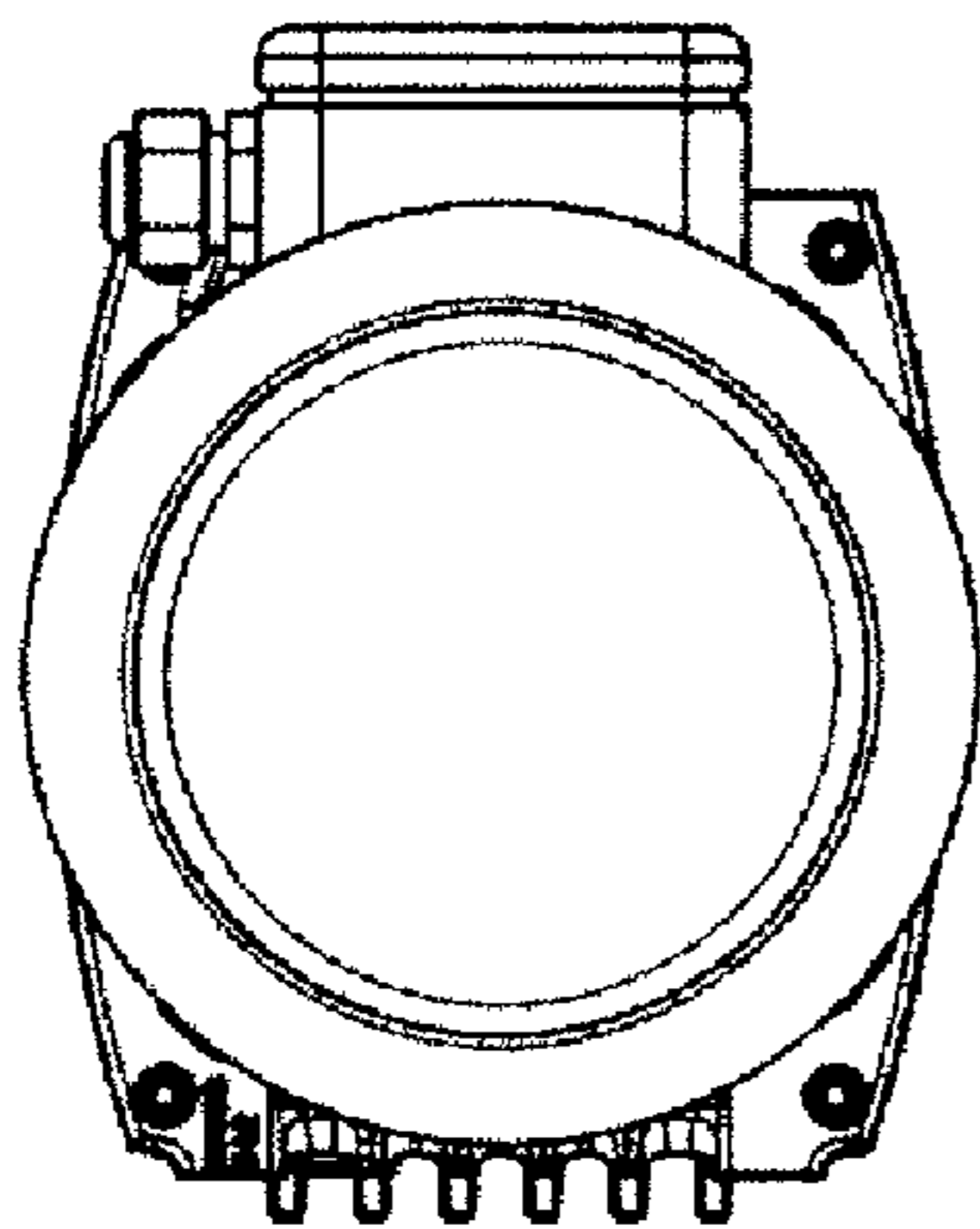


FIGURE 6

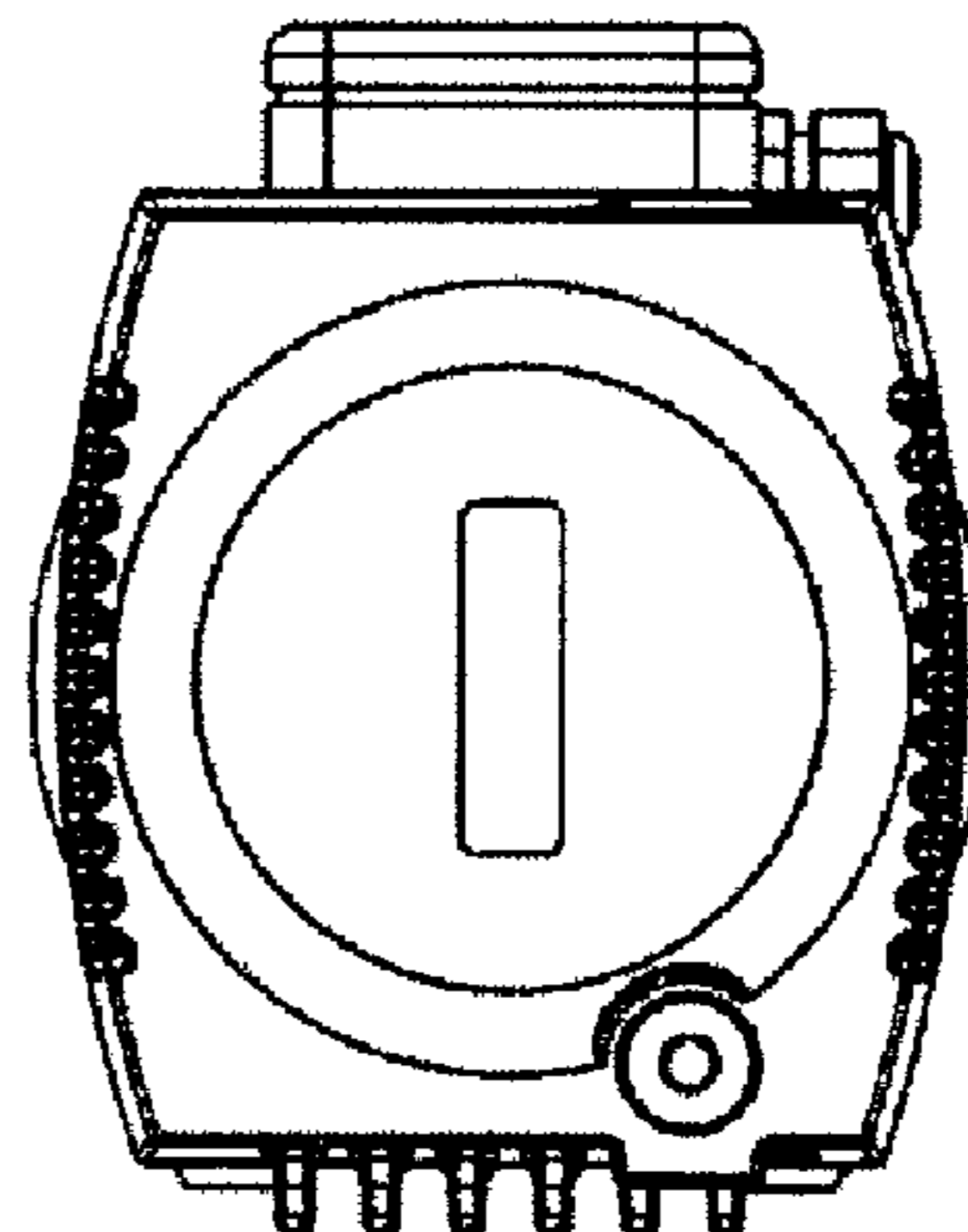


FIGURE 7