



US00D630228S

(12) **United States Design Patent**
Kim

(10) **Patent No.:** **US D630,228 S**

(45) **Date of Patent:** **** Jan. 4, 2011**

(54) **A/V RECEIVER**

(75) **Inventor:** **Jae-Hyung Kim**, Kyunggi-do (KR)

(73) **Assignee:** **Samsung Electronics Co., Ltd.**, Suwon, Kyunggi-do (KR)

(**) **Term:** **14 Years**

(21) **Appl. No.:** **29/348,978**

(22) **Filed:** **Feb. 26, 2010**

D568,337 S *	5/2008	An	D14/496
D571,754 S	6/2008	Cho et al.	
D574,793 S	8/2008	Kim et al.	
D584,254 S	1/2009	Jeon et al.	
D584,701 S	1/2009	Kim et al.	
D585,395 S	1/2009	Cho et al.	
D587,223 S	2/2009	Chun	
D587,224 S	2/2009	Chun et al.	
D588,559 S	3/2009	Kim et al.	
D592,619 S	5/2009	Woo et al.	
D592,620 S	5/2009	Kim et al.	
D593,971 S	6/2009	Kim et al.	

(Continued)

(51) **LOC (9) Cl.** **14-03**

(52) **U.S. Cl.** **D14/496**

(58) **Field of Classification Search** D14/496,
D14/401, 435, 474, 483, 217, 137, 138, 160,
D14/168, 356, 203.1–203.8, 507, 125–134,
D14/239; 345/156, 169, 173–179, 905;
715/727–729, 864; 710/1, 5, 8; 713/1, 600;
455/1.1, 1.7, 73, 344–347, 93, 95, 3.01–3.06,
455/550.1, 573.1; 370/342–344; 369/1,
369/2, 6–12; 463/43–47; 273/148 B

See application file for complete search history.

(56) **References Cited**

U.S. PATENT DOCUMENTS

5,914,707 A *	6/1999	Kono	345/173
D425,033 S *	5/2000	Hibino	D14/357
6,275,882 B1 *	8/2001	Cheever et al.	710/302
6,908,387 B2 *	6/2005	Hedrick et al.	463/31
6,955,606 B2 *	10/2005	Taho et al.	463/43
7,090,582 B2 *	8/2006	Danieli et al.	463/35
D529,879 S	10/2006	Park et al.	
D533,157 S	12/2006	Park	
D540,776 S *	4/2007	Kim et al.	D14/188
D541,811 S	5/2007	Park	
D544,455 S	6/2007	Park et al.	
D545,774 S	7/2007	Woo et al.	
D551,183 S	9/2007	Park et al.	
D560,176 S	1/2008	Woo	
D560,177 S	1/2008	Chun et al.	
D560,689 S	1/2008	Cho	
D565,061 S *	3/2008	Tsuboi	D14/496
D567,193 S	4/2008	Kang et al.	

OTHER PUBLICATIONS

U.S. Appl. No. 29/348,336, Applicant: Jae-Hyung Kim, filed Dec. 22, 2009 entitled A/V Receiver.

(Continued)

Primary Examiner—Prabhakar Deshmukh
(74) *Attorney, Agent, or Firm*—Flynn, Thiel, Boutell & Tanis, P.C.

(57) **CLAIM**

The ornamental design for an A/V receiver, as shown and described.

DESCRIPTION

FIG. 1 is a top front perspective view of an A/V receiver showing my new design;

FIG. 2 is a front elevational view thereof;

FIG. 3 is a rear elevational view thereof;

FIG. 4 is a left side elevational view thereof;

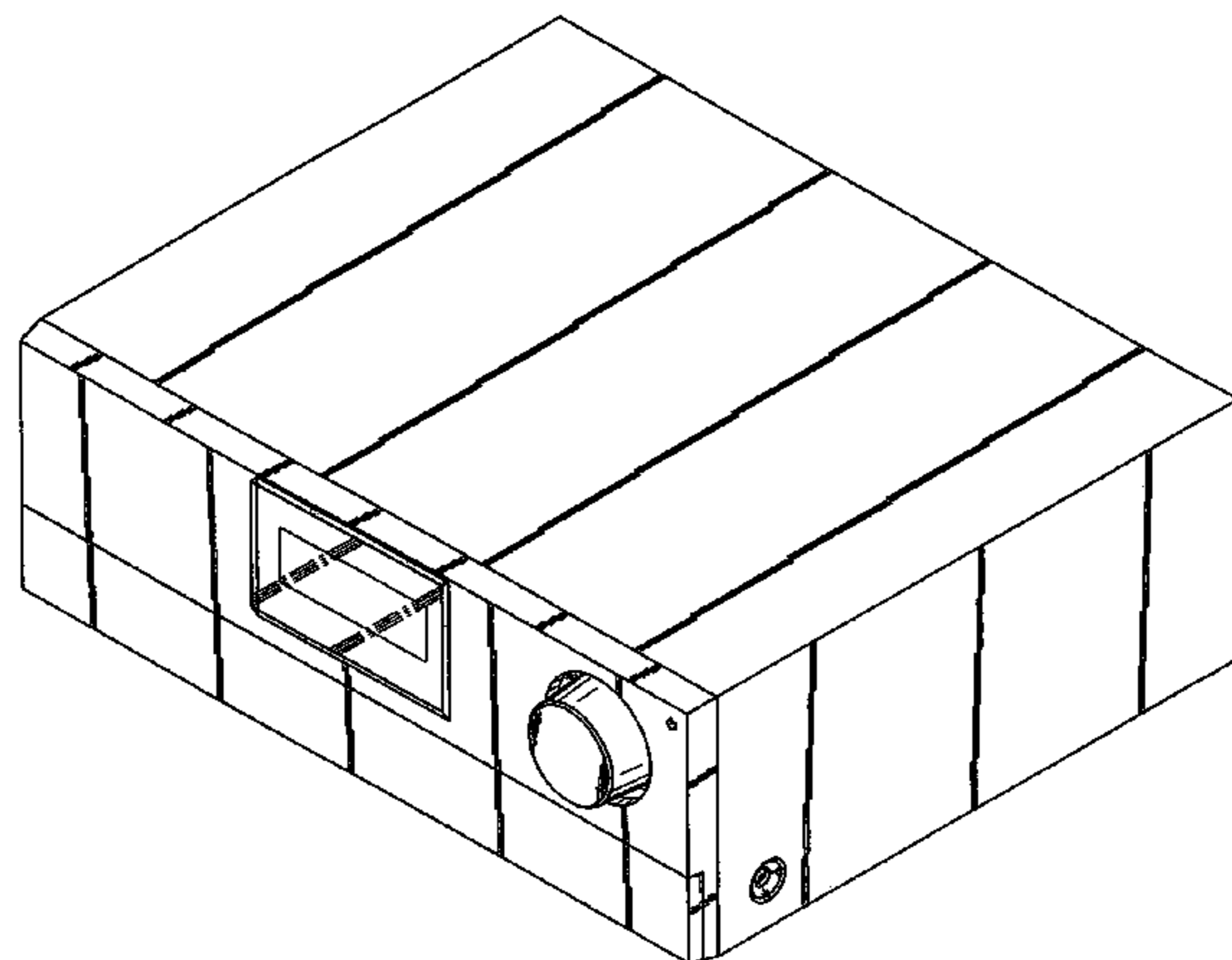
FIG. 5 is a right side elevational view thereof;

FIG. 6 is a top plan view thereof; and,

FIG. 7 is a bottom plan view thereof.

The broken lines depict environmental subject matter only and form no part of the claimed design.

1 Claim, 5 Drawing Sheets



US D630,228 S

Page 2

U.S. PATENT DOCUMENTS

D593,972 S 6/2009 Cho et al.
D593,973 S 6/2009 Cho et al.
D596,149 S 7/2009 Cho et al.
D599,753 S 9/2009 Cho et al.
D602,887 S 10/2009 Cho et al.
D602,888 S 10/2009 Cho et al.
D602,889 S 10/2009 Cho et al.
D602,890 S 10/2009 Cho et al.
D608,310 S 1/2010 Cho et al.

D608,744 S 1/2010 Kim et al.
D608,745 S 1/2010 Cho et al.
D609,656 S 2/2010 Cho et al.
D610,102 S 2/2010 Cho et al.

OTHER PUBLICATIONS

U.S. Appl. No. 29/348,977, Applicant: Jae-Hyung Kim, filed Feb. 26, 2010 entitled A/V Receiver.

* cited by examiner

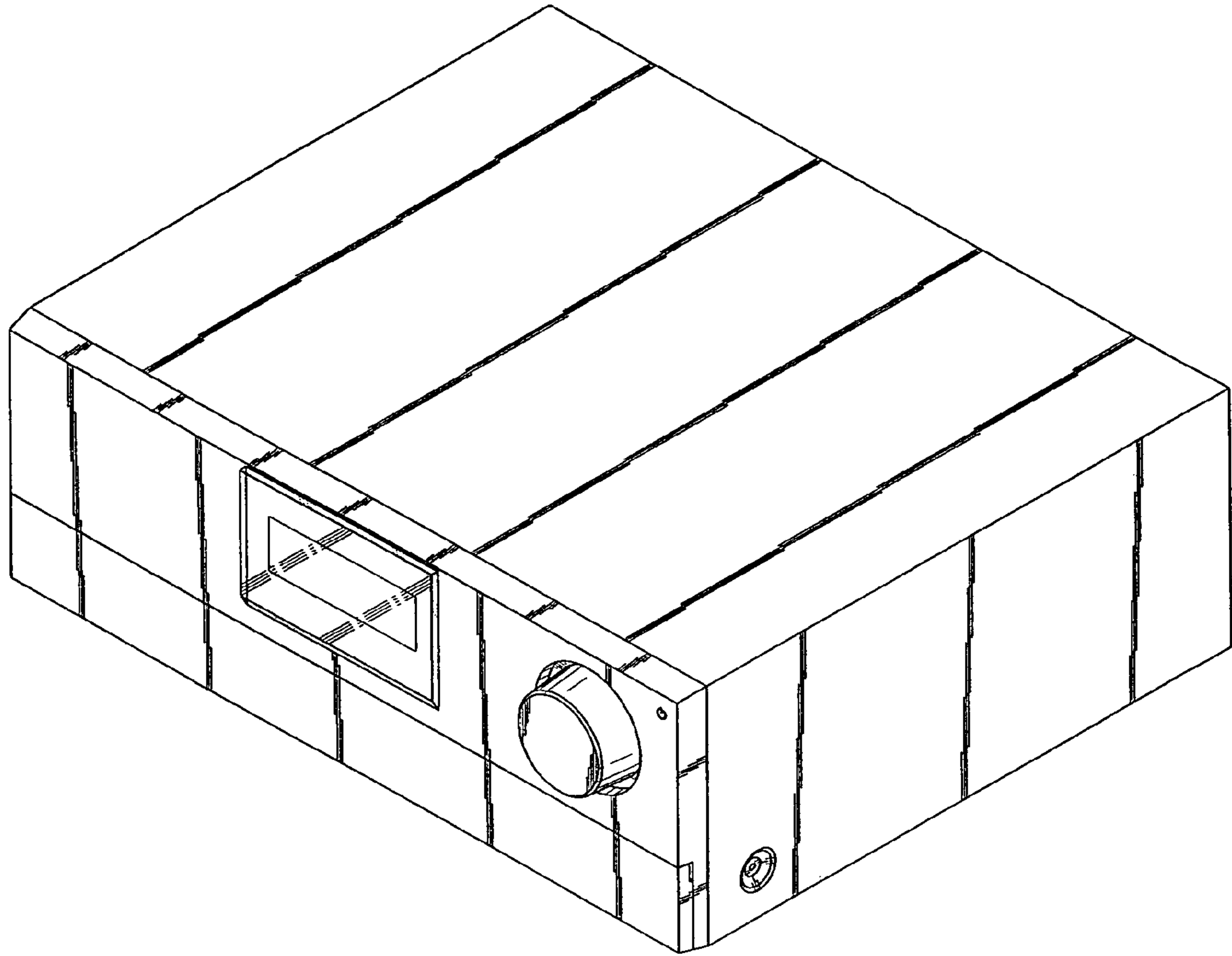


FIG. 1

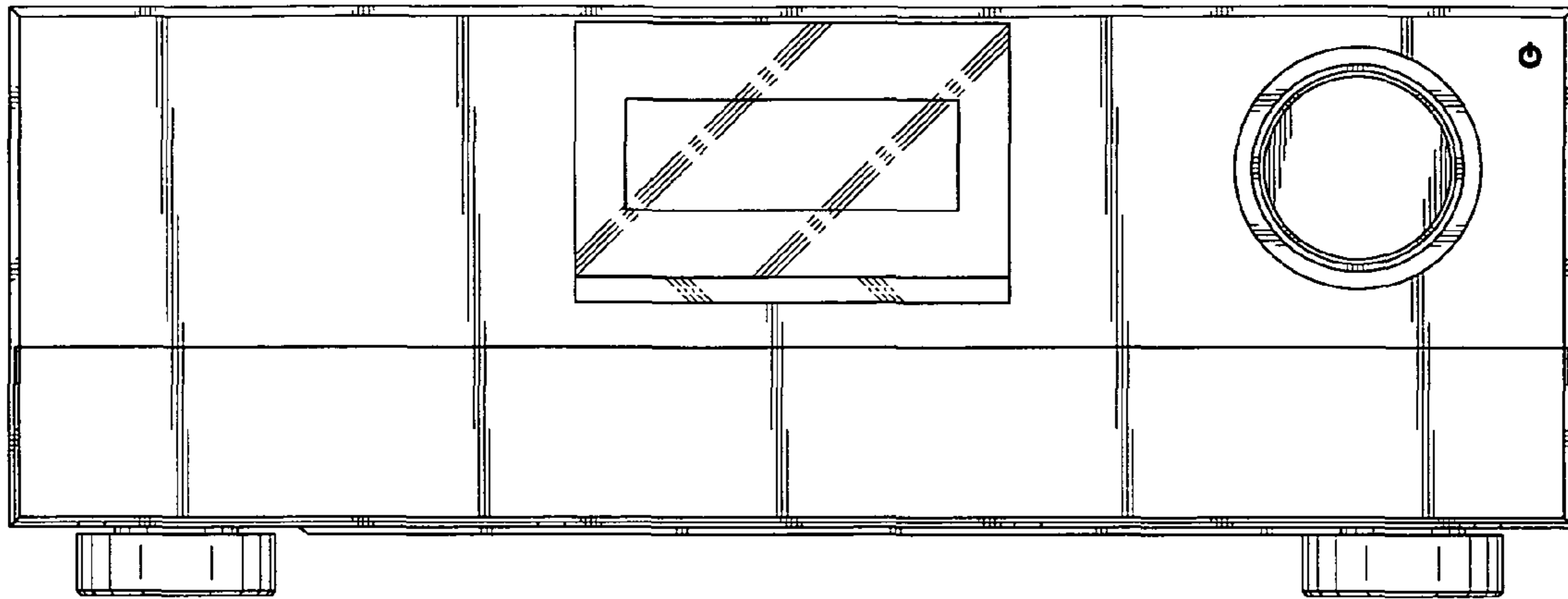


FIG. 2

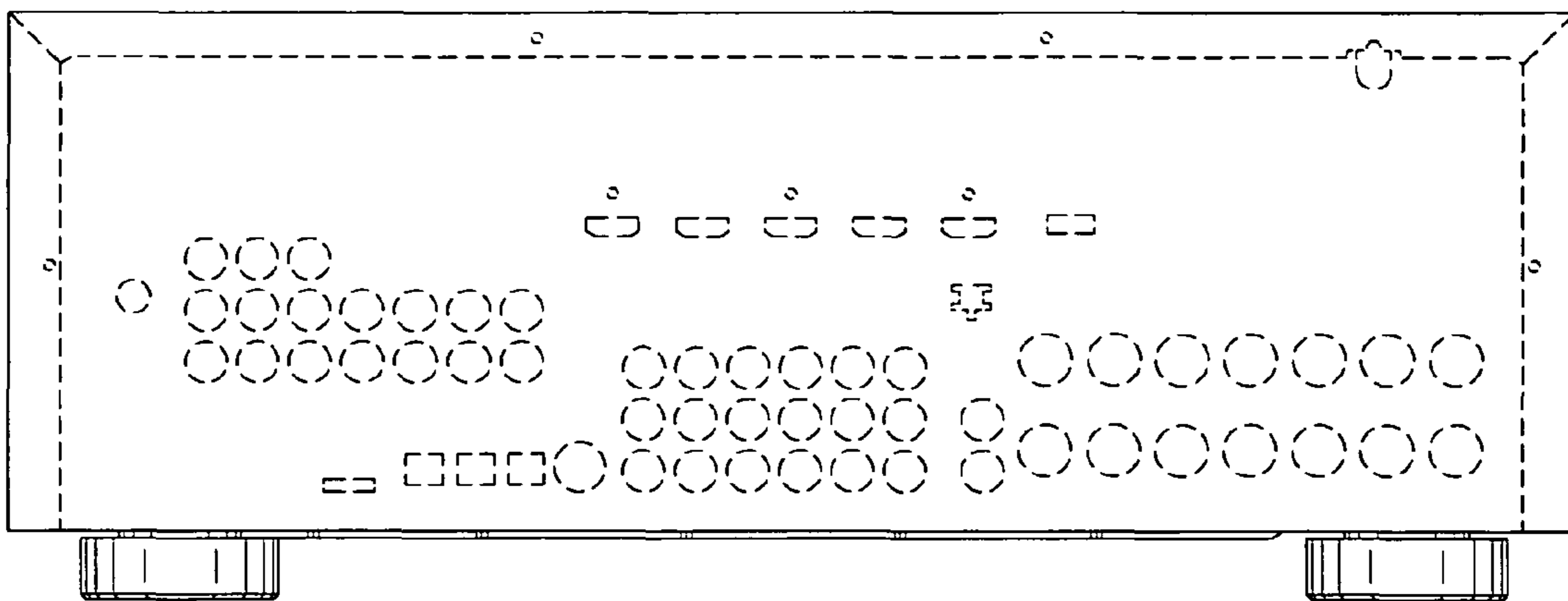


FIG. 3

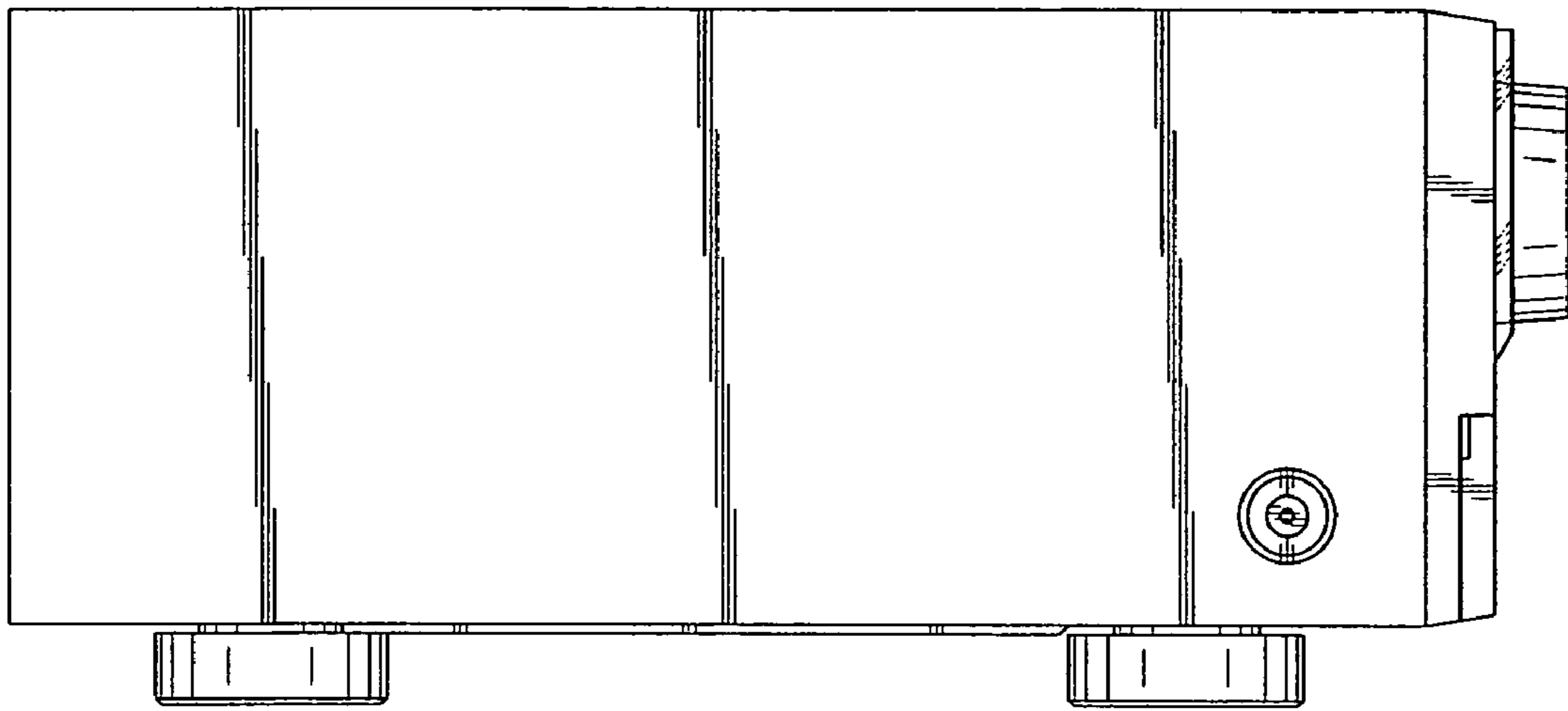


FIG. 4

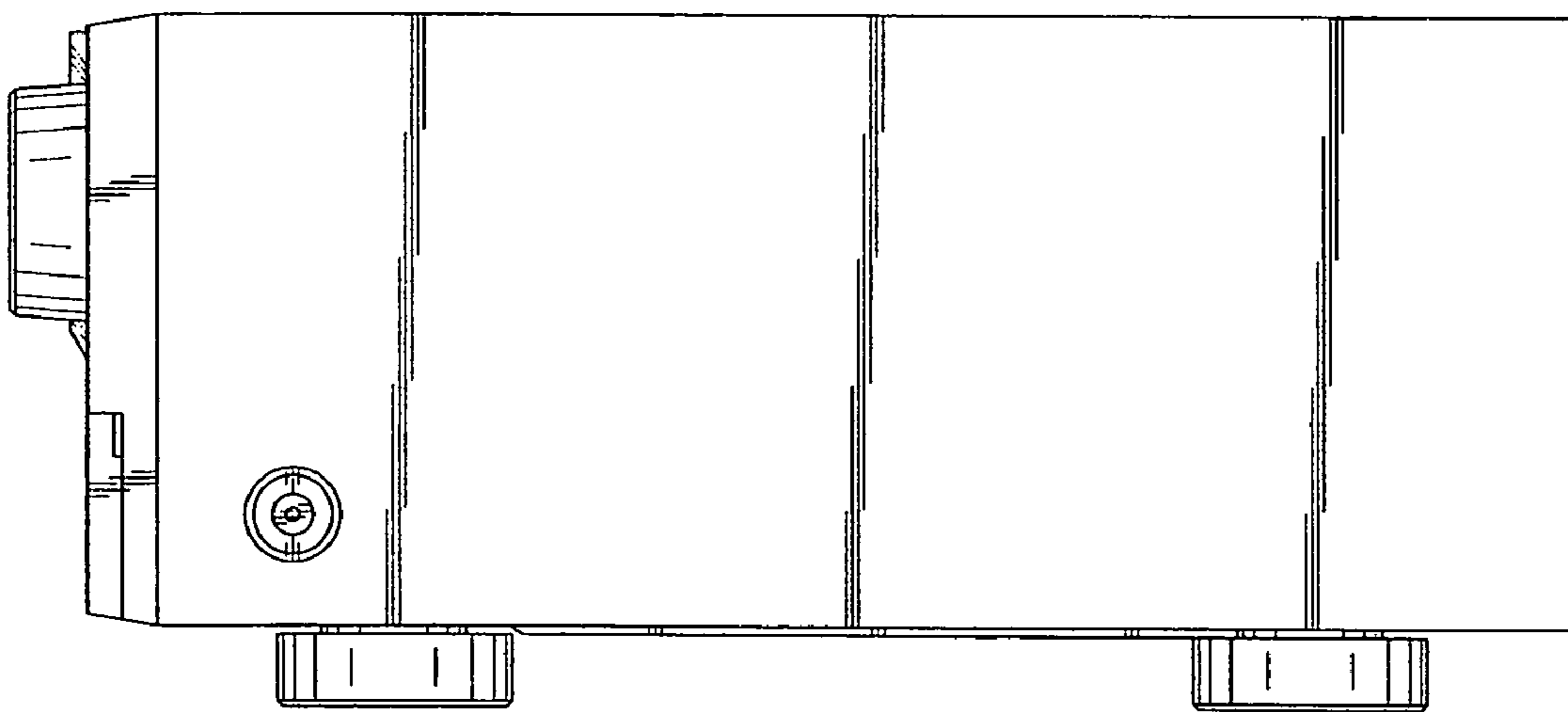


FIG. 5

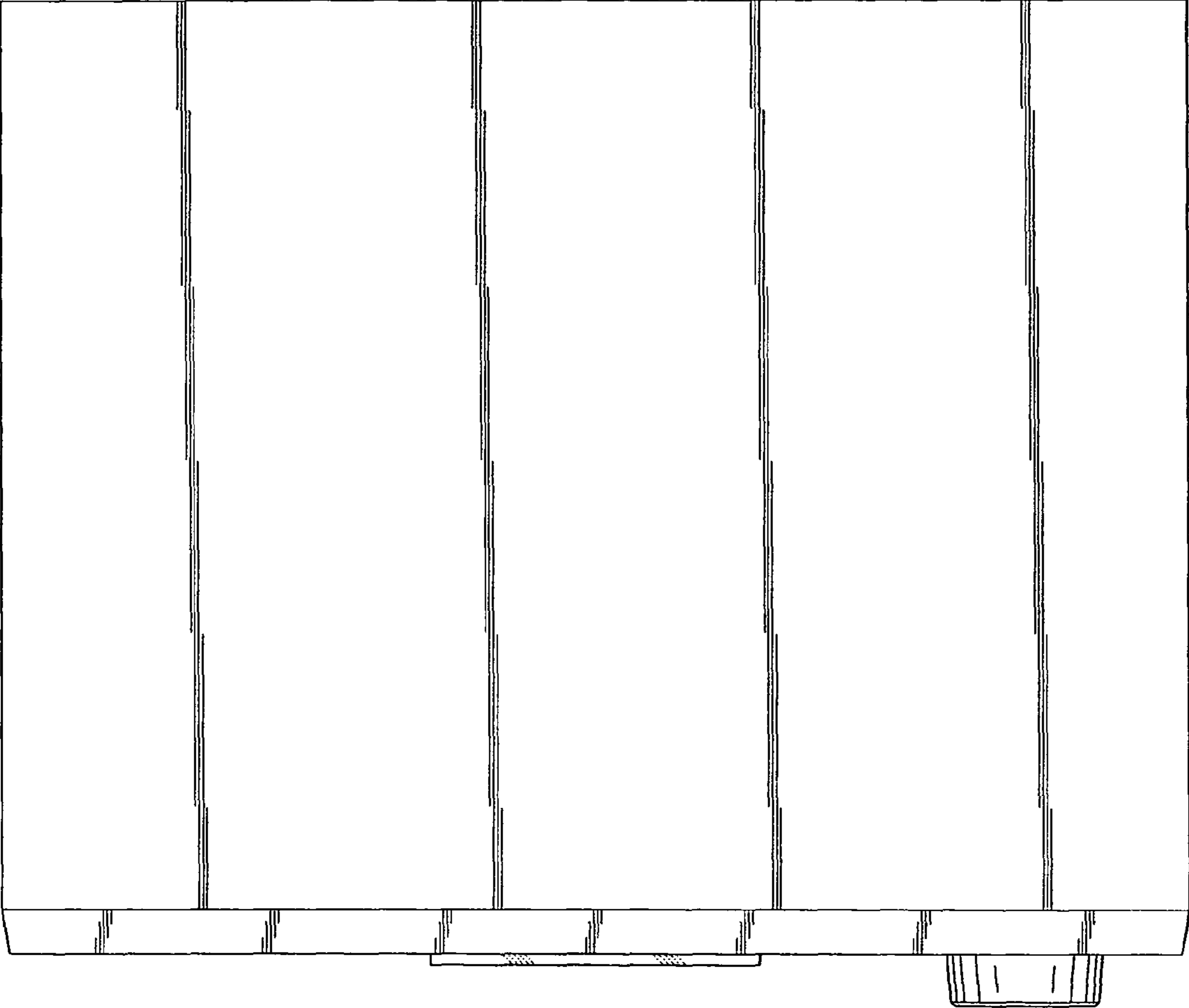


FIG. 6

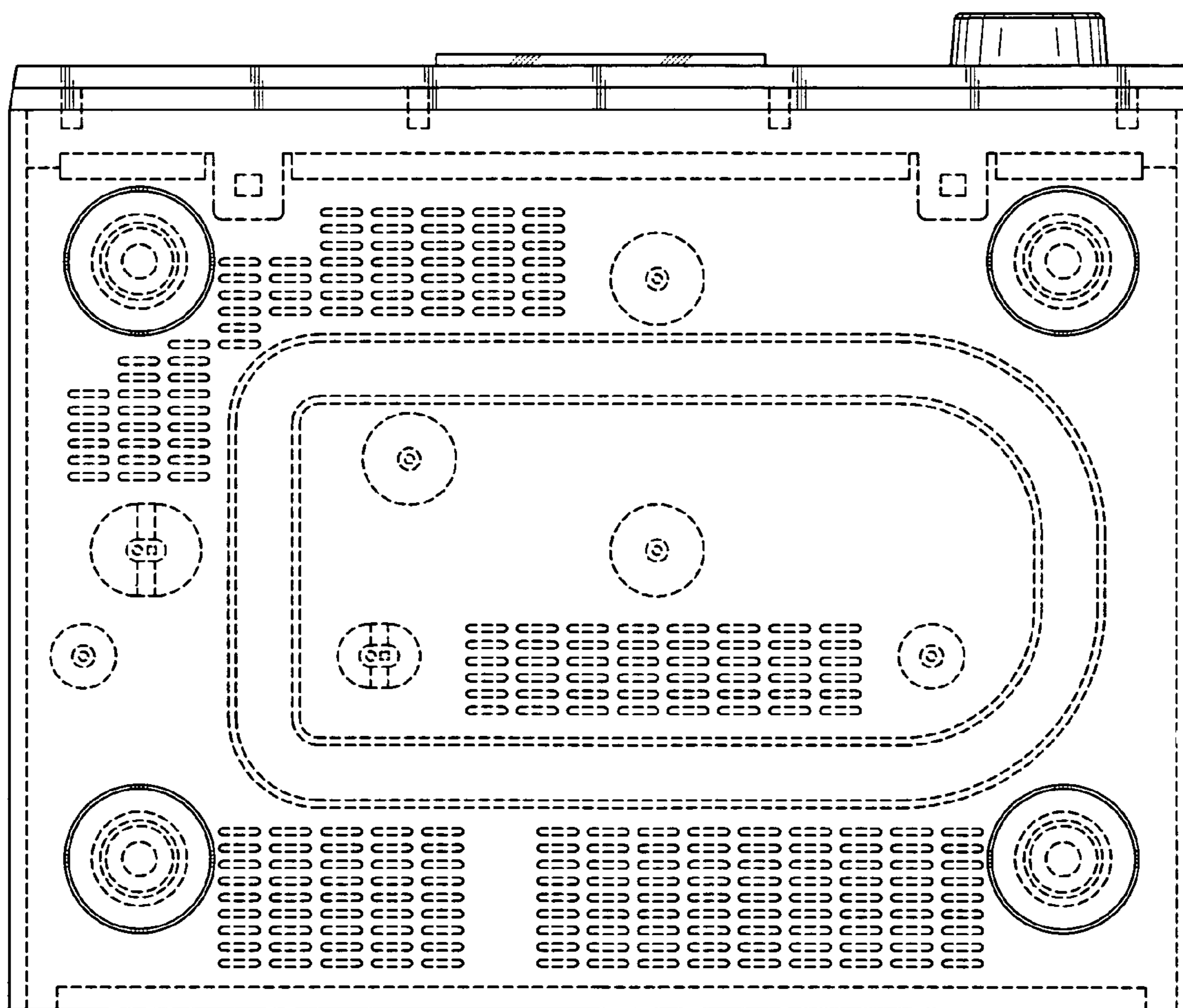


FIG. 7