



US00D630223S

(12) **United States Design Patent**
Shih

(10) **Patent No.:** **US D630,223 S**

(45) **Date of Patent:** **** Jan. 4, 2011**

(54) **BASE STAND FOR DISPLAY**

(75) Inventor: **Yi-Hsiu Shih**, Taipei County (TW)

(73) Assignee: **Amtran Technology Co., Ltd**, Taipei County (TW)

(**) Term: **14 Years**

(21) Appl. No.: **29/360,284**

(22) Filed: **Apr. 22, 2010**

(51) **LOC (9) Cl.** **08-07**

(52) **U.S. Cl.** **D14/451**

(58) **Field of Classification Search** D14/447,
D14/451, 452, 239, 432, 434, 439, 448, 457,
D14/251, 253, 224, 224.1, 126, 127, 371,
D14/373, 374, 375; D8/363, 373, 380; 248/917,
248/918, 919, 920, 921, 922, 923, 924, 441.1,
248/460, 122.1, 125.7, 371, 176.1, 176.3,
248/222.52, 276.1, 324; 361/679.06, 679.04,
361/679.21, 679.22, 679.56

See application file for complete search history.

(56) **References Cited**

U.S. PATENT DOCUMENTS

D394,048 S *	5/1998	Lee	D14/375
D416,549 S *	11/1999	Coster et al.	D14/375
D452,500 S *	12/2001	Wu	D14/375
D476,005 S *	6/2003	Peng et al.	D14/375
D478,088 S *	8/2003	Hamouz	D14/451
D499,097 S *	11/2004	Tsuji et al.	D14/375
D538,763 S *	3/2007	Fujii et al.	D14/126
D541,235 S *	4/2007	Takami et al.	D14/126

D608,312 S * 1/2010 Lim et al. D14/126

D617,801 S * 6/2010 Chang et al. D14/451

D620,008 S * 7/2010 Lin et al. D14/374

D620,462 S * 7/2010 Shiraki et al. D14/126

2006/0016942 A1* 1/2006 Lo 248/131

* cited by examiner

Primary Examiner—Angela J Lee

(74) *Attorney, Agent, or Firm*—Tim Tingkang Xia; Morris, Manning & Martin, LLP

(57) **CLAIM**

The ornamental design for a base stand for display, as shown and described.

DESCRIPTION

FIG. 1 is a perspective view of base stand for display showing my new design;

FIG. 2 is a front view thereof;

FIG. 3 is a rear view thereof;

FIG. 4 is a left side elevational view thereof;

FIG. 5 is a right side elevational view thereof;

FIG. 6 is a top view thereof;

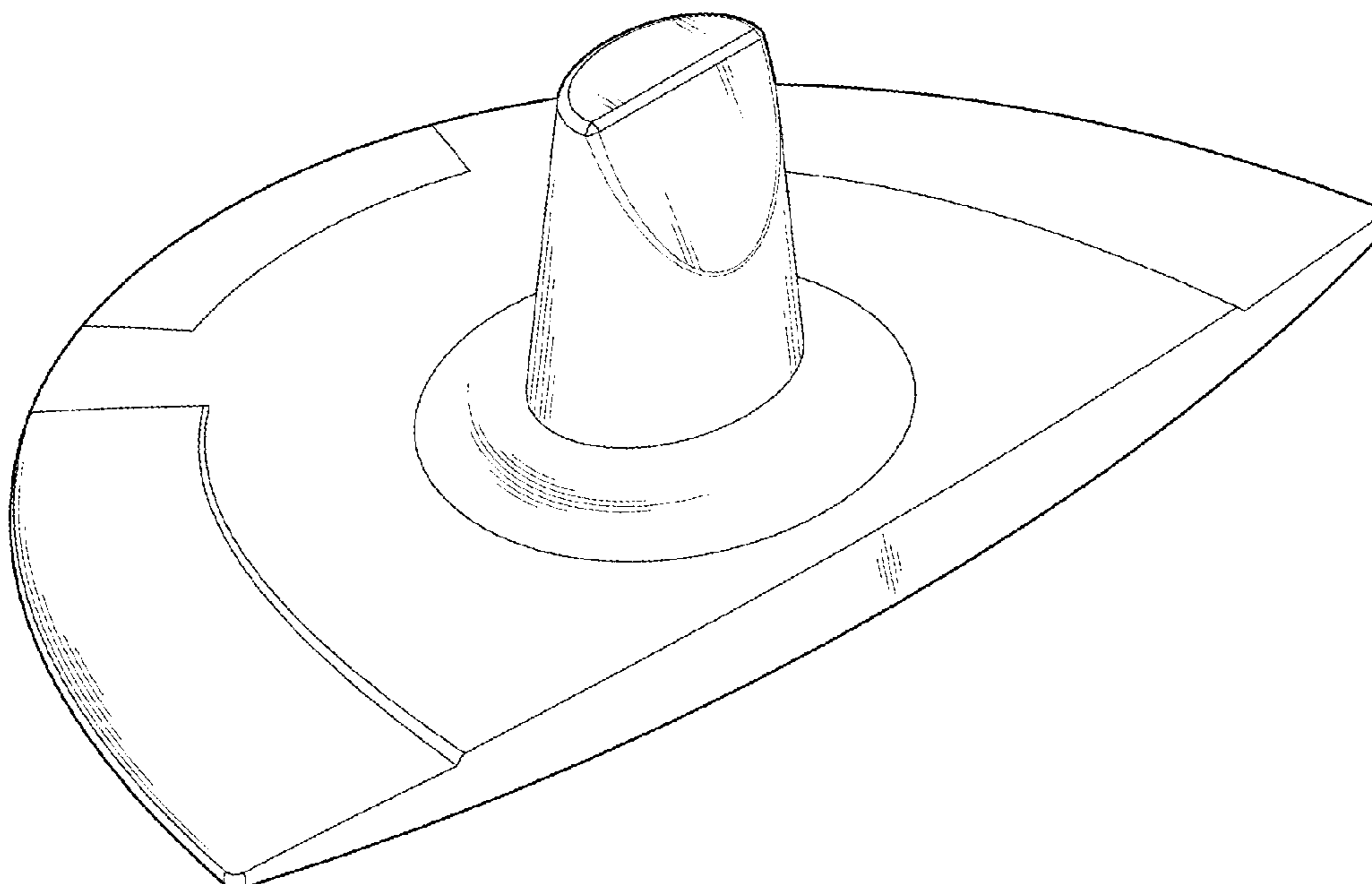
FIG. 7 is a bottom view thereof;

FIG. 8 is another perspective view thereof; and,

FIG. 9 is a usage state drawing of “base stand for display” showing our new design.

The broken line showing of a display is included for the purpose of illustrating environment and forms no part of the claimed design.

1 Claim, 7 Drawing Sheets



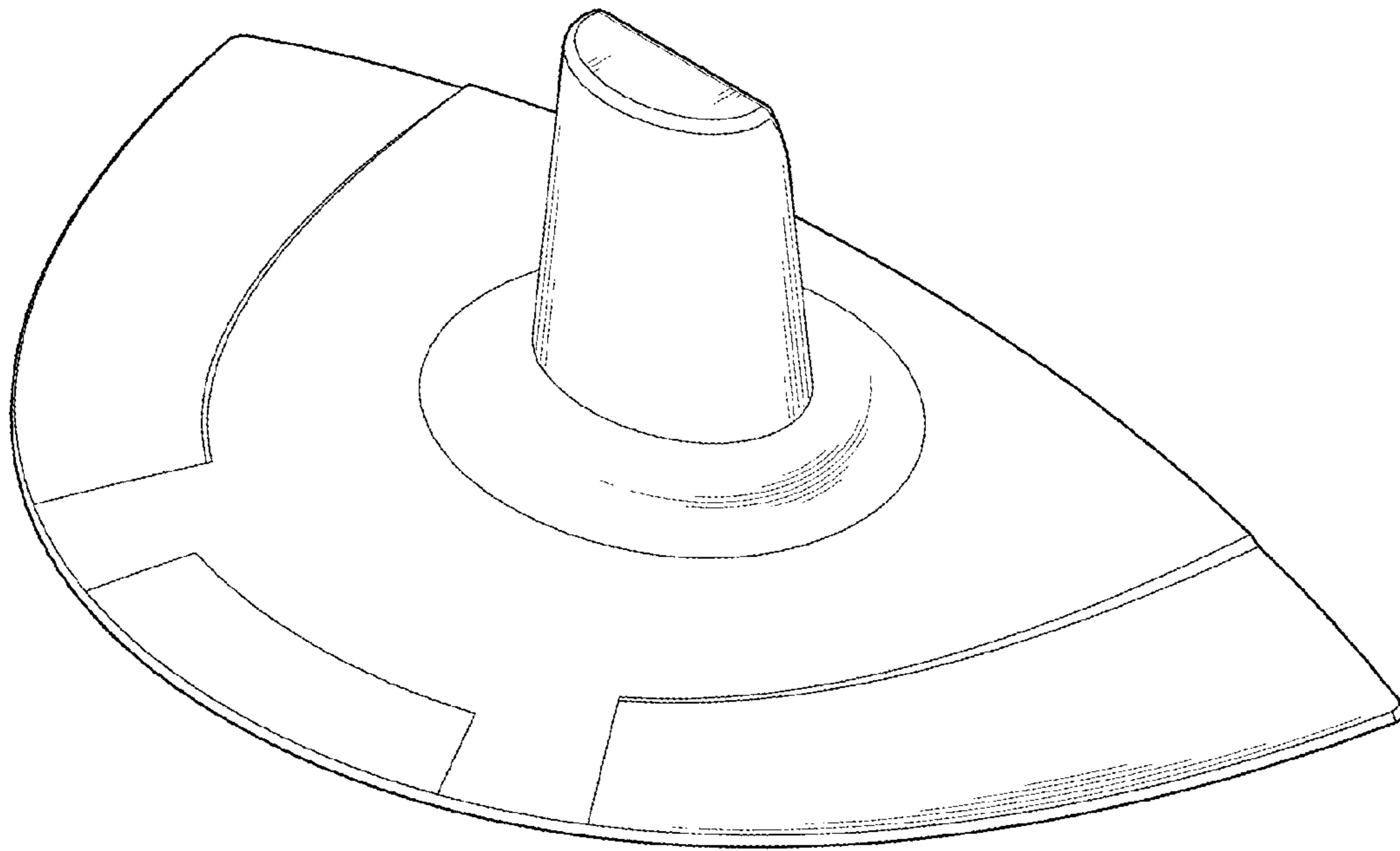


FIG. 1

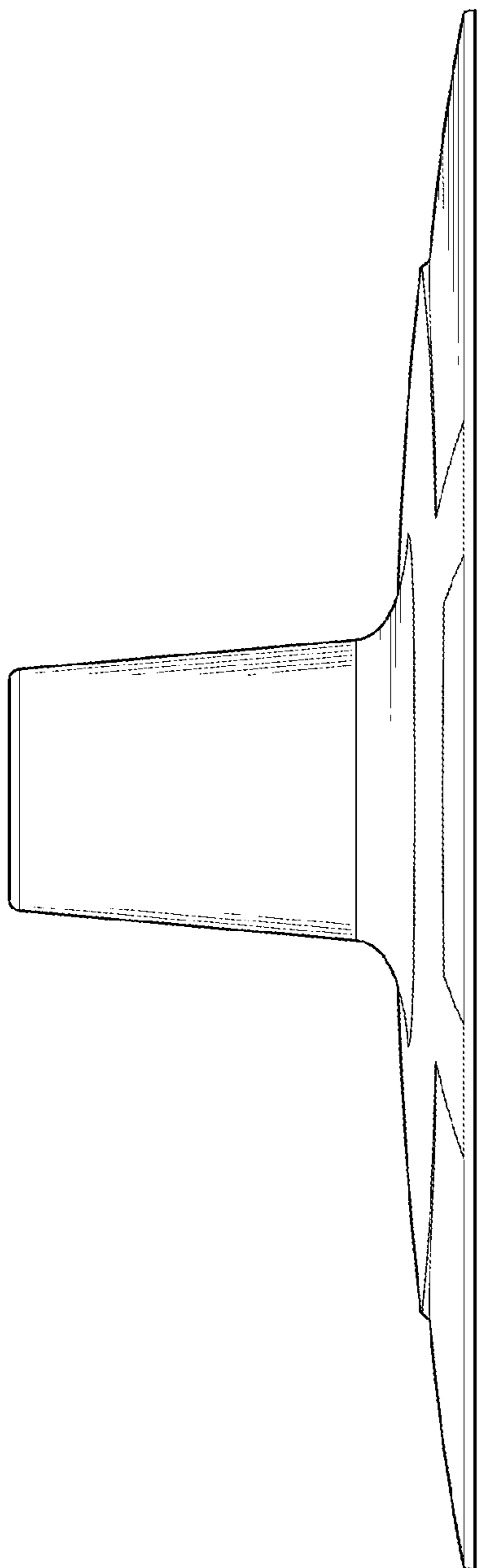


FIG. 2

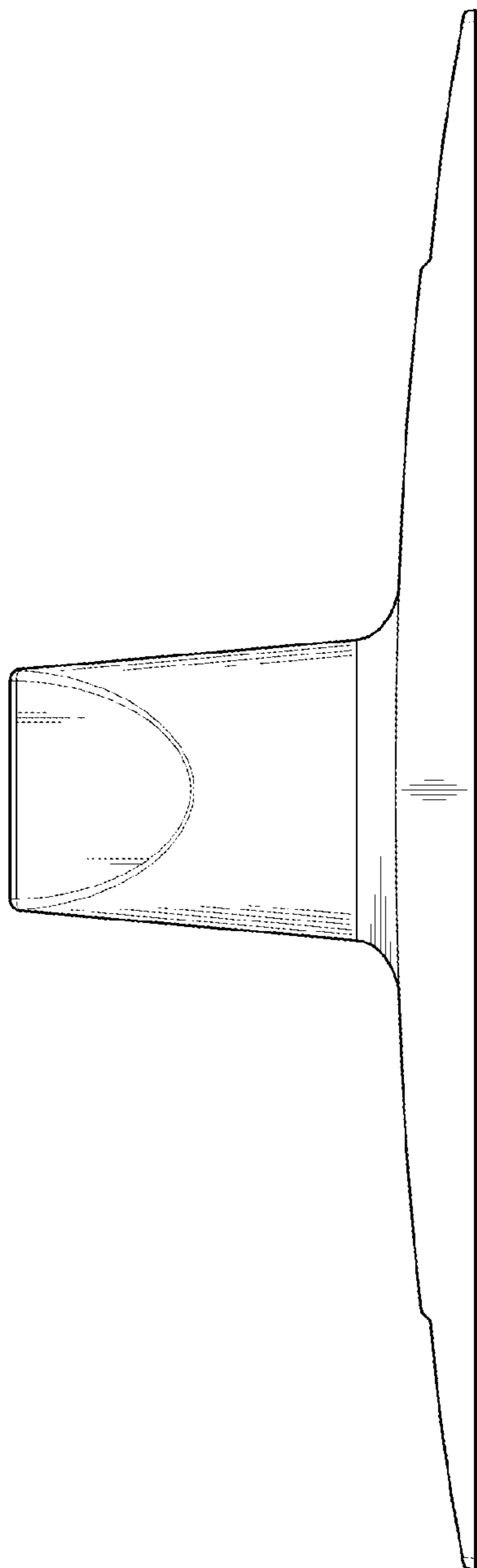


FIG. 3

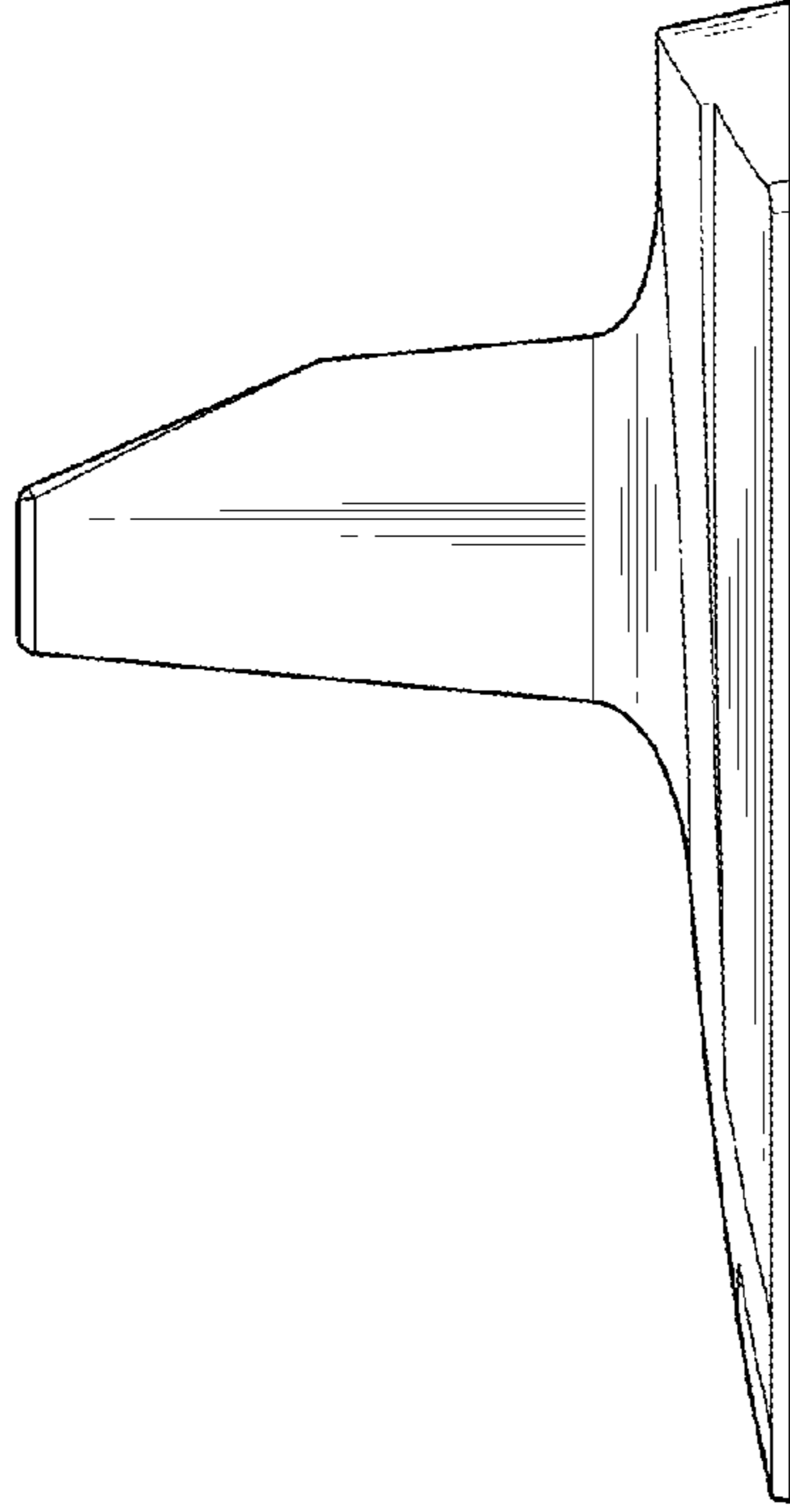


FIG.5

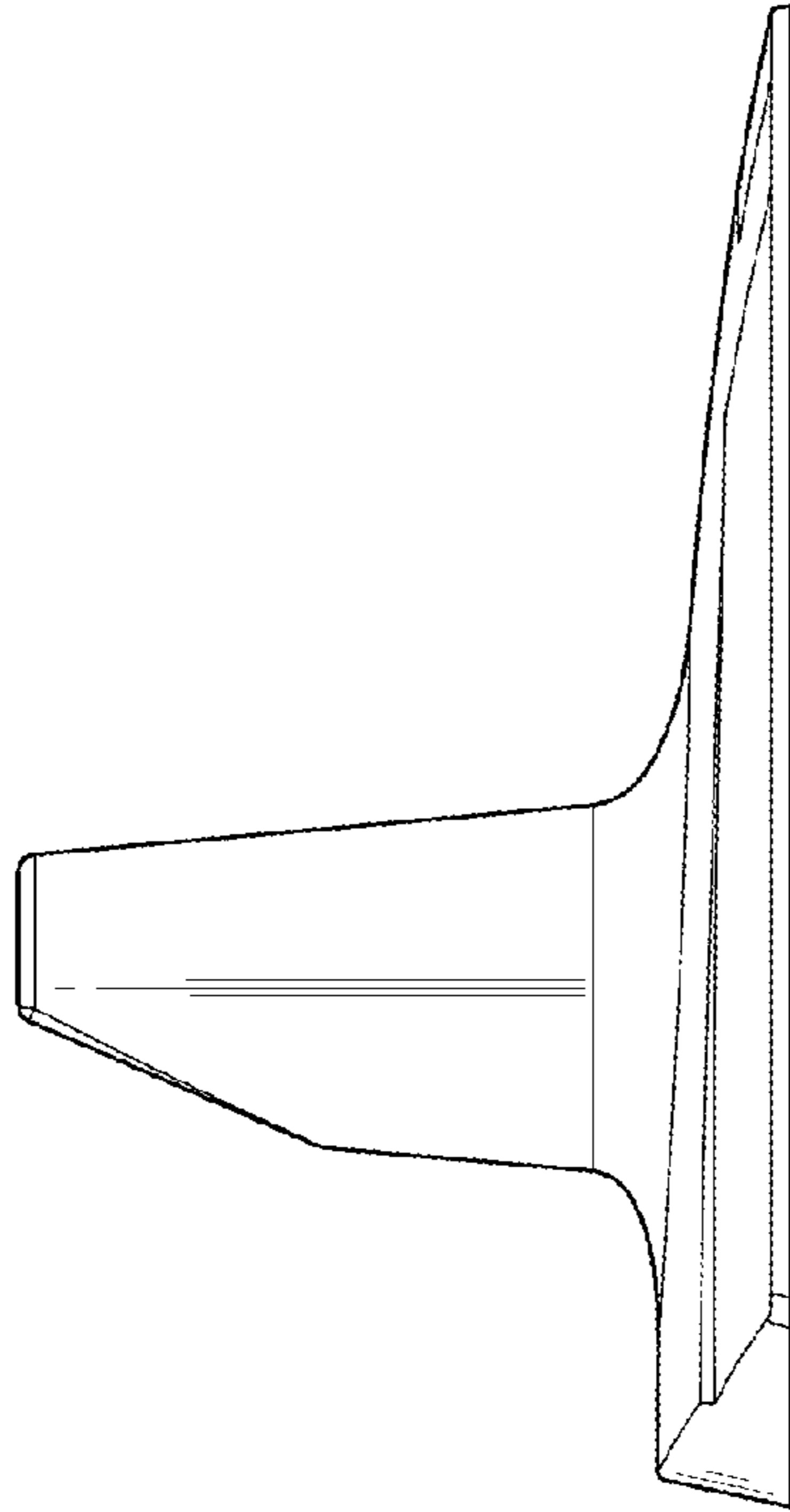


FIG.4

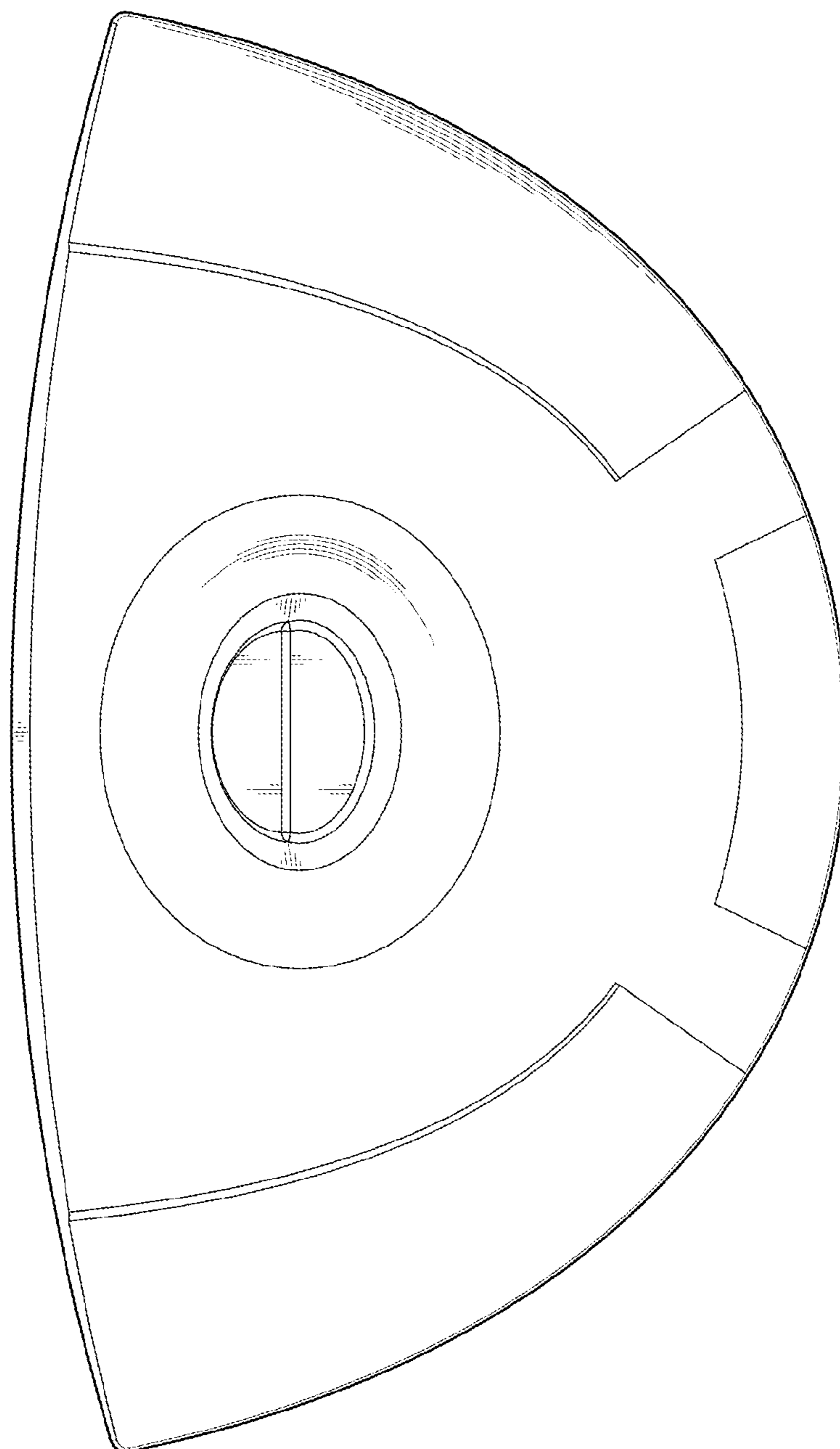


FIG.6

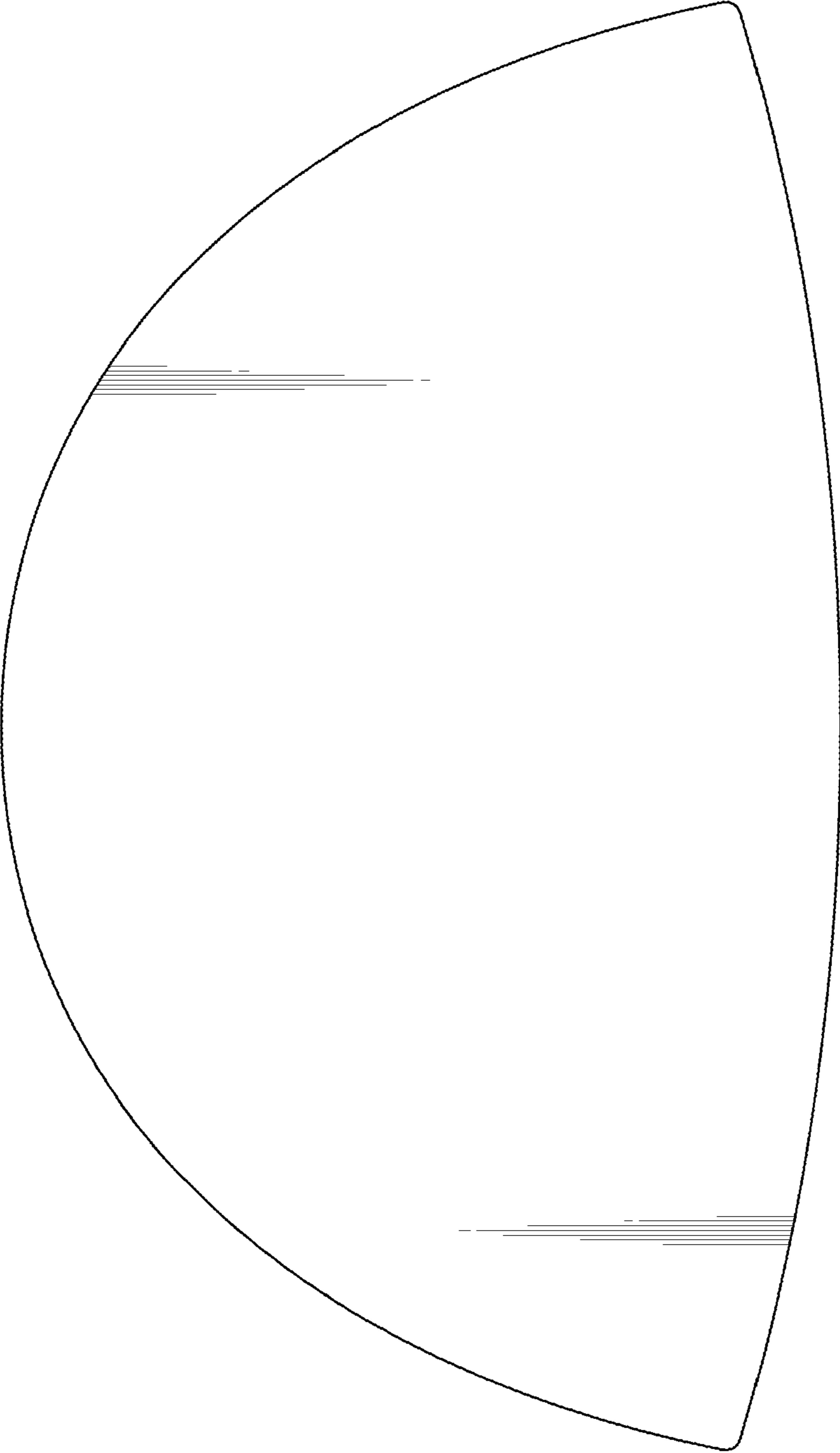


FIG.7

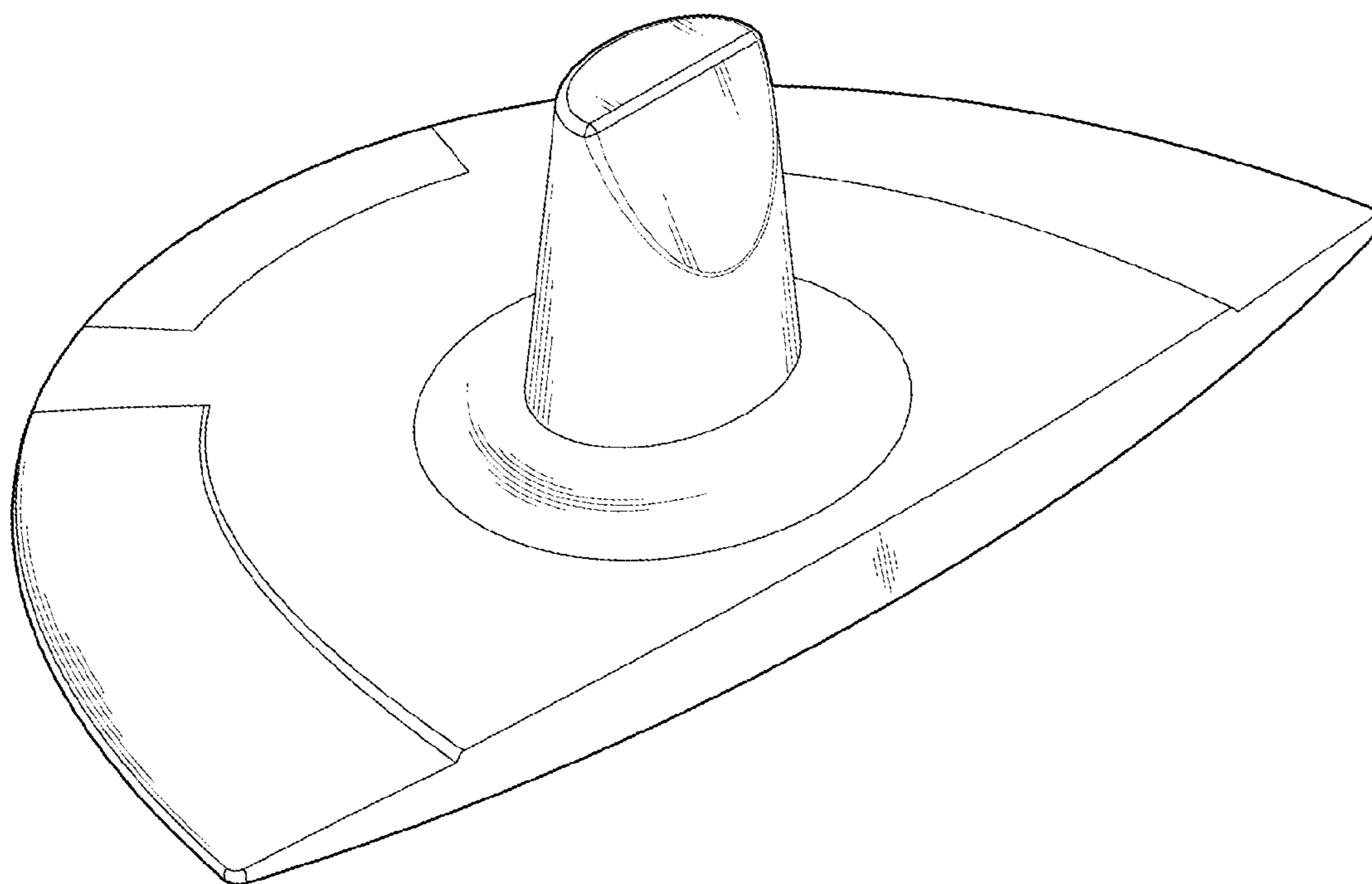


FIG.8

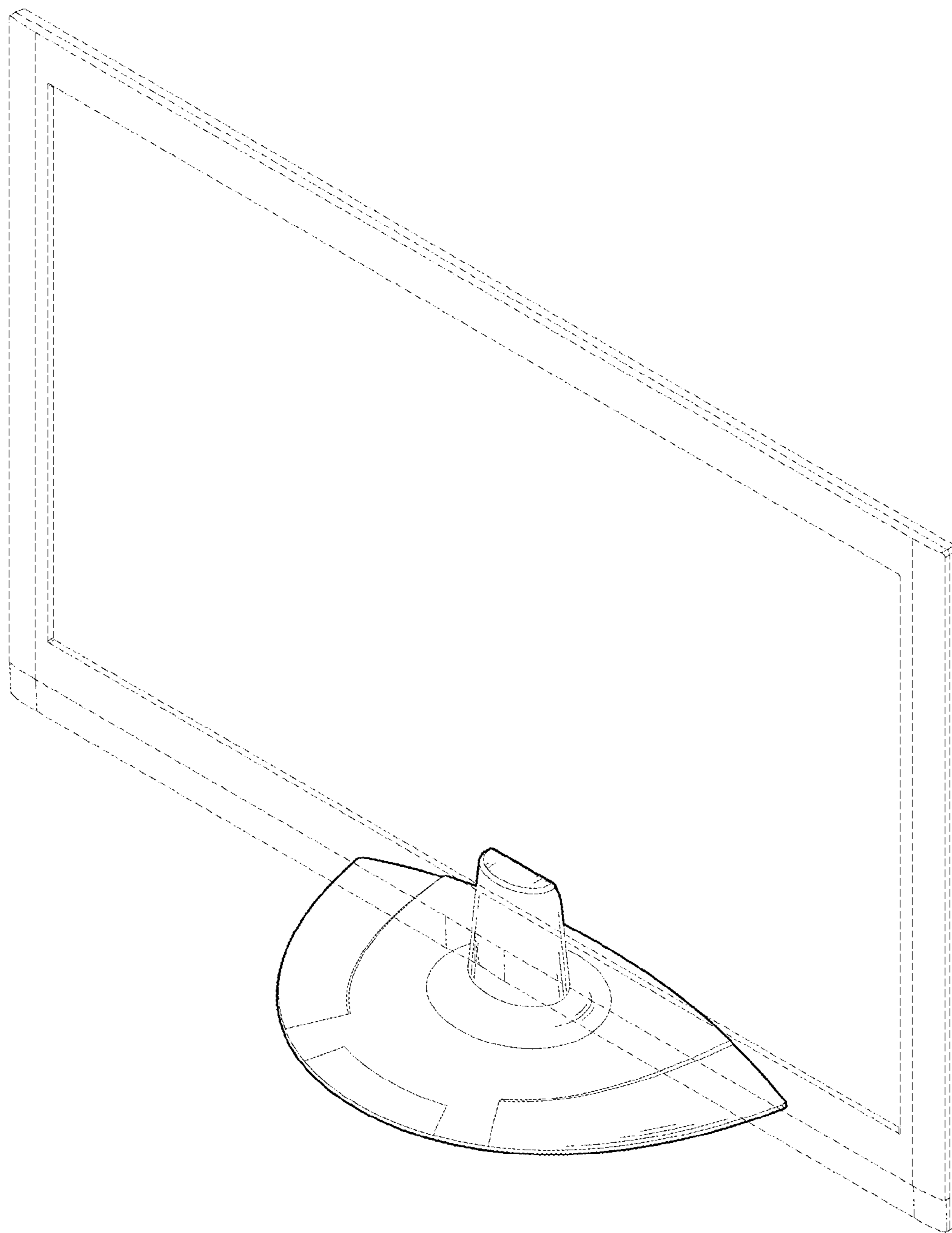


FIG.9