



US00D630222S

(12) **United States Design Patent**
Lin

(10) **Patent No.:** **US D630,222 S**
(45) **Date of Patent:** **** Jan. 4, 2011**

(54) **ELECTRONIC DEVICE HOLDER**
(75) Inventor: **Chung-Hung Lin**, Tainan County (TW)
(73) Assignee: **Jow Tong Technology Co., Ltd.**, Tainan Hsien (TW)
(**) Term: **14 Years**
(21) Appl. No.: **29/362,208**
(22) Filed: **May 21, 2010**

(51) **LOC (9) Cl.** **08-07**
(52) **U.S. Cl.** **D14/447**
(58) **Field of Classification Search** D14/447,
D14/451, 432, 439, 217, 251, 253, 250; D13/107,
D13/108; D3/218, 269; 379/454, 455; 361/679.03;
248/917, 918, 919, 920, 921, 922, 923, 924
See application file for complete search history.

(56) **References Cited**

U.S. PATENT DOCUMENTS

D315,353 S *	3/1991	Greenwood et al.	D14/253
D439,241 S *	3/2001	Barkan	D14/217
D533,174 S *	12/2006	Richter	D14/251
D575,293 S *	8/2008	Derry et al.	D14/447
D583,370 S *	12/2008	Grande	D14/253
D589,962 S *	4/2009	Maruyama et al.	D14/432
D592,188 S *	5/2009	Huang	D14/217
D603,322 S *	11/2009	Nicieja	D12/415

D603,840 S *	11/2009	Lee et al.	D14/217
D610,587 S *	2/2010	Bandringa	D14/447
D616,431 S *	5/2010	Hijmans	D14/253
D618,692 S *	6/2010	Deutsch et al.	D14/447
D620,883 S *	8/2010	Maglica	D13/108

* cited by examiner

Primary Examiner—Angela J Lee

(74) *Attorney, Agent, or Firm*—Rosenberg, Klein & Lee

(57) **CLAIM**

The ornamental design for an electronic device holder, as shown and described.

DESCRIPTION

FIG. 1 is a perspective view of an electronic device holder showing my new design;

FIG. 2 is a front elevational view thereof;

FIG. 3 is a rear elevational view thereof;

FIG. 4 is a left side elevational view thereof;

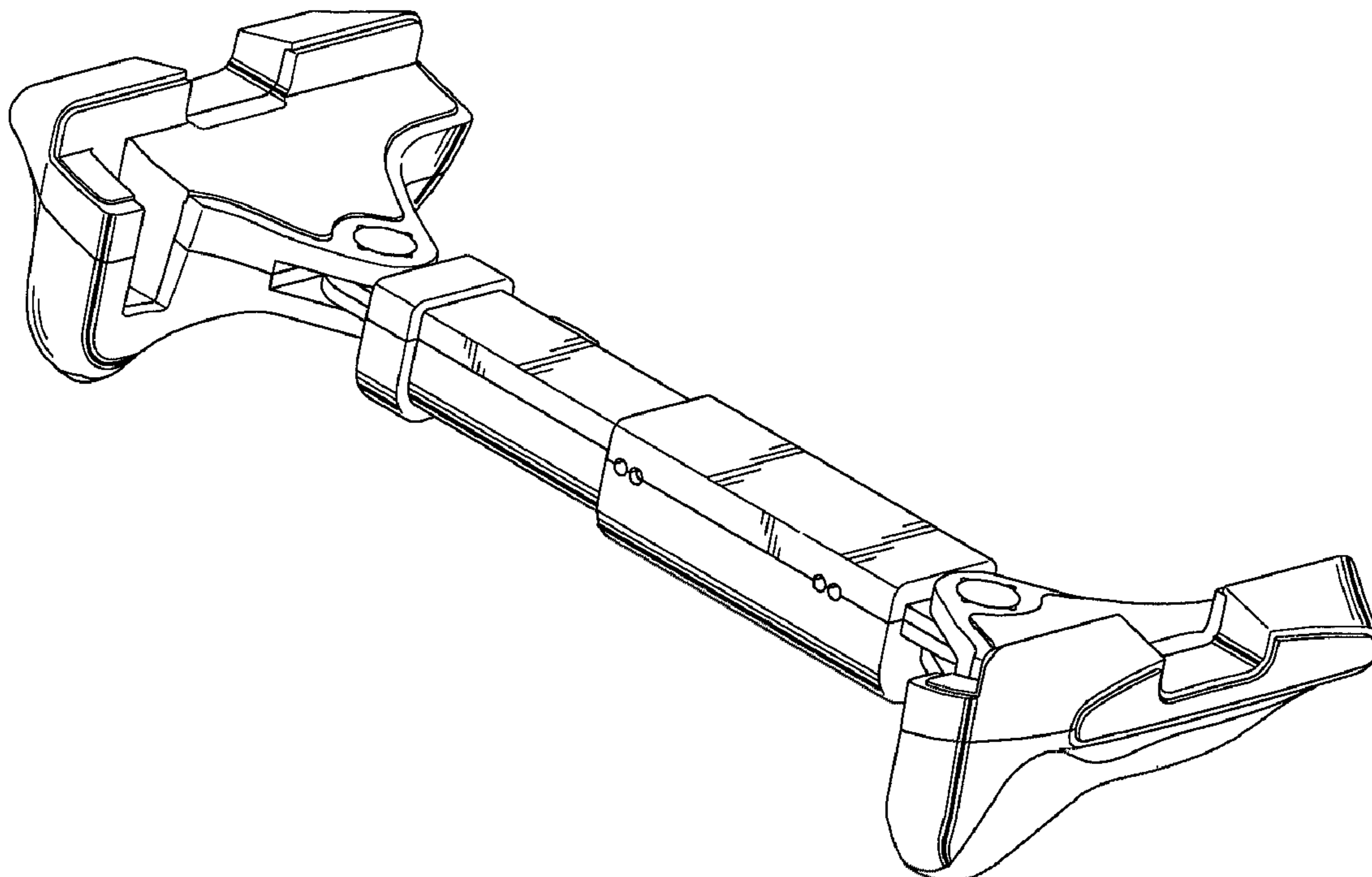
FIG. 5 is a right side elevational view thereof;

FIG. 6 is a top plan view thereof;

FIG. 7 is a bottom plan view thereof; and,

FIG. 8 is a second perspective view of the electronic device holder in an alternate position.

1 Claim, 8 Drawing Sheets



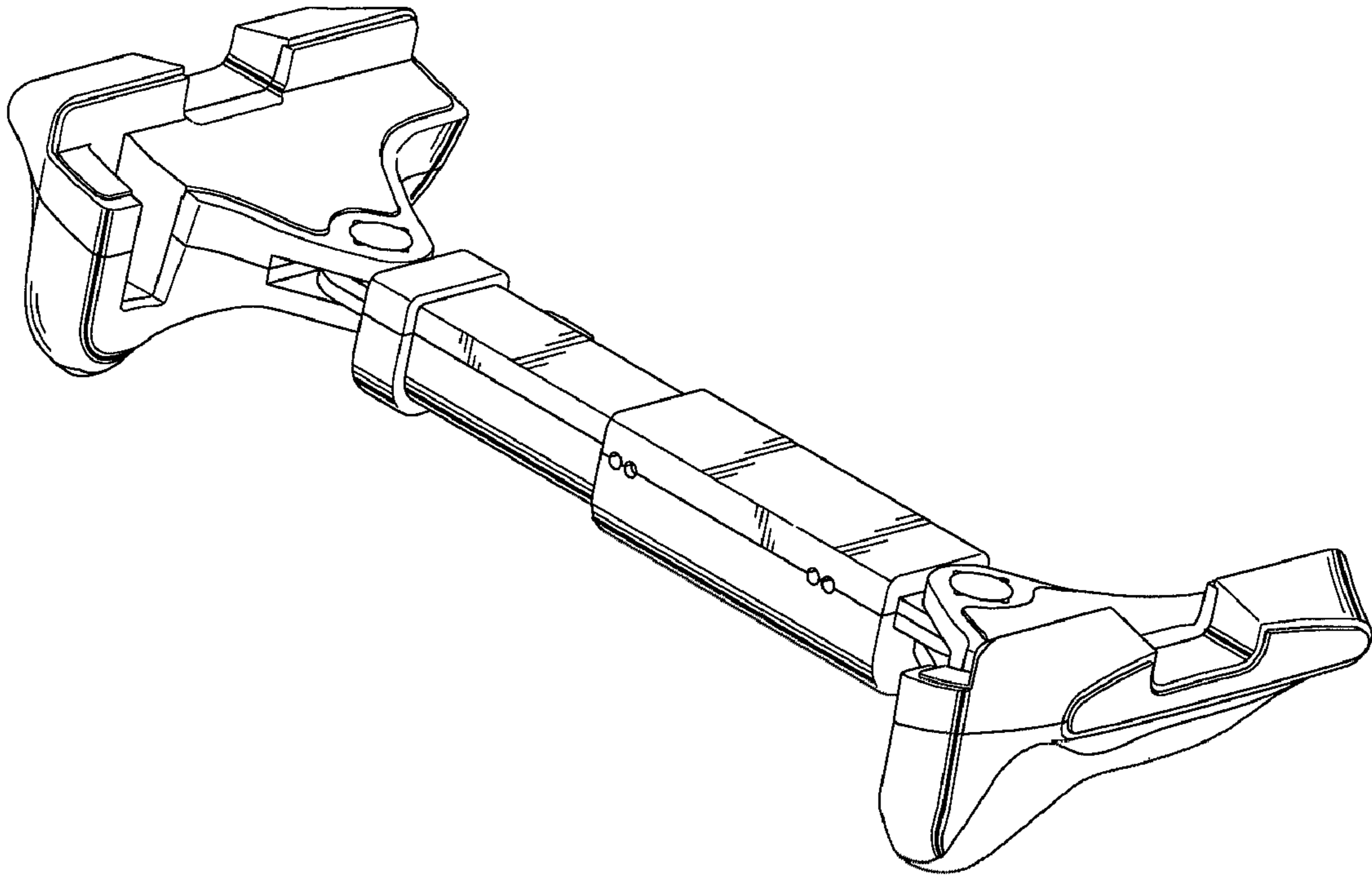


FIG . 1

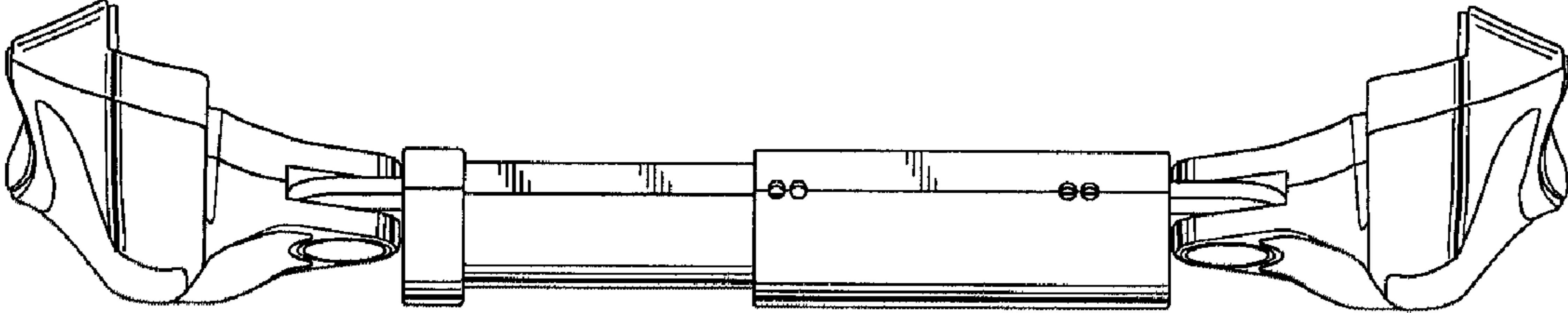


FIG . 2

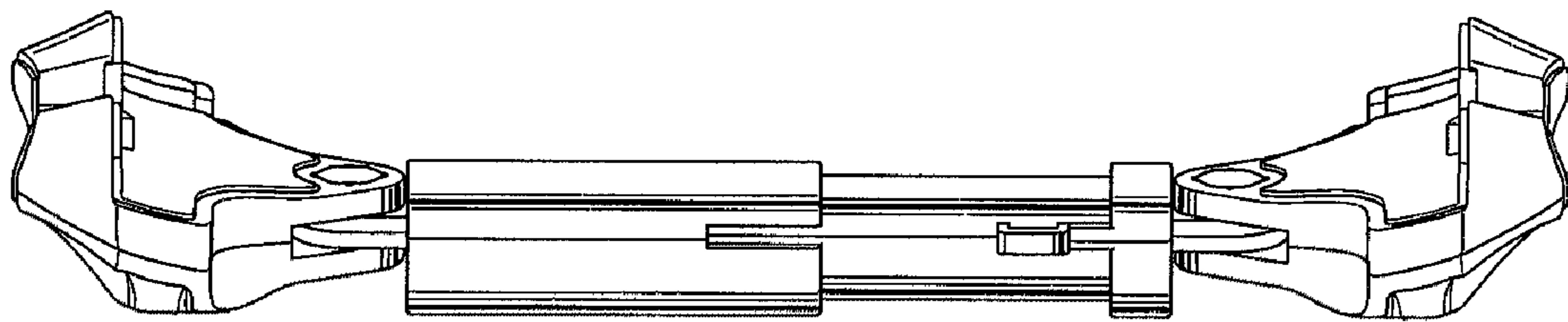


FIG . 3

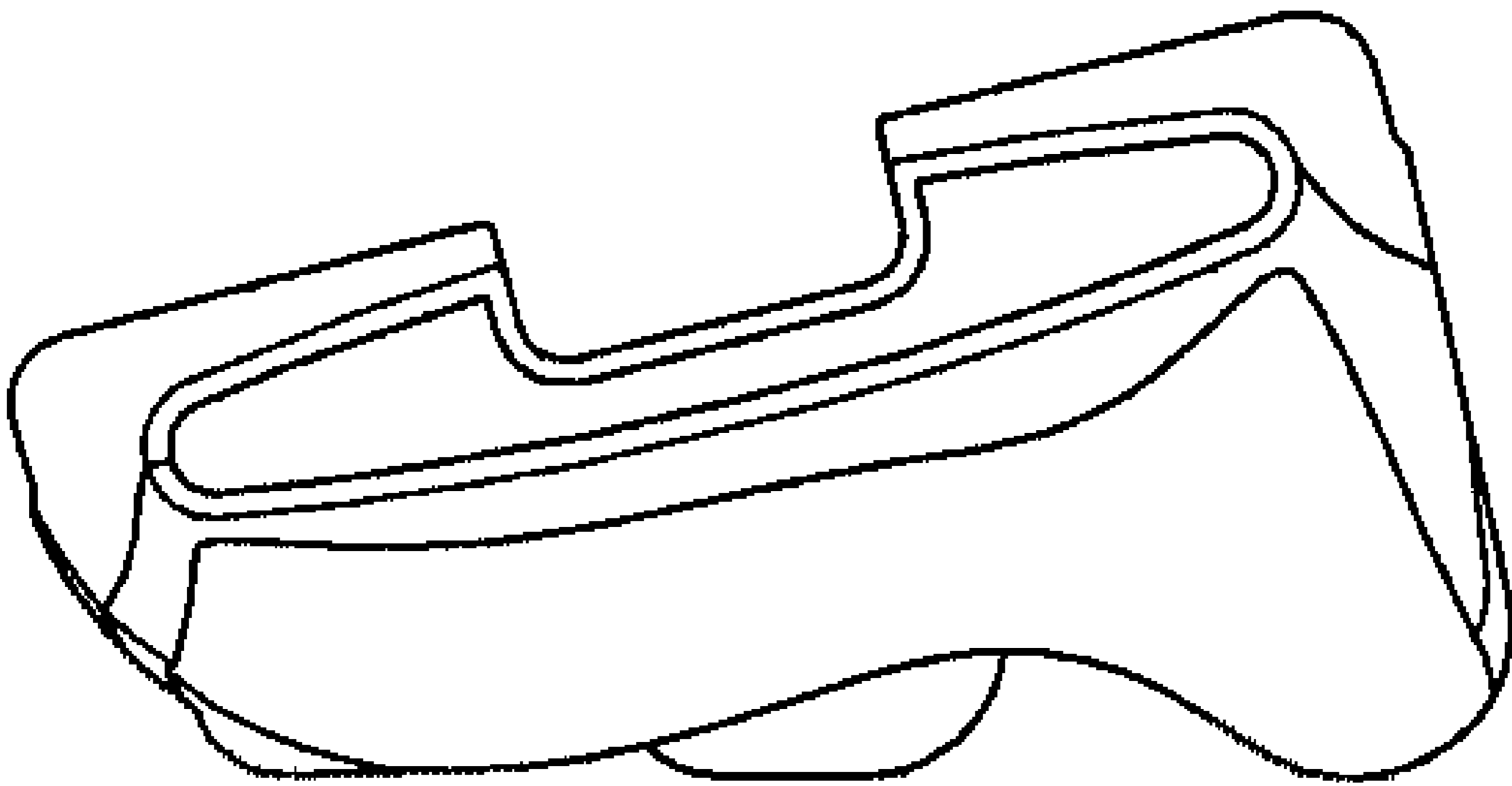


FIG . 4

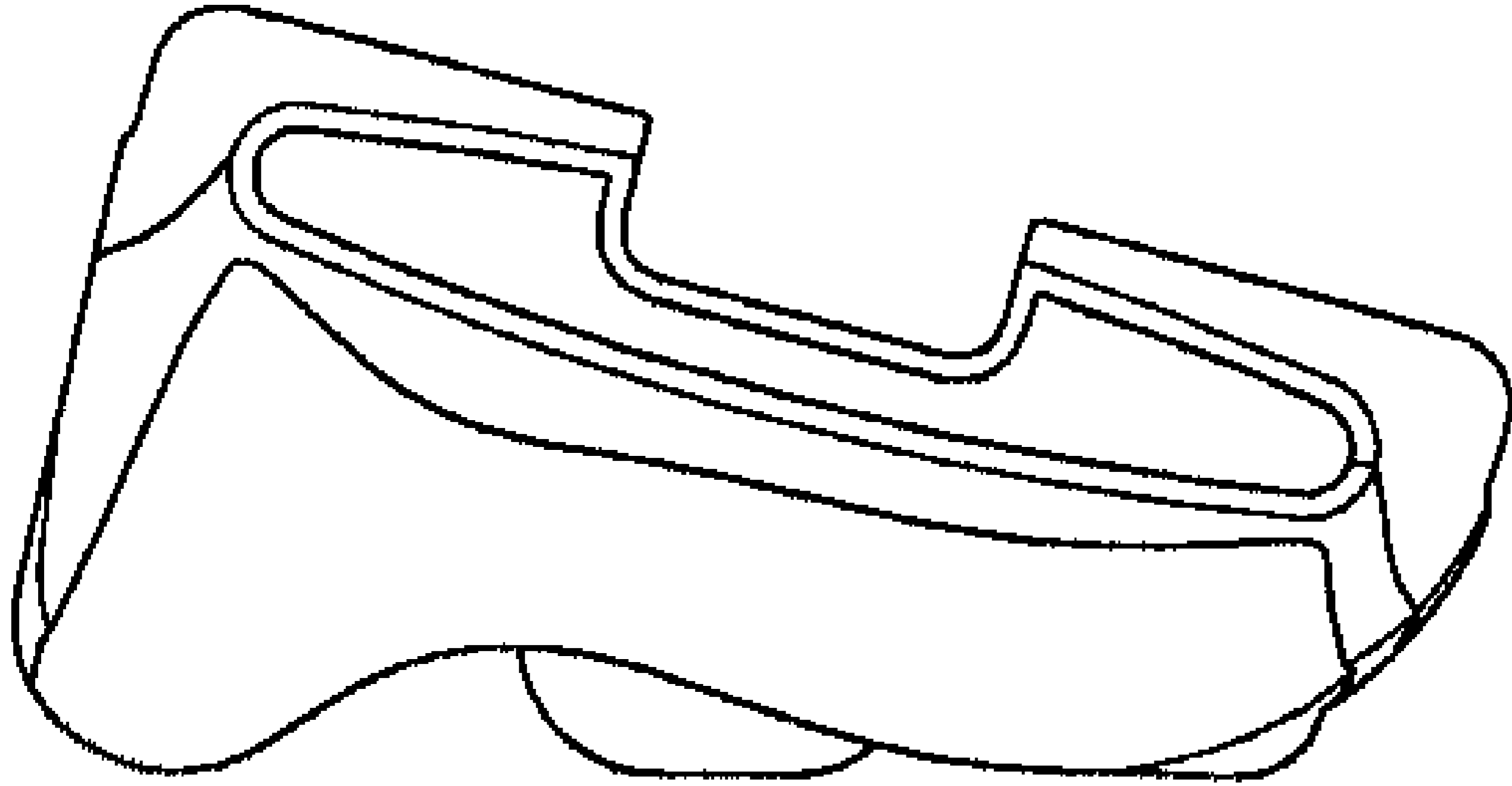


FIG . 5

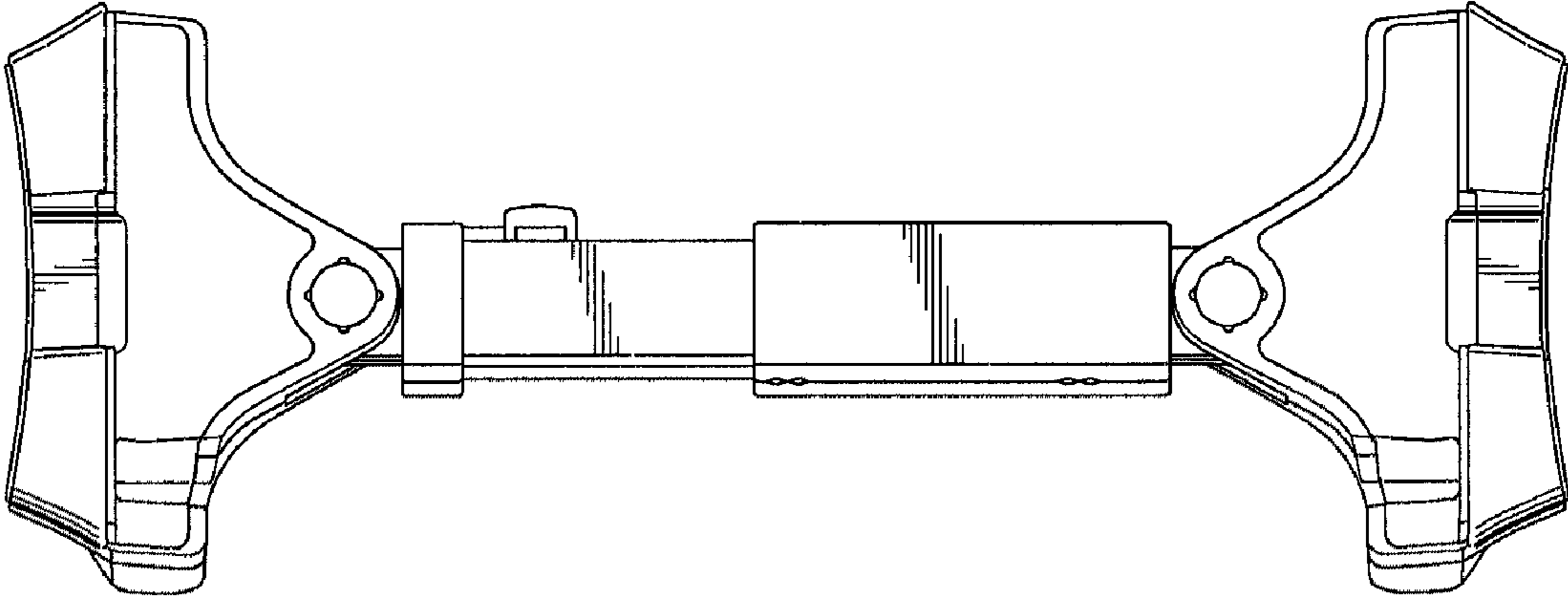


FIG . 6

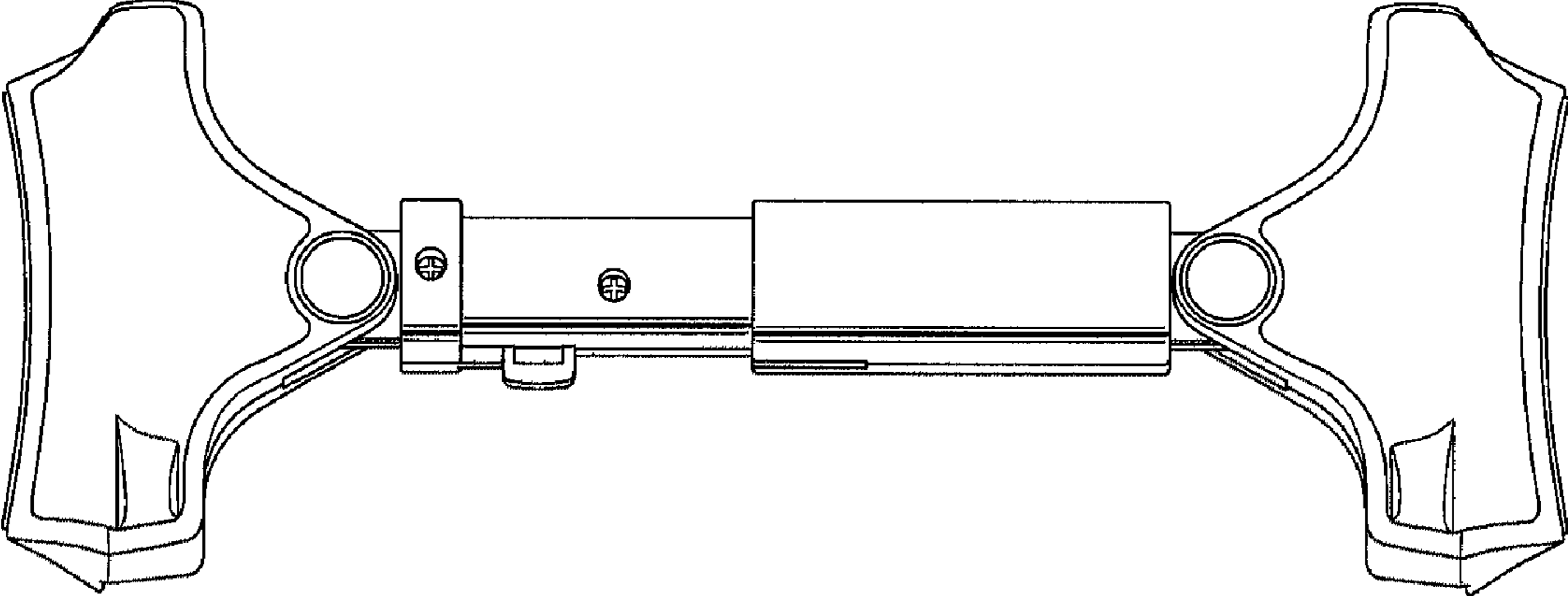


FIG . 7

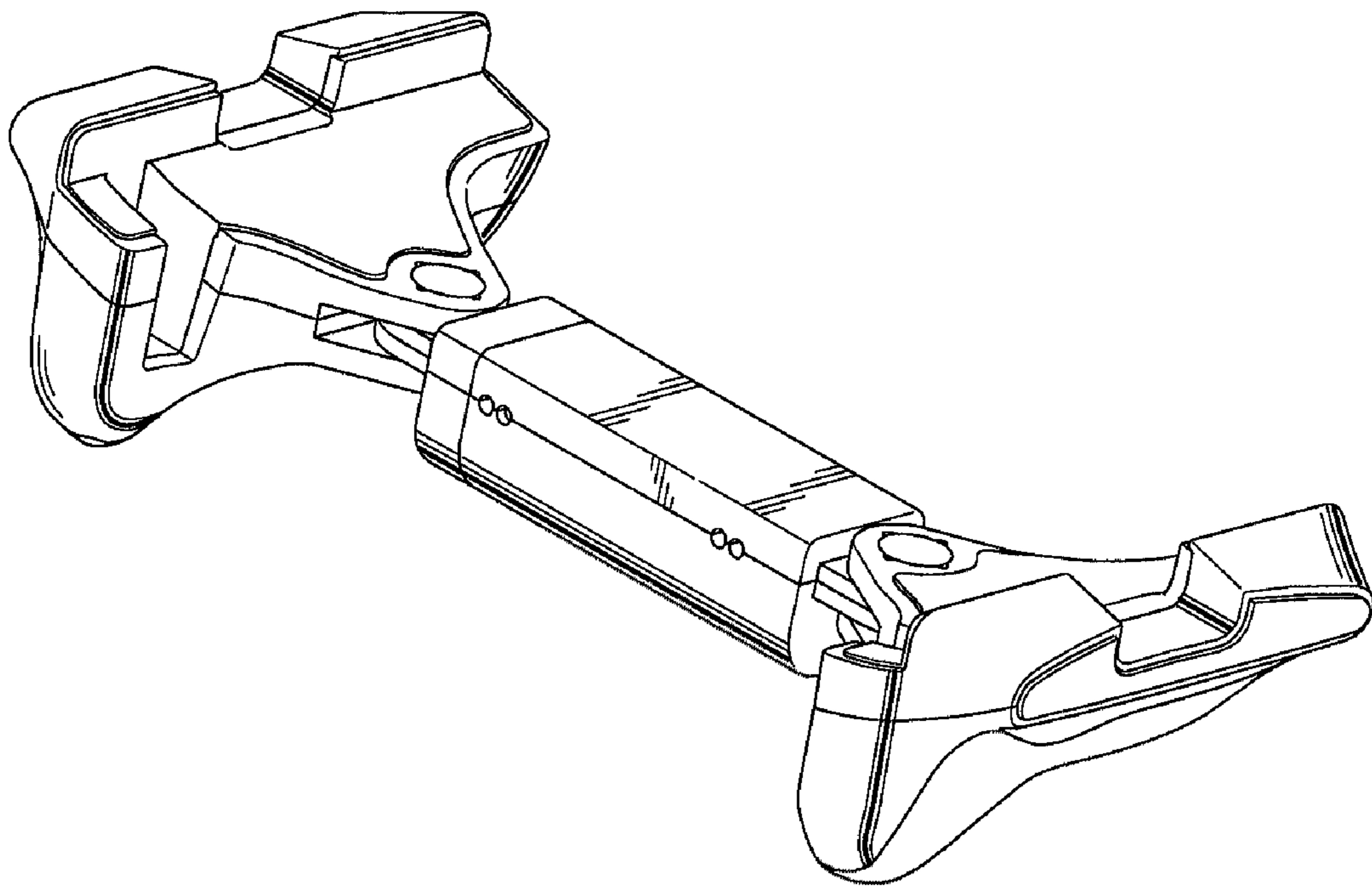


FIG . 8