



US00D630221S

(12) **United States Design Patent**  
**Sogabe et al.**

(10) **Patent No.:** **US D630,221 S**  
(45) **Date of Patent:** **\*\* Jan. 4, 2011**

(54) **COMPUTER**

(75) Inventors: **Takashi Sogabe**, Tokyo (JP); **Kirio Masui**, Tokyo (JP); **Daisuke Iseki**, Tokyo (JP); **Yasuaki Isonaga**, Tokyo (JP); **Soichi Tanaka**, Tokyo (JP)

(73) Assignee: **Sony Corporation**, Tokyo (JP)

(\*\*) Term: **14 Years**

(21) Appl. No.: **29/347,604**

(22) Filed: **Mar. 12, 2010**

**Related U.S. Application Data**

(63) Continuation of application No. 29/311,381, filed on Mar. 4, 2009.

(30) **Foreign Application Priority Data**

Sep. 4, 2008	(JP)	.....	D2008-022855
Sep. 4, 2008	(JP)	.....	D2008-022856
Sep. 4, 2008	(JP)	.....	D2008-022857
Sep. 4, 2008	(JP)	.....	D2008-022858
Sep. 4, 2008	(JP)	.....	D2008-022859
Sep. 4, 2008	(JP)	.....	D2008-022860
Sep. 4, 2008	(JP)	.....	D2008-022862
Sep. 4, 2008	(JP)	.....	D2008-022863
Sep. 4, 2008	(JP)	.....	D2008-022864
Sep. 4, 2008	(JP)	.....	D2008-022865

(51) **LOC (9) Cl.** ..... **14-02**

(52) **U.S. Cl.** ..... **D14/439; D14/315**

(58) **Field of Classification Search** ..... D14/125,  
D14/130, 132, 138 R, 138 AA, 138 AB, 138 AC,  
D14/138 AD, 138 C, 138 G, 239, 315-327,  
D14/341, 345, 353-355, 384, 432, 439-446;  
D18/2, 7; 235/145 A, 145 R; 341/22, 23,  
341/104; 345/168, 169, 173; 361/679.01,  
361/679.1, 679.18, 679.31, 679.55, 679.56,  
361/679.57

See application file for complete search history.

(56) **References Cited**

U.S. PATENT DOCUMENTS

D346,164 S 4/1994 Shirakawa et al.  
(Continued)

FOREIGN PATENT DOCUMENTS

JP D1094449 10/2000  
(Continued)

OTHER PUBLICATIONS

Taiwane Office Action mailed on May 14, 2009 (10 sheets).

*Primary Examiner*—Cathron C Brooks

*Assistant Examiner*—Deanna Fluegeman

(74) *Attorney, Agent, or Firm*—Rader, Fishman & Grauer PLLC

(57) **CLAIM**

The ornamental design for a computer, as shown and described.

**DESCRIPTION**

FIG. 1 is a perspective view of a computer showing our new design;

FIG. 2 is a front elevational view thereof;

FIG. 3 is a rear elevational view thereof;

FIG. 4 is a top plan view thereof; and

FIG. 5 is a bottom plan view thereof.

FIG. 6 is a right side elevational view thereof;

FIG. 7 is an enlarged partial perspective view thereof;

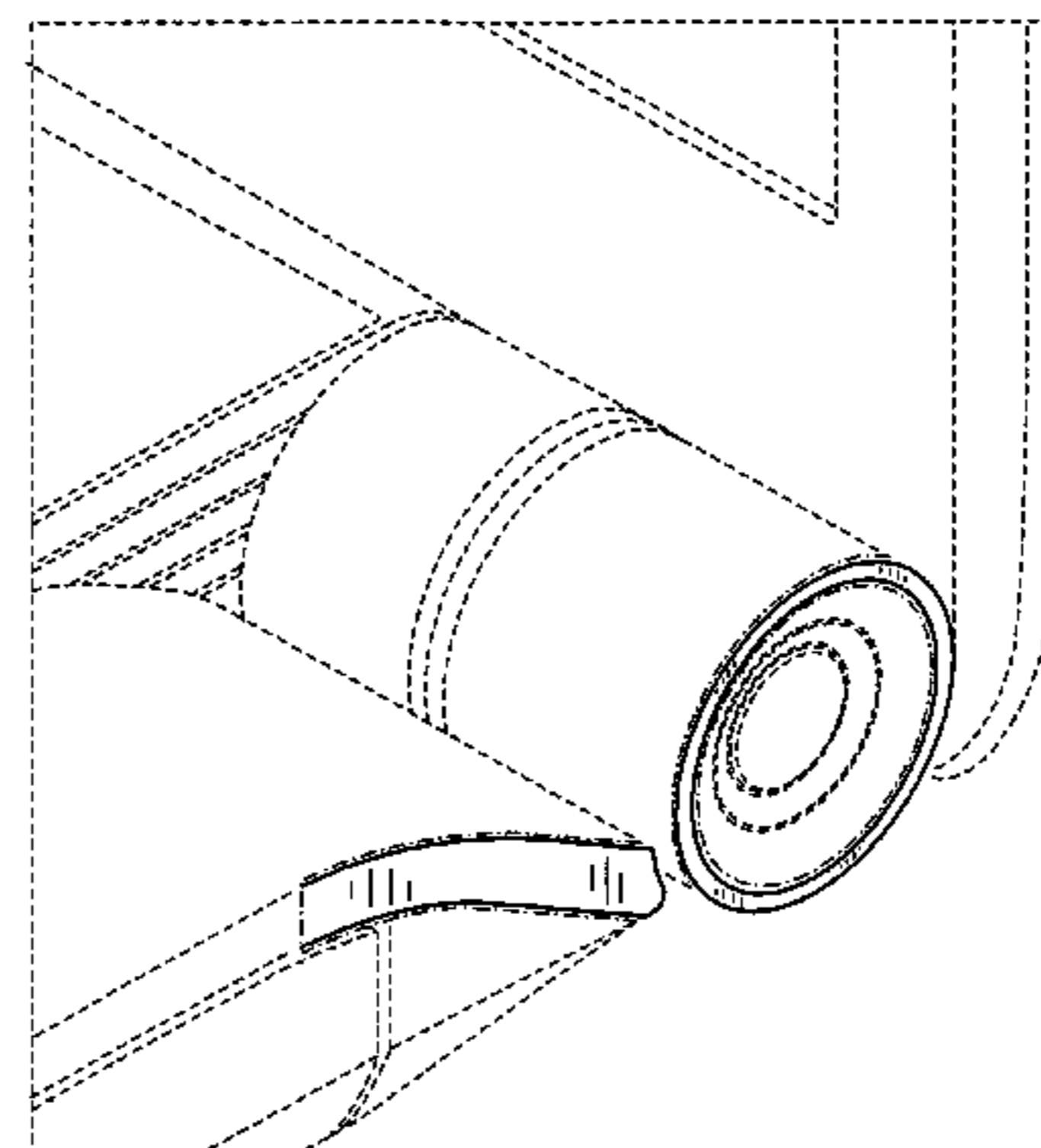
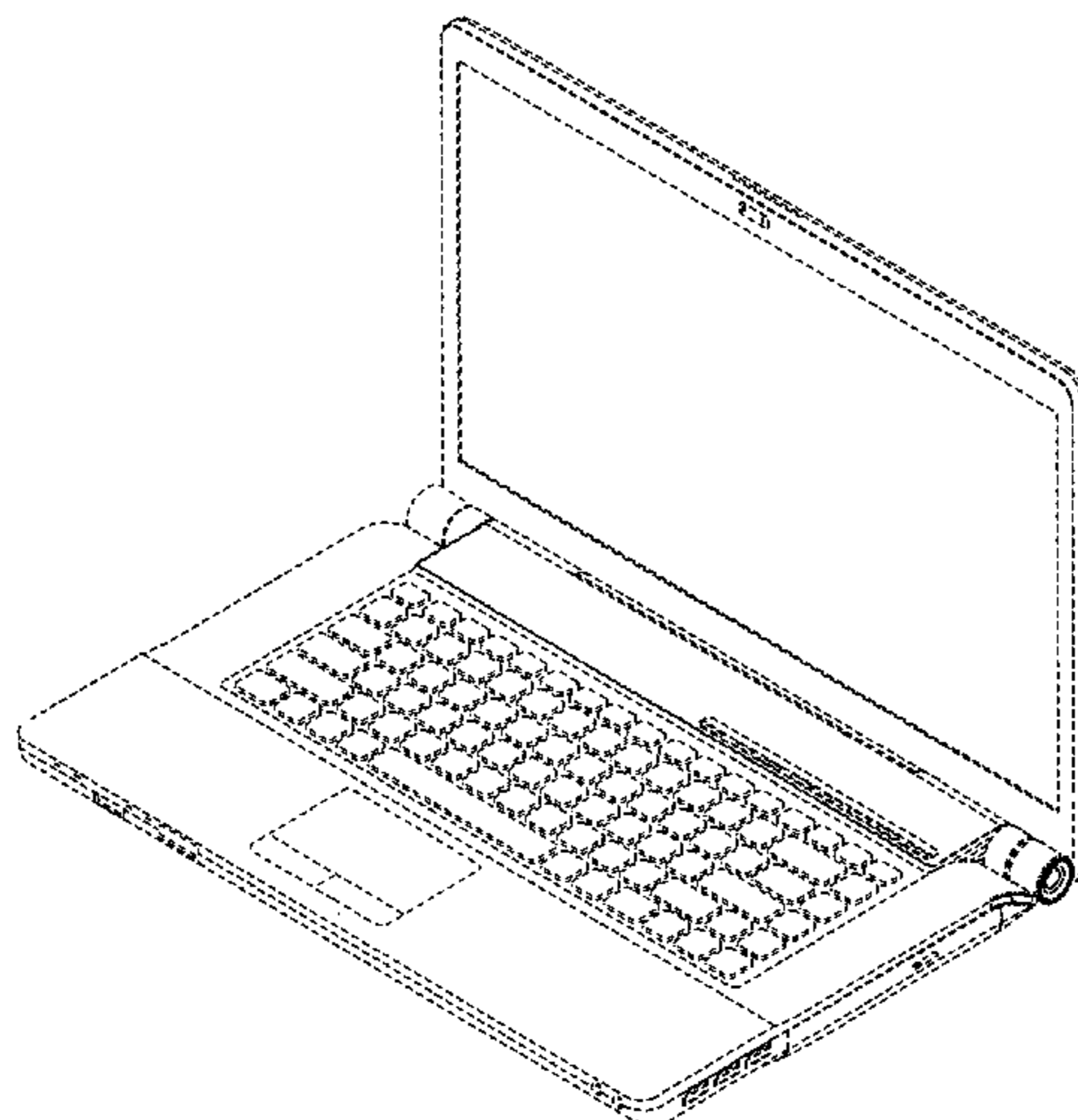
FIG. 8 is an enlarged partial top plan view thereof;

FIG. 9 is an enlarged partial bottom plan view thereof; and,

FIG. 10 is an enlarged partial right side elevational view thereof.

The evenly-spaced broken lines in the drawings illustrate unclaimed portions of the computer and form no part of the claimed design. Dot-dash broken lines define boundaries of, but are not included in, the claimed design.

**1 Claim, 8 Drawing Sheets**



# US D630,221 S

Page 2

## U.S. PATENT DOCUMENTS

D354,947 S 1/1995 Peart  
D363,505 S 10/1995 Takahata  
D378,750 S 4/1997 Inukai  
D415,474 S 10/1999 Goto  
D438,184 S 2/2001 Suzuki et al.  
D438,538 S 3/2001 Ogasawara  
D452,861 S \* 1/2002 Ogasawara ..... D14/322  
D475,987 S 6/2003 Lee et al.  
D477,316 S 7/2003 Ogasawara  
D486,809 S 2/2004 Hwang  
D488,144 S 4/2004 Hwang  
D491,546 S 6/2004 Tien et al.  
D494,189 S 8/2004 Ko et al.  
D494,948 S 8/2004 Cho  
D497,893 S 11/2004 Hwang et al.  
D501,472 S \* 2/2005 Kumano ..... D14/318  
D516,065 S \* 2/2006 Lee et al. .... D14/317  
D519,967 S 5/2006 Wei et al.  
D547,309 S \* 7/2007 Yoon ..... D14/315  
D547,310 S \* 7/2007 Yoon ..... D14/315  
D549,678 S 8/2007 Kim et al.  
D563,358 S 3/2008 Baik et al.  
7,349,203 B2 \* 3/2008 Jobs et al. .... 361/679.55  
D568,858 S 5/2008 Han et al.  
D572,222 S 7/2008 Choi et al.

D577,013 S \* 9/2008 Harris et al. .... D14/317  
D580,425 S \* 11/2008 Miyata et al. .... D14/248  
D580,426 S \* 11/2008 Miyata et al. .... D14/248  
D585,900 S \* 2/2009 Kumano ..... D14/439  
D600,687 S \* 9/2009 Smith et al. .... D14/315  
D603,395 S \* 11/2009 Hong et al. .... D14/315  
D606,988 S \* 12/2009 Andre et al. .... D14/315  
D608,777 S 1/2010 Yoon  
7,710,403 B2 \* 5/2010 Rosenberg et al. .... 345/173  
2007/0247793 A1 \* 10/2007 Carnevali ..... 361/681  
2009/0195418 A1 \* 8/2009 Oh ..... 341/34  
2010/0103111 A1 \* 4/2010 Wu et al. .... 345/169

## FOREIGN PATENT DOCUMENTS

JP D1202234 2/2004  
JP D1198520 S 3/2004  
JP D1216904 7/2004  
JP D1216916 7/2004  
JP D1216917 S 7/2004  
JP D1229893 12/2004  
JP D1258364 11/2005  
JP D1259011 11/2005  
JP D1259016 11/2005  
JP D1319371 S 1/2008  
JP D1326246 3/2008

\* cited by examiner

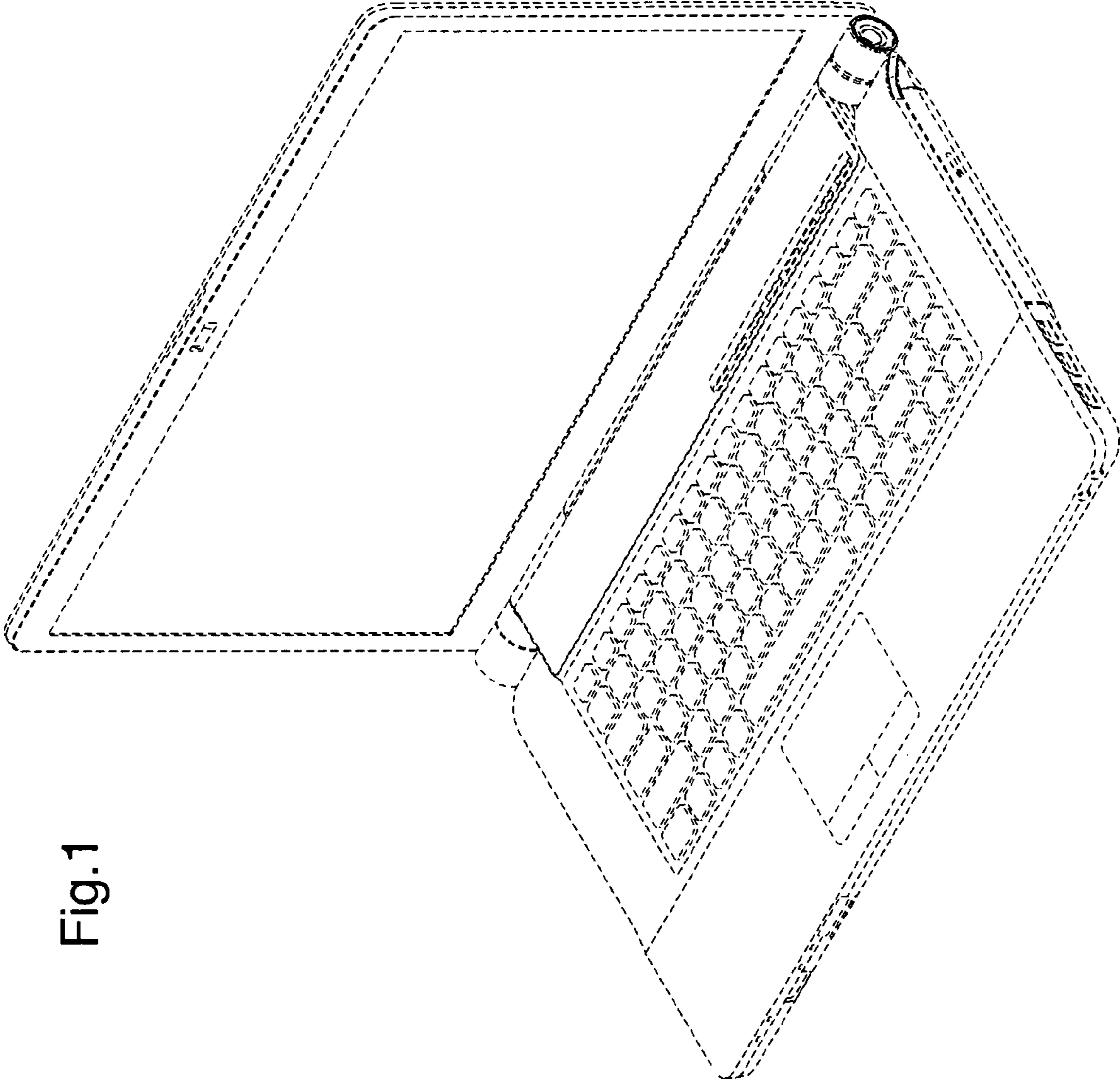


Fig.1

Fig.2

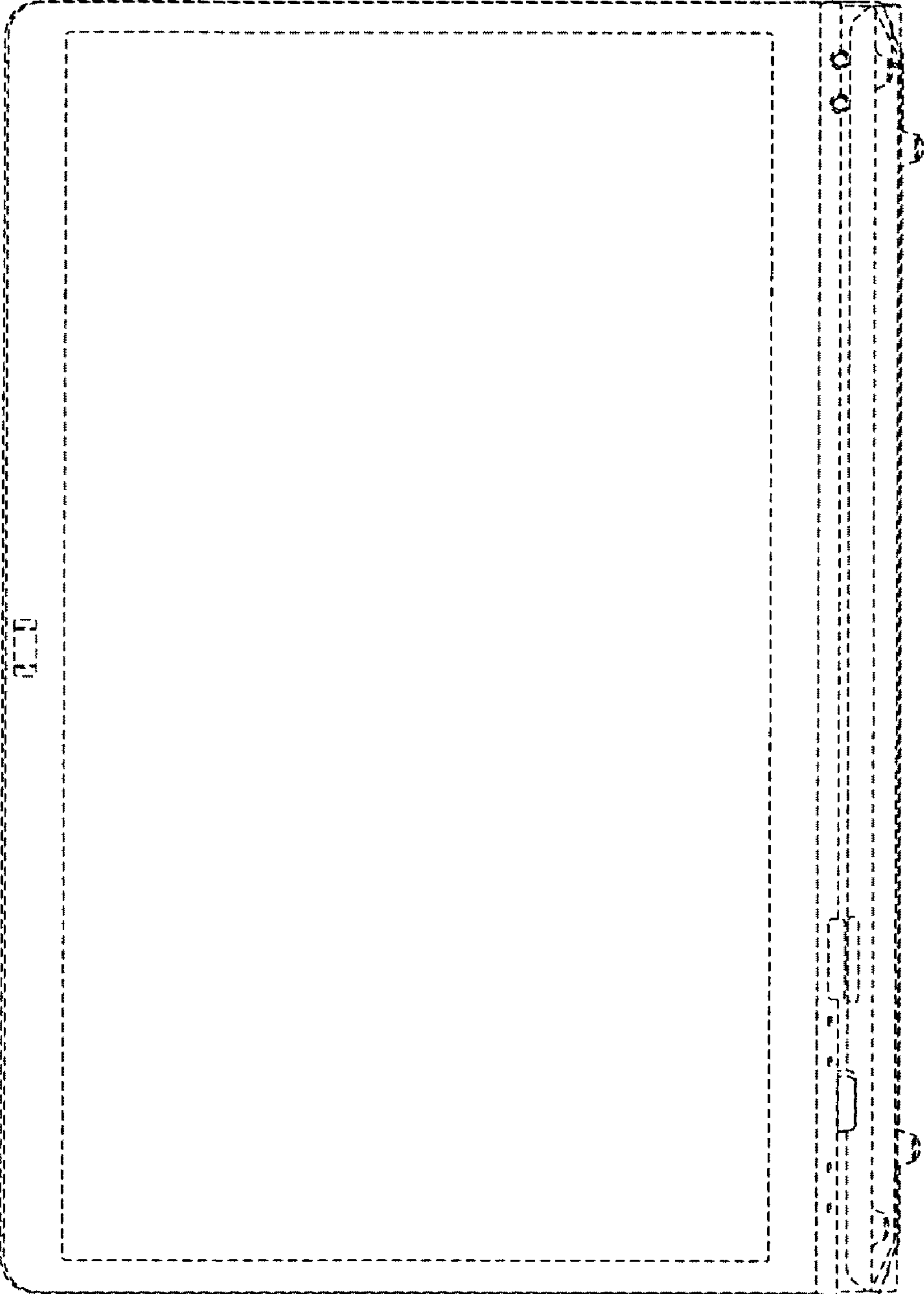




Fig.3

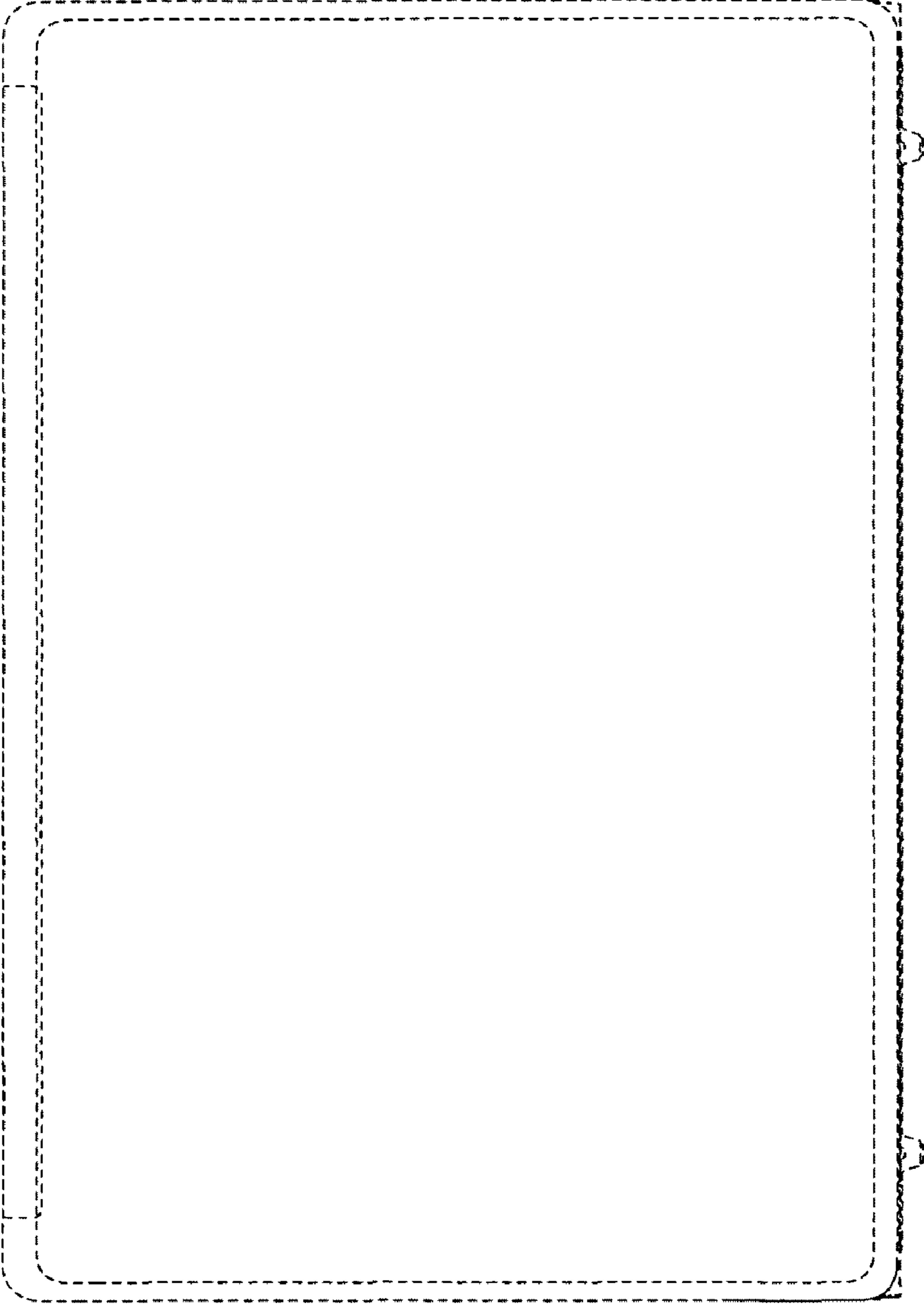


Fig.4

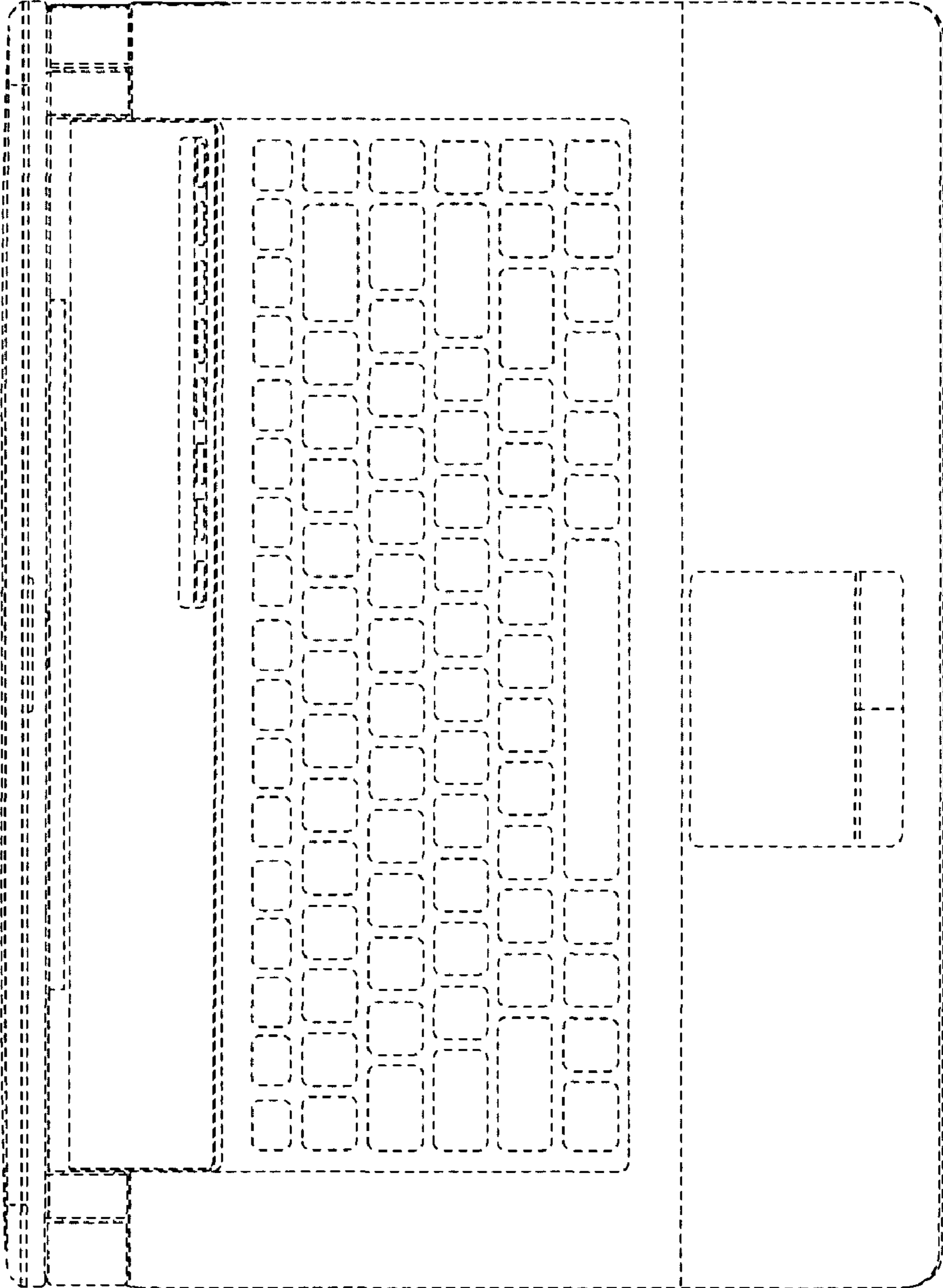


Fig.5

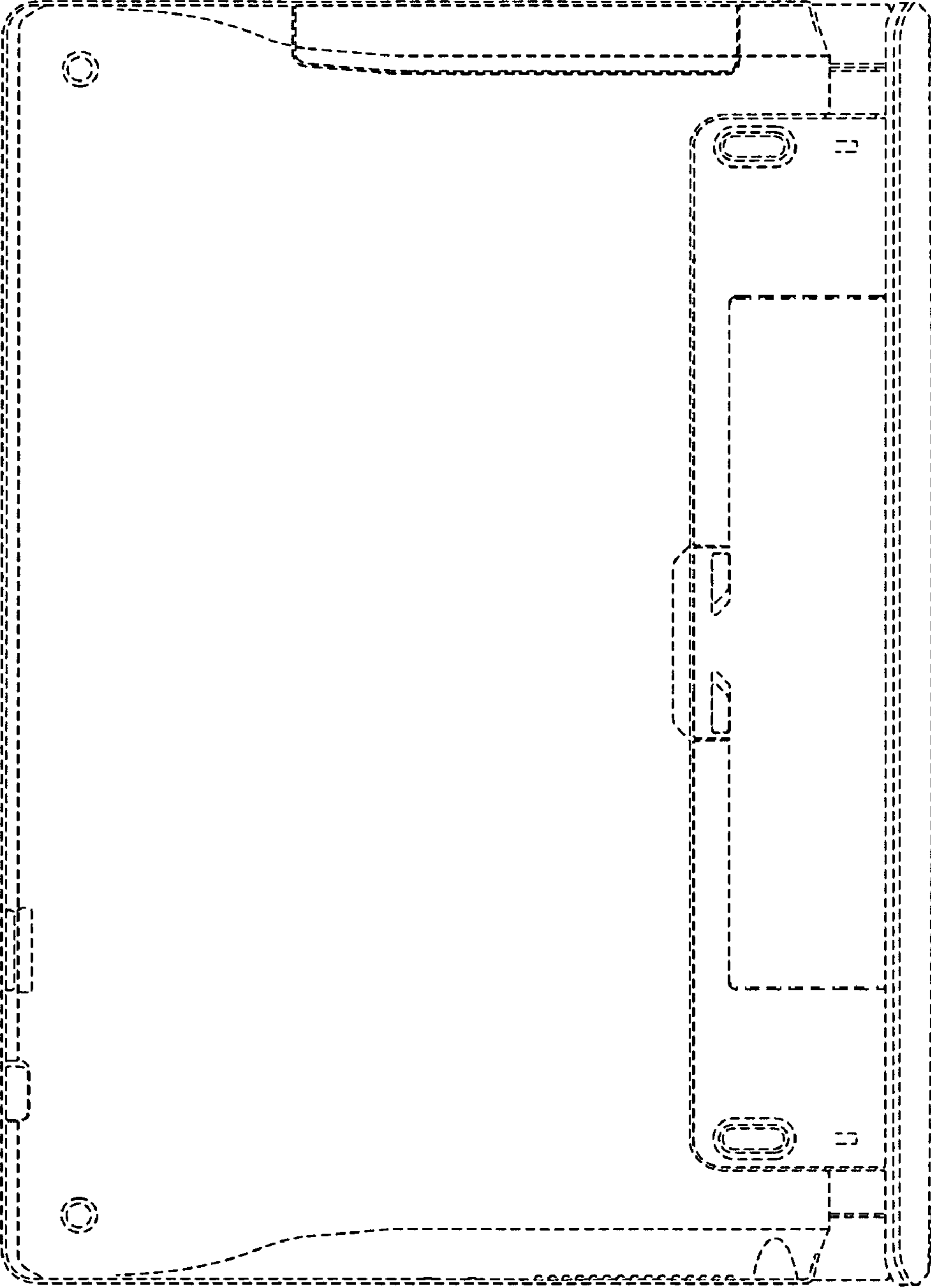


Fig.6

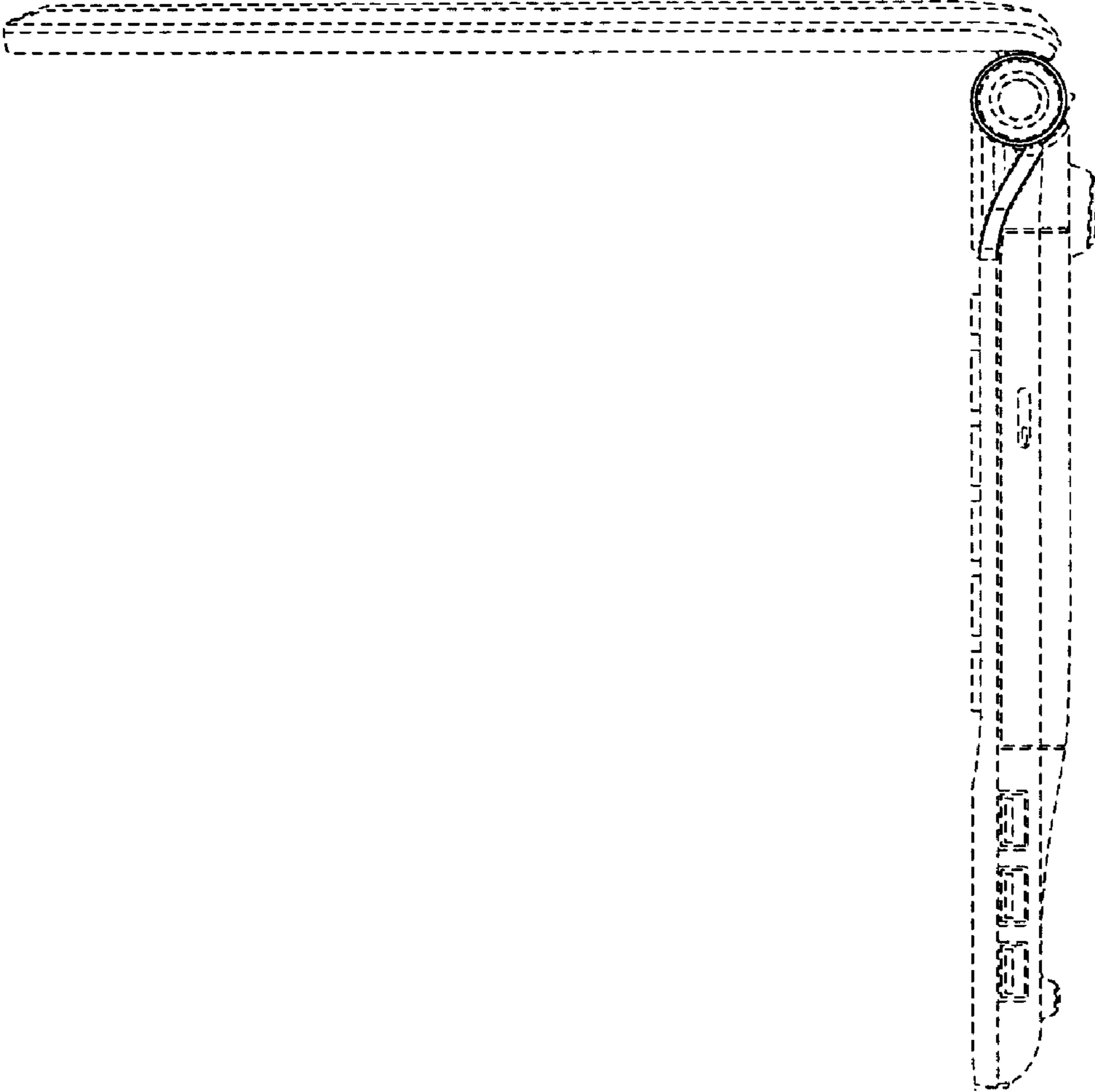




Fig.7

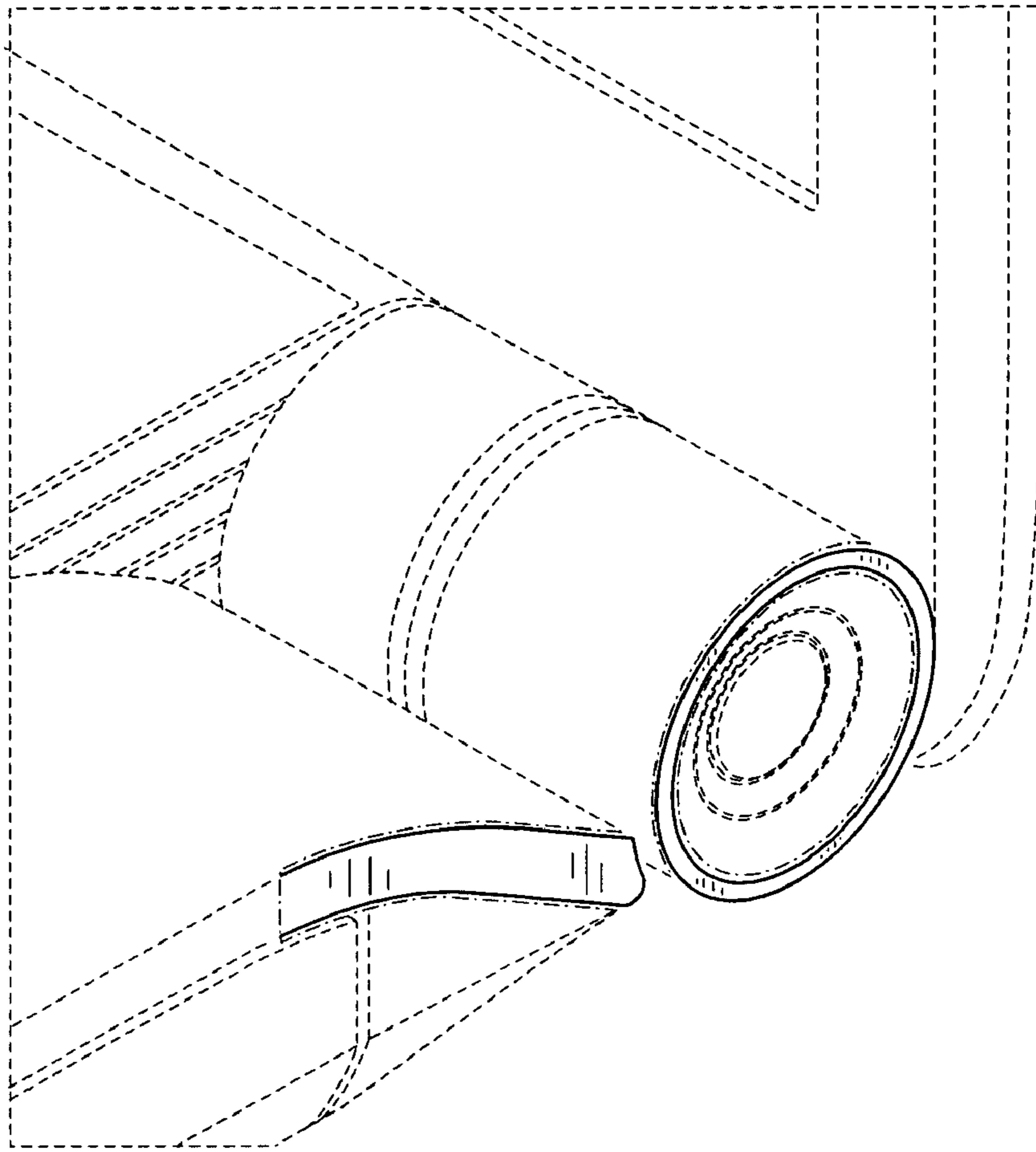


Fig.8

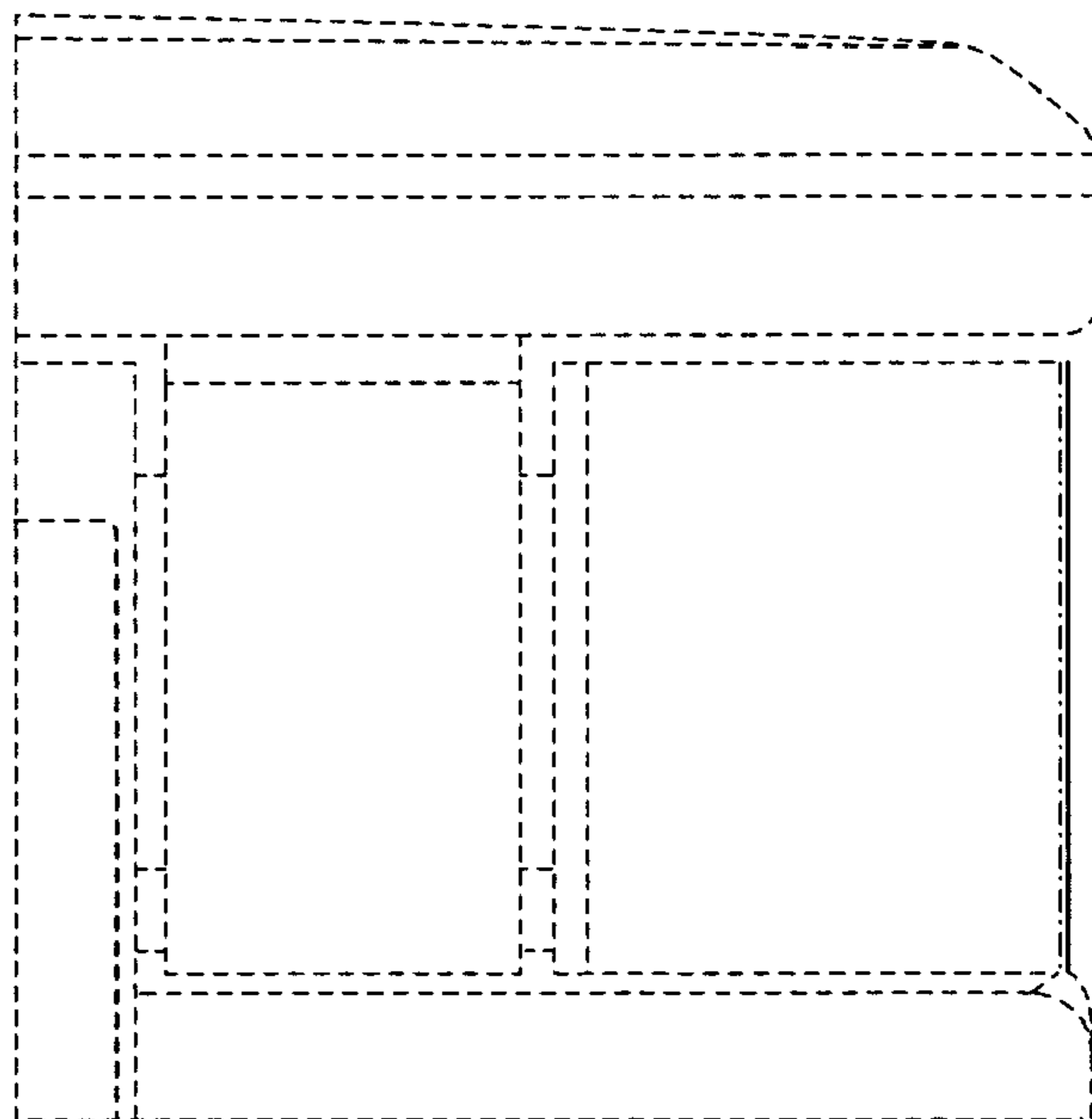


Fig.9

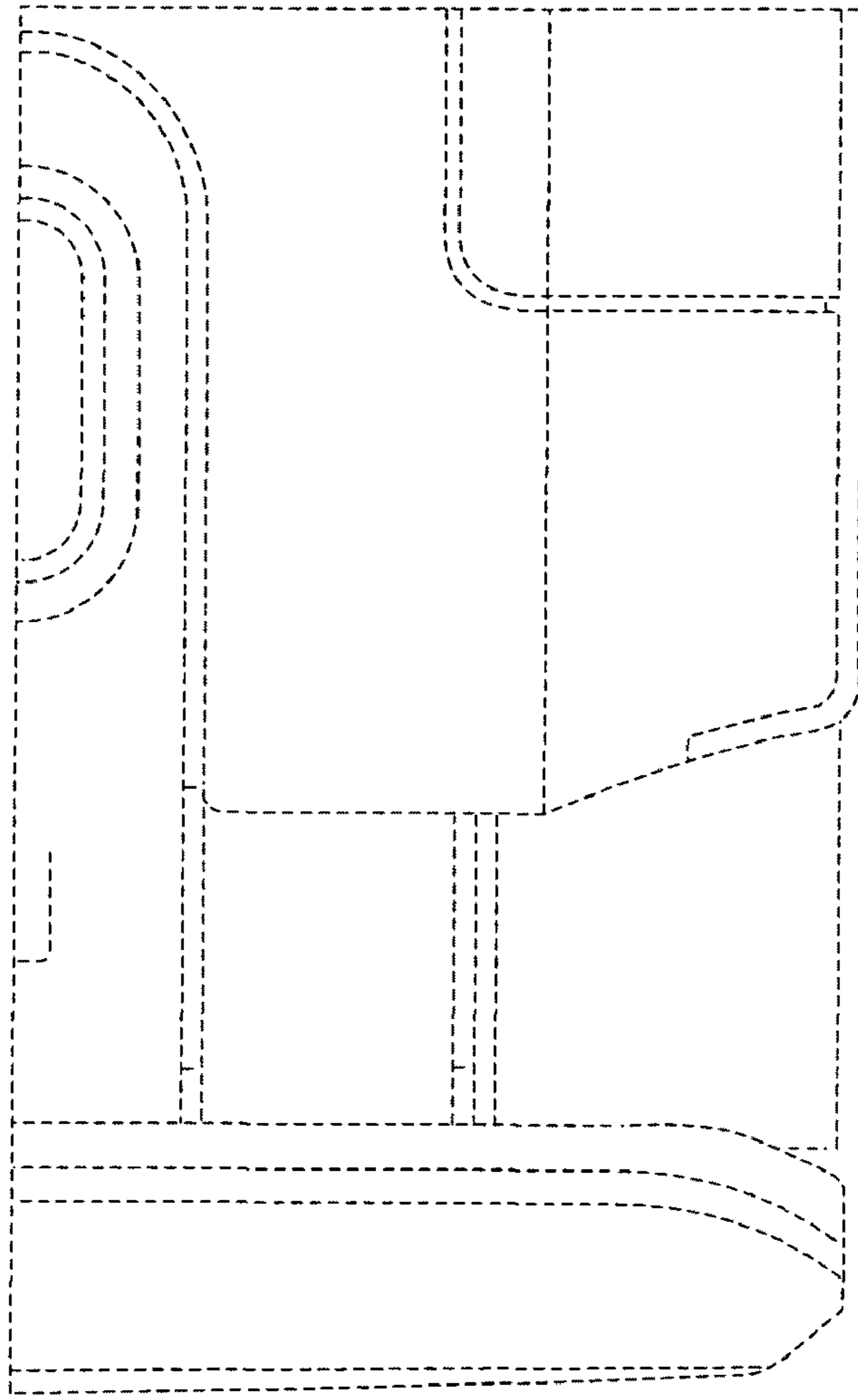


Fig.10

